



US00D977452S

(12) **United States Design Patent**
Chen

(10) **Patent No.:** **US D977,452 S**

(45) **Date of Patent:** **** Feb. 7, 2023**

(54) **HEADPHONE**

(71) Applicant: **Shenzhen Shenggao Network
Technology Co., Ltd., Shenzhen (CN)**

(72) Inventor: **Xiongbn Chen, Shenzhen (CN)**

(**) Term: **15 Years**

(21) Appl. No.: **29/779,782**

(22) Filed: **Apr. 21, 2021**

(51) **LOC (14) Cl.** **14-01**

(52) **U.S. Cl.**
USPC **D14/205**

(58) **Field of Classification Search**
USPC D14/205, 206; D29/112; 2/209;
381/380–381
CPC H04R 25/00; H04R 25/02; H04R 1/1066;
H04R 1/1016; H04R 5/033; H04R
5/0335; H04R 1/1008; H04R 1/105;
H04R 1/1091
See application file for complete search history.

(56) **References Cited**

U.S. PATENT DOCUMENTS

2,009,325	A *	7/1935	Sachs	A41F 9/002 2/338
2,082,346	A *	6/1937	Lavenson	B44C 5/00 428/222
5,406,037	A *	4/1995	Nageno	H04R 5/0335 181/129
6,154,539	A *	11/2000	Pitel	H04M 1/05 379/430
7,106,873	B1 *	9/2006	Harrison	H04R 25/48 381/381
7,317,810	B2 *	1/2008	Ohashi	H04R 9/025 381/186
7,519,196	B2 *	4/2009	Bech	H04R 1/105 381/384
D706,244	S *	6/2014	Goransson	D14/225
D716,762	S *	11/2014	Greve	D14/206

D719,136	S *	12/2014	Schaal	D14/206
D721,052	S *	1/2015	Carr	D14/205
D727,286	S *	4/2015	Galler	D14/205
D729,196	S *	5/2015	Liu	D14/205
D734,297	S *	7/2015	Sasaki	D14/205
D740,256	S *	10/2015	Carr	D14/206
D746,790	S *	1/2016	Strasberg	D14/205
D752,017	S *	3/2016	Daniel	D14/205
D771,012	S *	11/2016	Wagner	D14/205
D778,258	S *	2/2017	Hsu	D14/205
D782,999	S *	4/2017	Spio	D14/206
9,706,281	B2 *	7/2017	Hernandez Vazquez	F16M 13/04
D802,556	S *	11/2017	Galler	D14/205
D812,588	S *	3/2018	Levine	D14/225

(Continued)

FOREIGN PATENT DOCUMENTS

EM	004594786-0003	*	1/2018
EM	007481221-0004	*	1/2020

(Continued)

Primary Examiner — Paula Allen Greene

(74) *Attorney, Agent, or Firm* — Rumit Ranjit Kanakia

(57) **CLAIM**

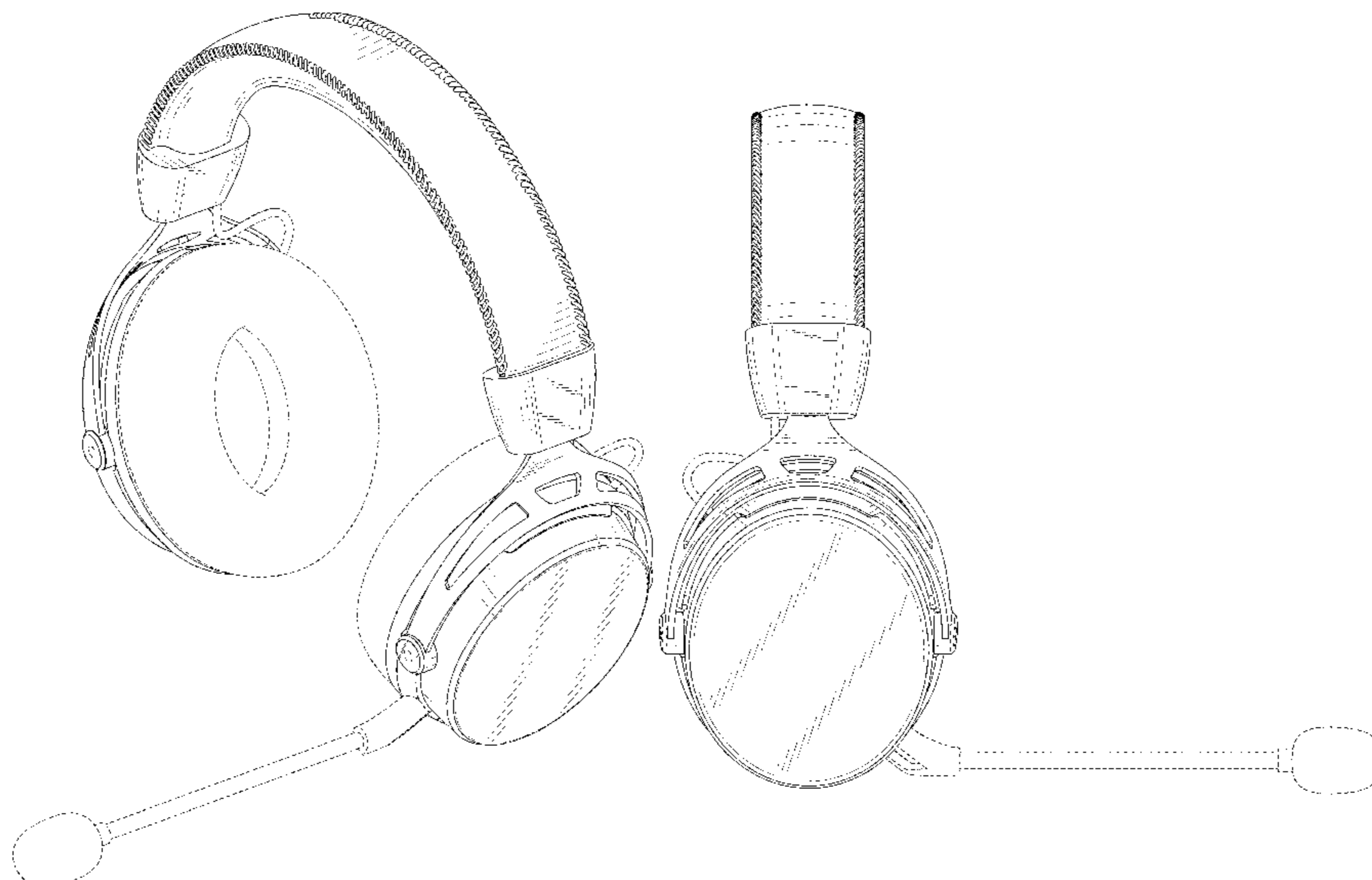
I claim the ornamental design for a headphone, as shown and described.

DESCRIPTION

FIG. 1 is a Front Perspective view of a headphone showing my new design;
FIG. 2 is a Bottom Perspective view thereof;
FIG. 3 is a Front view thereof;
FIG. 4 is a Back view thereof;
FIG. 5 is a Left-side view thereof;
FIG. 6 is a Right-side view thereof;
FIG. 7 is a Top view thereof; and,
FIG. 8 is a Bottom view thereof.

The broken lines in the drawings depict portions of the headphone that form no part of the claimed design.

1 Claim, 8 Drawing Sheets



(56)

References Cited

U.S. PATENT DOCUMENTS

D818,458 S * 5/2018 Lee D14/223
D826,209 S * 8/2018 Homewood D14/205
D832,813 S * 11/2018 Levine D14/205
D836,084 S * 12/2018 Xie D14/205
D838,687 S * 1/2019 Wu D14/205
D840,370 S * 2/2019 Kelly D14/205
D840,373 S * 2/2019 Lee D14/206
D872,050 S * 1/2020 Liu D14/206
D875,067 S * 2/2020 Tsubone D14/205
D893,454 S * 8/2020 Li D14/206
D899,403 S * 10/2020 Zhu D14/206
D905,001 S * 12/2020 Enqvist D14/205
D956,012 S * 6/2022 Eckstein D14/205
D961,545 S * 8/2022 Ahovi D14/206
2011/0206216 A1 * 8/2011 Brunner H04R 1/1066
381/74
2020/0288234 A1 * 9/2020 Fletcher H04R 1/1066

FOREIGN PATENT DOCUMENTS

EM 008062350-0003 * 7/2020
GB 9004665131-0008 * 1/2018

* cited by examiner

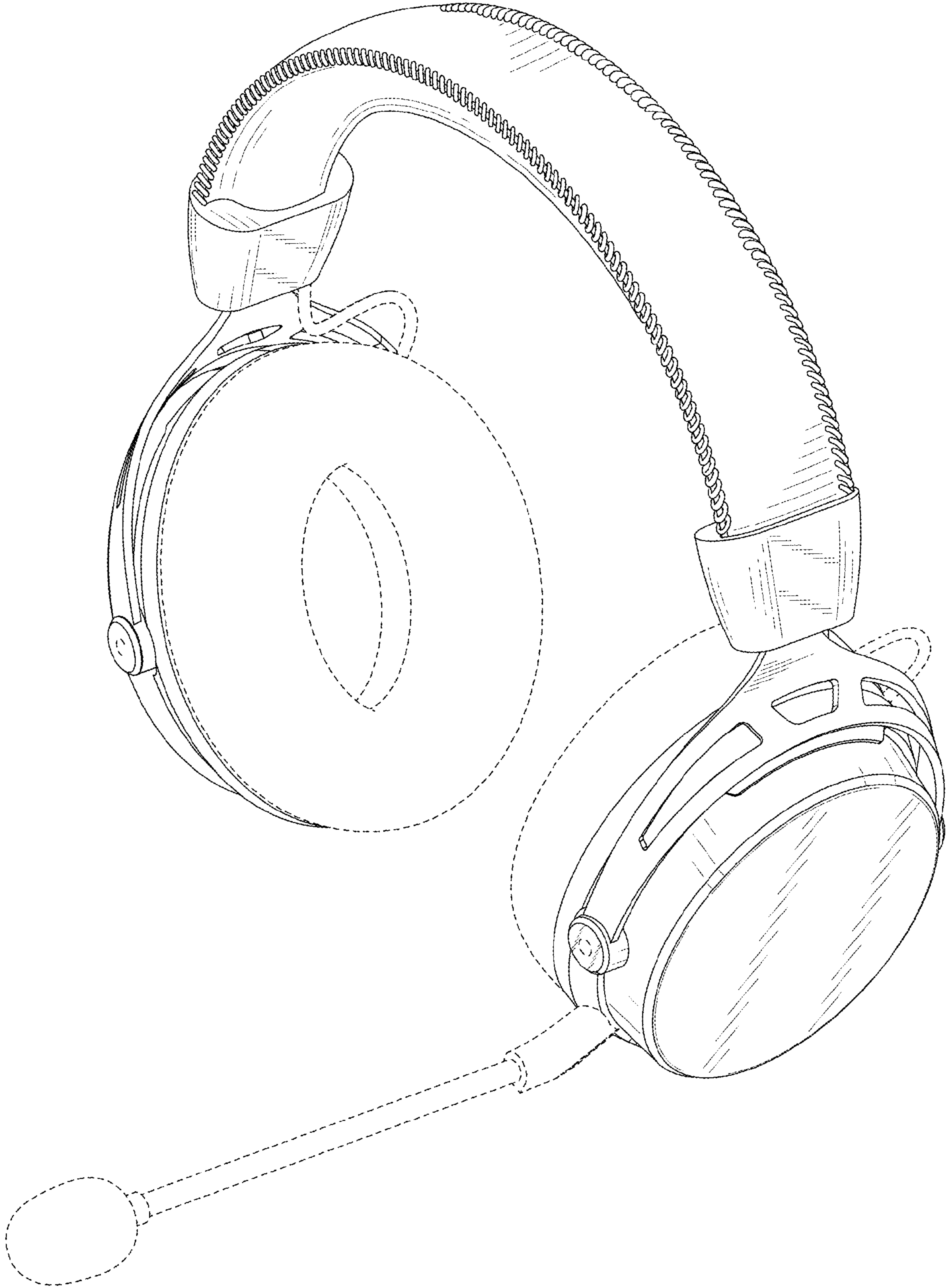


FIG. 1

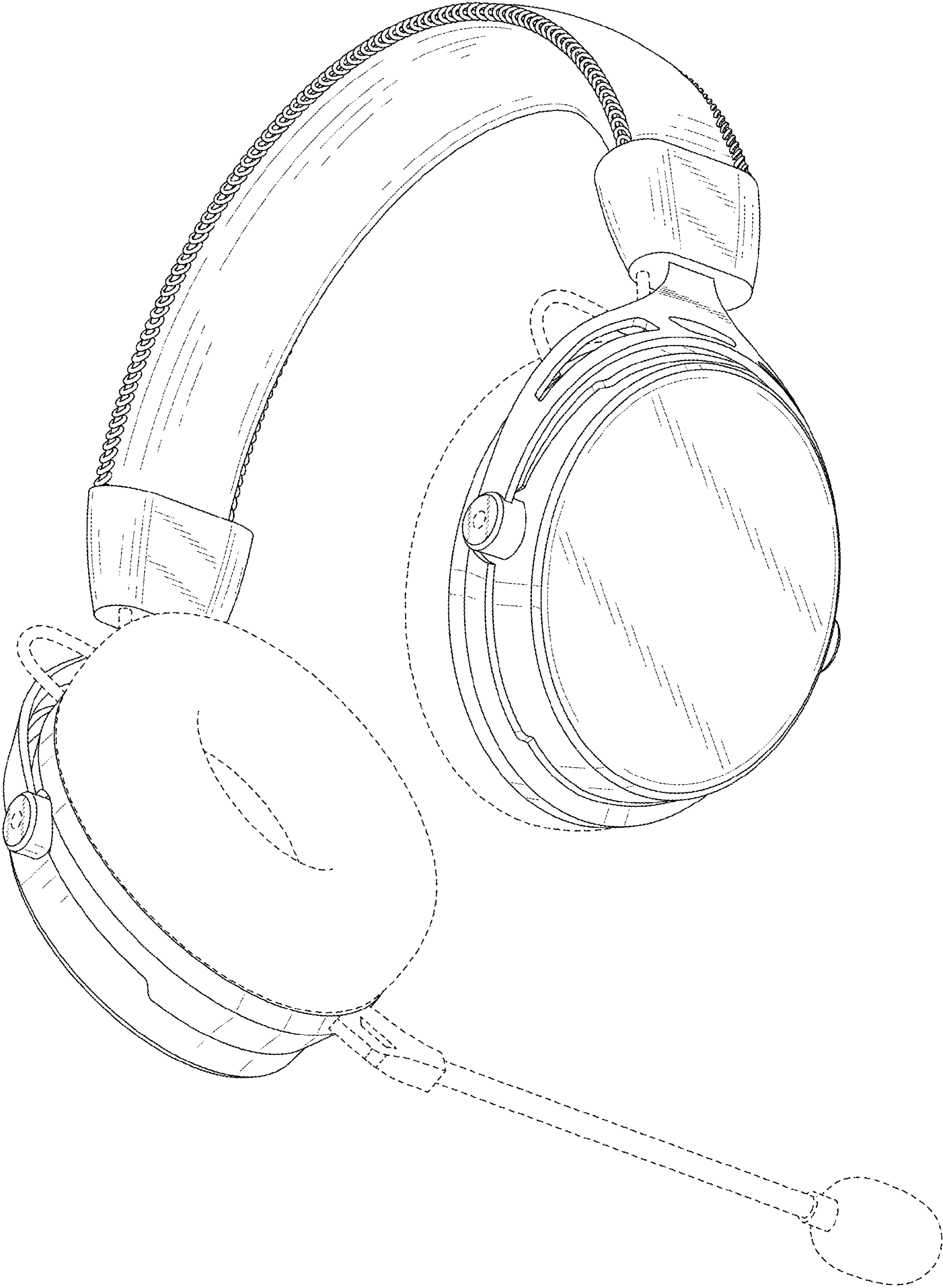


FIG. 2



FIG. 3



FIG. 4

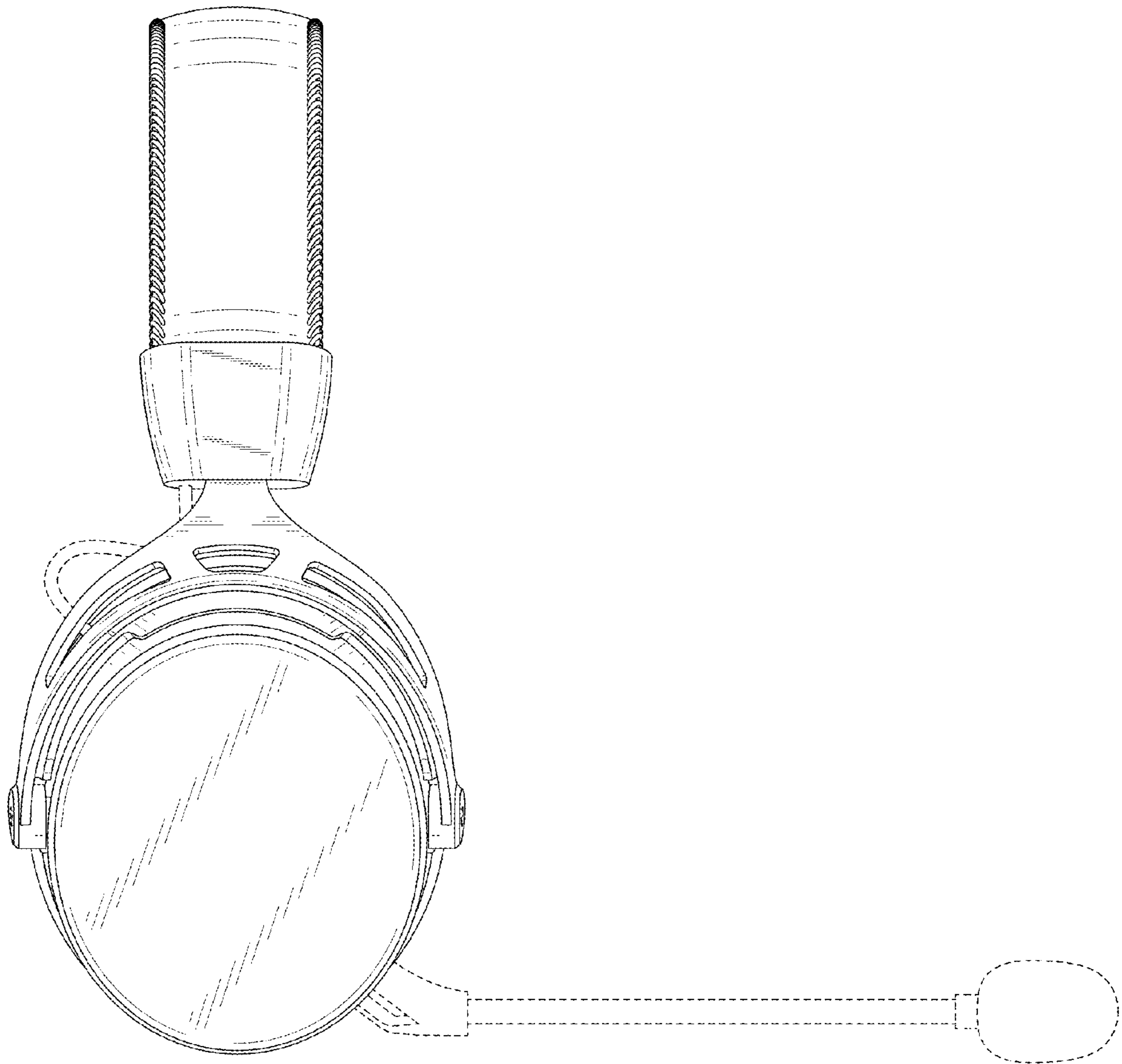


FIG. 5

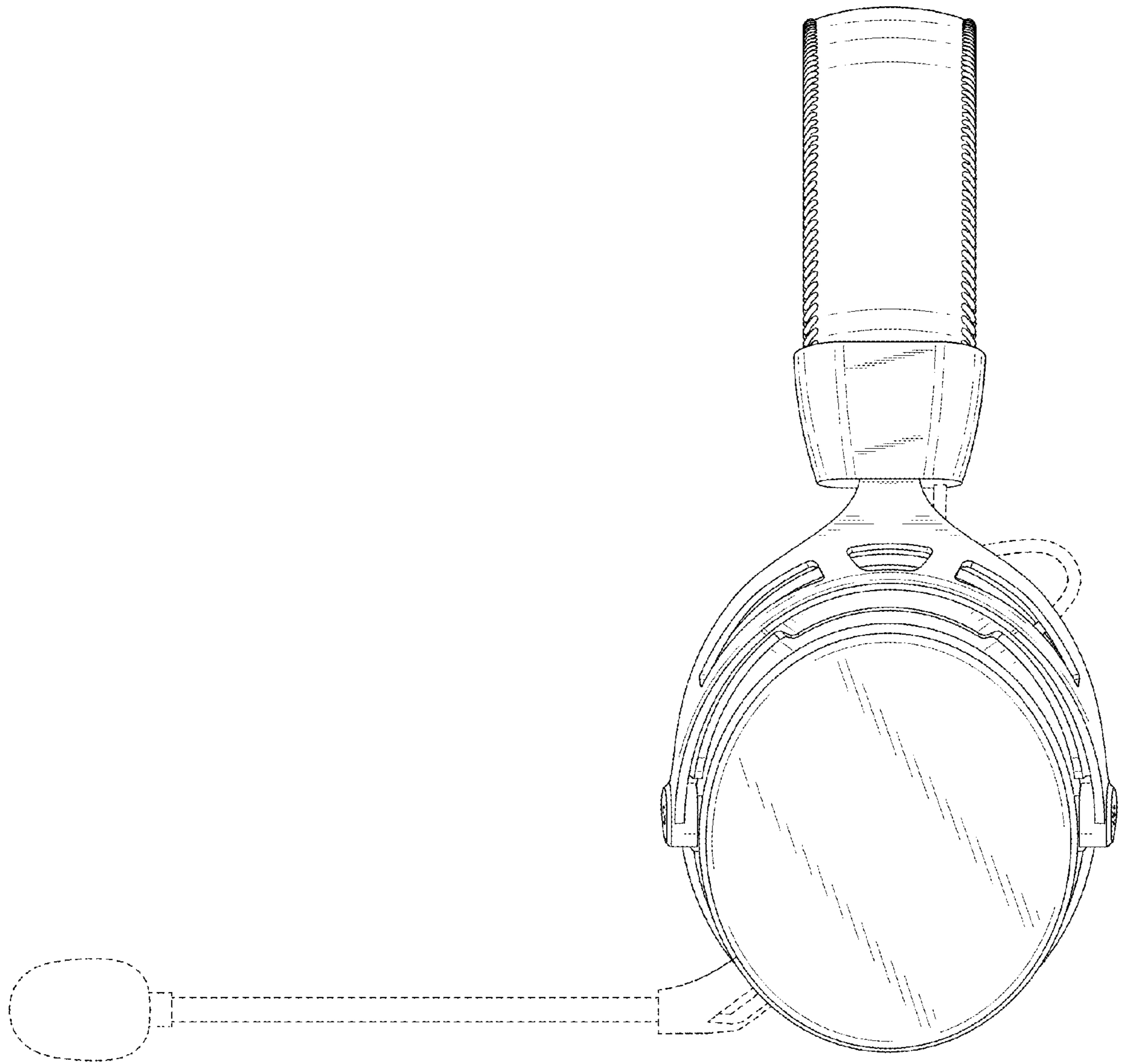


FIG. 6

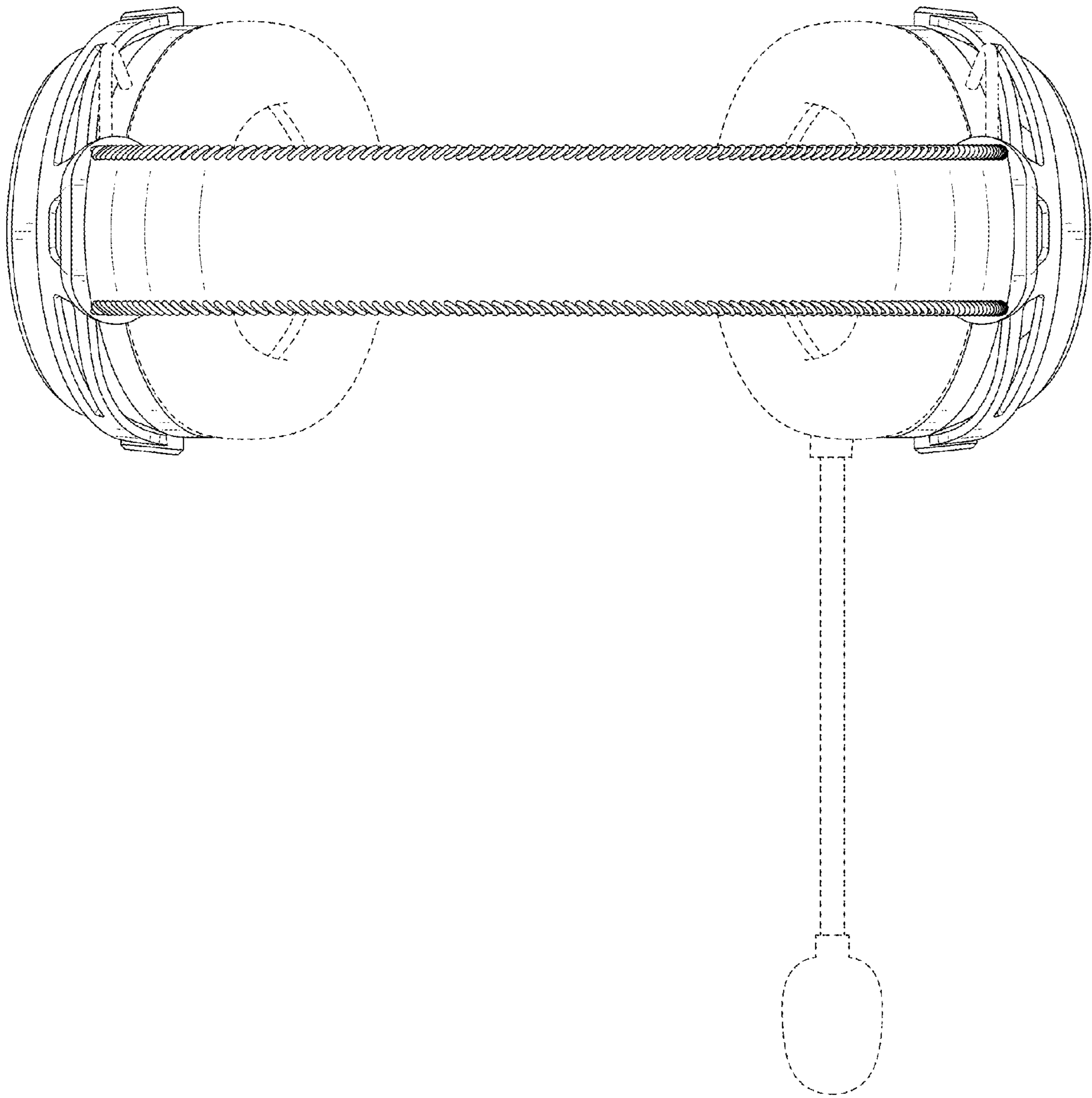


FIG. 7

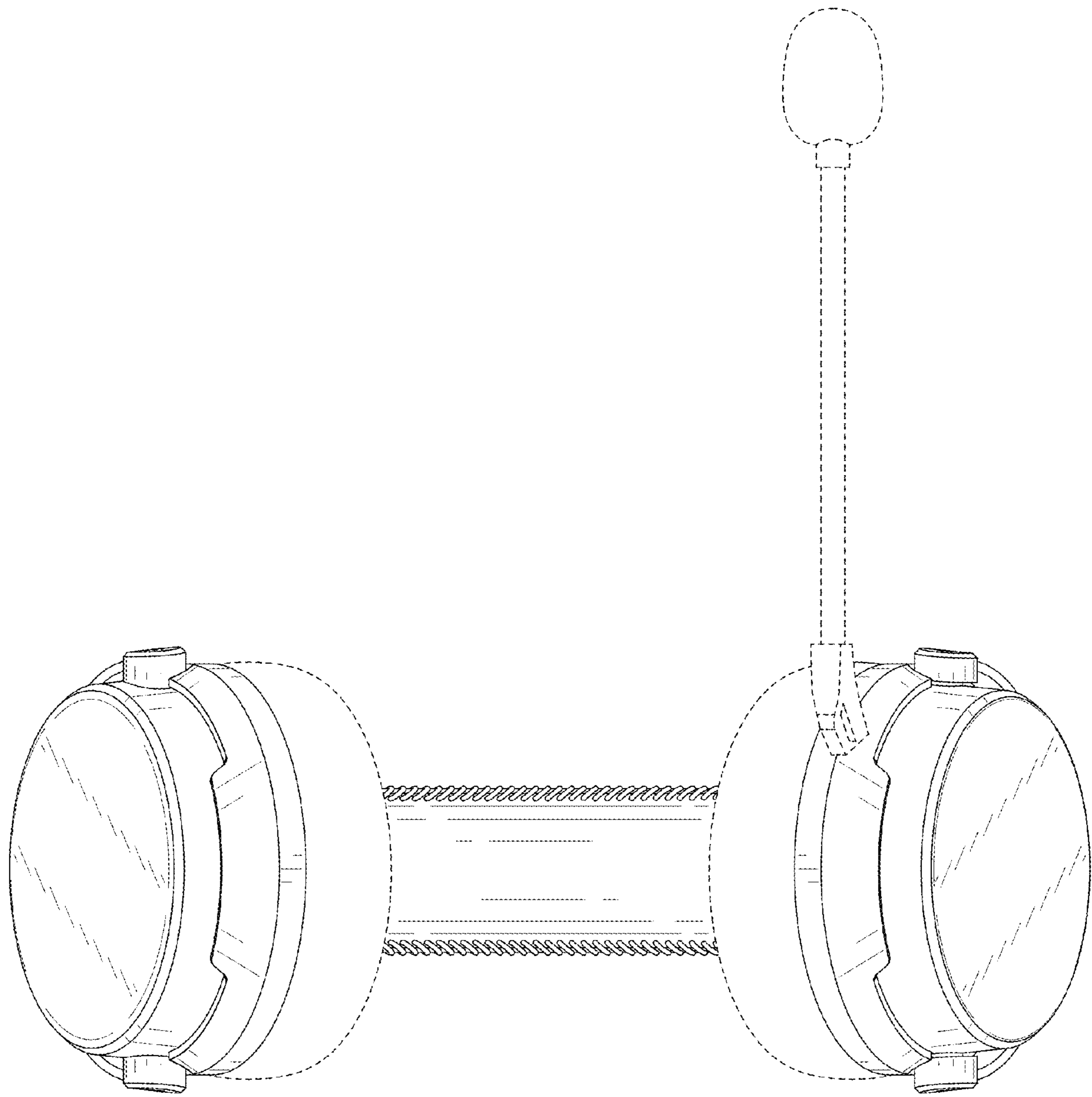


FIG. 8