

US00D977447S

(12) **United States Design Patent**
Jeon et al.

(10) **Patent No.:** **US D977,447 S**

(45) **Date of Patent:** **** Feb. 7, 2023**

(54) **TELEVISION WITH ROLLABLE DISPLAY**

(71) Applicant: **LG ELECTRONICS INC.**, Seoul (KR)

(72) Inventors: **Seongahn Jeon**, Seoul (KR); **Seala Park**, Seoul (KR); **Jongchul Kim**, Seoul (KR)

(73) Assignee: **LG Electronics Inc.**, Seoul (KR)

(**) Term: **15 Years**

(21) Appl. No.: **29/763,328**

(22) Filed: **Dec. 22, 2020**

(51) **LOC (14) Cl.** **14-03**

(52) **U.S. Cl.**
USPC **D14/133**

(58) **Field of Classification Search**

USPC D14/125–129, 132, 133, 203.8, 239, D14/305–307, 314–316, 335, 336, 340, D14/371–377, 382, 447–451, 900, 902; D6/663, 672, 673, 675.1, 705; D16/241; D18/4.5–4.6; D20/10, 17, 18, 19, 21, 27, D20/39, 41, 42, 990; D21/329, 332, 515; D24/160, 167, 186; D25/60, 61
CPC G09F 9/301; G06F 1/1656; G06F 1/1652; G06F 1/1626; G06F 1/1637; G06F 1/1601; G06F 1/1605; G06F 1/162; H04N 7/00; H04N 7/002; H04N 7/015; H04N 7/18; H04N 11/00; H04N 11/24; H04N 5/00;

(Continued)

(56) **References Cited**

U.S. PATENT DOCUMENTS

D845,042 S * 4/2019 Allen D6/675
D880,908 S * 4/2020 Allen D6/675.1

(Continued)

OTHER PUBLICATIONS

“LG Rollable OLED TV R”, first available Jan. 11, 2021, lg.com, [online], [site visited Apr. 4, 2022], Available from internet URL: <https://www.lg.com/global/lg-signature/rollable-oled-tv-r> (Year: 2021).*

(Continued)

Primary Examiner — Richard E Chilcot

(74) *Attorney, Agent, or Firm* — Birch, Stewart, Kolasch & Birch, LLP

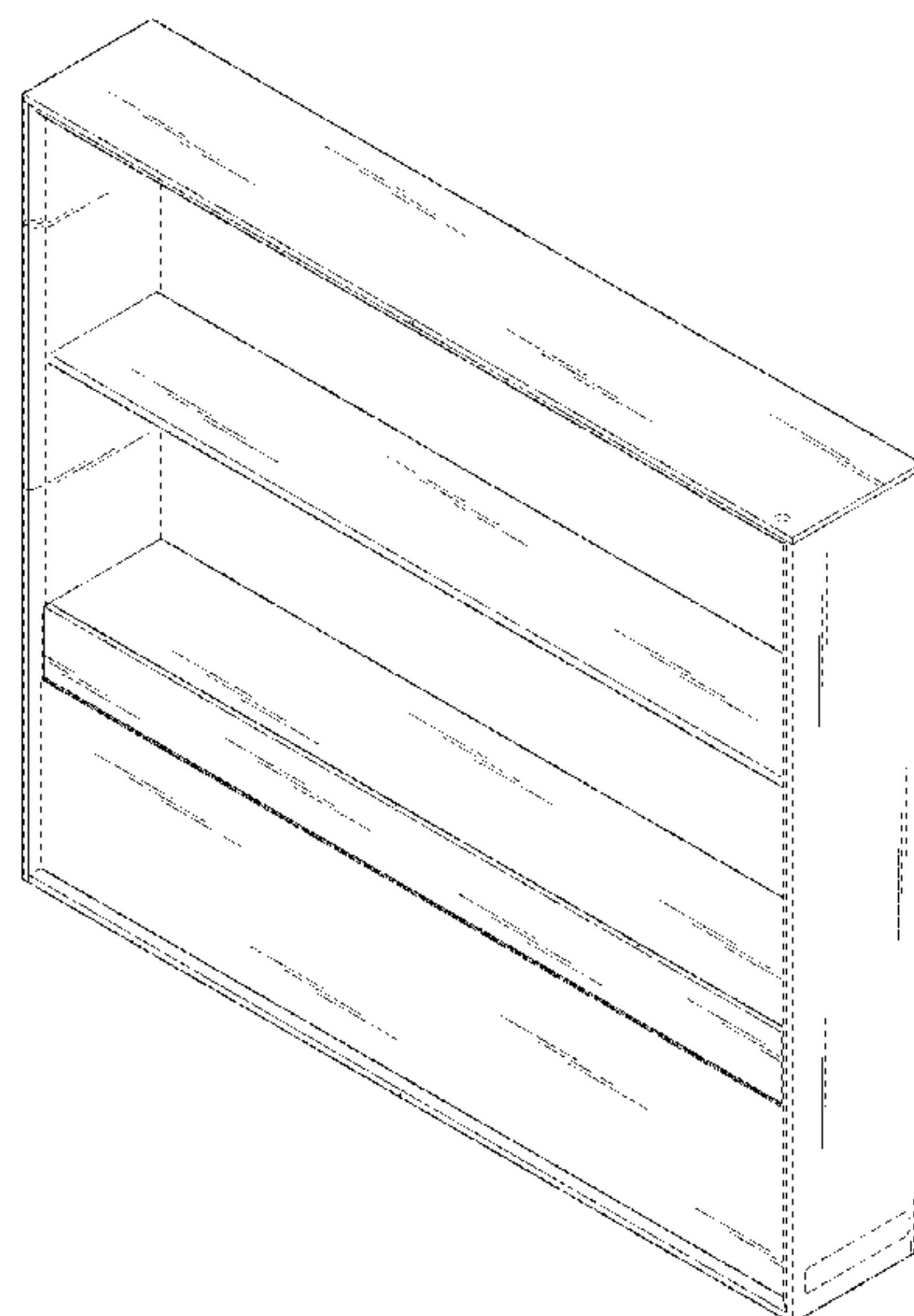
(57) **CLAIM**

We claim the ornamental design for a television with rollable display, as shown and described.

DESCRIPTION

FIG. 1 is a front perspective view of a television with rollable display showing the new design; FIG. 2 is a rear perspective view thereof; FIG. 3 is a front elevation view thereof; FIG. 4 is a rear elevation view thereof; FIG. 5 is a left-side elevation view thereof; FIG. 6 is a right-side elevation view thereof; FIG. 7 is a top plan view thereof; FIG. 8 is a bottom plan view thereof; FIG. 9 is a front perspective view showing a state that the lower drawer is halfway opened; FIG. 10 is a front perspective view showing a state that the lower drawer is separated from the main body; FIG. 11 is a front perspective view showing a state that the lower drawer is disassembled from its storage part; FIG. 12 is a partial enlarged view of the portion outlined by the dot-dot-dash lines therein; and, FIG. 13 is a front perspective view showing a state of the display when rolled-up from the back of the speaker. The broken lines represent portions of the television with rollable display that form no part of the claimed design. The dot-dot-dash lines encircling portions of the claimed design that are illustrated in enlargement form no part thereof.

1 Claim, 13 Drawing Sheets



(52) **U.S. Cl.**
 CPC *G09F 9/301* (2013.01)

(58) **Field of Classification Search**
 CPC H04N 1/00283; H04N 9/00; A47F 5/00;
 A47F 5/005; A47F 5/0815; A47F 5/0846;
 A47G 1/141

See application file for complete search history.

(56) **References Cited**

U.S. PATENT DOCUMENTS

D913,732 S * 3/2021 Allen D6/675.1
 D932,218 S * 10/2021 Allen D6/675.1
 2013/0271940 A1 * 10/2013 Cope H05K 5/0217
 361/809
 2017/0367198 A1 * 12/2017 Park H04M 1/0268
 2019/0198783 A1 * 6/2019 Kim G06F 1/1652
 2019/0324501 A1 * 10/2019 Kim H04R 7/045
 2020/0075895 A1 * 3/2020 Oh H01L 51/5246
 2020/0160760 A1 * 5/2020 Park H04R 9/066

2020/0314552 A1 * 10/2020 Kim H04R 7/045
 2020/0365063 A1 * 11/2020 Park H01L 51/5237
 2021/0056874 A1 * 2/2021 Morin G09F 9/301
 2021/0068280 A1 * 3/2021 Han H05K 5/0217
 2021/0110792 A1 * 4/2021 Hong G09F 9/301
 2021/0144868 A1 * 5/2021 Song H05K 5/0026
 2021/0201713 A1 * 7/2021 Chung G09F 9/301
 2022/0004229 A1 * 1/2022 Guo G09F 9/301
 2022/0029124 A1 * 1/2022 Kang H01L 51/524
 2022/0063235 A1 * 3/2022 Shi B32B 7/12
 2022/0068170 A1 * 3/2022 Han G06F 1/1652
 2022/0076596 A1 * 3/2022 Song G06F 1/1652
 2022/0093015 A1 * 3/2022 Park H01L 51/56

OTHER PUBLICATIONS

“Rollean is an Innovative Rollable TV Looks Like a Normal Shelf When Not in Use”, first available May 11, 2020, techeblog.com, [online], [site visited Apr. 4, 2022], Available from internet URL: <https://www.techeblog.com/rollable-tv-shelf/> (Year: 2020).*

* cited by examiner

FIG. 1

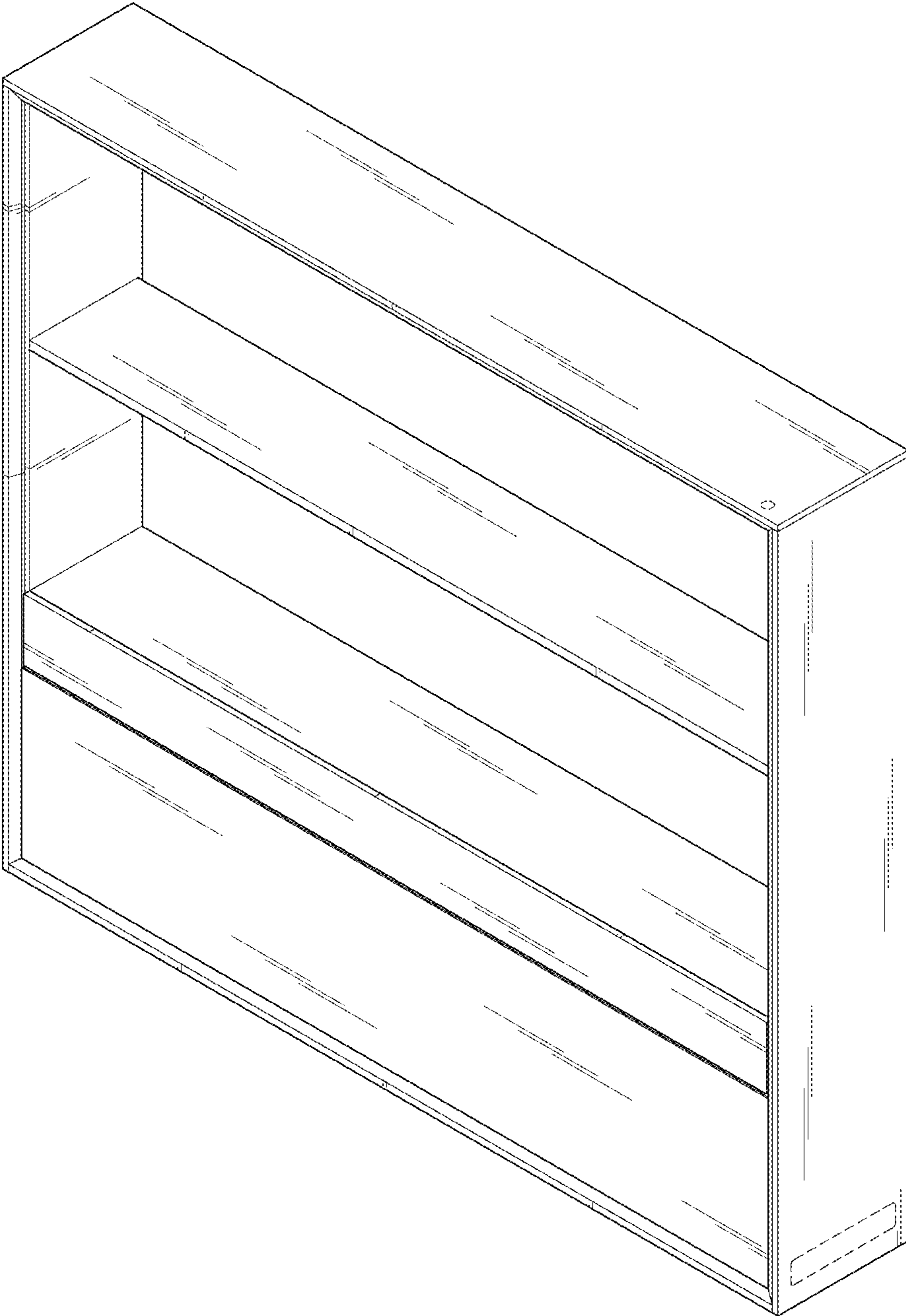


FIG. 2

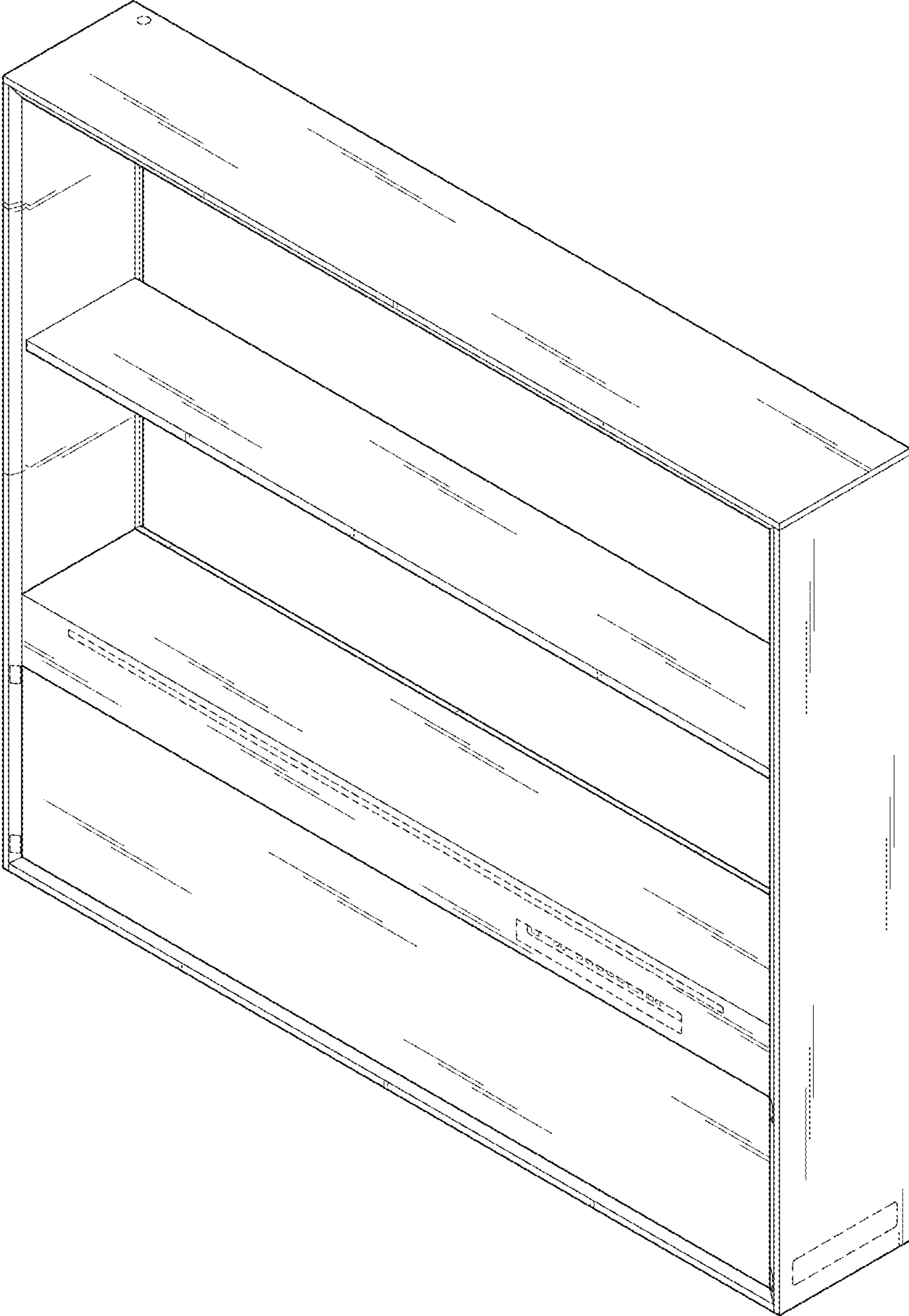


FIG. 3



FIG. 4

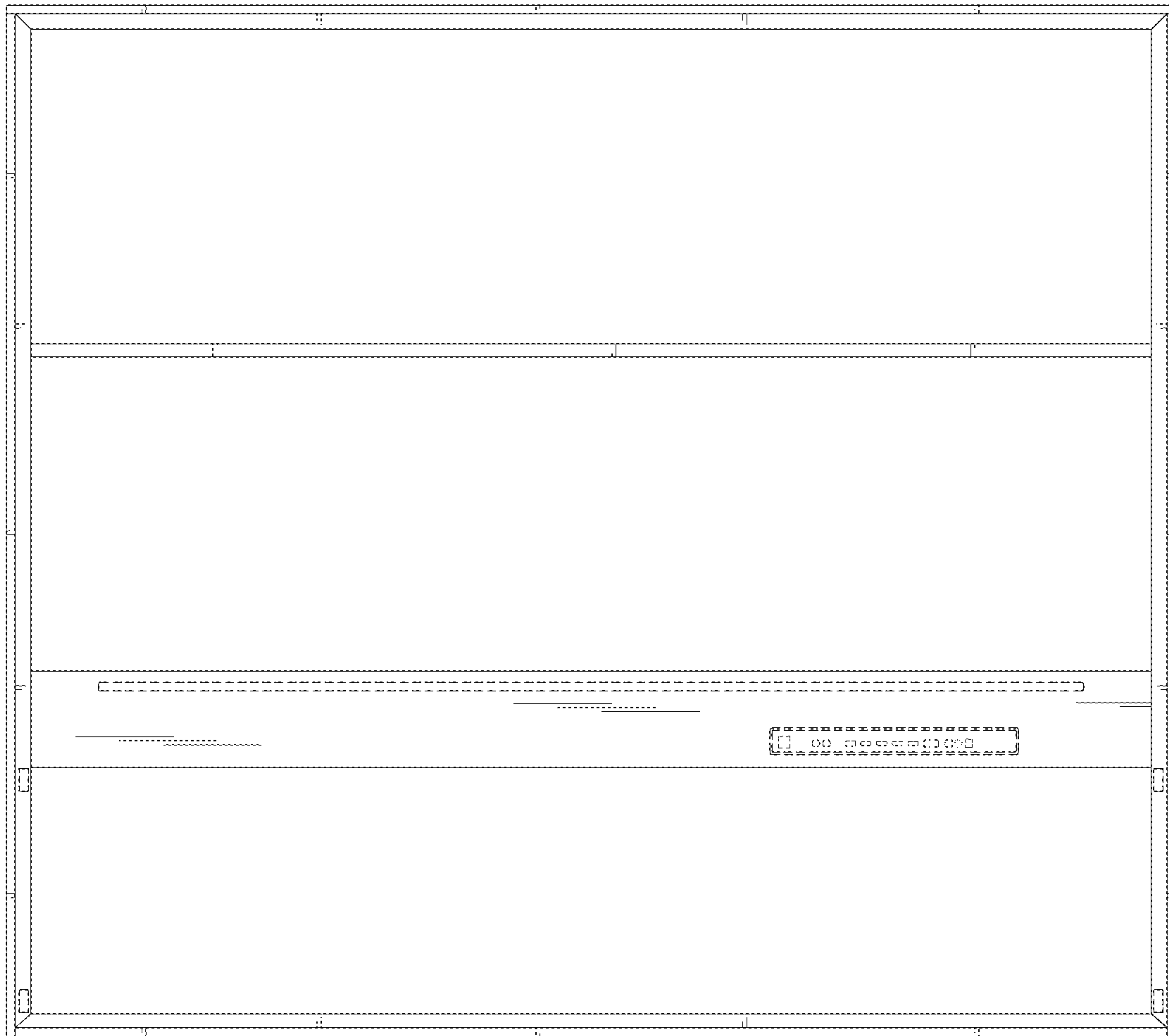


FIG. 5

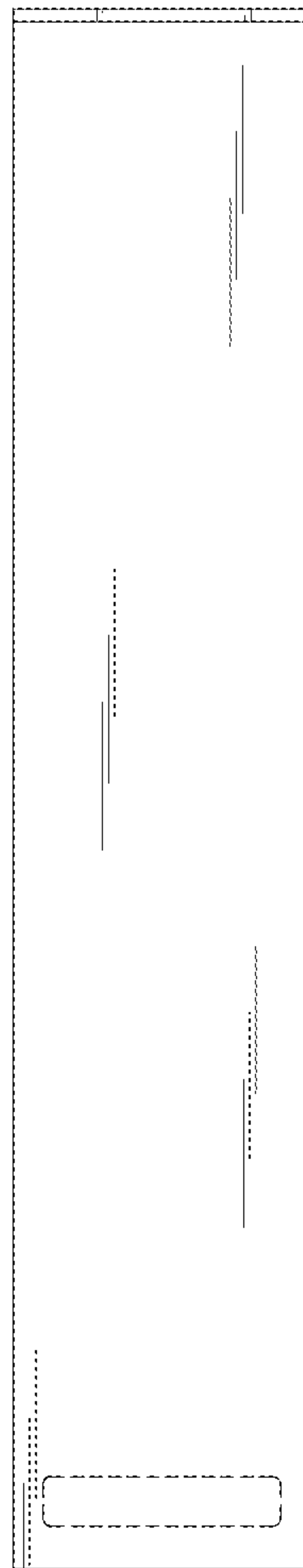


FIG. 6

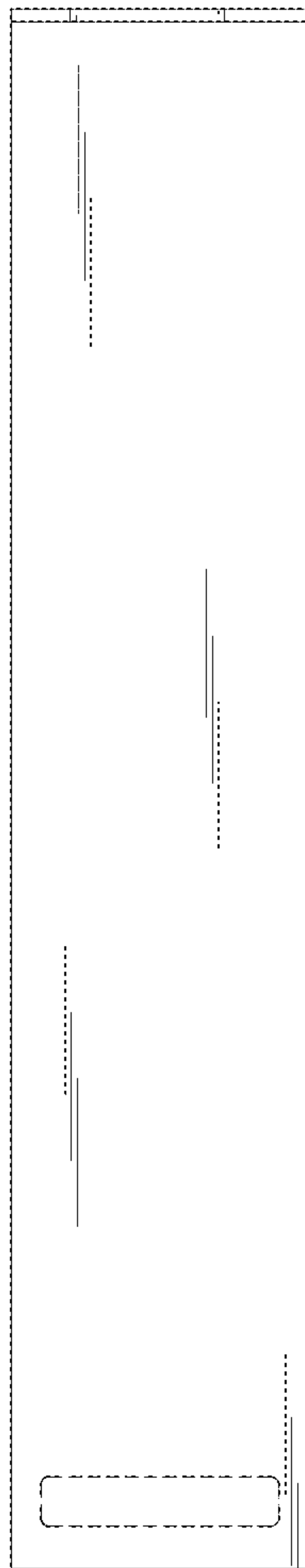


FIG. 7

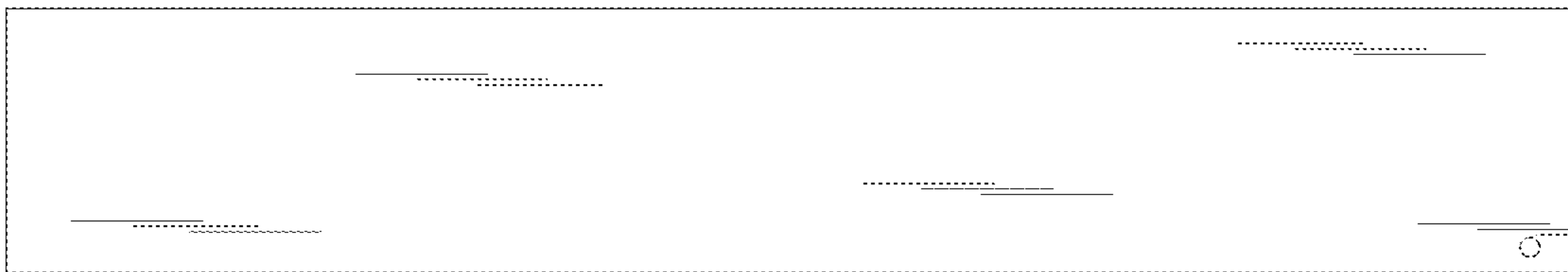


FIG. 8

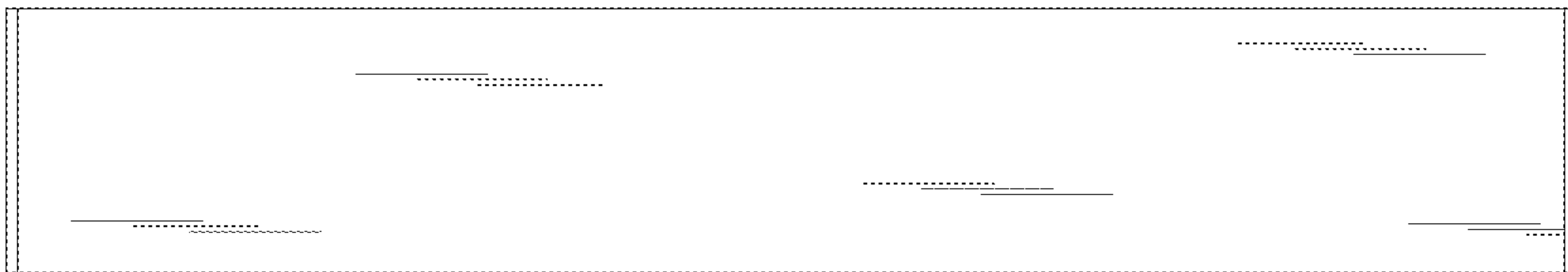


FIG. 9

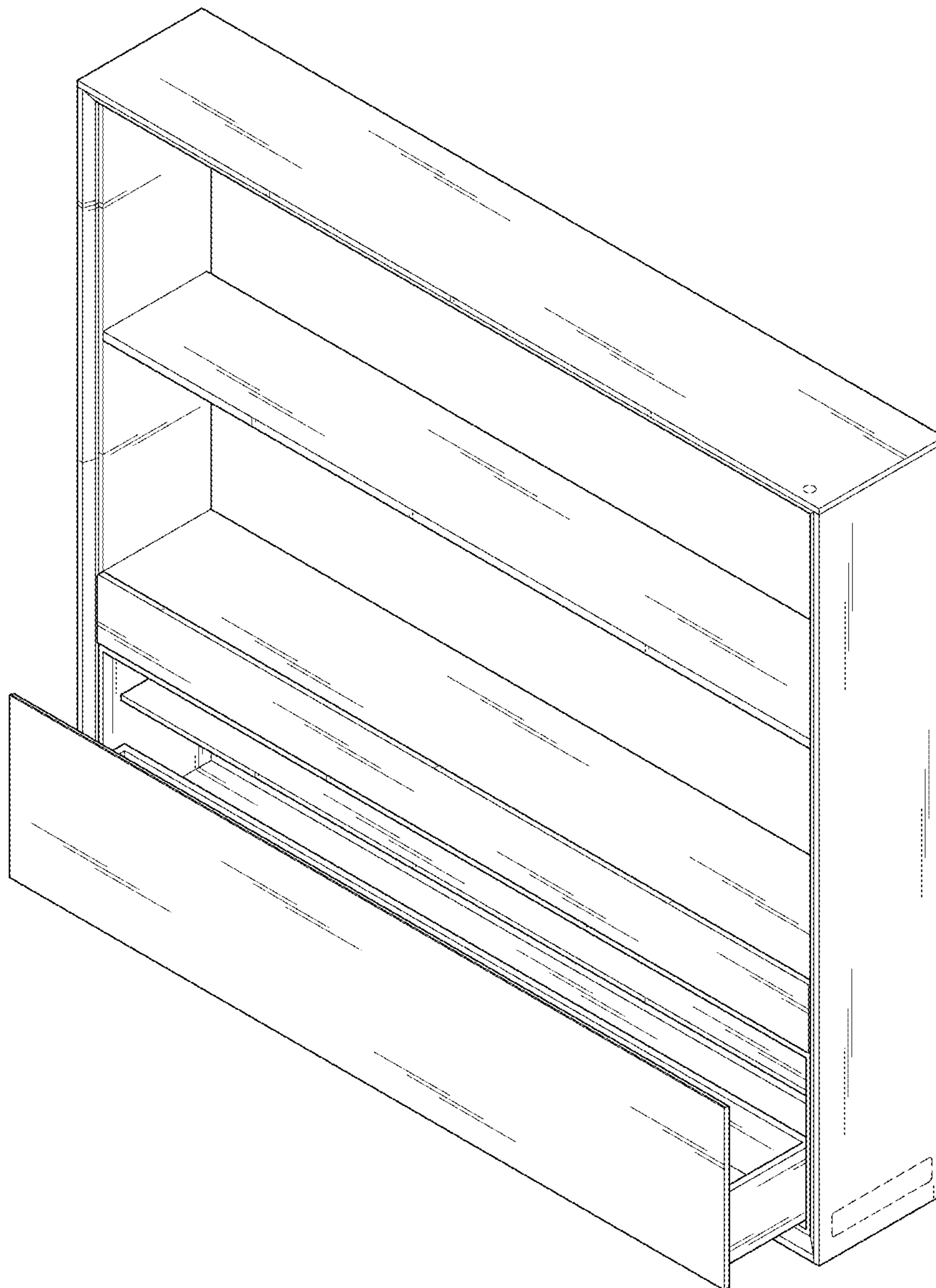


FIG. 10

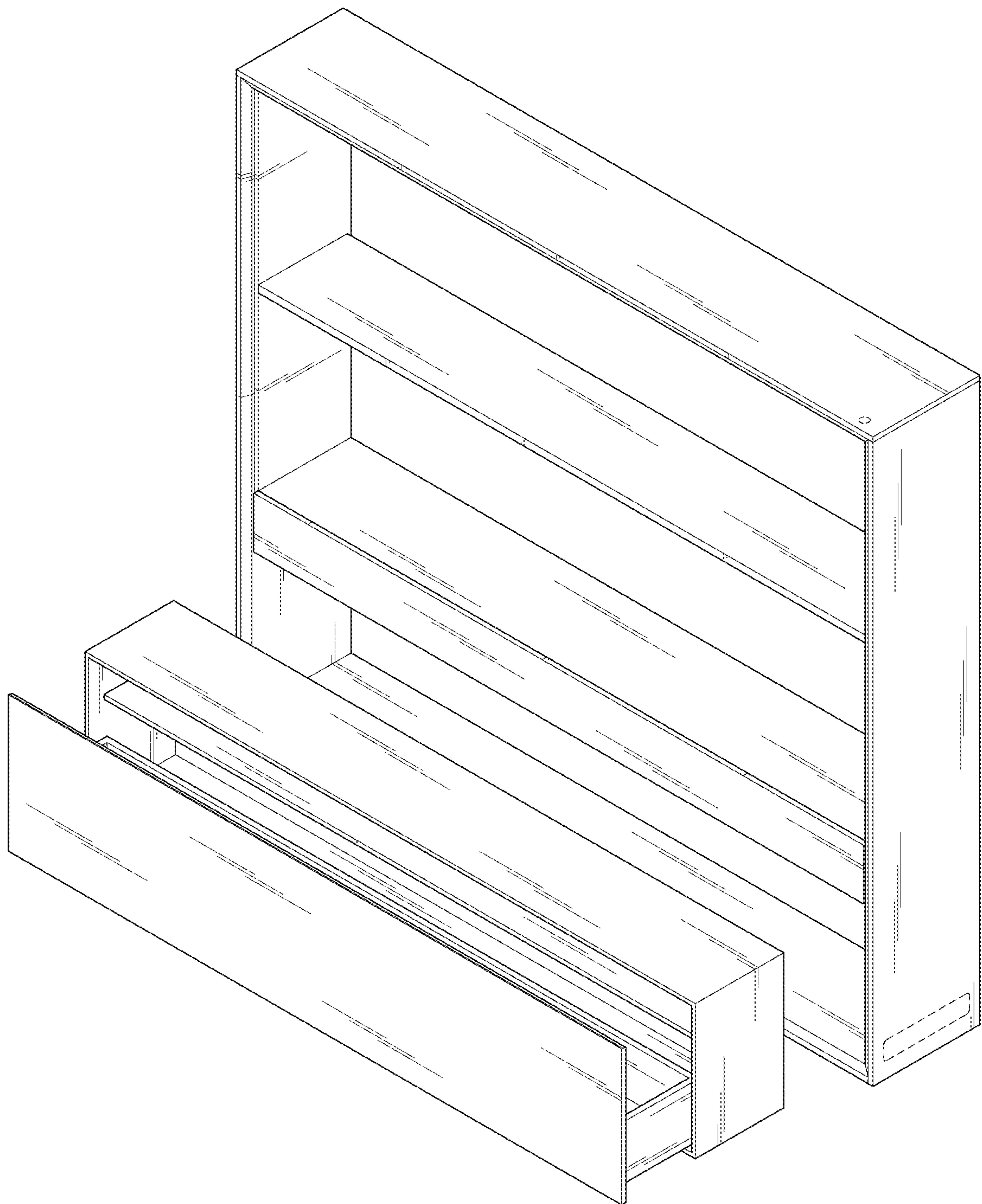


FIG. 11

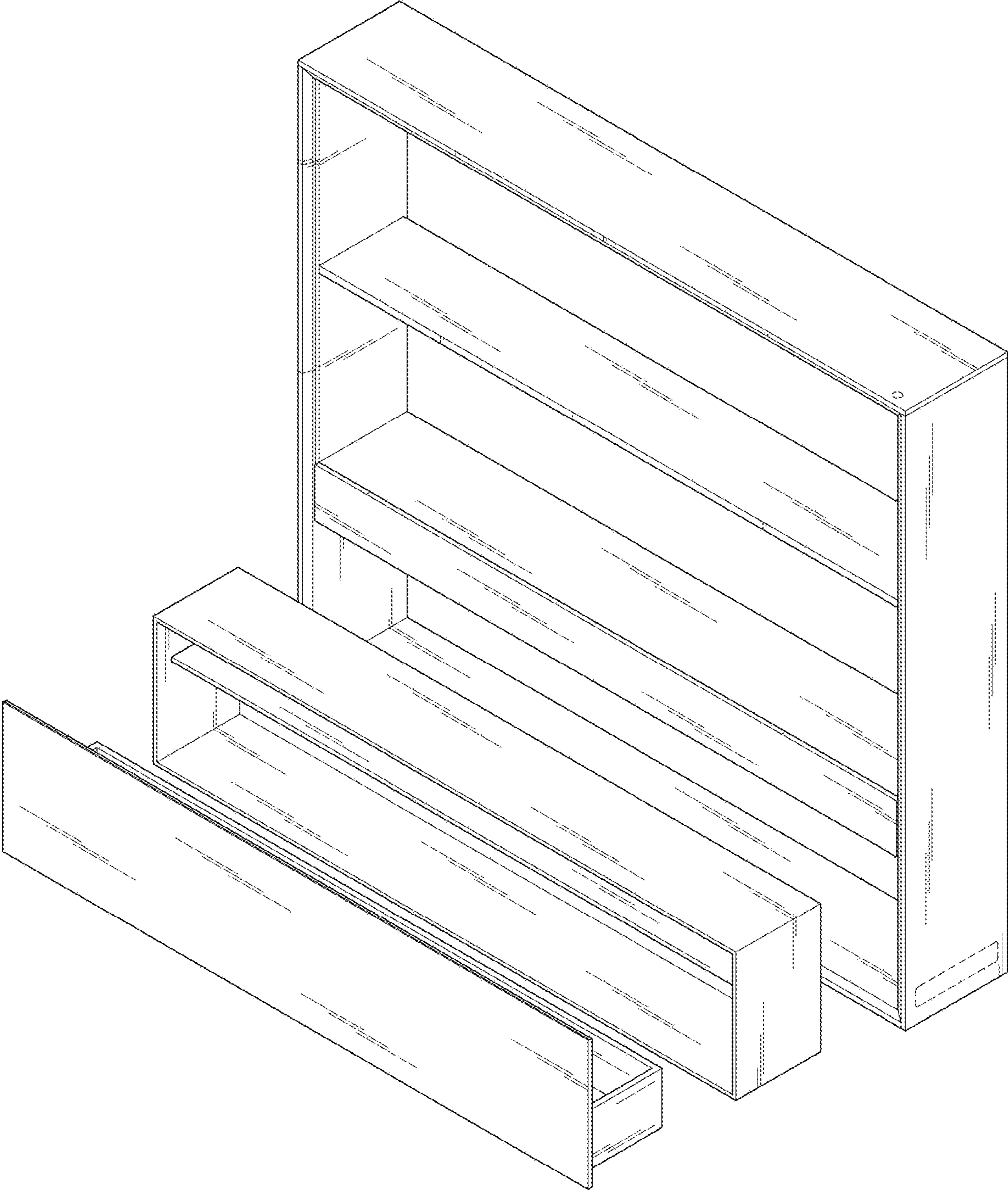


FIG. 12

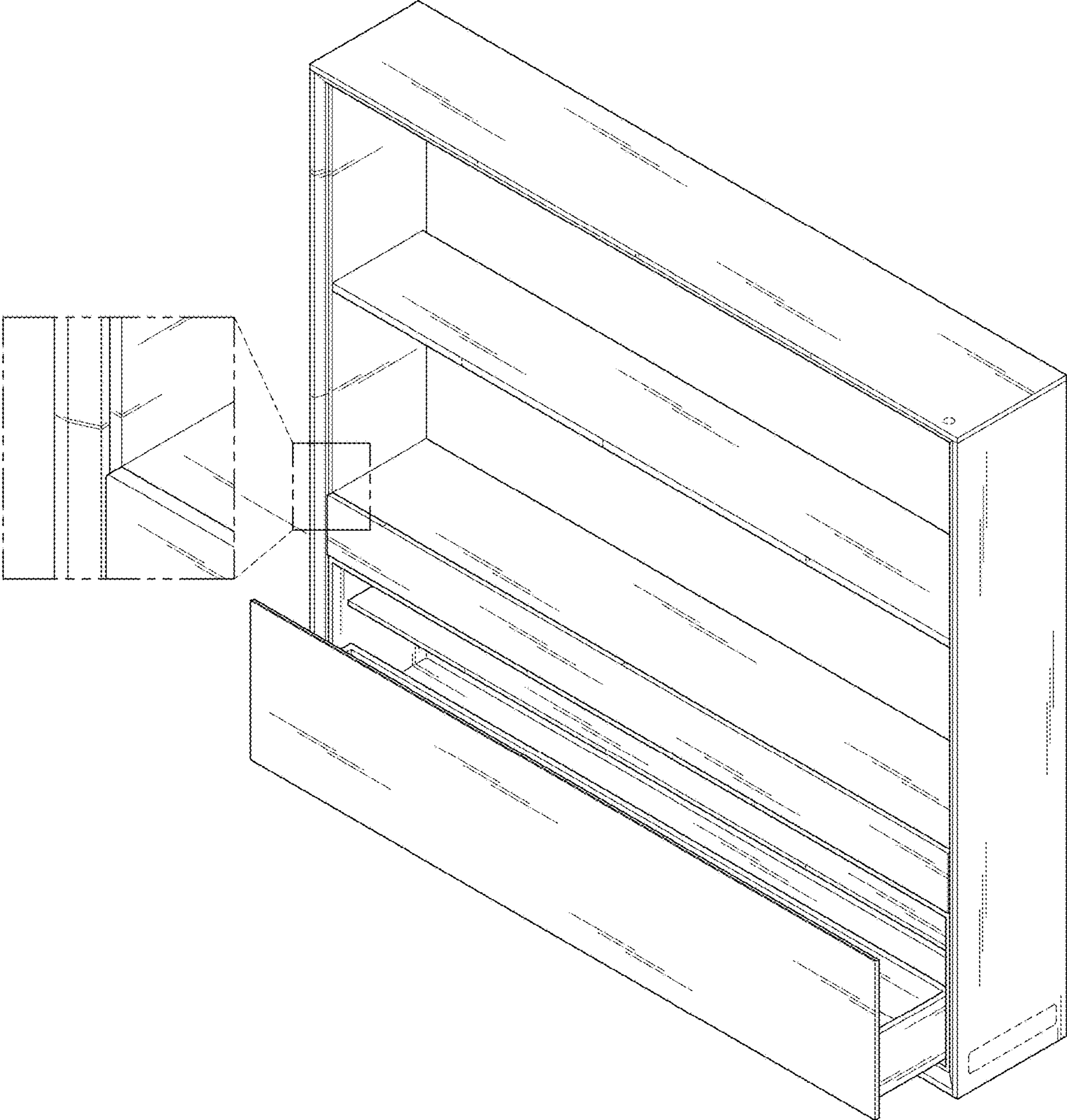


FIG. 13

