



US00D977446S

(12) **United States Design Patent**
Lee et al.

(10) **Patent No.:** **US D977,446 S**
(45) **Date of Patent:** **** Feb. 7, 2023**

(54) **TELEVISION SET**

(71) Applicant: **LG DISPLAY CO., LTD.**, Seoul (KR)

(72) Inventors: **Wonjun Lee**, Paju-si (KR); **Seyoung Kim**, Paju-si (KR); **Youhong Cha**, Paju-si (KR); **Sungsu Ham**, Paju-si (KR); **Dongkyu Yoon**, Paju-si (KR); **Jaewan Park**, Paju-si (KR); **Nakyoung Han**, Paju-si (KR); **Sangyong Park**, Paju-si (KR)

(73) Assignee: **LG Display Co., Ltd.**, Seoul (KR)

(**) Term: **15 Years**

(21) Appl. No.: **29/797,332**

(22) Filed: **Jun. 30, 2021**

(30) **Foreign Application Priority Data**

Jan. 29, 2021 (KR) 30-2021-0005014

(51) **LOC (14) Cl.** **14-01**

(52) **U.S. Cl.**
USPC **D14/126**

(58) **Field of Classification Search**
USPC D14/125-134, 136, 159, 217, 239, 336,
D14/342, 371, 374-377, 440, 448, 450;
D19/113, 114
CPC H04N 7/00; H04N 9/3141; H04N 13/0459;
H04N 17/04; H04N 17/004; H04N
21/43637; G06F 1/1601; G06F 1/1605;
G06F 1/162

See application file for complete search history.

(56) **References Cited**

U.S. PATENT DOCUMENTS

D776,072 S * 1/2017 Kim D14/126
D808,668 S * 1/2018 Tsuchiyama D6/664
D812,028 S * 3/2018 Kim D14/126
D813,832 S * 3/2018 Kim D14/126
D818,977 S * 5/2018 Kim D14/126

D833,433 S * 11/2018 Catania D14/374
D869,439 S * 12/2019 Kim D14/215
D883,243 S * 5/2020 Kim D14/126
D883,244 S * 5/2020 Kim D14/129
D886,196 S * 6/2020 Lee D20/39
D887,379 S * 6/2020 Cha D14/126

FOREIGN PATENT DOCUMENTS

KR 300959998.0000 * 12/2018
KR 300850171.0000 * 4/2019

OTHER PUBLICATIONS

LG Signature, first available Apr. 17, 2022 [online], [retrieved Sep. 20, 2022]. Available from the Internet, URL:<https://a.co/d/4OrUCZA>. (Year: 2022).*

* cited by examiner

Primary Examiner — Dana K Weiland

Assistant Examiner — Russell Carnell Smith, Jr.

(74) *Attorney, Agent, or Firm* — Birch, Stewart, Kolasch & Birch, LLP

(57) **CLAIM**

The ornamental design for a television set, as shown and described.

DESCRIPTION

FIG. 1 is a front, right perspective view of the television set showing our new design;
FIG. 2 is a front view thereof;
FIG. 3 is a rear view thereof;
FIG. 4 is a left side view thereof;
FIG. 5 is a right side view thereof;
FIG. 6 is a top plan view thereof;
FIG. 7 is a bottom plan view thereof; and,
FIG. 8 is a perspective view showing the screen separated from a supporter.

The broken lines shown in the figures depict portions of the television set that form no part of the claimed design.

1 Claim, 8 Drawing Sheets

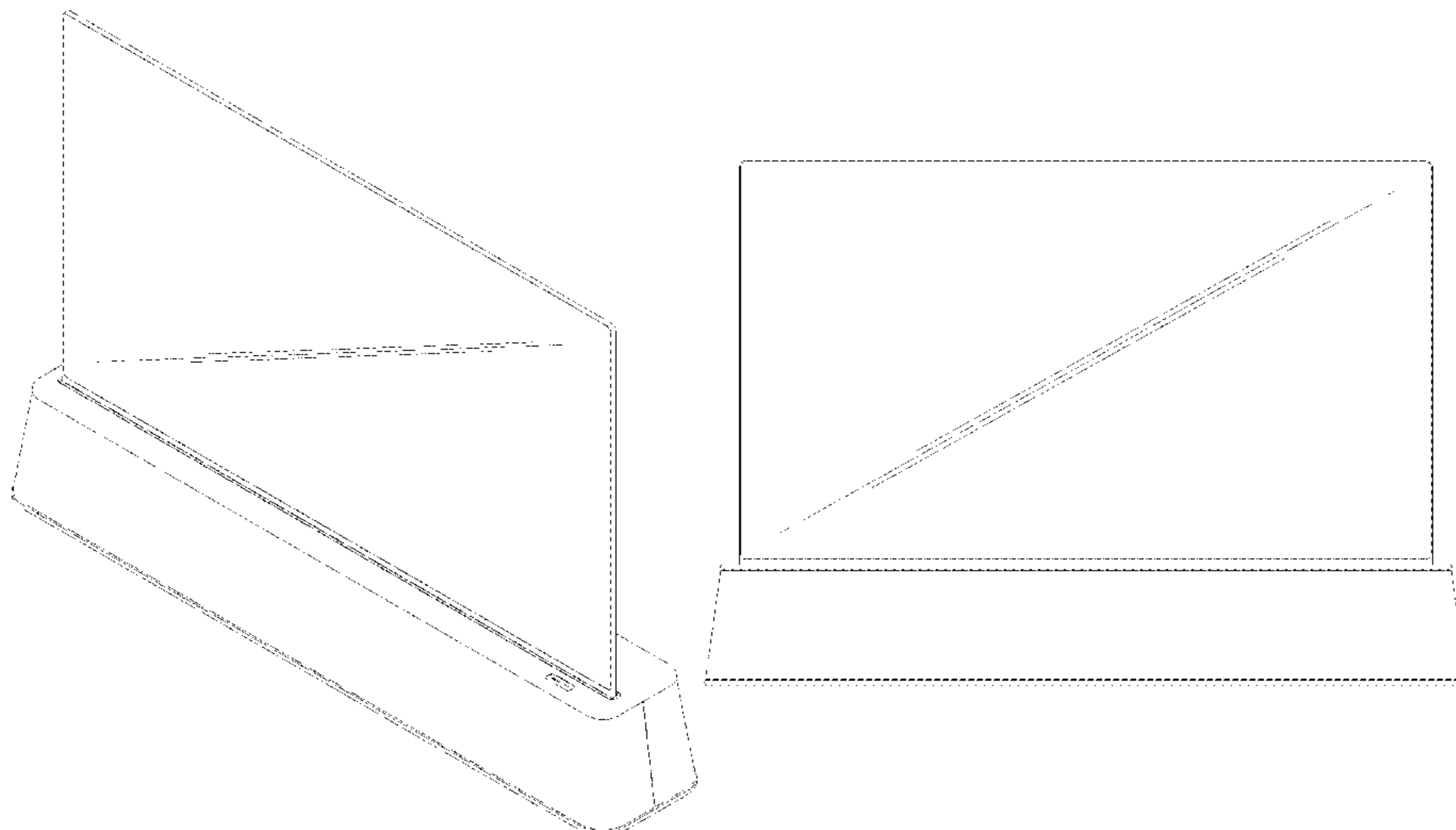


FIG. 1

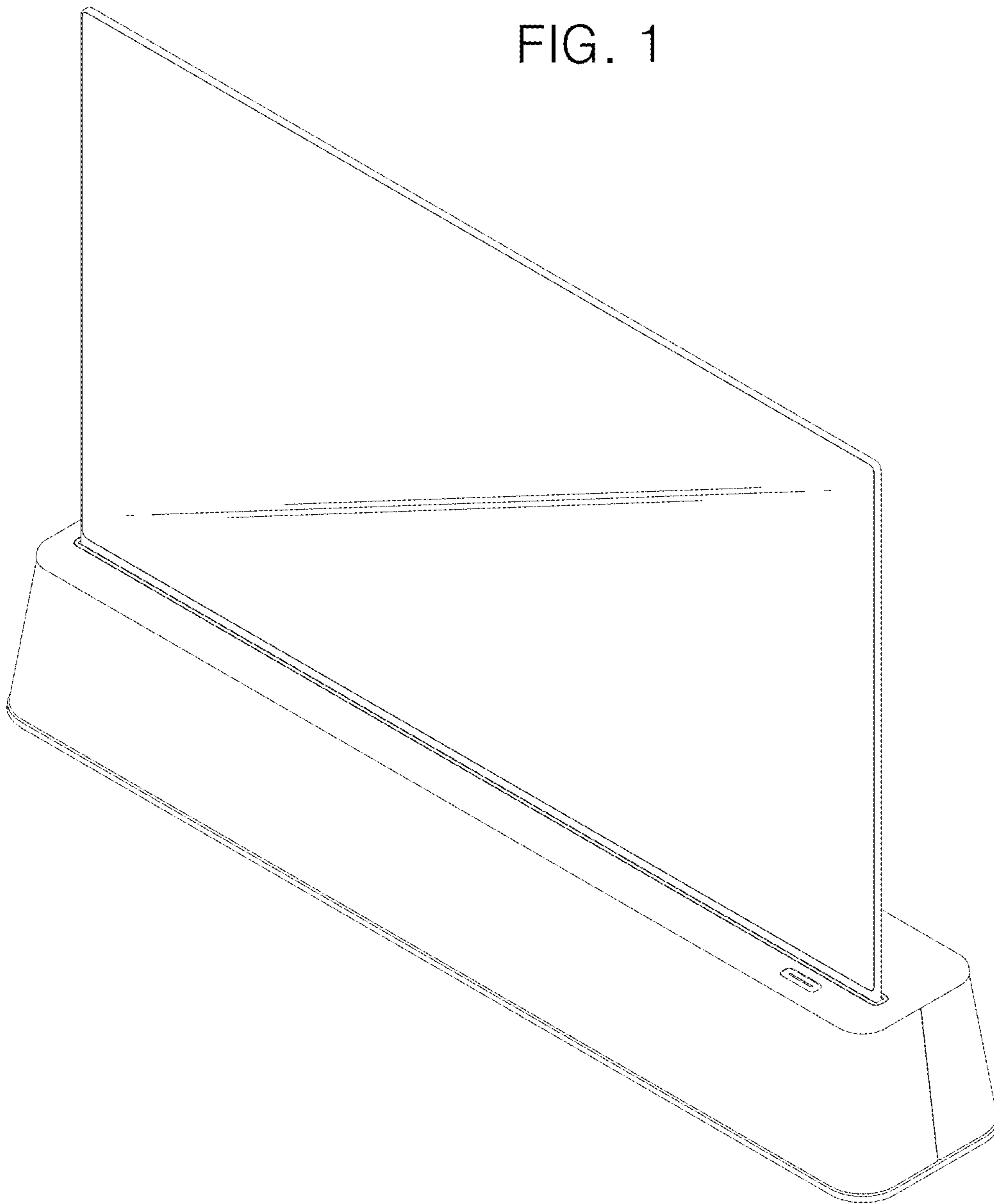


FIG. 2

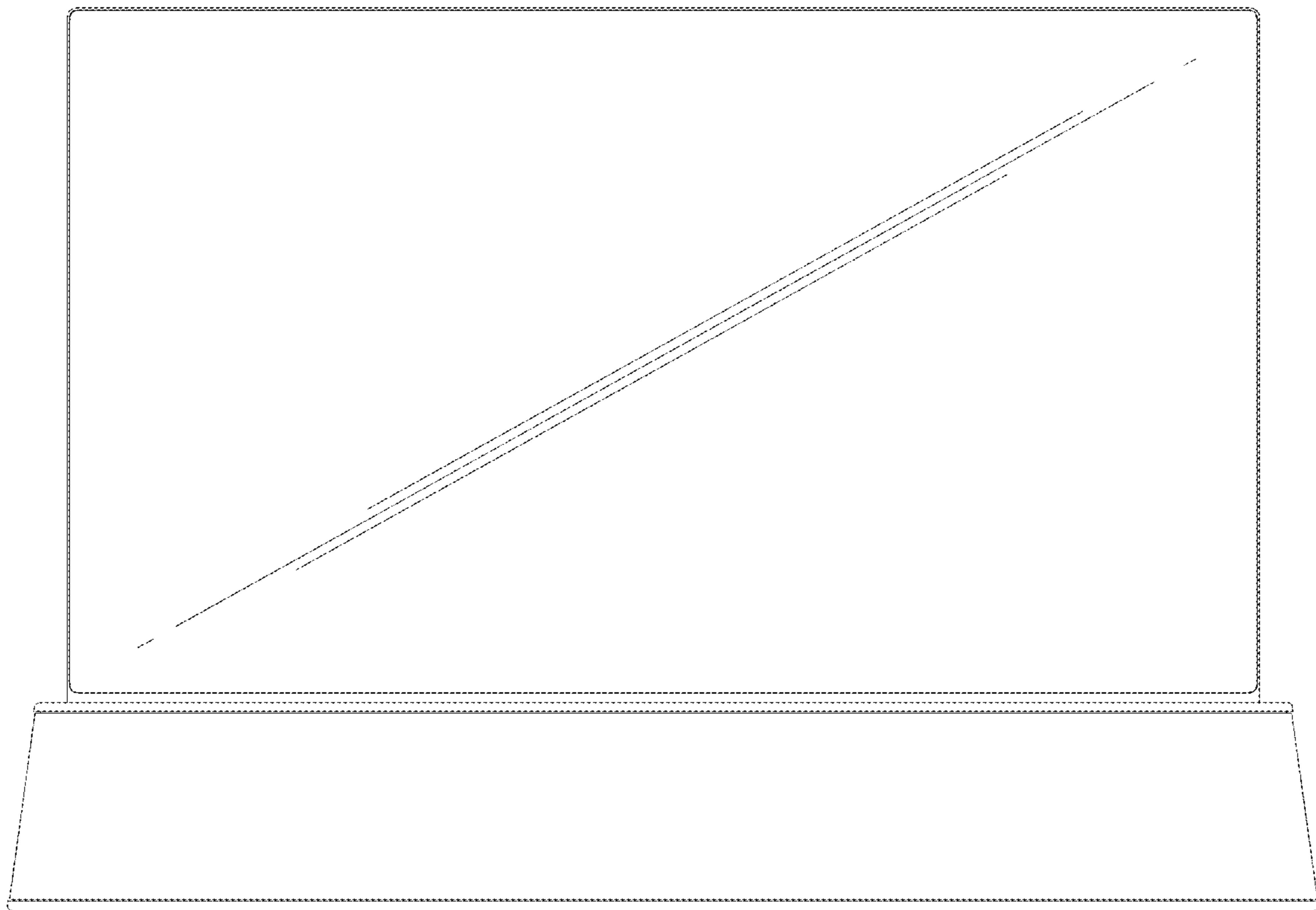


FIG. 3

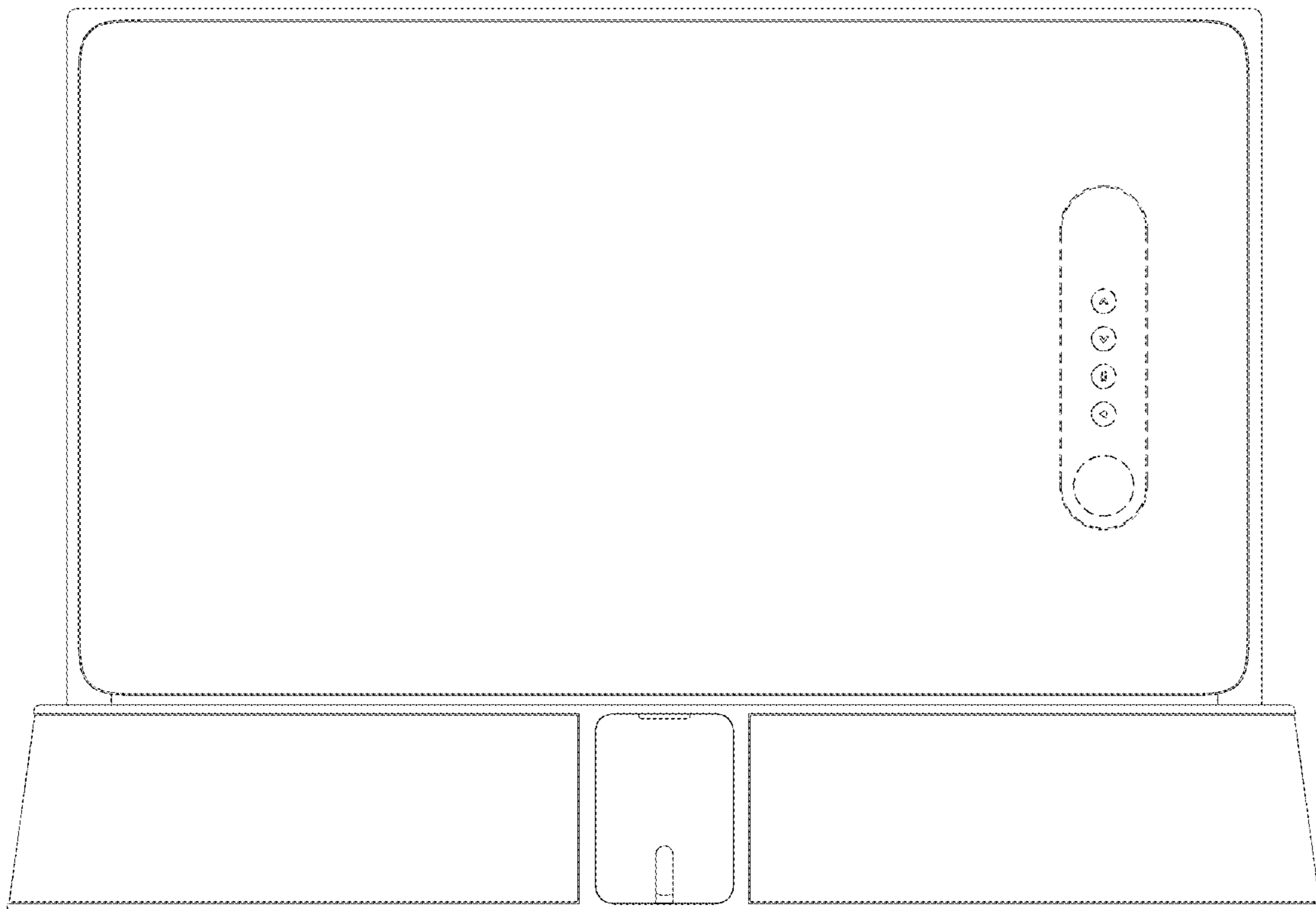


FIG. 4

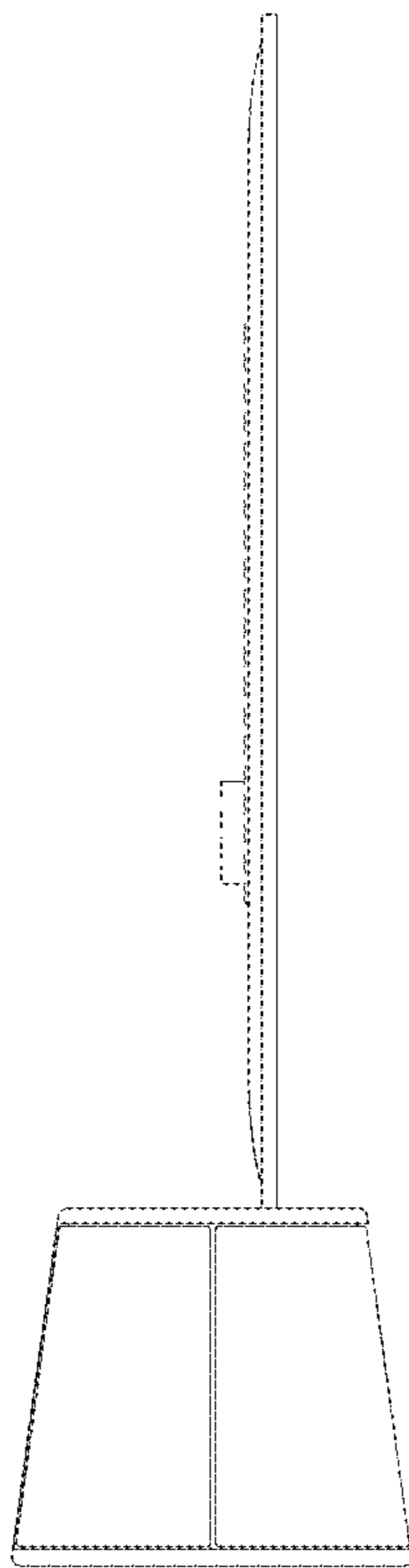


FIG. 5

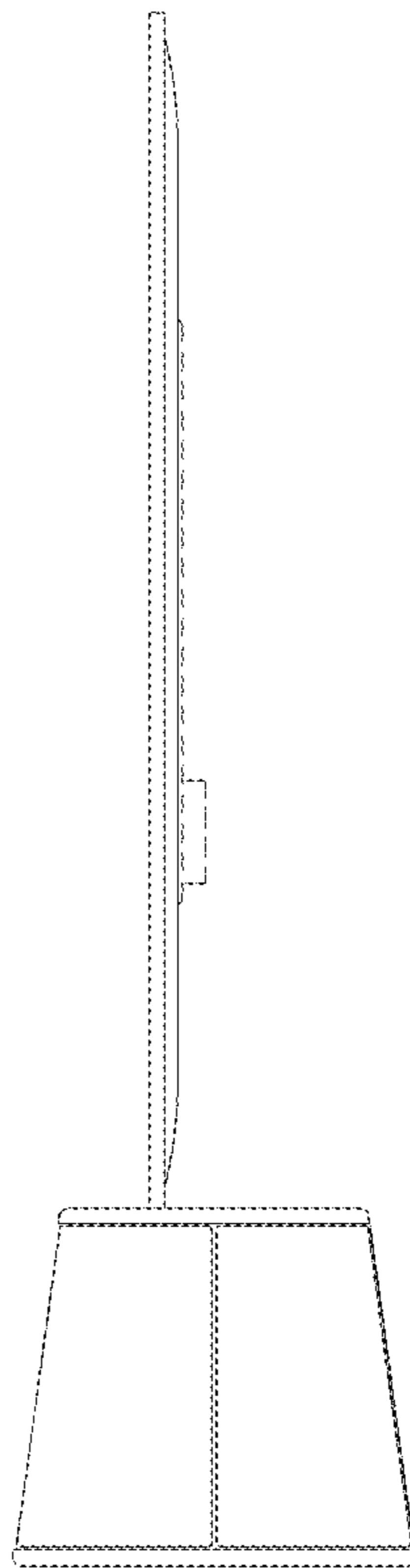


FIG. 6

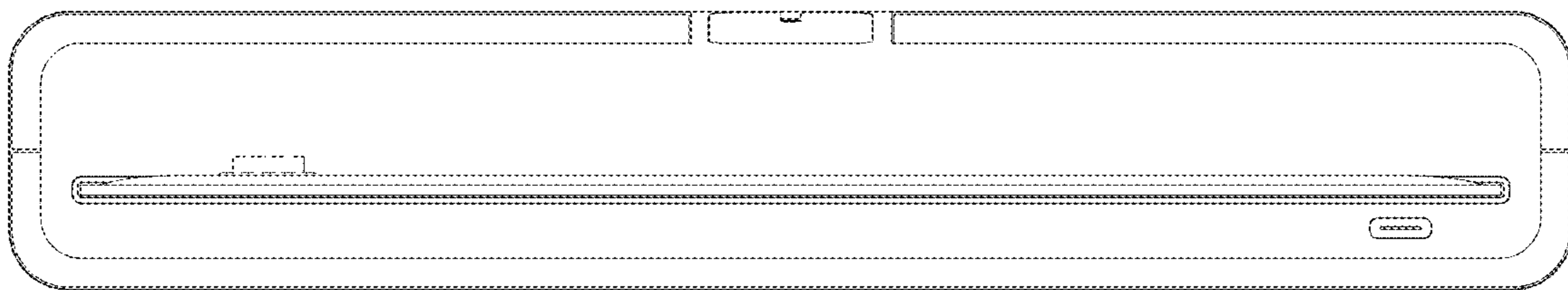


FIG. 7

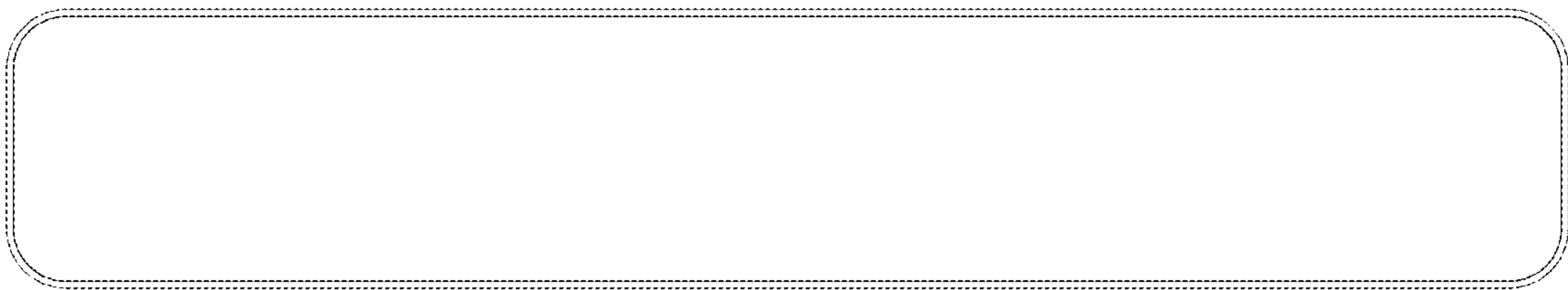


FIG. 8

