



US00D977444S

(12) **United States Design Patent**
Chun et al.

(10) **Patent No.:** **US D977,444 S**
(45) **Date of Patent:** **** Feb. 7, 2023**

(54) **TELEVISION RECEIVER**

(71) Applicant: **SAMSUNG ELECTRONICS CO., LTD.**, Suwon-si (KR)

(72) Inventors: **Bumho Chun**, Suwon-si (KR);
Gyoosang Choi, Suwon-si (KR)

(73) Assignee: **SAMSUNG ELECTRONICS CO., LTD.**, Gyeonggi-Do (KR)

(**) Term: **15 Years**

(21) Appl. No.: **29/785,327**

(22) Filed: **May 25, 2021**

(30) **Foreign Application Priority Data**

Dec. 1, 2020 (KR) 30-2020-0058801

(51) **LOC (14) Cl.** **14-03**

(52) **U.S. Cl.**
USPC **D14/126**

(58) **Field of Classification Search**
USPC D14/125-135, 239, 371, 136, 374-377,
D14/440, 450, 448, 336, 342, 159, 251,
D14/209.1, 238

(Continued)

(56) **References Cited**

U.S. PATENT DOCUMENTS

D735,153 S * 7/2015 Snyder D14/126
D779,446 S * 2/2017 Bouroullec D14/126

(Continued)

FOREIGN PATENT DOCUMENTS

CN 303816264 S 8/2016
EM 004372001-0003 9/2017

(Continued)

OTHER PUBLICATIONS

LG OLED, first available Jun. 13, 2022 [online], [retrieved Aug. 26, 2022]. Available from the Internet, URL:<<https://design-milk.com/lg-oled-objet-collection-milan-design-week/>>. (Year: 2022).*

Primary Examiner — Shawn T Gingrich

Assistant Examiner — Russell Carnell Smith, Jr.

(74) *Attorney, Agent, or Firm* — Cantor Colburn LLP

(57) **CLAIM**

The ornamental design for a television receiver, as shown and described.

DESCRIPTION

FIG. 1 is a front perspective view of a television receiver, showing our new design;

FIG. 2 is a front view thereof;

FIG. 3 is a rear view thereof;

FIG. 4 is a left-side view thereof;

FIG. 5 is a right-side view thereof;

FIG. 6 is a top view thereof;

FIG. 7 is a bottom view thereof;

FIG. 8 is a rear perspective view thereof;

FIG. 9 is an enlarged view of the encircled portion 9 in FIG. 1;

FIG. 10 is an enlarged view of the encircled portion 10 in FIG. 1;

FIG. 11 is an enlarged view of the encircled portion 11 in FIG. 1;

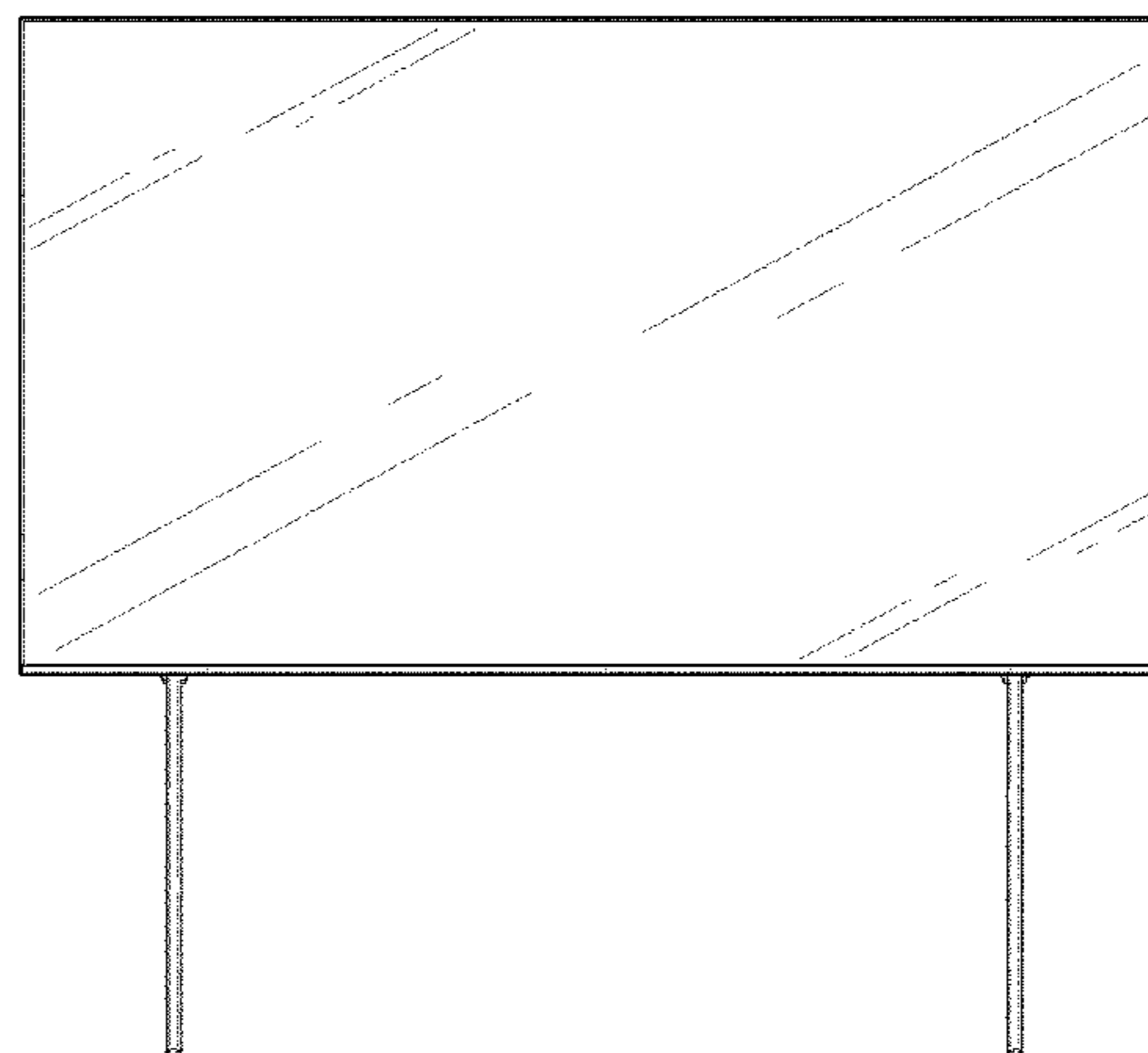
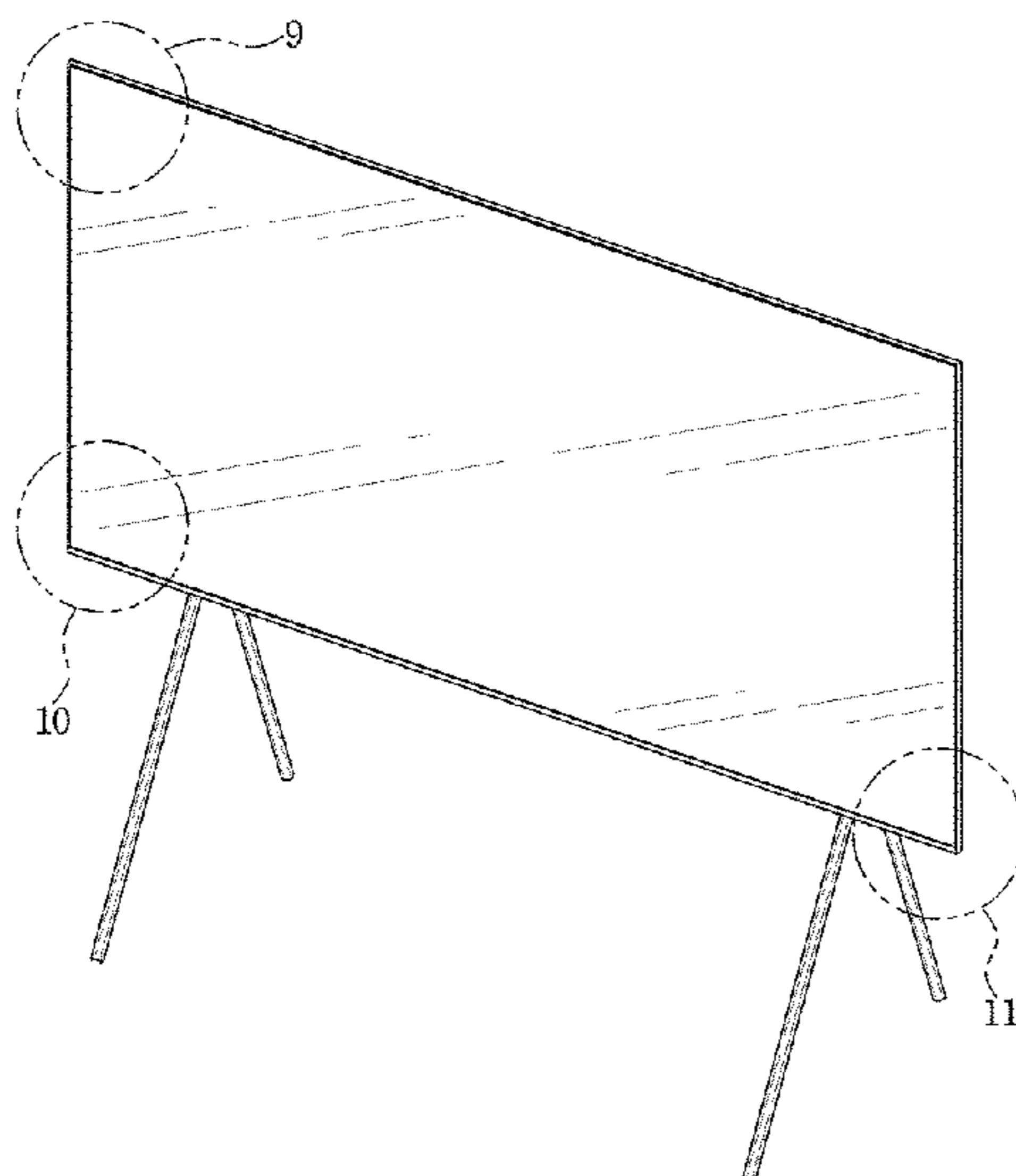
FIG. 12 is an enlarged view of the encircled portion 12 in FIG. 4;

FIG. 13 is an enlarged view of the encircled portion 13 in FIG. 4; and,

FIG. 14 is an enlarged view of the encircled portion 14 in FIG. 7.

The even-dash broken lines illustrating portions of the television receiver form no part of the claimed design. The dot-dot-dash broken lines encircling enlargement portions of the claimed design form no part of the claimed design.

1 Claim, 14 Drawing Sheets



(58) **Field of Classification Search**

CPC H04N 7/00; H04N 9/3141; H04N 13/0459;
H04N 17/04; H04N 17/004; H04N
21/43637; G06F 1/1601; G06F 1/1605;
G06F 1/162

See application file for complete search history.

(56) **References Cited**

U.S. PATENT DOCUMENTS

D791,094 S	*	7/2017	Han	D14/126
D799,443 S	*	10/2017	Park	D14/126
D823,824 S	*	7/2018	Won	D14/126
D861,626 S	*	10/2019	Wu	D14/126
D864,886 S	*	10/2019	Kim	D14/126
D898,688 S	*	10/2020	Lee	D14/126
D899,387 S	*	10/2020	Lee	D14/126
D952,619 S	*	5/2022	Kim	D14/239
D960,847 S	*	8/2022	Kim	D14/126

FOREIGN PATENT DOCUMENTS

JP	D1623185	*	1/2019
KR	300839392 S		2/2016
KR	300960560 S		6/2018
KR	300960569 S		6/2018

* cited by examiner

FIG. 1

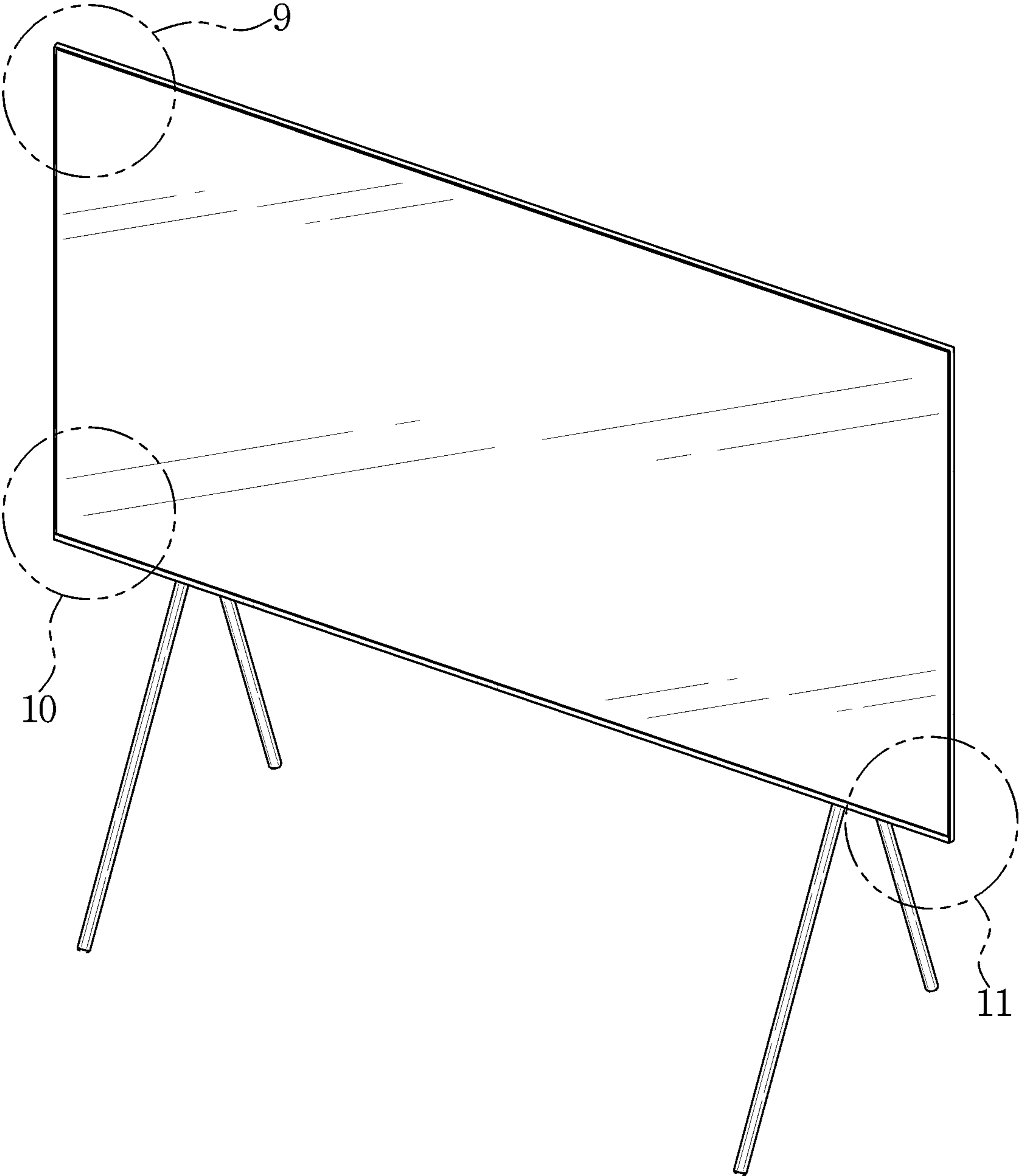


FIG. 2

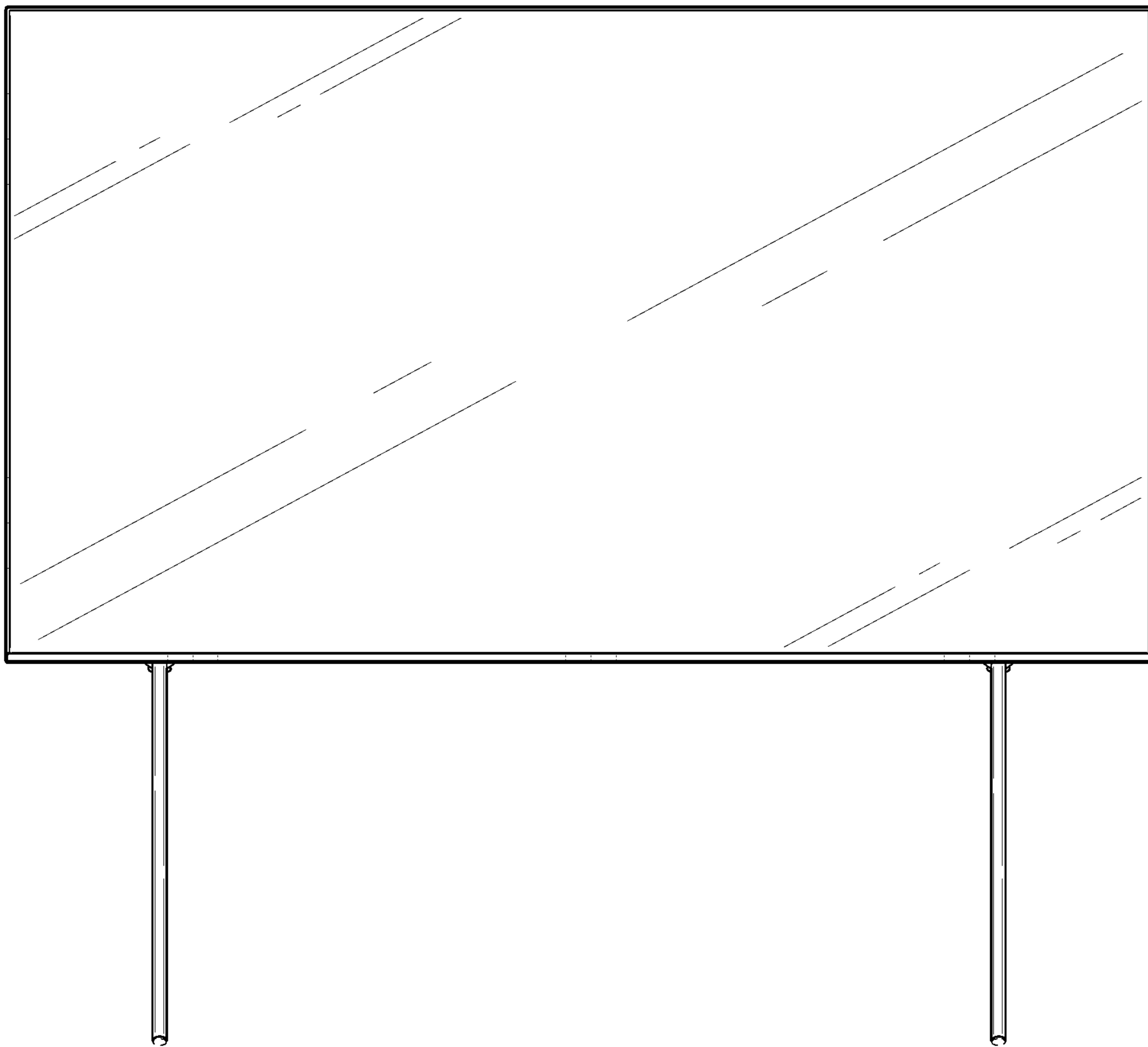


FIG. 3

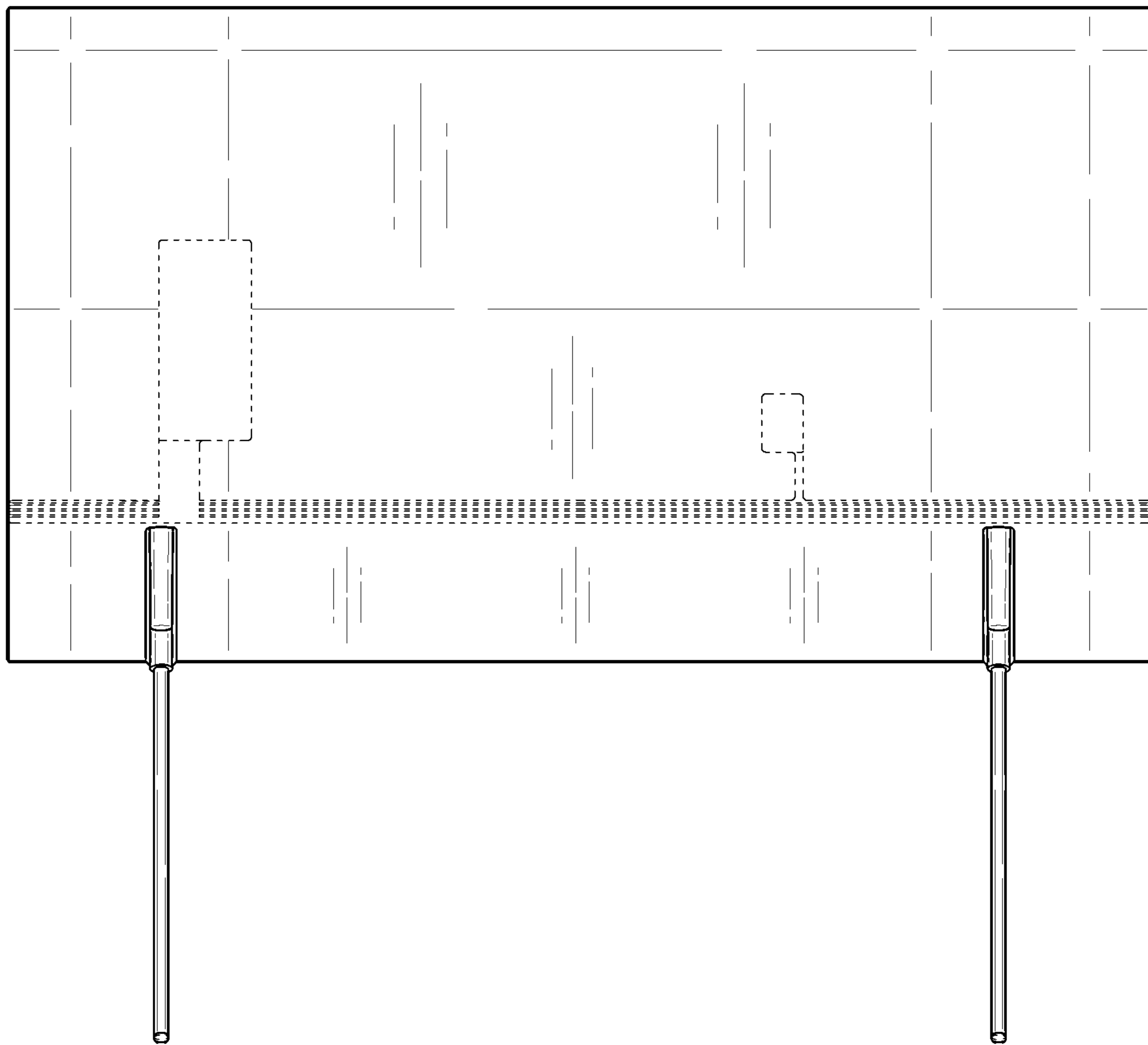


FIG. 4

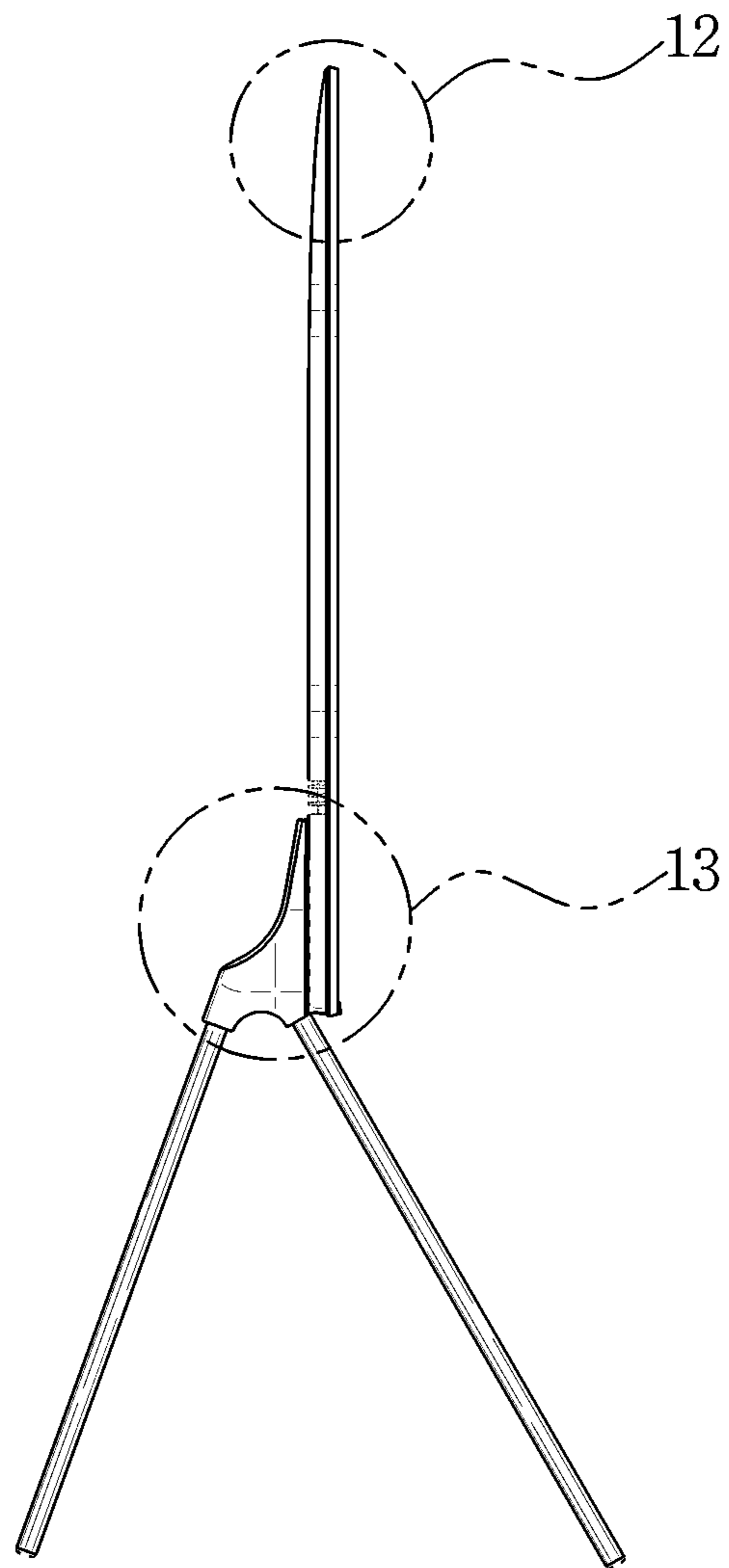


FIG. 5

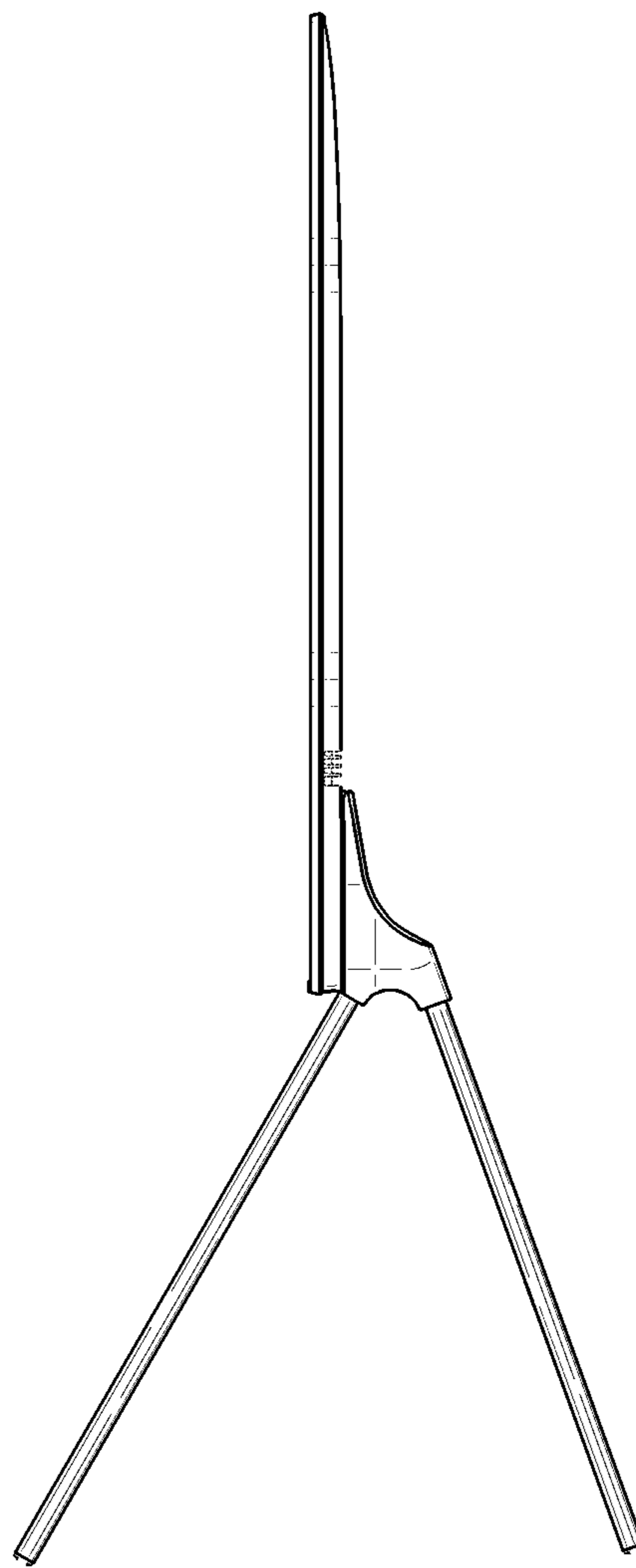


FIG. 6

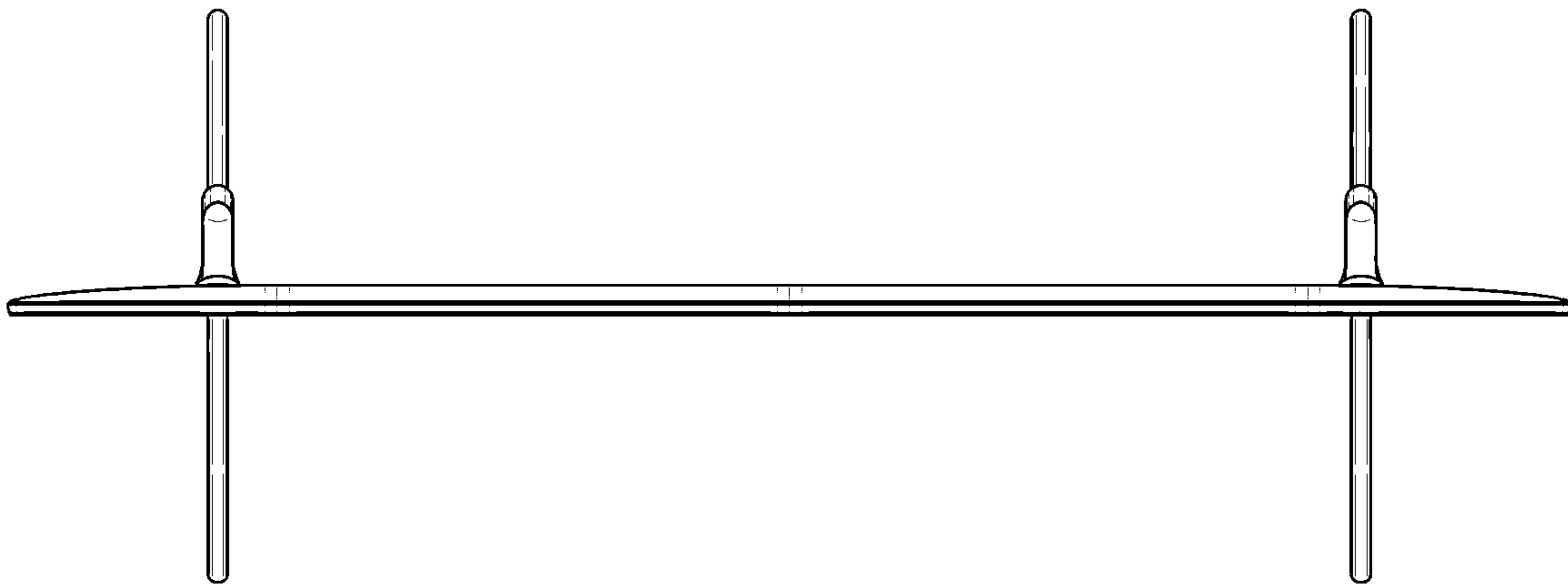


FIG. 7

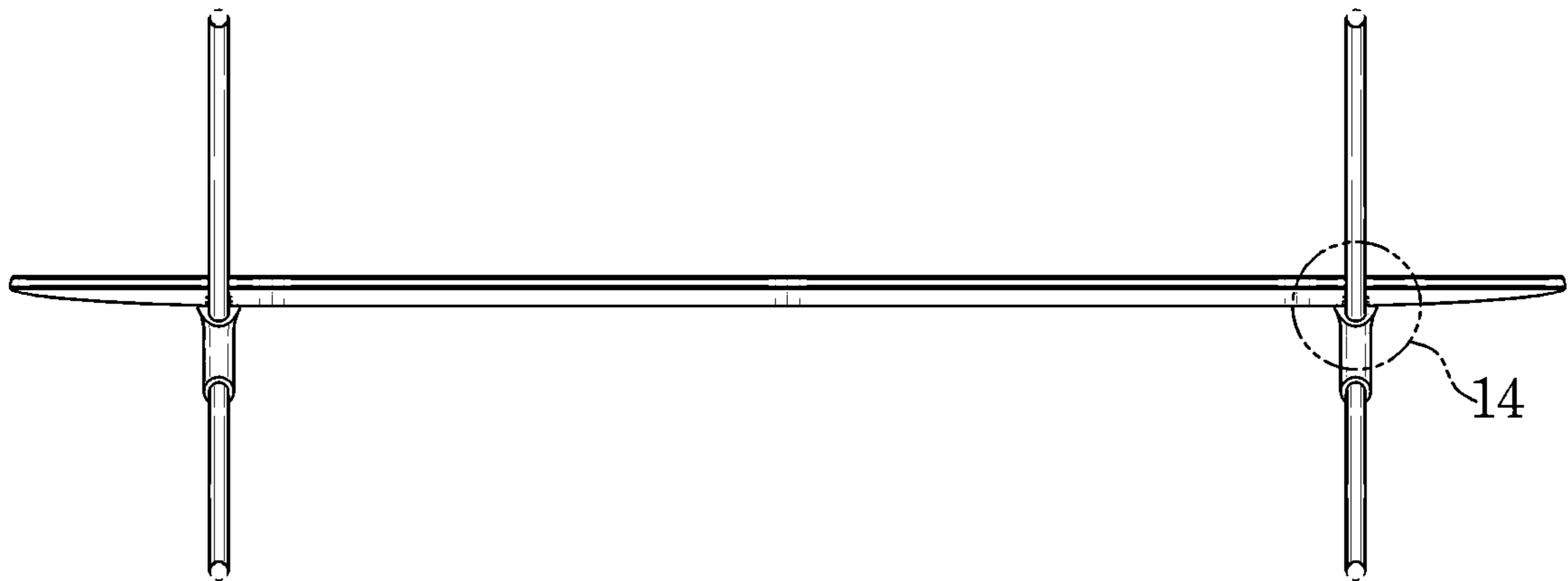


FIG. 8

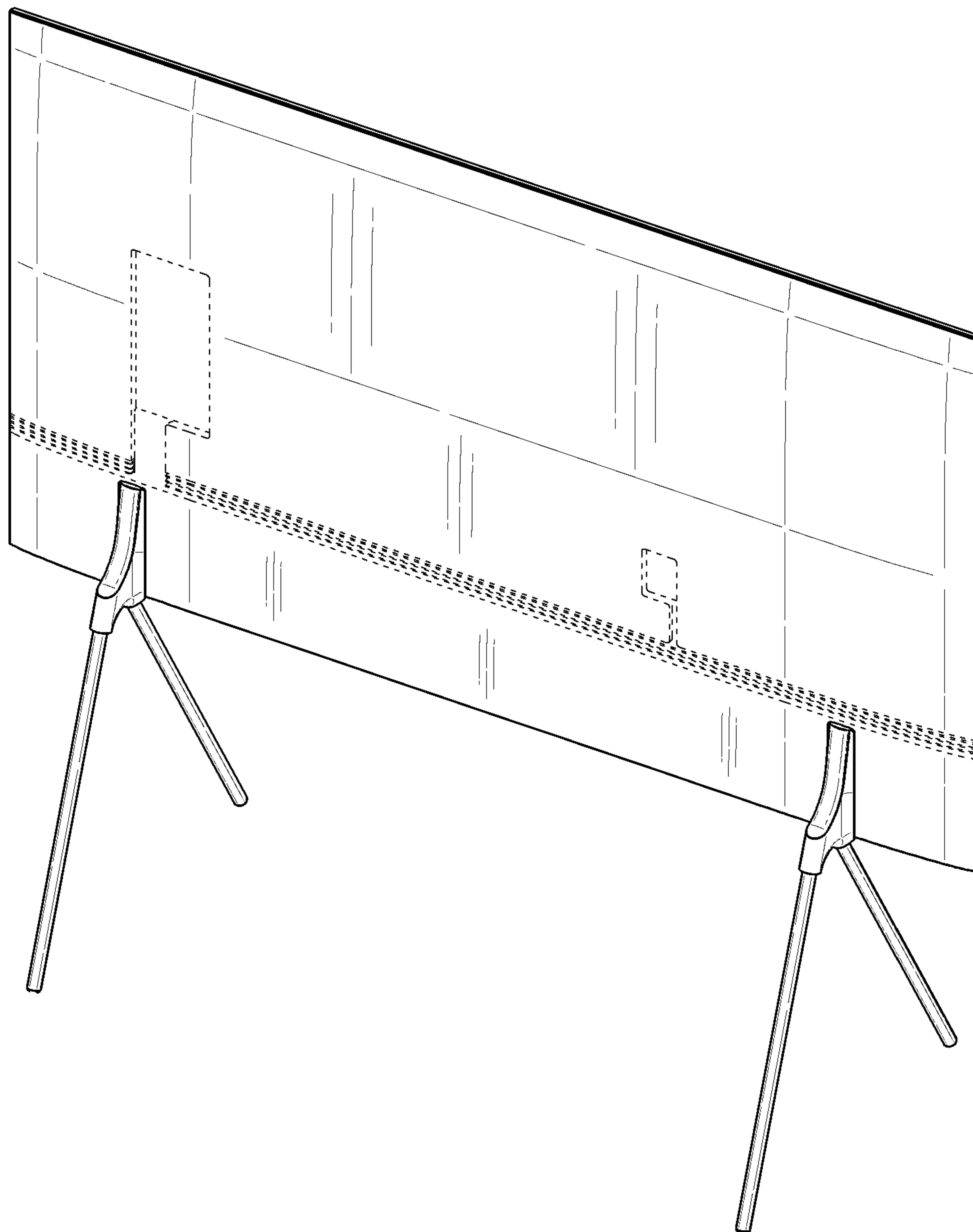


FIG. 9

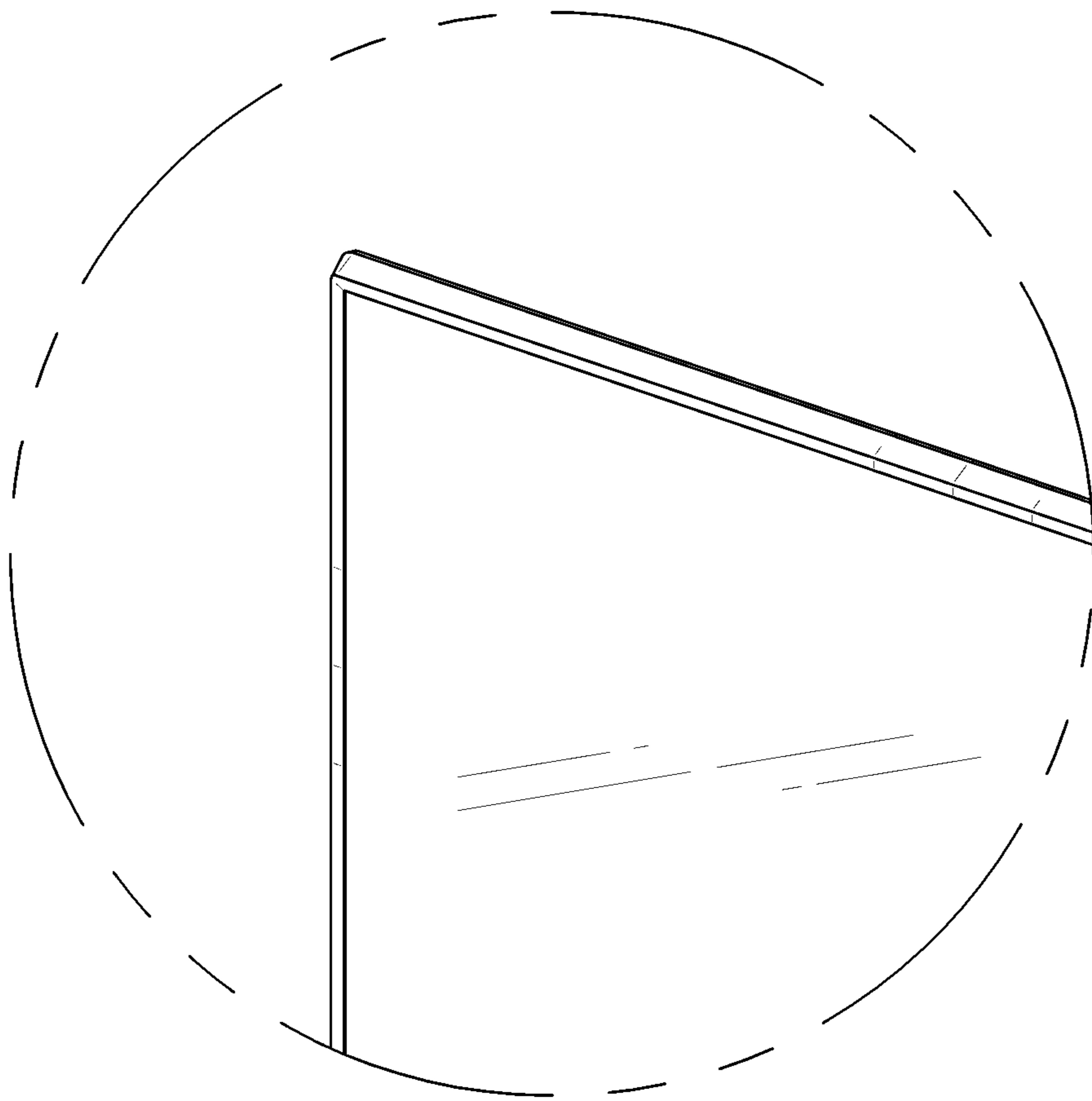


FIG. 10

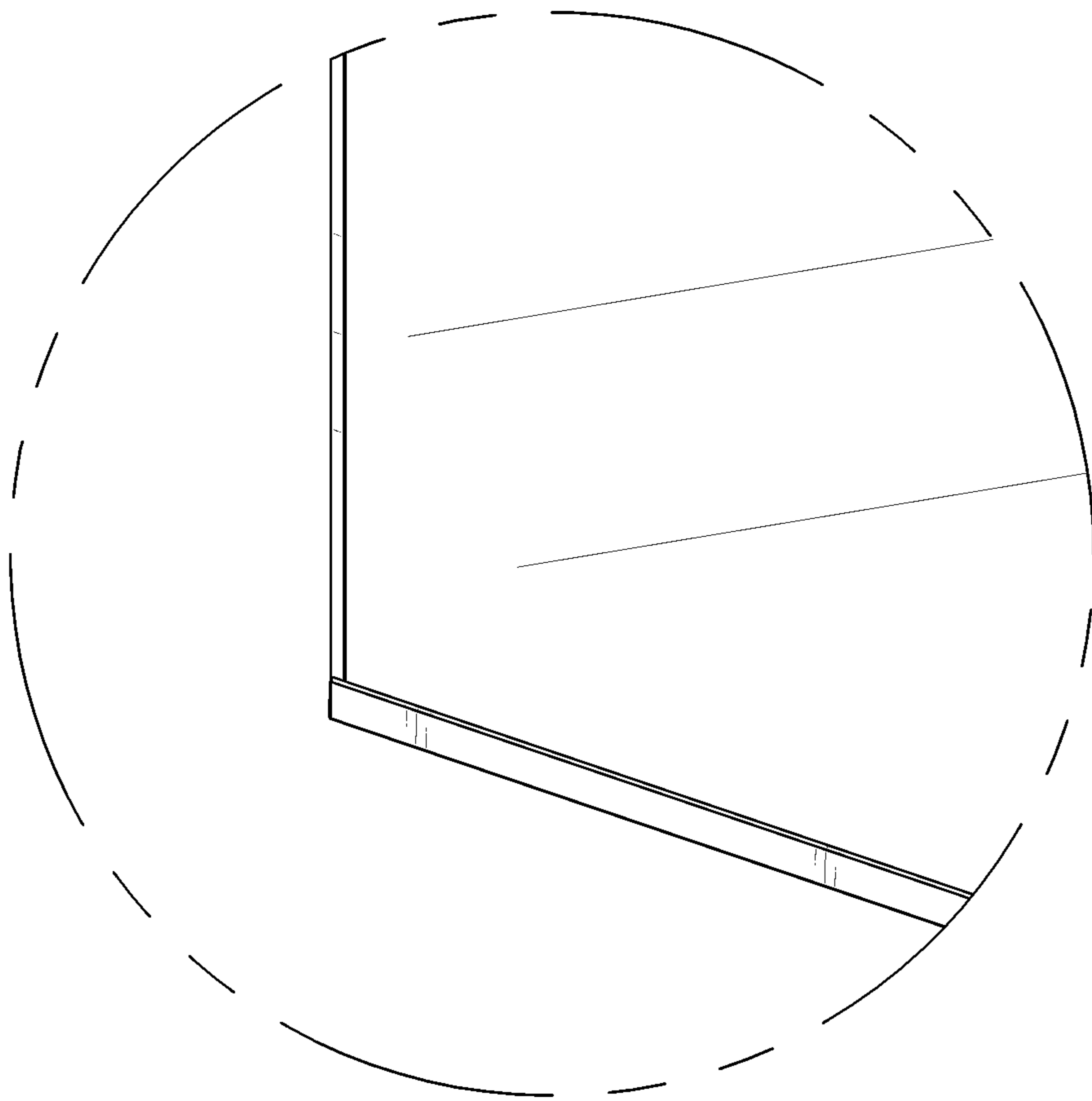


FIG. 11

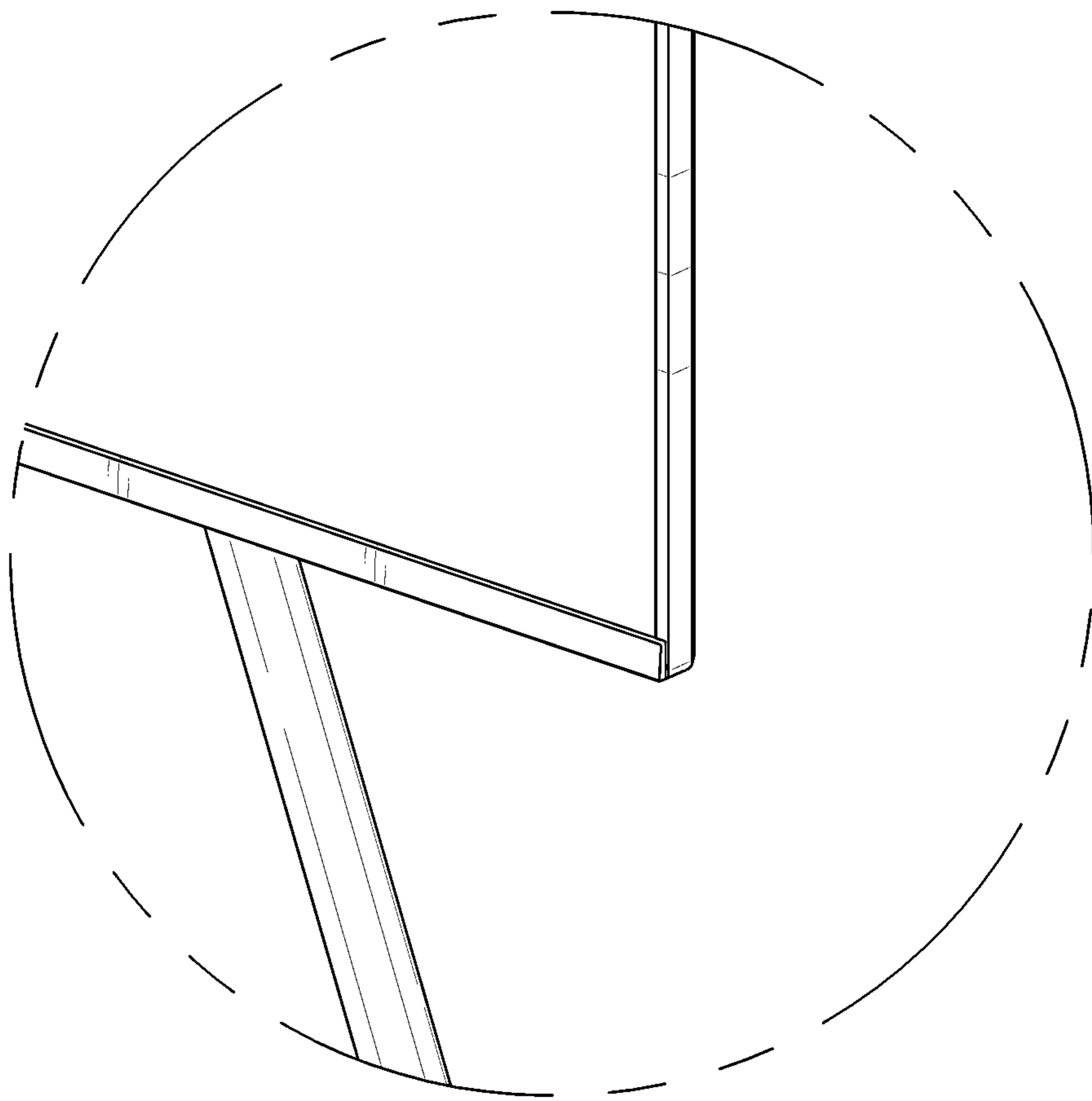


FIG. 12

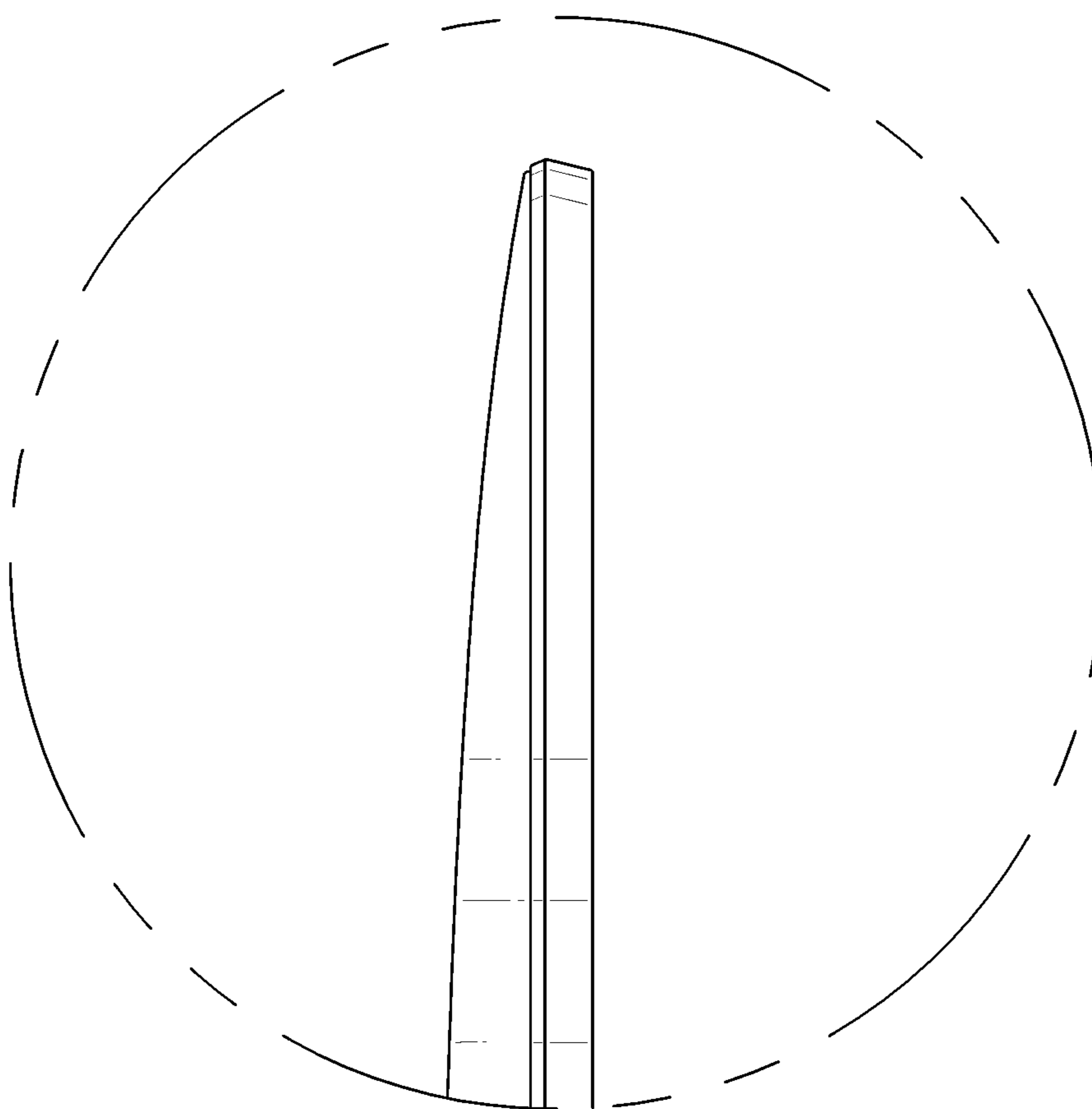


FIG. 13

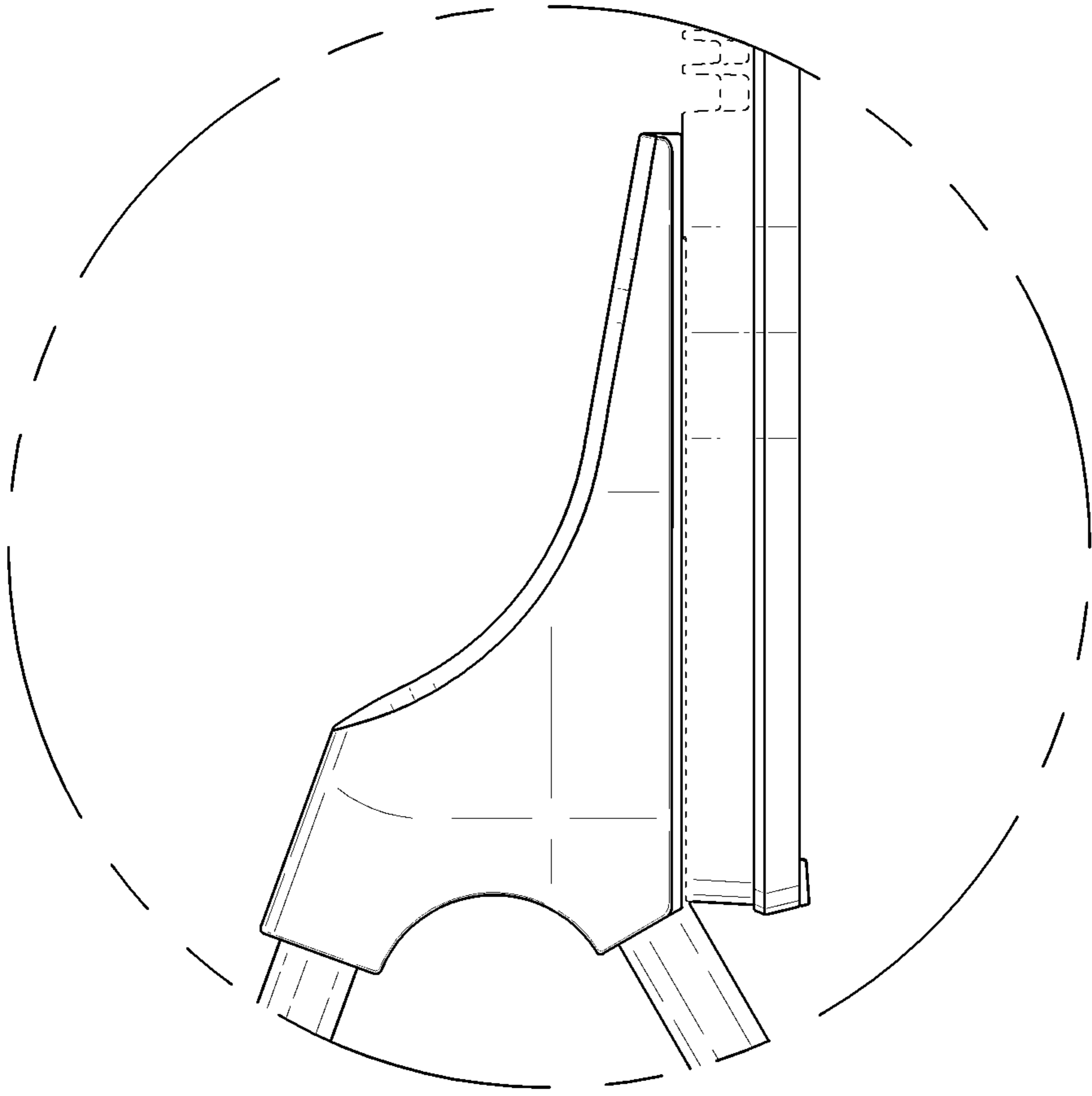


FIG. 14

