



US00D977443S

(12) **United States Design Patent**
Kim et al.

(10) **Patent No.:** **US D977,443 S**

(45) **Date of Patent:** **** Feb. 7, 2023**

(54) **TELEVISION**

(71) Applicant: **Samsung Electronics Co., Ltd.**,
Suwon-si (KR)

(72) Inventors: **Eunah Kim**, Suwon-si (KR); **Chulyong Cho**, Suwon-si (KR); **Jaeneung Lee**, Suwon-si (KR); **Jihae Lim**, Suwon-si (KR); **Chanhee Han**, Suwon-si (KR)

(73) Assignee: **Samsung Electronics Co., Ltd.**,
Suwon-si (KR)

(**) Term: **15 Years**

(21) Appl. No.: **29/739,448**

(22) Filed: **Jun. 25, 2020**

(30) **Foreign Application Priority Data**

Dec. 27, 2019 (KR) 30-2019-0063466

(51) **LOC (14) Cl.** **14-03**

(52) **U.S. Cl.**
USPC **D14/126; D14/374**

(58) **Field of Classification Search**
USPC D14/336, 371, 374, 125, 126, 129, 496,
D14/203.1, 203.7; D21/329, 332;
D20/18, 42

(Continued)

(56) **References Cited**

U.S. PATENT DOCUMENTS

D572,676 S * 7/2008 Niitsu D14/126
D718,731 S * 12/2014 Lee D14/126

(Continued)

FOREIGN PATENT DOCUMENTS

CN 305412896 * 11/2019
CN 305412897 * 11/2019

(Continued)

OTHER PUBLICATIONS

The Wall: Luxury home in London | Samsung, Dec. 4, 2020 [online], retrieved Aug. 10, 2022, retrieved from the internet: < https://www.youtube.com/watch?v=dcasjyW_OYE > (Year: 2020).*

(Continued)

Primary Examiner — Messina L Smith

Assistant Examiner — Rodolfo Castro, Jr.

(74) *Attorney, Agent, or Firm* — NSIP Law

(57) **CLAIM**

The ornamental design for a television, as shown and described.

DESCRIPTION

FIG. 1 is a front perspective view of a television showing our new design;

FIG. 2 is a front view thereof;

FIG. 3 is a rear view thereof;

FIG. 4 is a left-side view thereof;

FIG. 5 is a right-side view thereof;

FIG. 6 is a top view thereof;

FIG. 7 is a bottom view thereof;

FIG. 8 is a rear perspective view thereof;

FIG. 9 is an enlarged view of the encircled portion in FIG. 1;

FIG. 10 is an enlarged cross-sectional view of the encircled portion in FIG. 2 taken along the line 10-10;

FIG. 11 is an enlarged view of the encircled portion in FIG. 5;

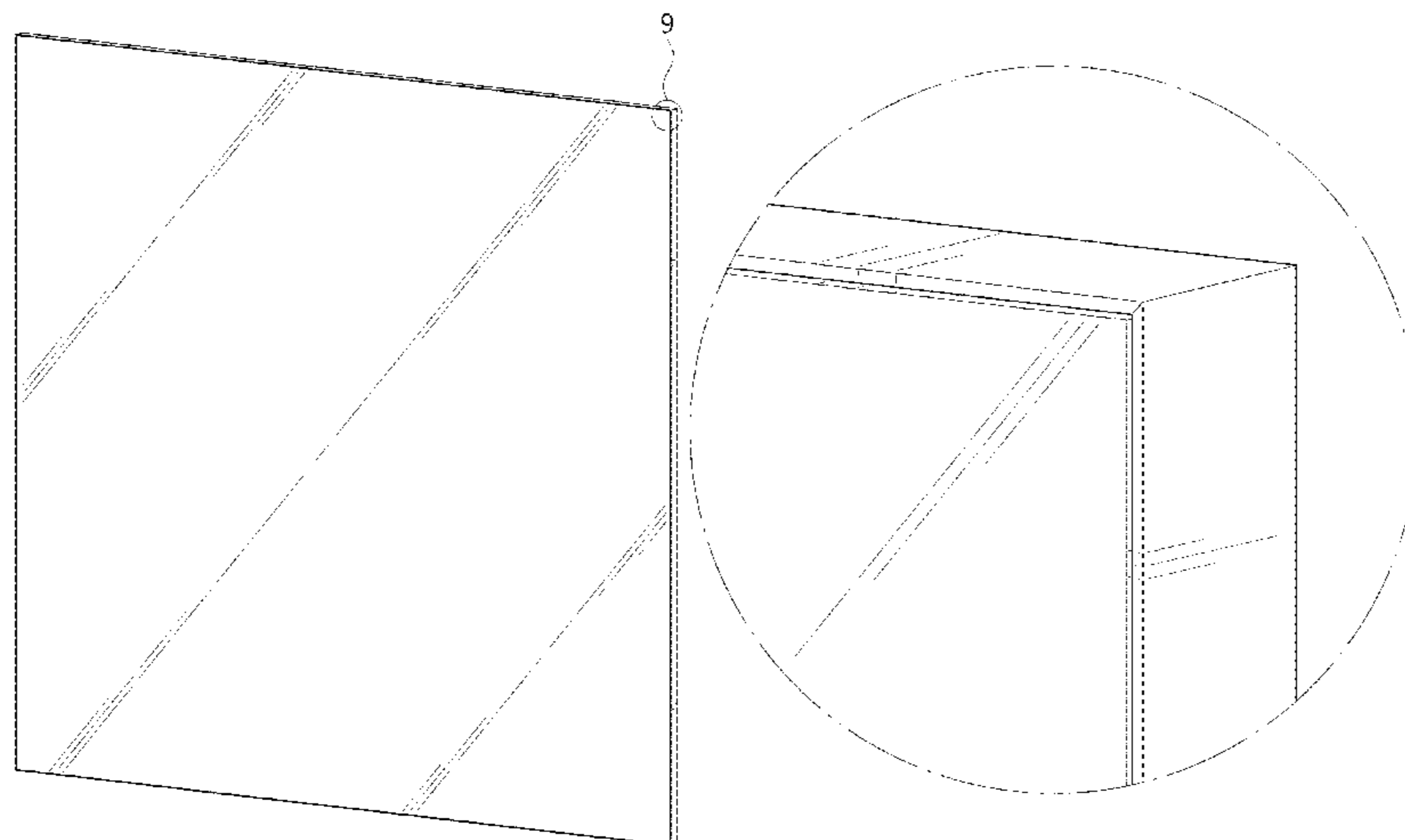
FIG. 12 is an enlarged view of the encircled portion in FIG. 6;

FIG. 13 is an enlarged view of the encircled portion in FIG. 8; and,

FIG. 14 is a perspective view thereof, shown in an environment of use.

The short dash-dash broken lines in FIG. 14 showing a wall and a person are environment and form no part of the claimed design.

(Continued)



The dot-dash broken lines encircling portions of the claimed design that are illustrated in enlargements form no part of the claimed design.

1 Claim, 14 Drawing Sheets

D905,649 S *	12/2020	Kim	D14/126
D924,188 S *	7/2021	Park	D14/126
D926,149 S *	7/2021	Park	D14/126
D934,823 S *	11/2021	Kim	D14/126
D947,163 S *	3/2022	Lee	D14/239
D956,009 S *	6/2022	Lee	D14/126
D956,731 S *	7/2022	Kim	D14/126

(58) Field of Classification Search

CPC G06F 1/16; G06F 1/1613; G06F 1/1626;
 G06F 1/1632; G06F 1/1633; G06F
 1/1641; G06F 1/1692; G06F 1/1601;
 H04B 1/03; H04B 1/08; G06Q 20/00
 See application file for complete search history.

FOREIGN PATENT DOCUMENTS

CN	305420014	*	11/2019
GB	8205021000_1000	*	10/2019
GB	8205025000_1000	*	10/2019
KR	3009153920000	*	5/2019
WO	WO D201596_010	*	8/2019

(56)

References Cited

U.S. PATENT DOCUMENTS

D725,059 S *	3/2015	Kim	D14/126
D742,344 S *	11/2015	Kim	D14/129
D758,982 S *	6/2016	Moon	D14/126
D762,599 S *	8/2016	Moon	D14/126
D776,654 S *	1/2017	Yokota	D14/341
D810,731 S *	2/2018	Henderson	D14/341
D817,902 S *	5/2018	Lee	D14/126
D848,386 S *	5/2019	Kuwao	D14/126
D849,728 S *	5/2019	Kim	D14/239

OTHER PUBLICATIONS

Samsung announces massive 110-inch 4K TV with next-gen MicroLED picture quality, Dec. 9, 2020 [online], retrieved Aug. 10, 2022, retrieved from the internet: < <https://www.theverge.com/2020/12/9/22166062/samsung-110-inch-microled-4k-tv-announced-features>> (Year: 2020).*

LG unveils 163-inch MicroLED TV, Sep. 10, 2020 [online], retrieved Aug. 10, 2022, retrieved from the internet: < <https://www.techspot.com/news/86696-lg-unveils-163-inch-microled-tv.html>> (Year: 2020).*

* cited by examiner

FIG. 1

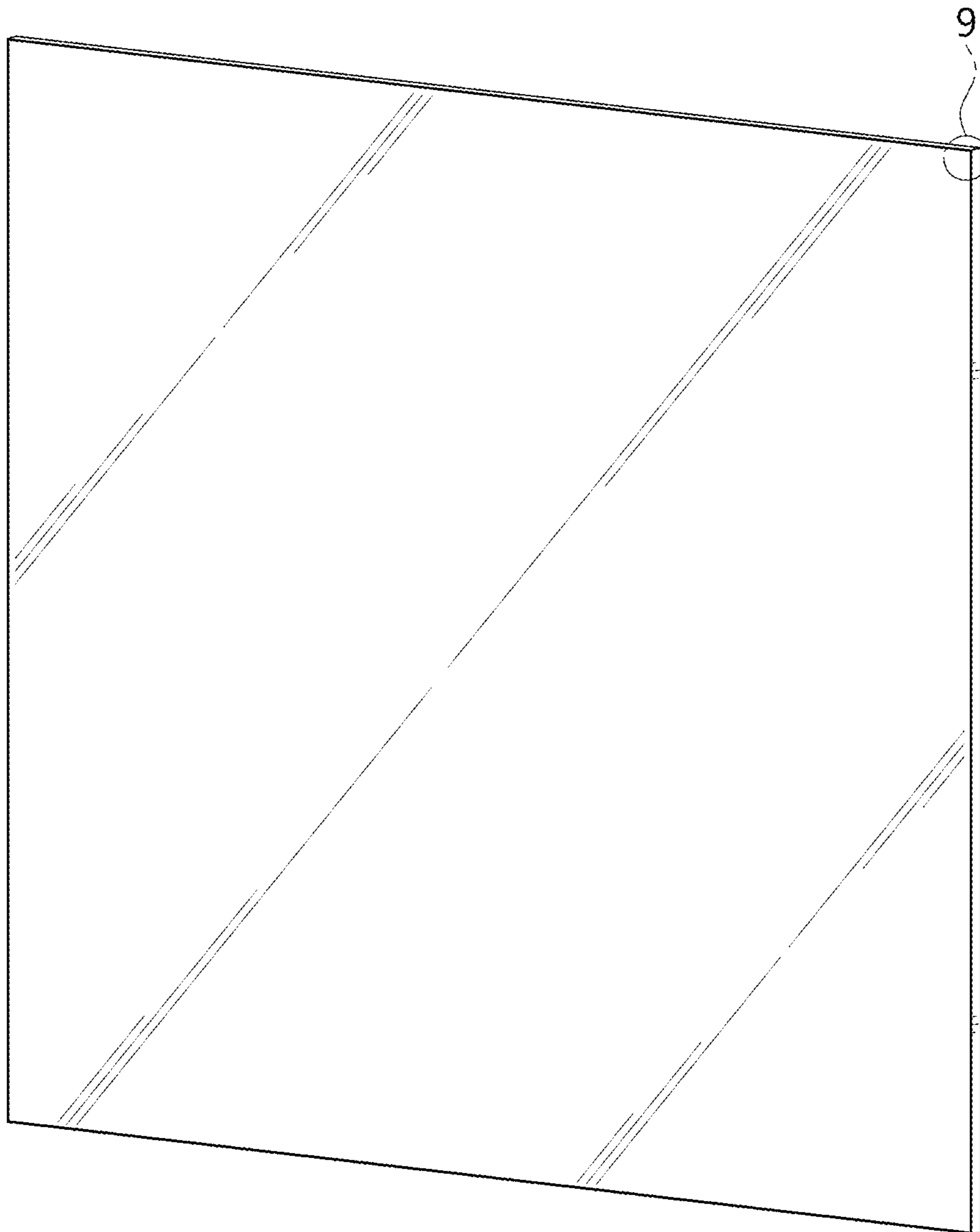


FIG. 2

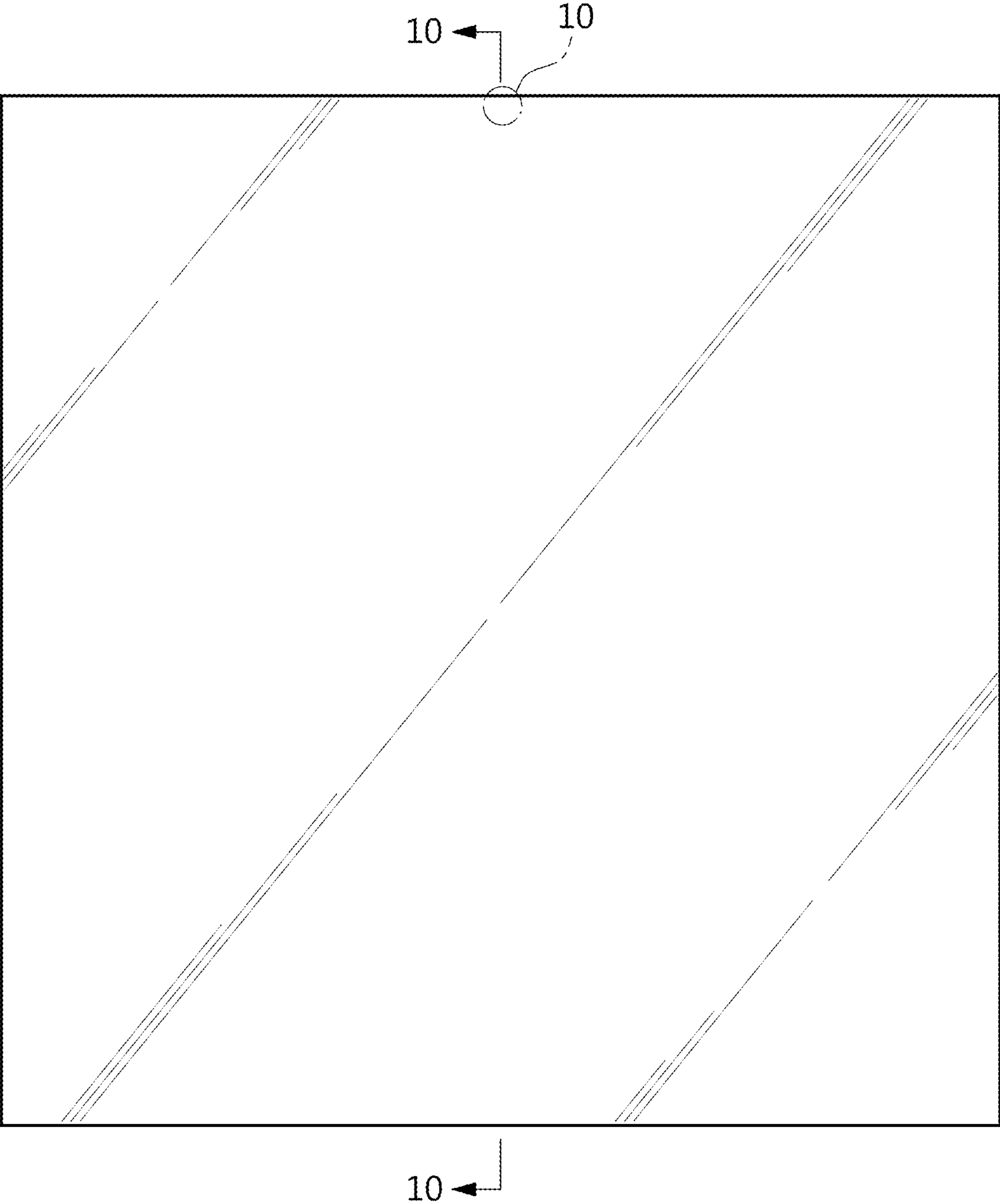


FIG. 3

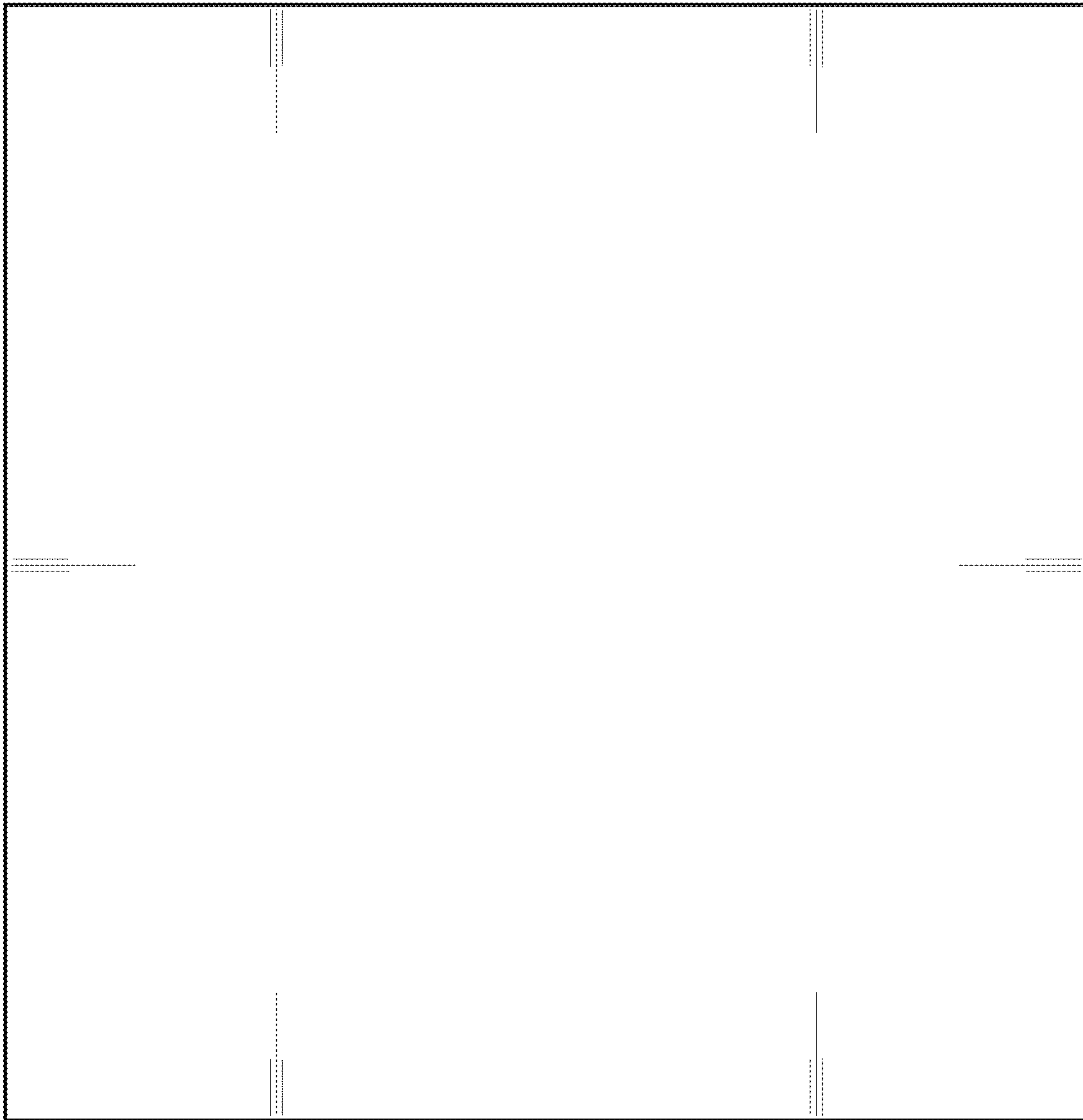


FIG. 4



FIG. 5

11

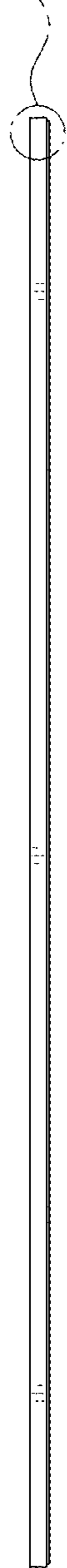


FIG. 6

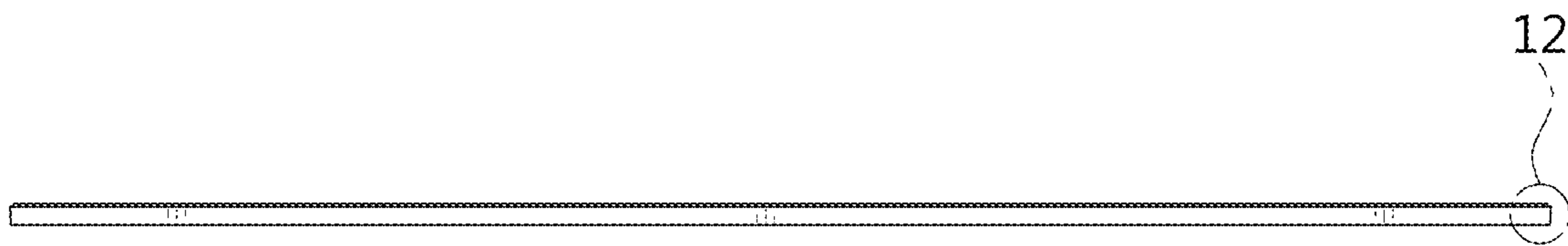


FIG. 7

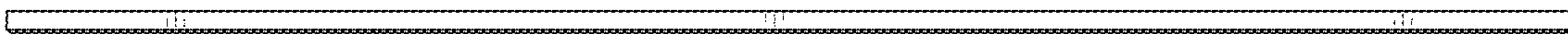


FIG. 8

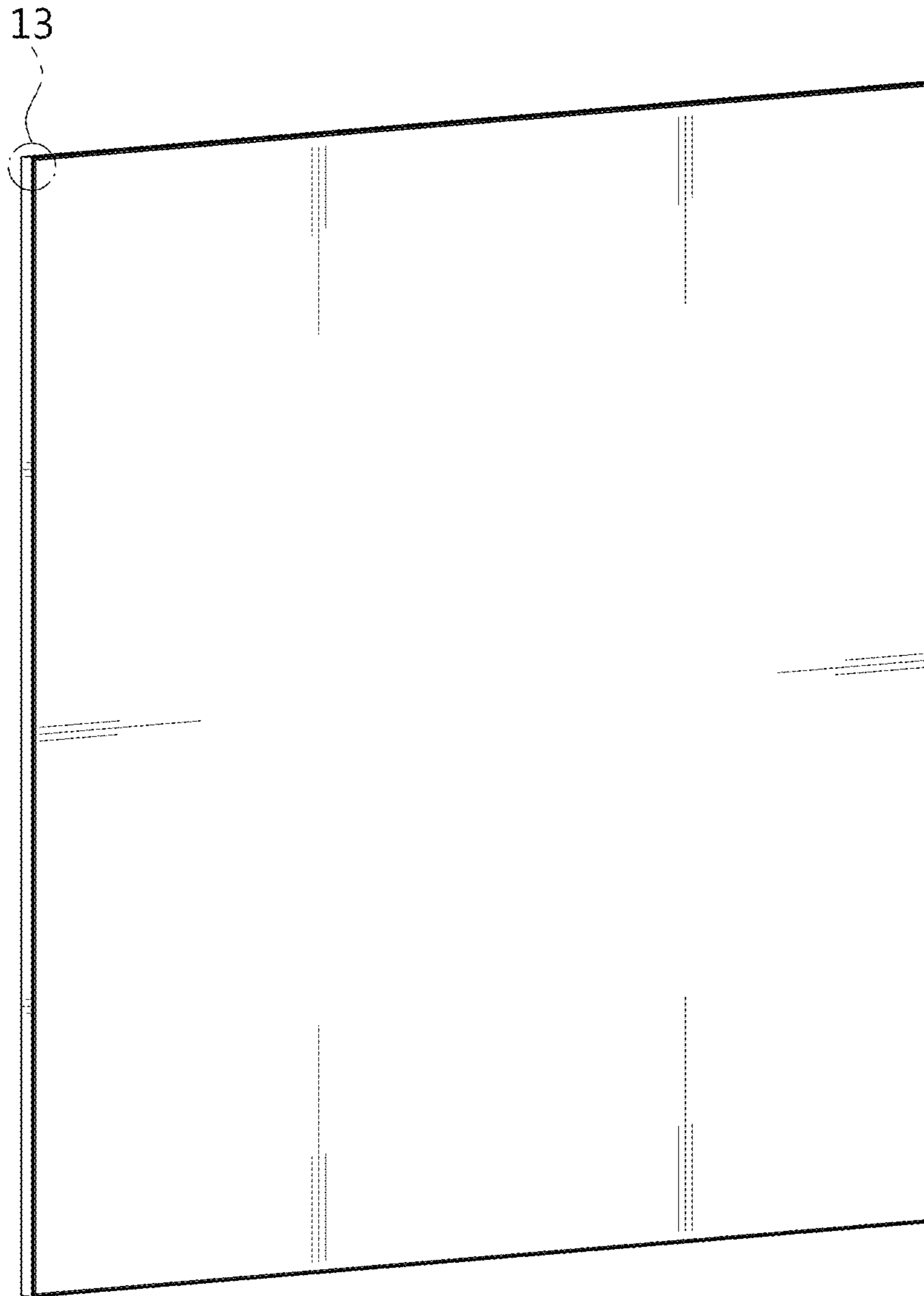


FIG. 9

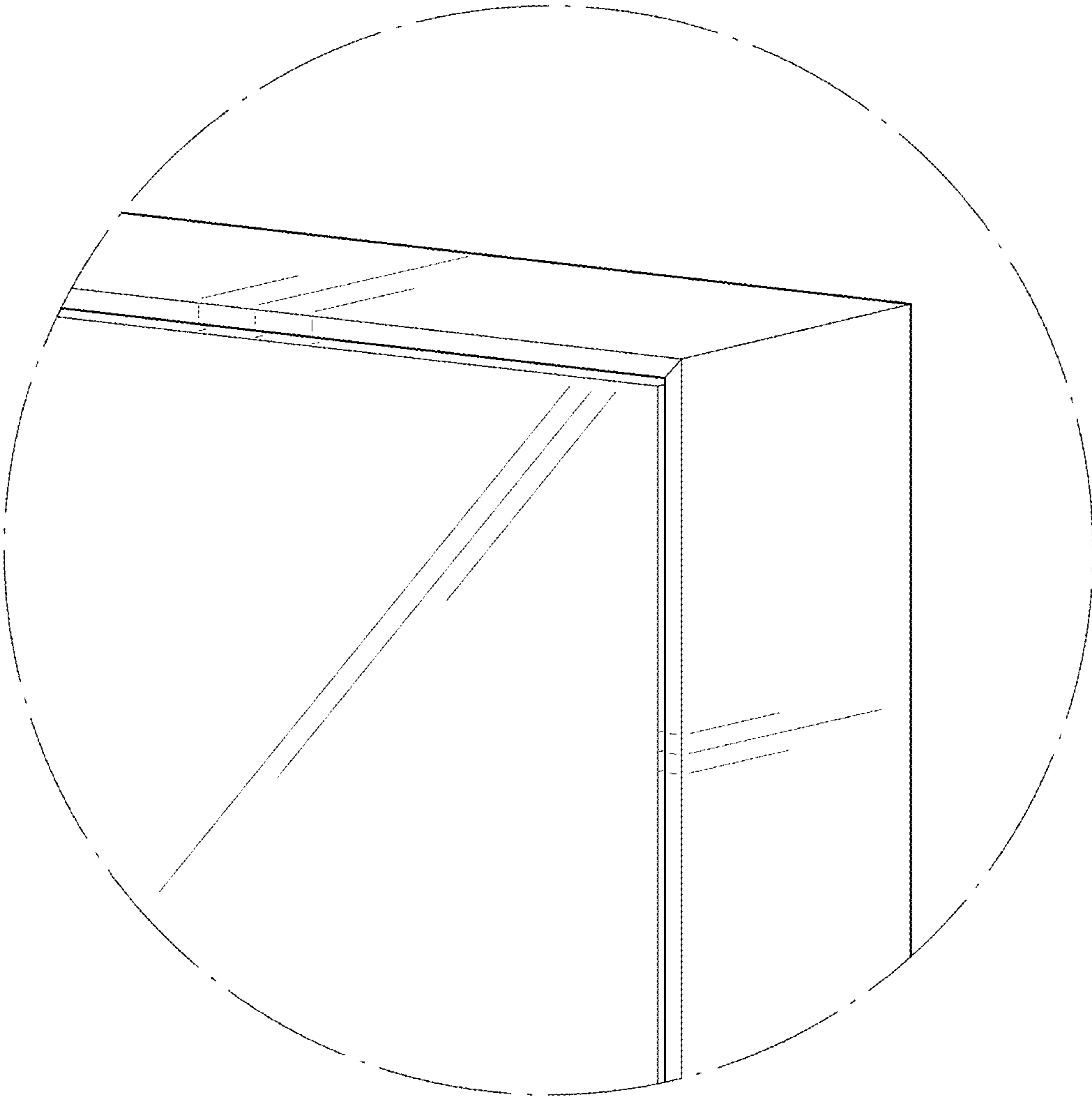


FIG. 10

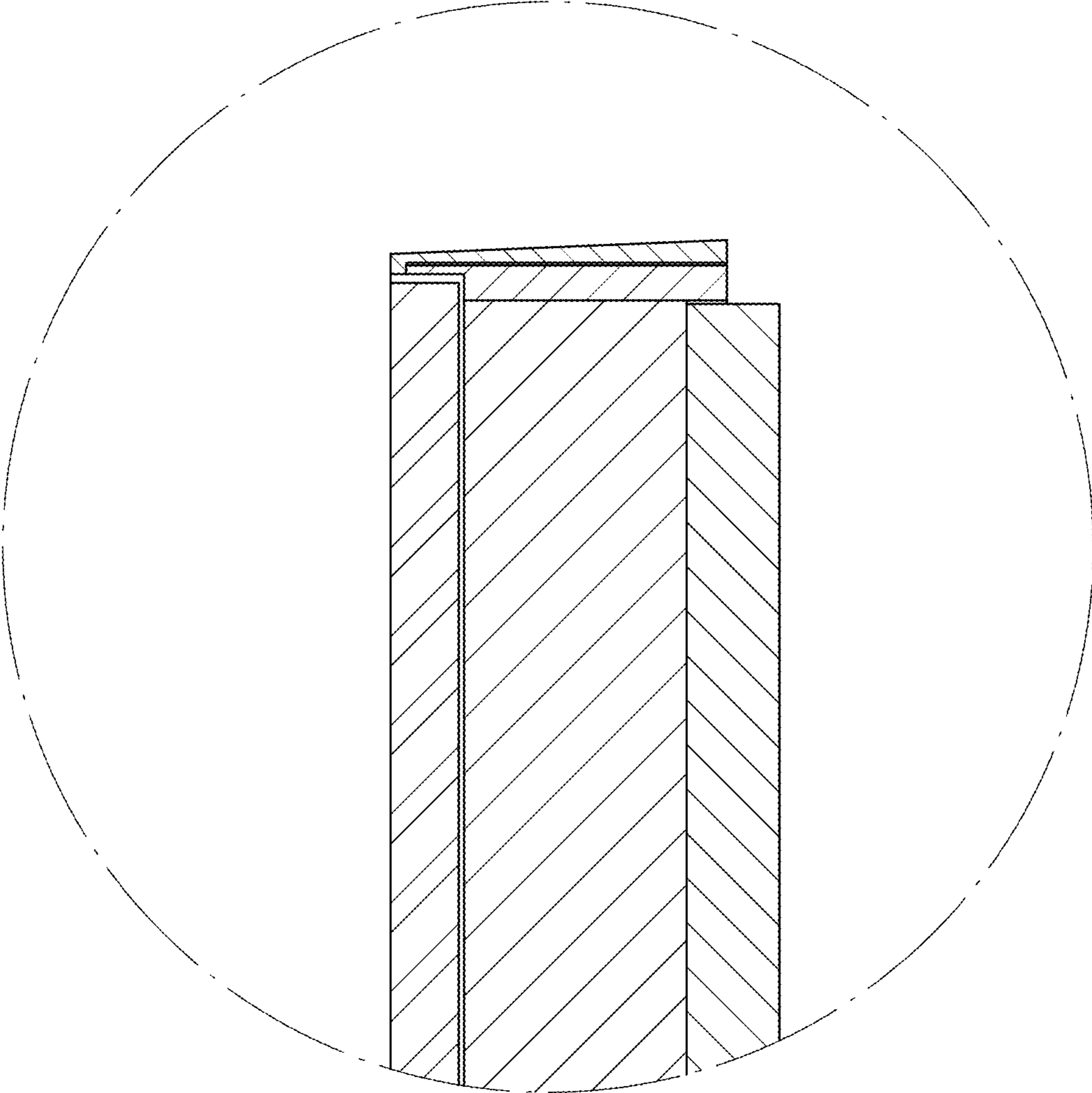


FIG. 11

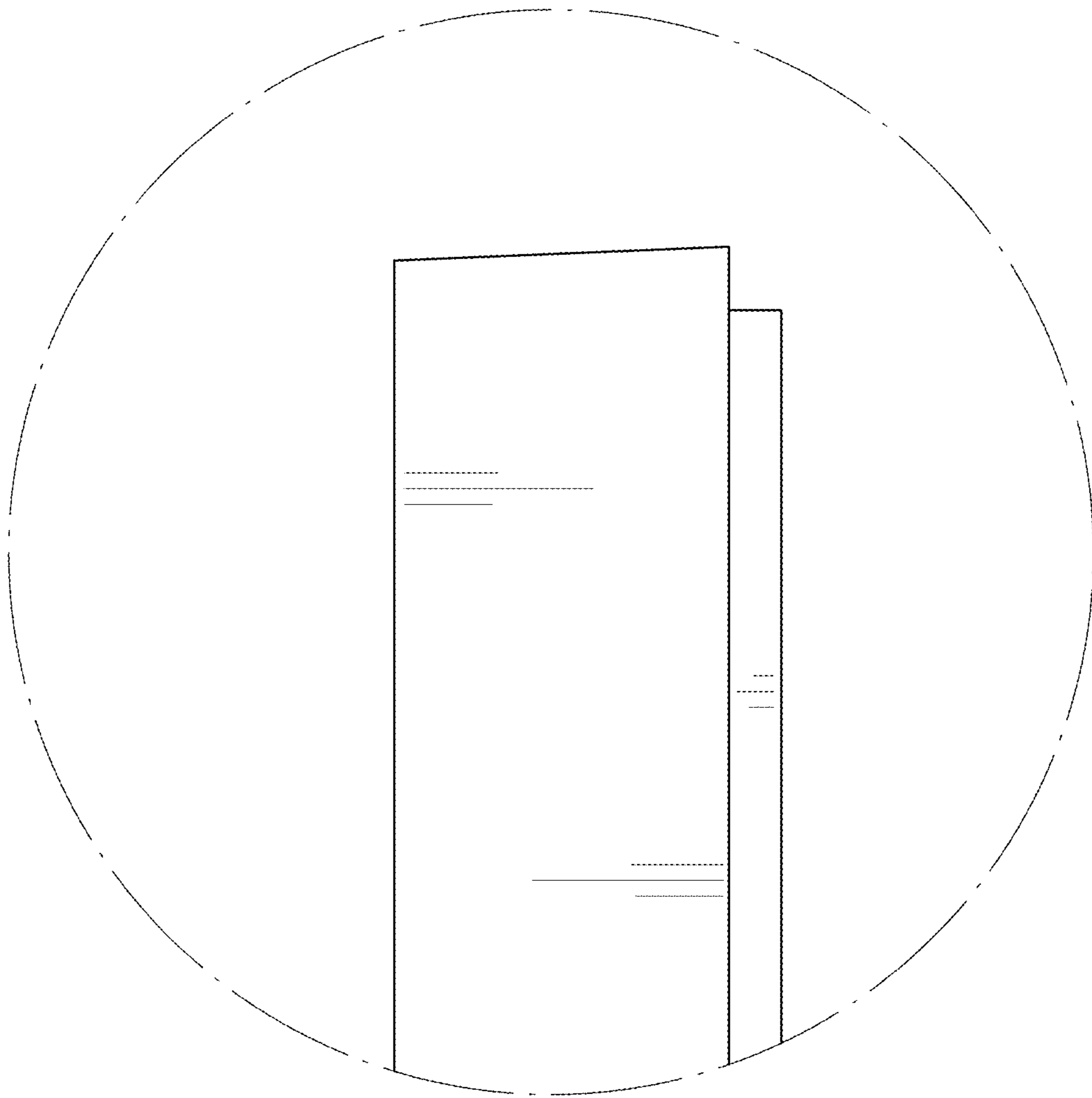


FIG. 12

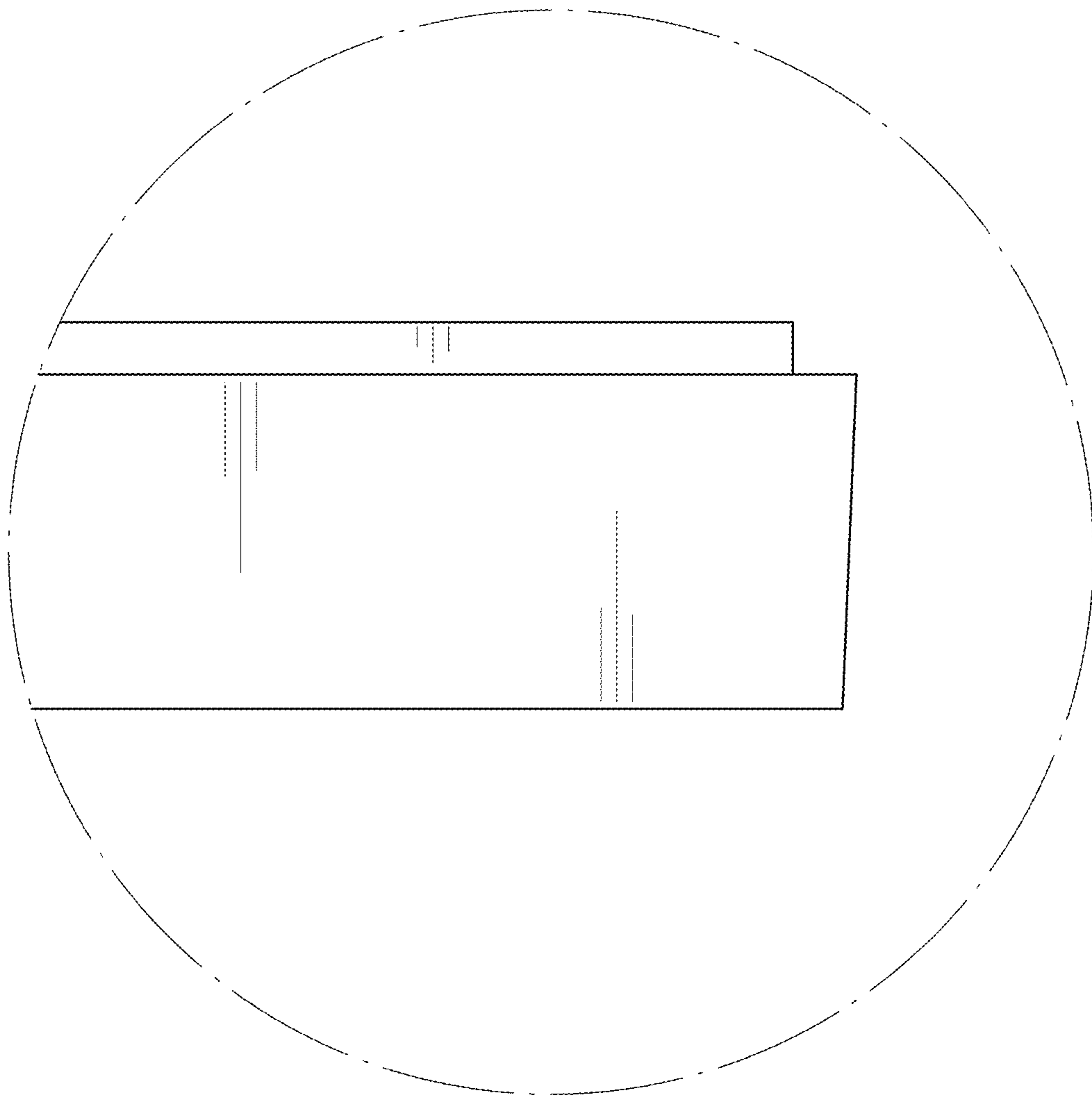


FIG. 13

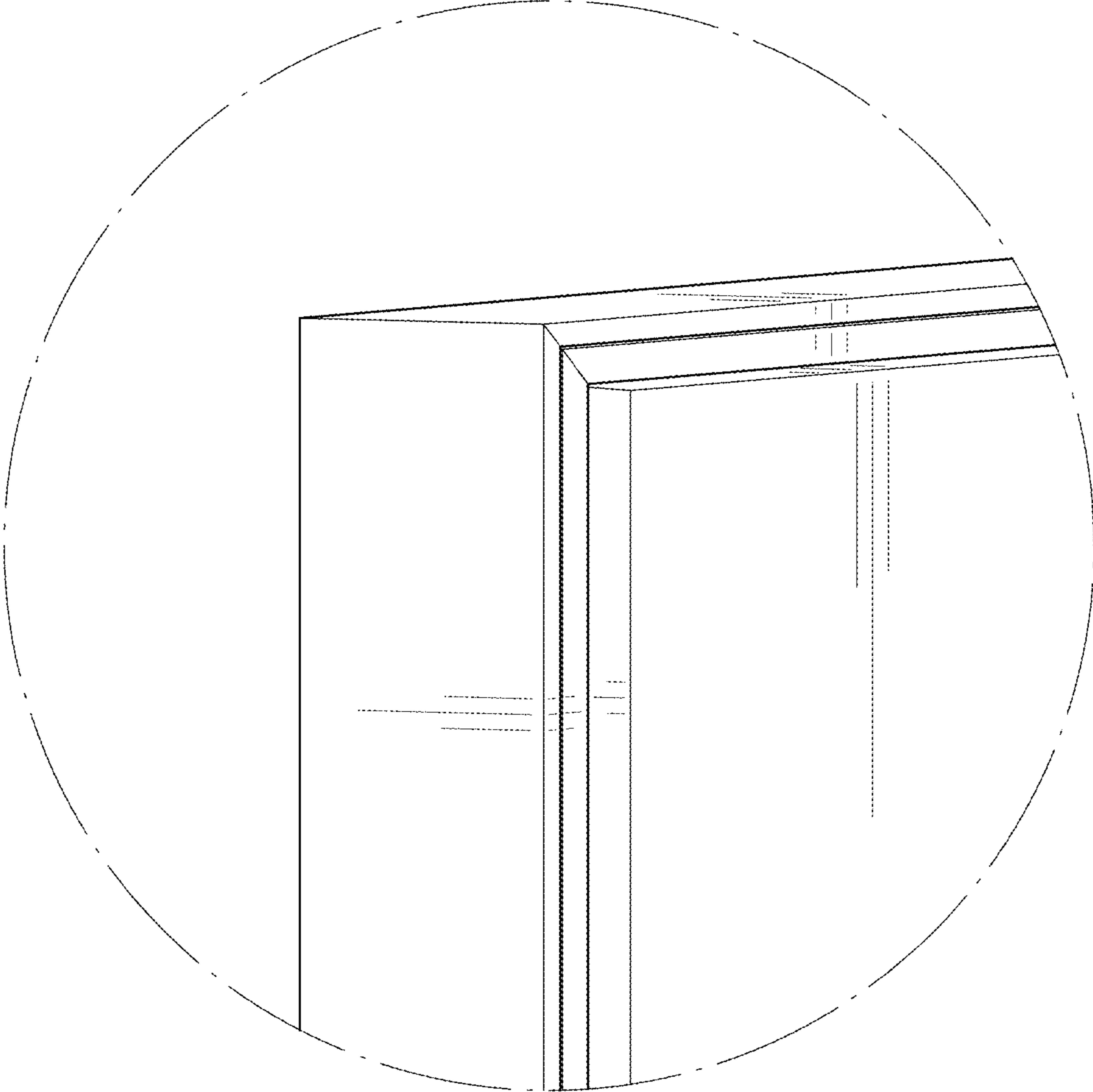


FIG. 14

