



US00D977438S

(12) **United States Design Patent**
Huang

(10) **Patent No.:** **US D977,438 S**

(45) **Date of Patent:** **** Feb. 7, 2023**

(54) **CIRCUIT CONTROL BOX**

(71) Applicant: **Comeup Industries Inc.**, New Taipei (TW)

(72) Inventor: **Shih Jyi Huang**, New Taipei (TW)

(73) Assignee: **Comeup Industries Inc.**, New Taipei (TW)

(**) Term: **15 Years**

(21) Appl. No.: **29/770,026**

(22) Filed: **Feb. 9, 2021**

(51) **LOC (14) Cl.** **13-03**

(52) **U.S. Cl.**
USPC **D13/160; D34/33**

(58) **Field of Classification Search**
USPC D13/110, 112, 124, 158, 160, 162, 184;
D34/33
CPC . H01R 12/72; H05K 5/00; H05K 5/02; G08G 1/07; G08G 1/08; G08G 1/087; G08G 1/0095; H01H 9/02; H01H 9/0271; H01H 71/02; H01H 71/04; H01H 71/52; H02H 3/00; H02H 3/006; H02H 3/02; H02H 3/025; H02H 3/027; B66D 1/46; B66D 1/485; B66D 1/58

See application file for complete search history.

(56) **References Cited**

U.S. PATENT DOCUMENTS

| | | | | |
|--------------|---------|--------|-------|---------|
| D741,038 S * | 10/2015 | Huang | | D34/33 |
| D774,005 S * | 12/2016 | Ye | | D13/162 |
| D813,176 S * | 3/2018 | Rogers | | D13/160 |
| D839,528 S * | 1/2019 | Huang | | D34/33 |
| D845,910 S * | 4/2019 | Bacher | | D13/160 |
| D859,323 S * | 9/2019 | Huang | | D13/160 |

| | | | | |
|-------------------|---------|-----------|-------|------------|
| D872,023 S * | 1/2020 | Huang | | D13/124 |
| 10,526,178 B2 * | 1/2020 | Huang | | B66D 1/485 |
| 10,577,229 B2 * | 3/2020 | Huang | | B66D 1/28 |
| D933,026 S * | 10/2021 | Sanwald | | D15/7 |
| D951,190 S * | 5/2022 | Huang | | D13/112 |
| 2016/0291662 A1 * | 10/2016 | Grassetti | | H04W 4/80 |
| 2019/0077642 A1 * | 3/2019 | Huang | | H02H 3/006 |
| 2019/0233262 A1 * | 8/2019 | Huang | | B66D 1/12 |
| 2022/0281725 A1 * | 9/2022 | Huang | | B66D 1/485 |

OTHER PUBLICATIONS

Trailfx Wra08 Winch Control Box, retrieved on Sep. 19, 2022; 1 pg.*

Openroad, Panther Series Winch Control Box Kit, retrieved on Sep. 19, 2022; 3 pgs.*

* cited by examiner

Primary Examiner — Selina Sikder

(74) *Attorney, Agent, or Firm* — Alan D. Kamrath; Karin L. Williams; Mayer & Williams PC

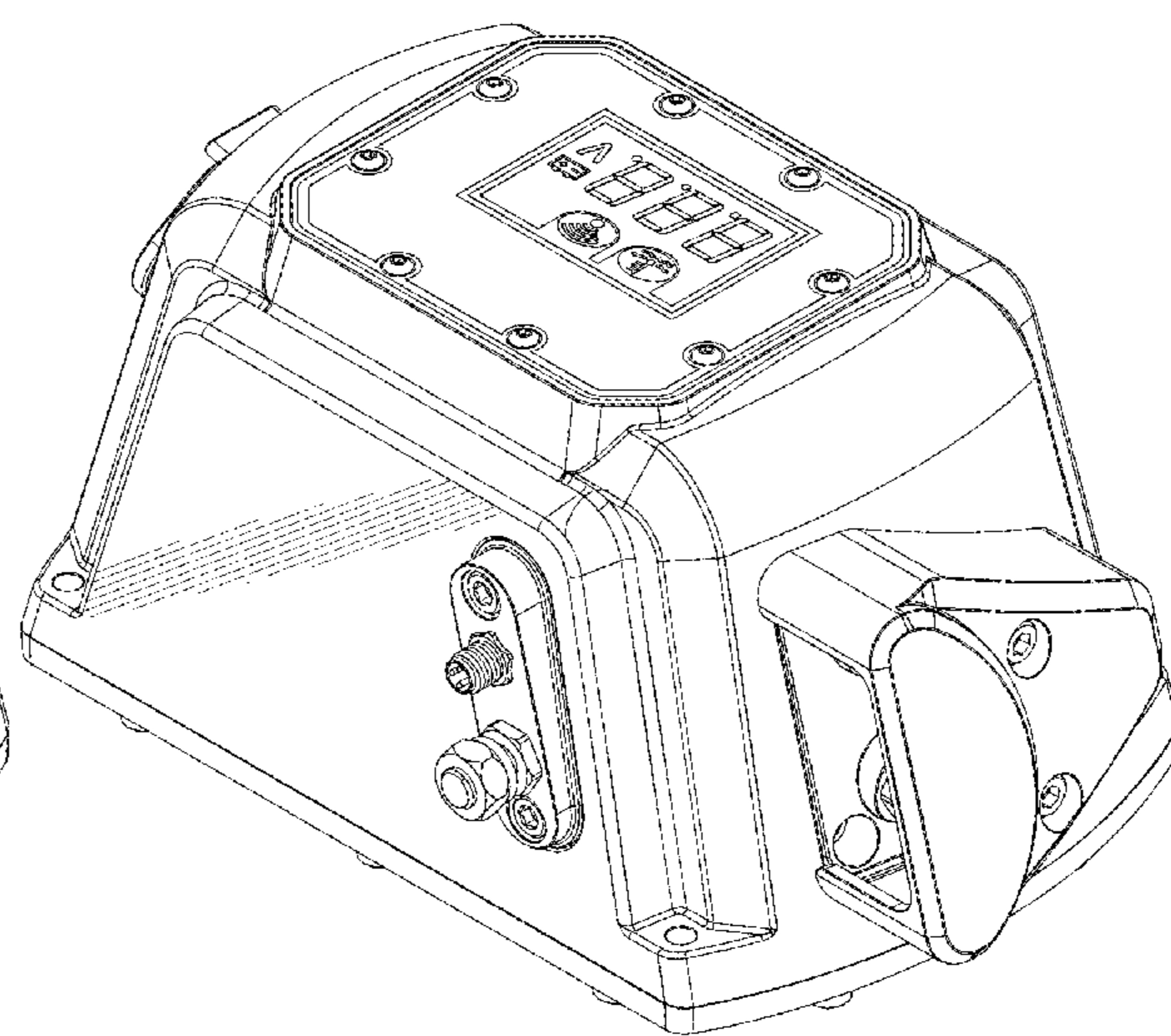
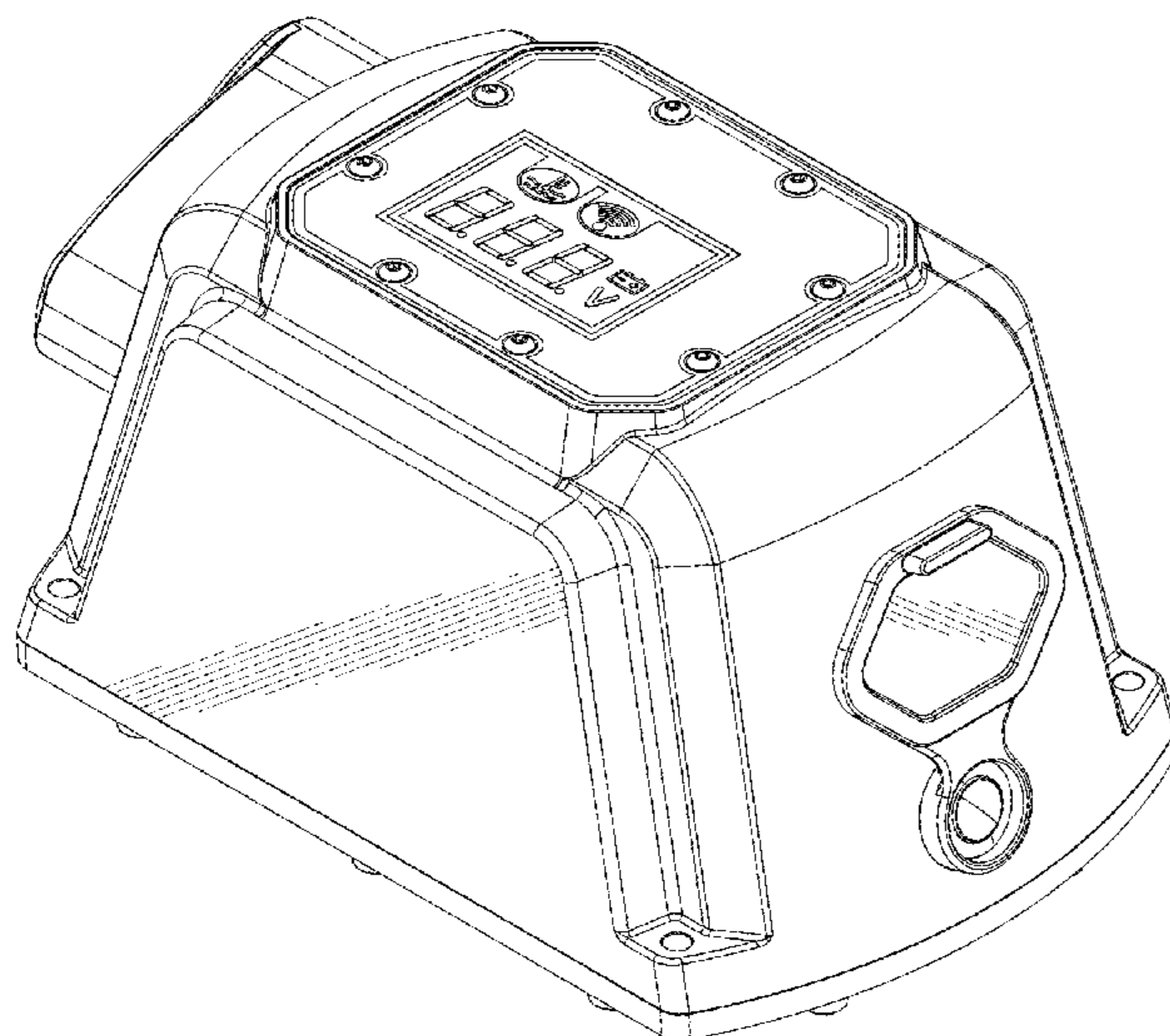
(57) **CLAIM**

The ornamental design for a circuit control box, as shown and described.

DESCRIPTION

FIG. 1 is a perspective view of the circuit control box showing my new design;
FIG. 2 is a front elevational view thereof;
FIG. 3 is a rear elevational view thereof;
FIG. 4 is a left side elevational view thereof;
FIG. 5 is a right side elevational view thereof;
FIG. 6 is a top plan view thereof;
FIG. 7 is a bottom plan view thereof; and,
FIG. 8 is an another perspective view showing the circuit control box.

1 Claim, 7 Drawing Sheets



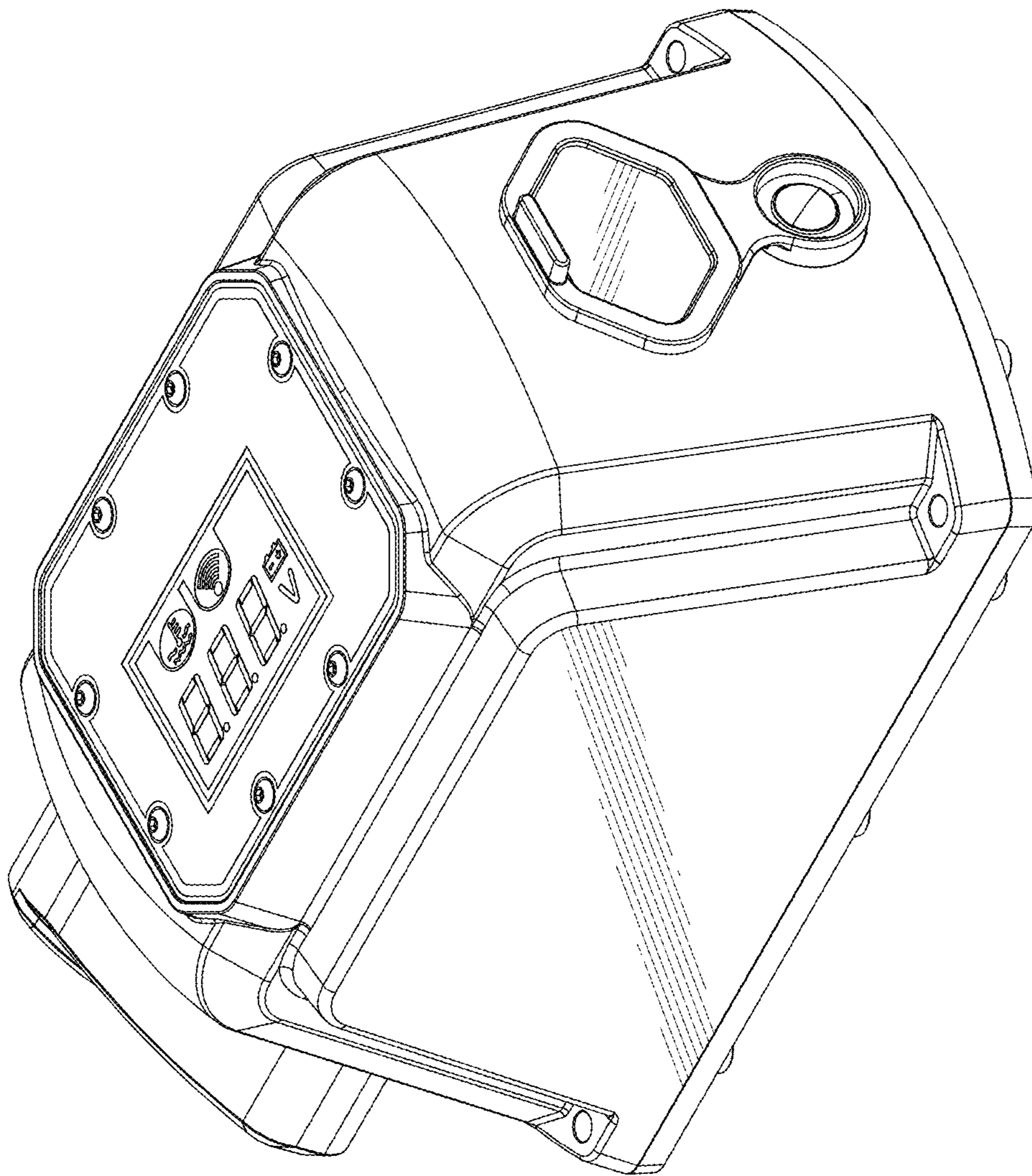


FIG. 1

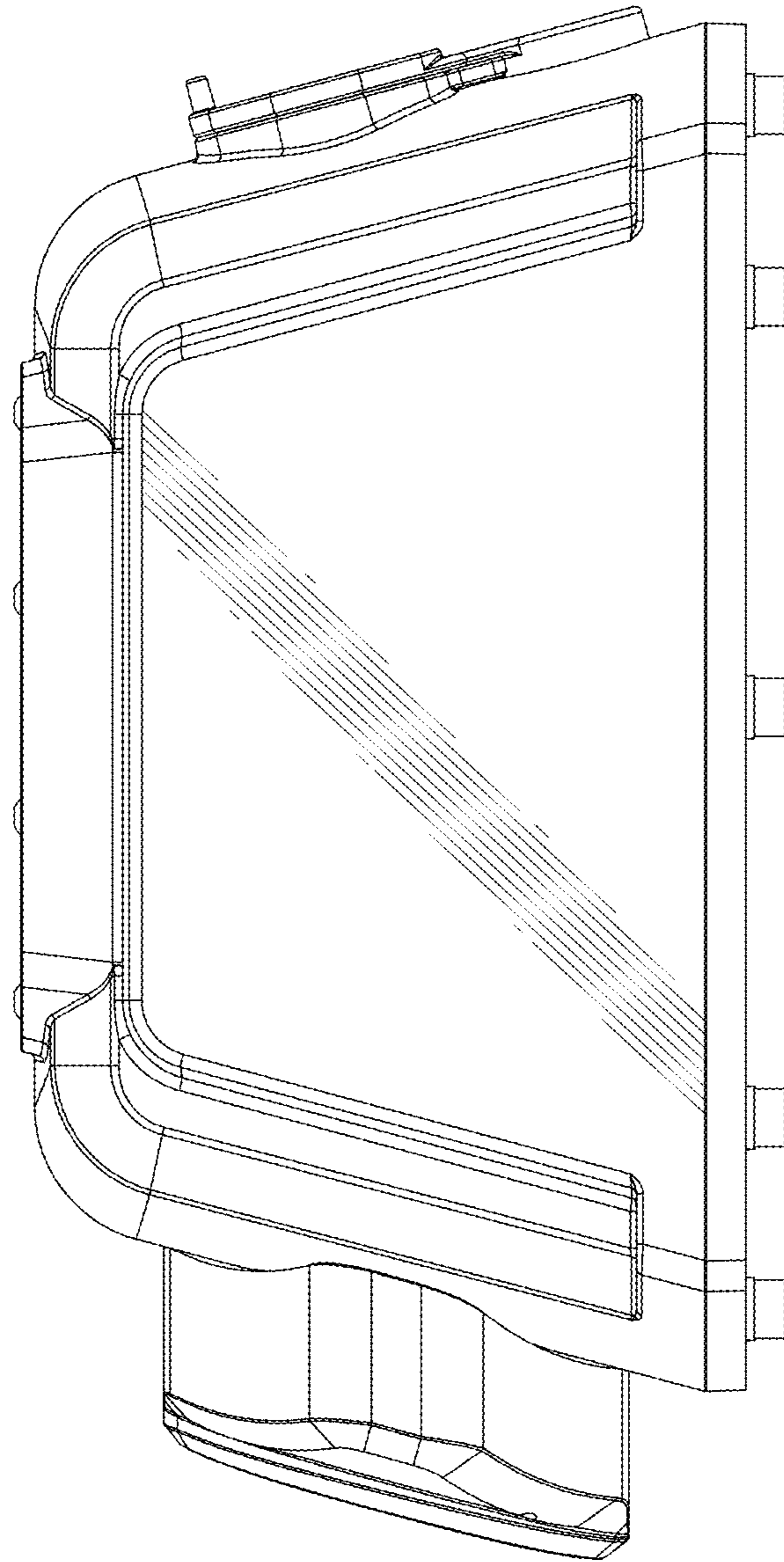


FIG. 2

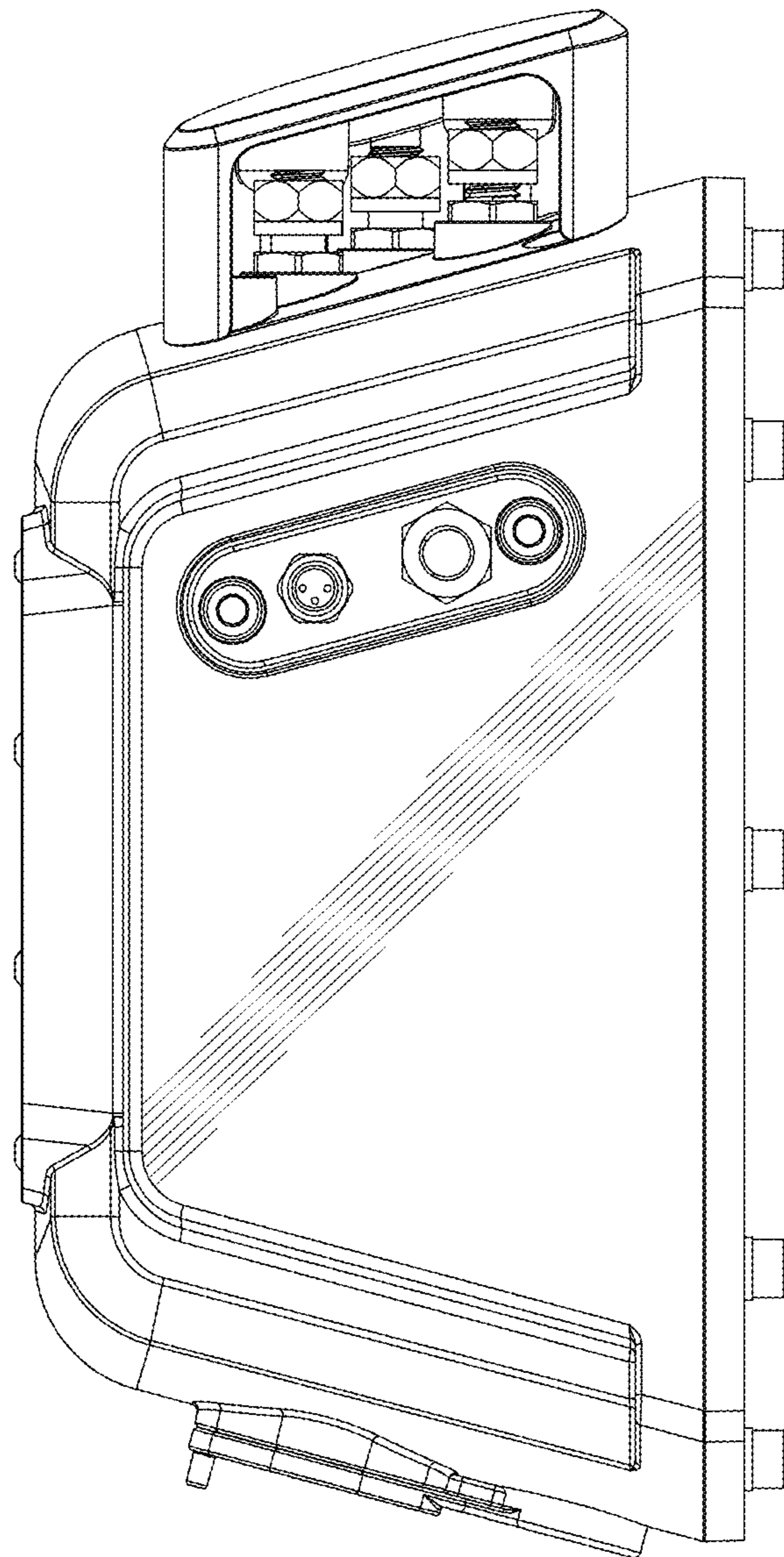


FIG. 3

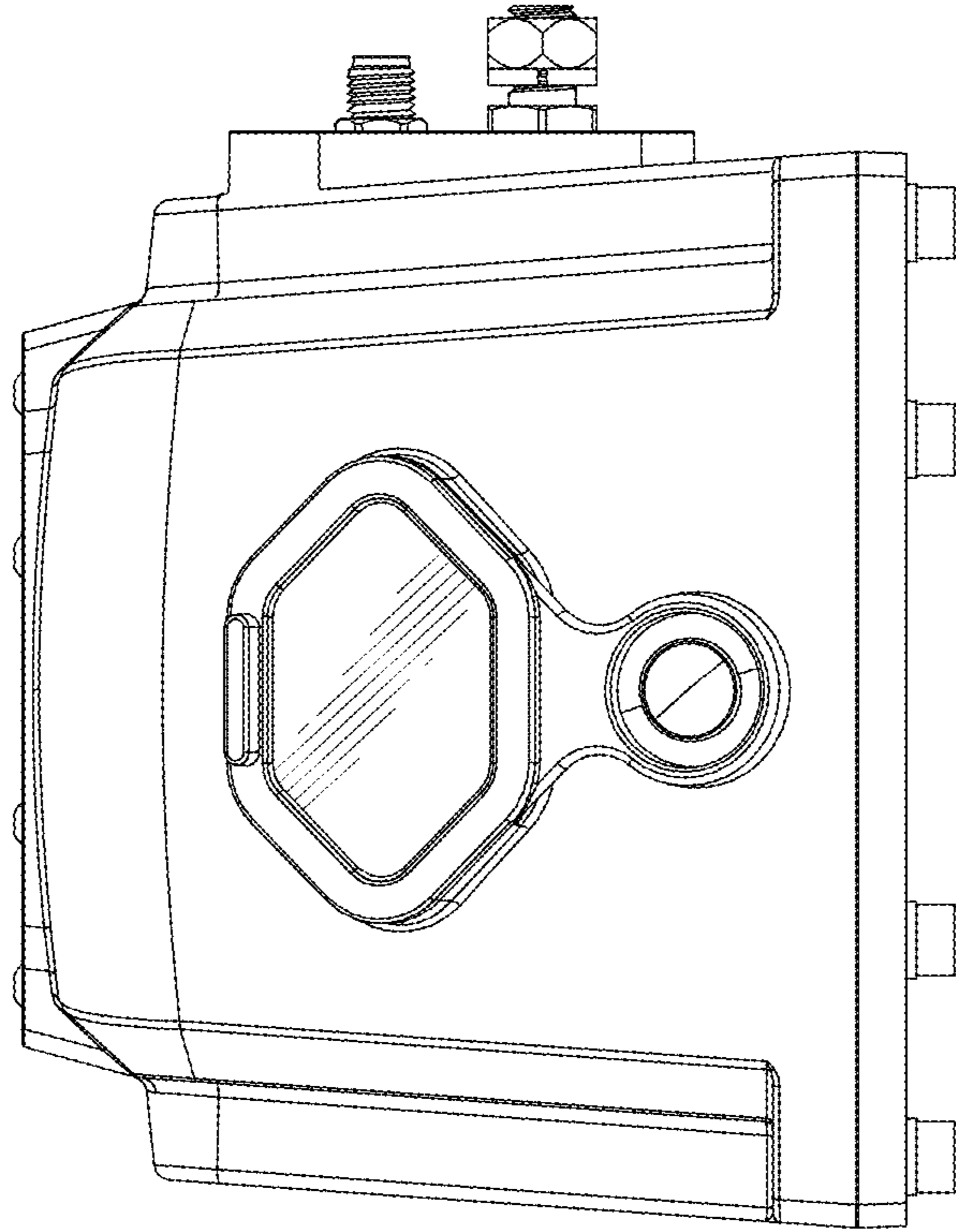


FIG. 5

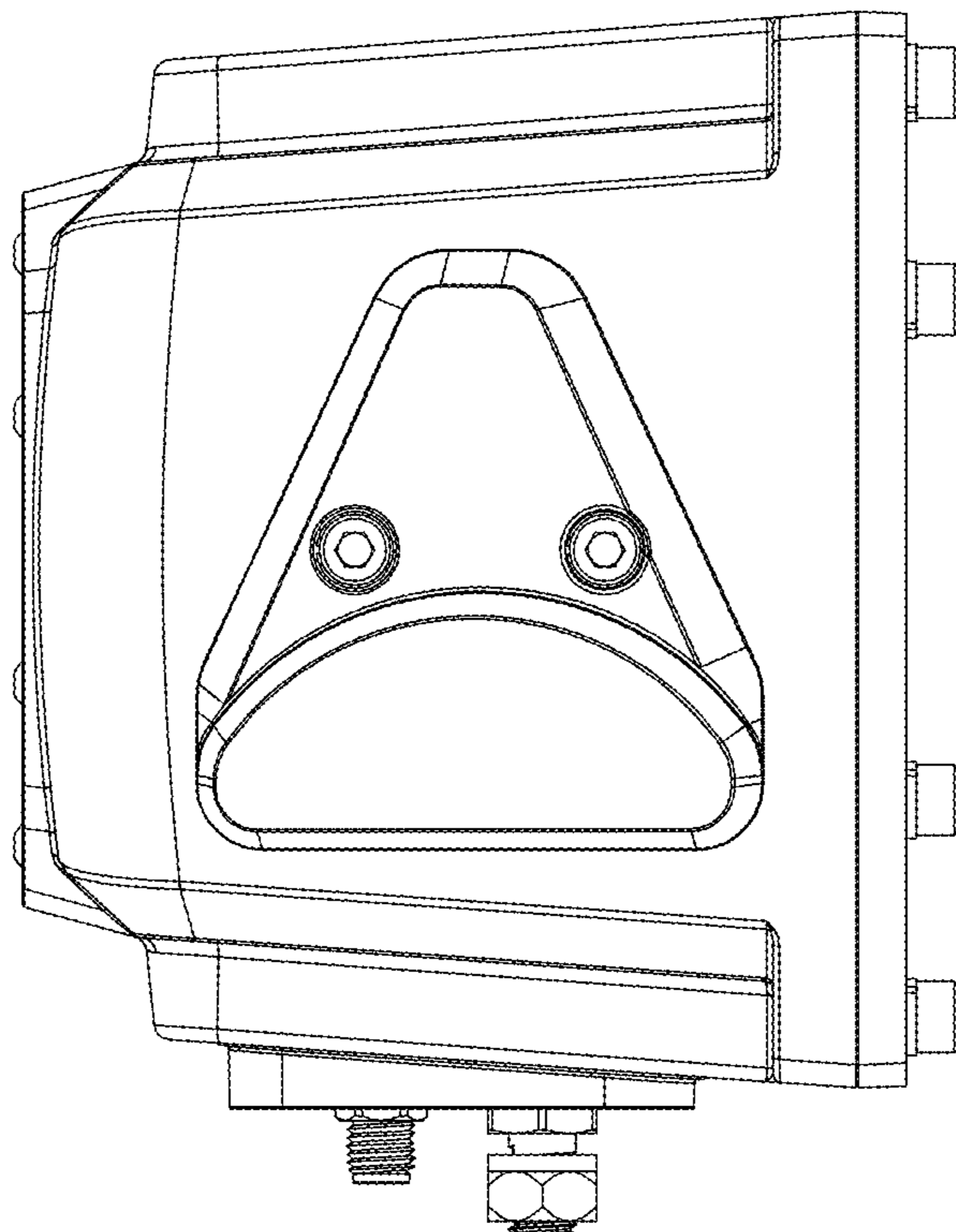


FIG. 4

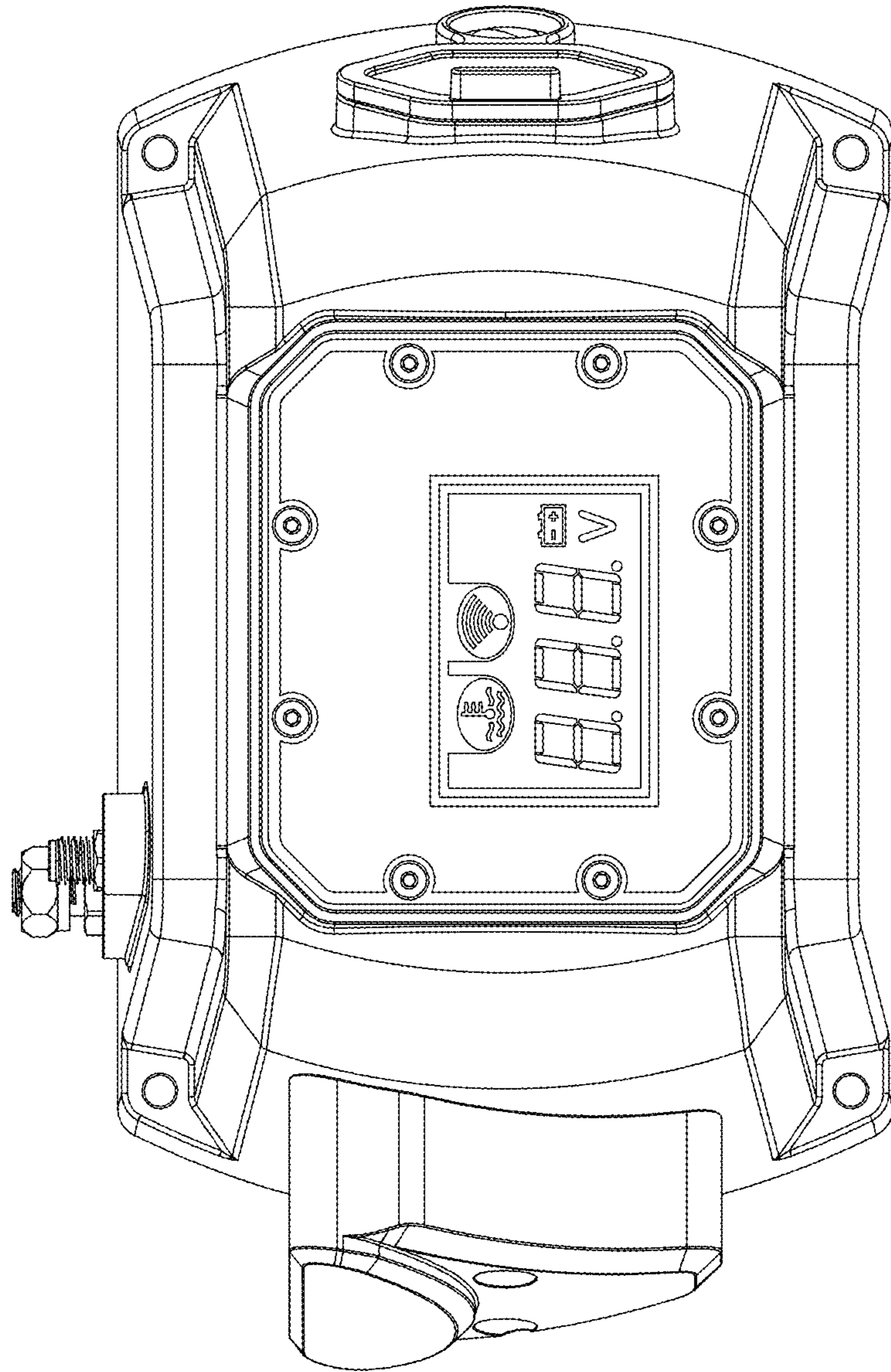


FIG. 6

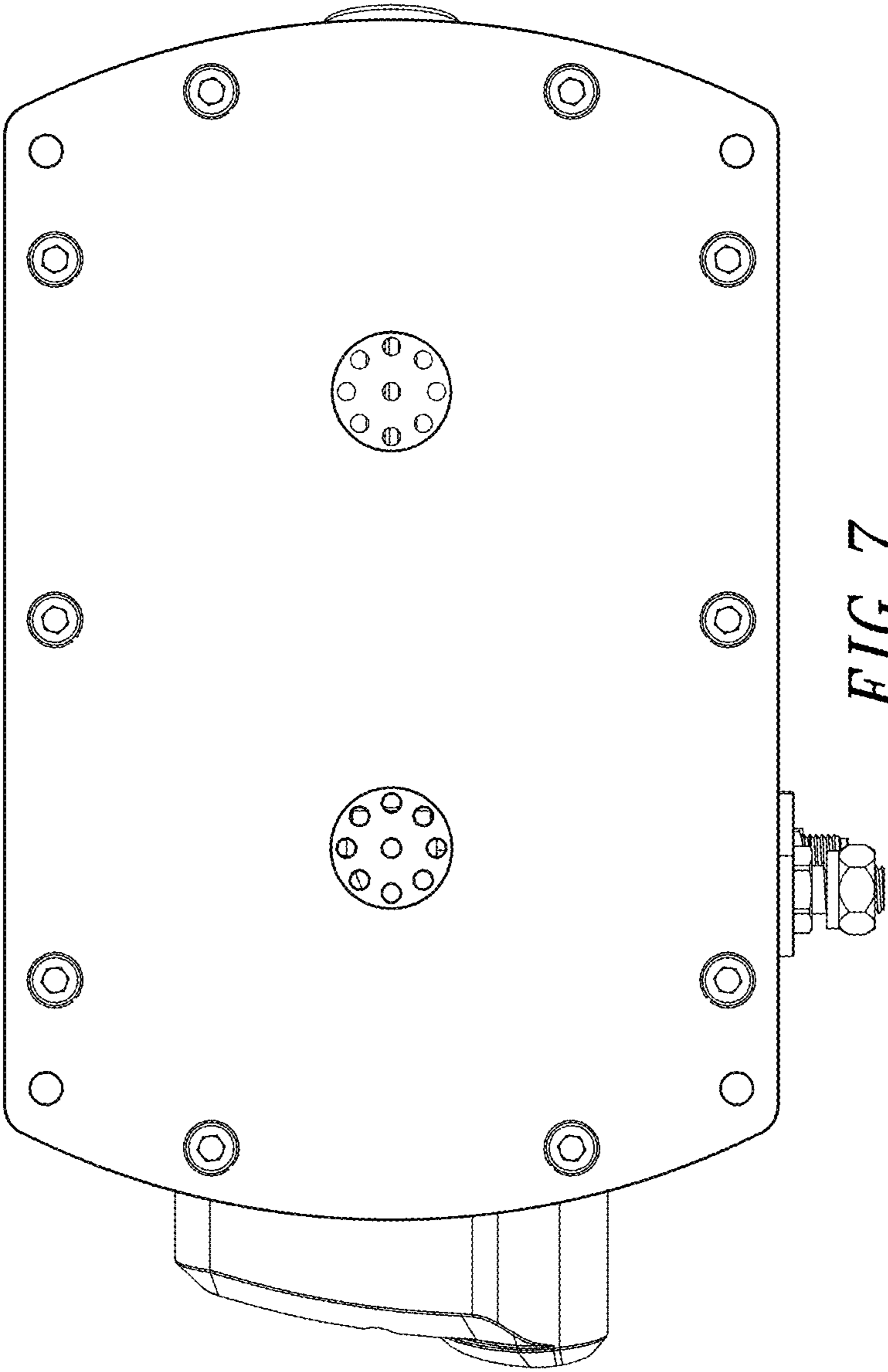


FIG. 7

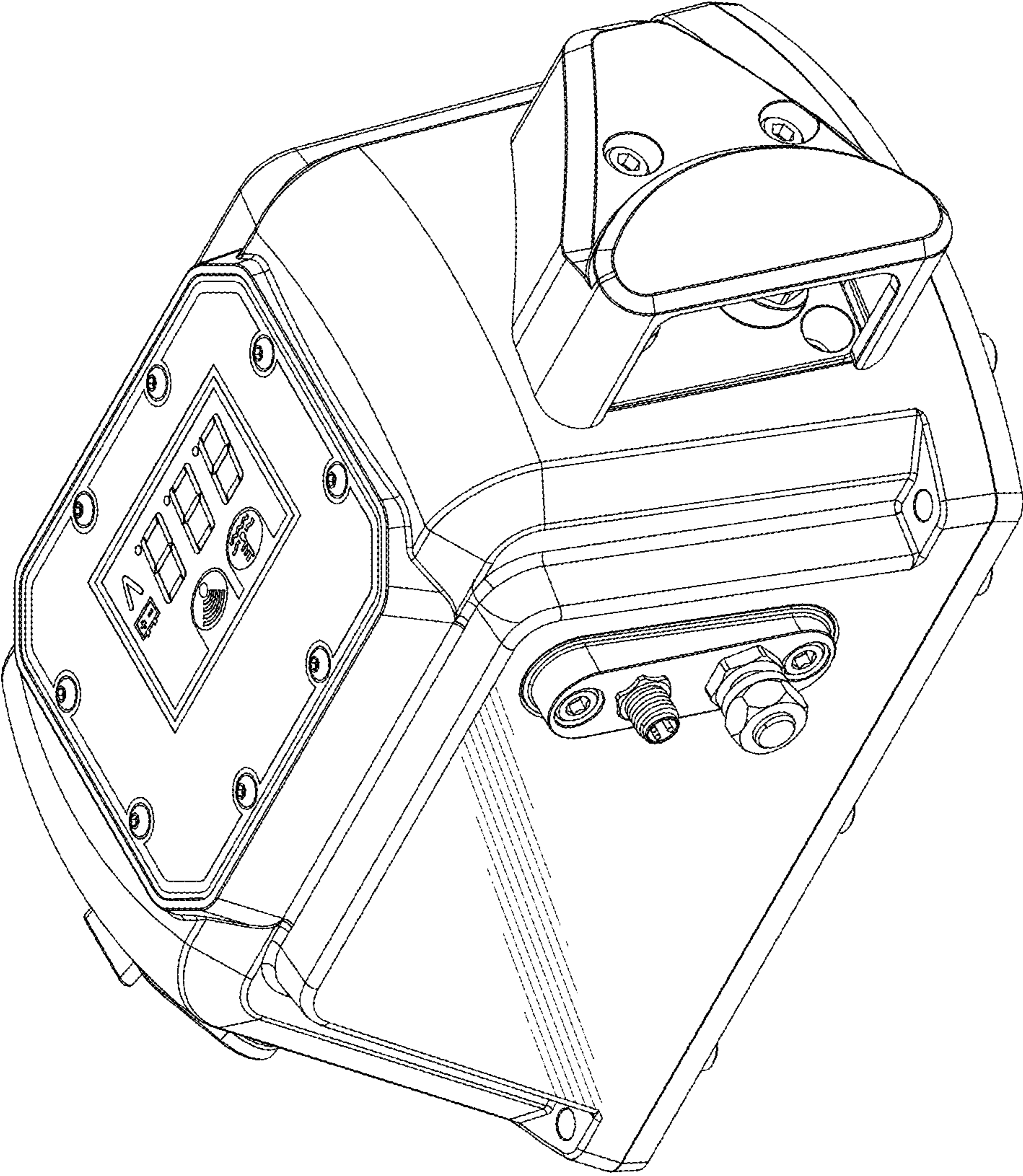


FIG. 8