



US00D977437S

(12) **United States Design Patent**
Bogart

(10) **Patent No.:** **US D977,437 S**

(45) **Date of Patent:** **** Feb. 7, 2023**

(54) **UTILITY JUNCTION BOX**

(71) Applicant: **Michael Murray Bogart**, Boynton Beach, FL (US)

(72) Inventor: **Michael Murray Bogart**, Boynton Beach, FL (US)

(**) Term: **15 Years**

(21) Appl. No.: **29/796,244**

(22) Filed: **Jun. 23, 2021**

(51) **LOC (14) Cl.** **13-03**

(52) **U.S. Cl.**
USPC **D13/152**

(58) **Field of Classification Search**
USPC D13/103, 110, 112, 122, 152, 156, 158, D13/184, 199
CPC H05K 5/00; H05K 5/02; H05K 5/0247; H05K 7/00; H05K 7/20; H05K 7/20136; H05K 7/20154

See application file for complete search history.

(56) **References Cited**

U.S. PATENT DOCUMENTS

D702,198 S * 4/2014 Gretz D13/184
2003/0000720 A1* 1/2003 Sato H02G 3/088
174/50

2018/0083375 A1* 3/2018 Matsumura B60R 16/0238
2021/0215306 A1* 7/2021 Fox F21K 9/232
2021/0384715 A1* 12/2021 Bogart H02G 3/088
2022/0014003 A1* 1/2022 Bogart H02G 3/088

* cited by examiner

Primary Examiner — Rosemary K Tarcza

Assistant Examiner — Seth David Kumpf

(57) **CLAIM**

The ornamental design for a utility junction box, as shown and described.

DESCRIPTION

FIG. 1 is a front perspective view of the utility junction box; FIG. 2 is a bottom perspective view thereof; FIG. 3 is a front view thereof; FIG. 4 is a rear view thereof; FIG. 5 is a right side view thereof; FIG. 6 is a left side view thereof; FIG. 7 is a top view thereof; and, FIG. 8 is a bottom view thereof.

The broken lines depict portions of the utility junction box that form no part of the claimed design.

1 Claim, 4 Drawing Sheets

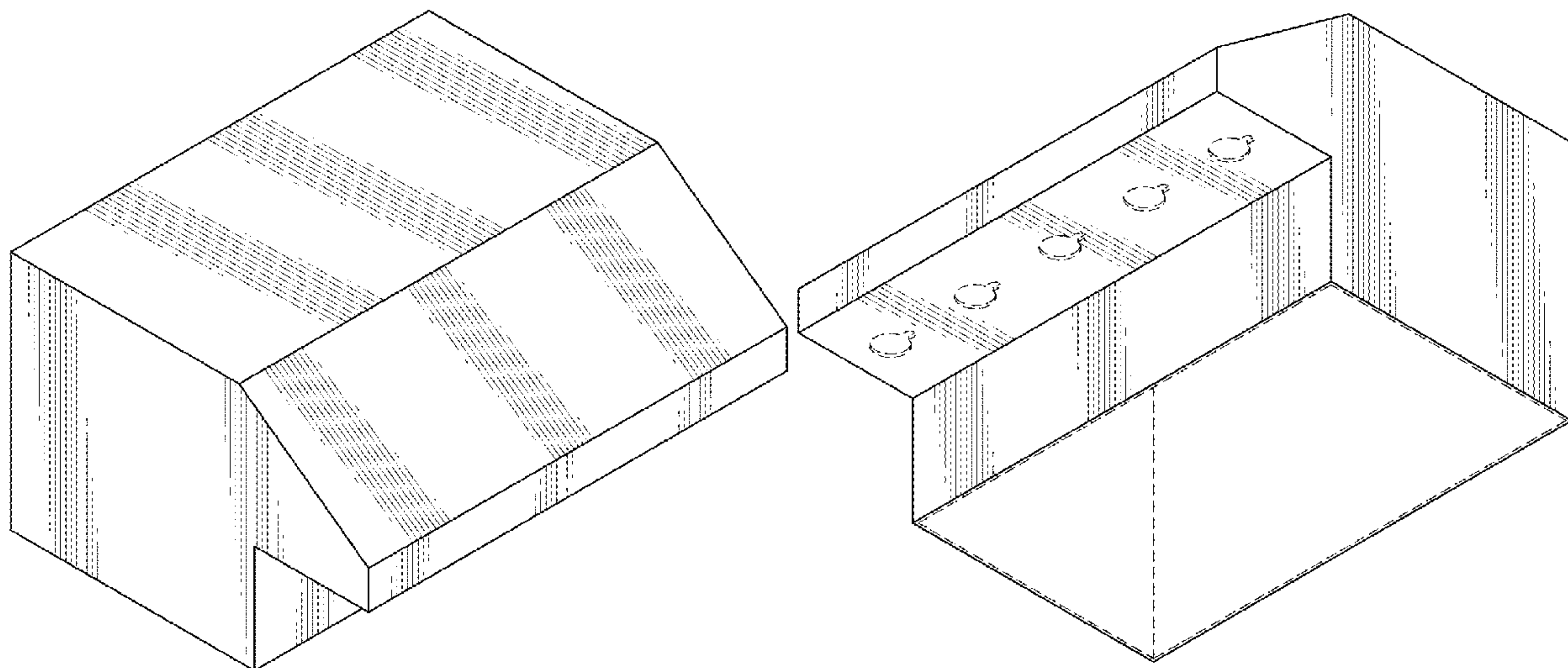


FIG. 1

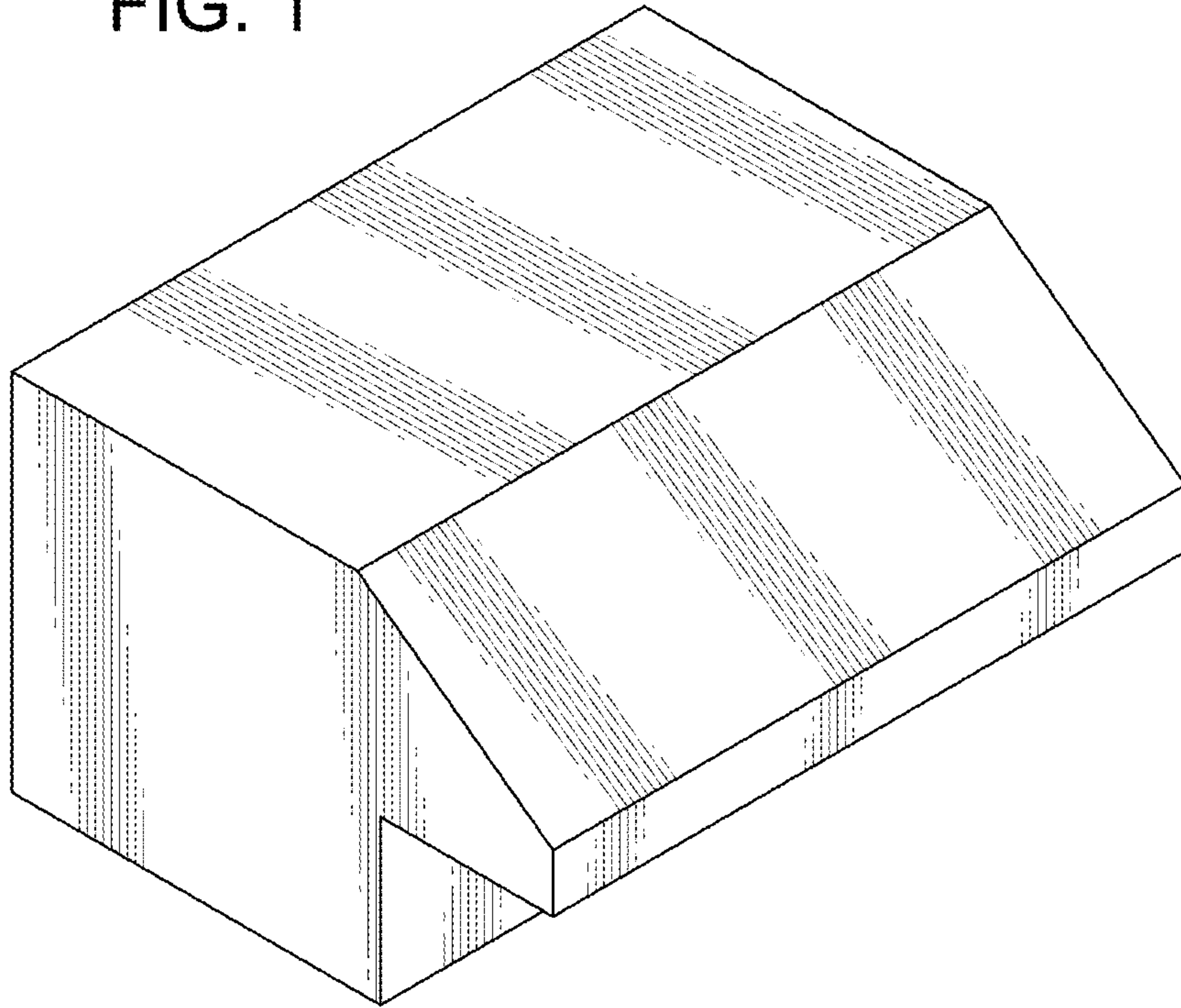


FIG. 2

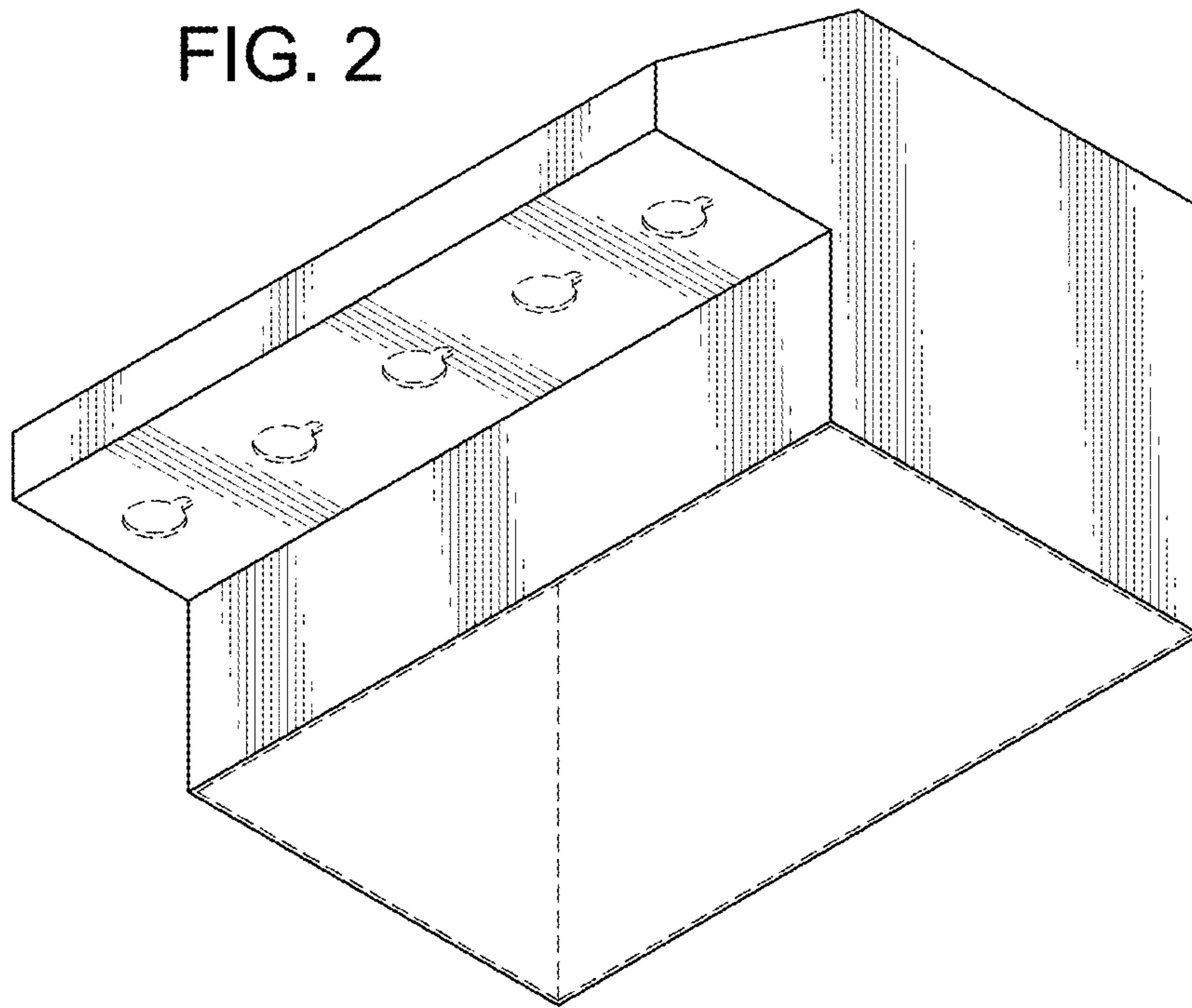


FIG. 3

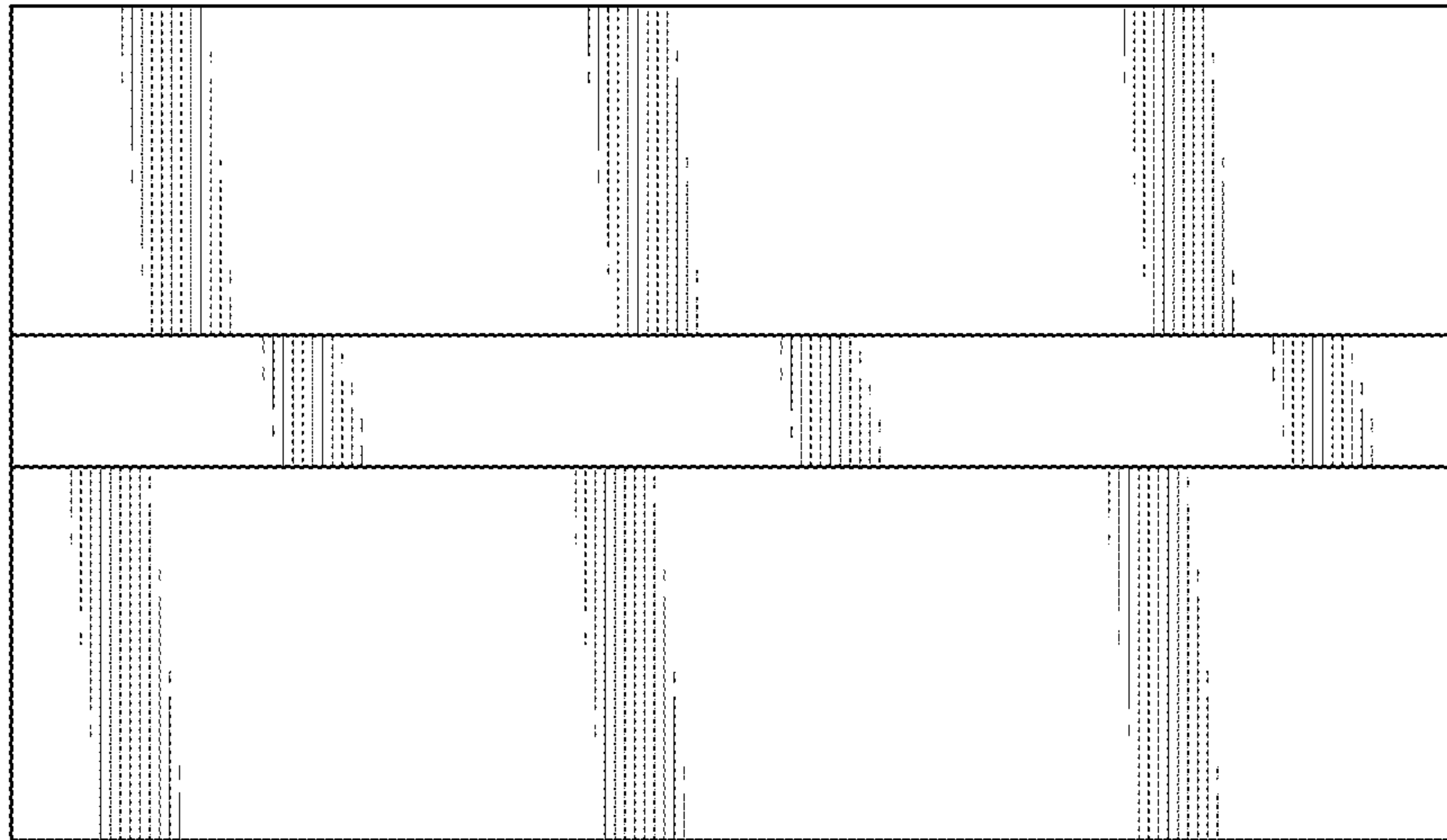


FIG. 4

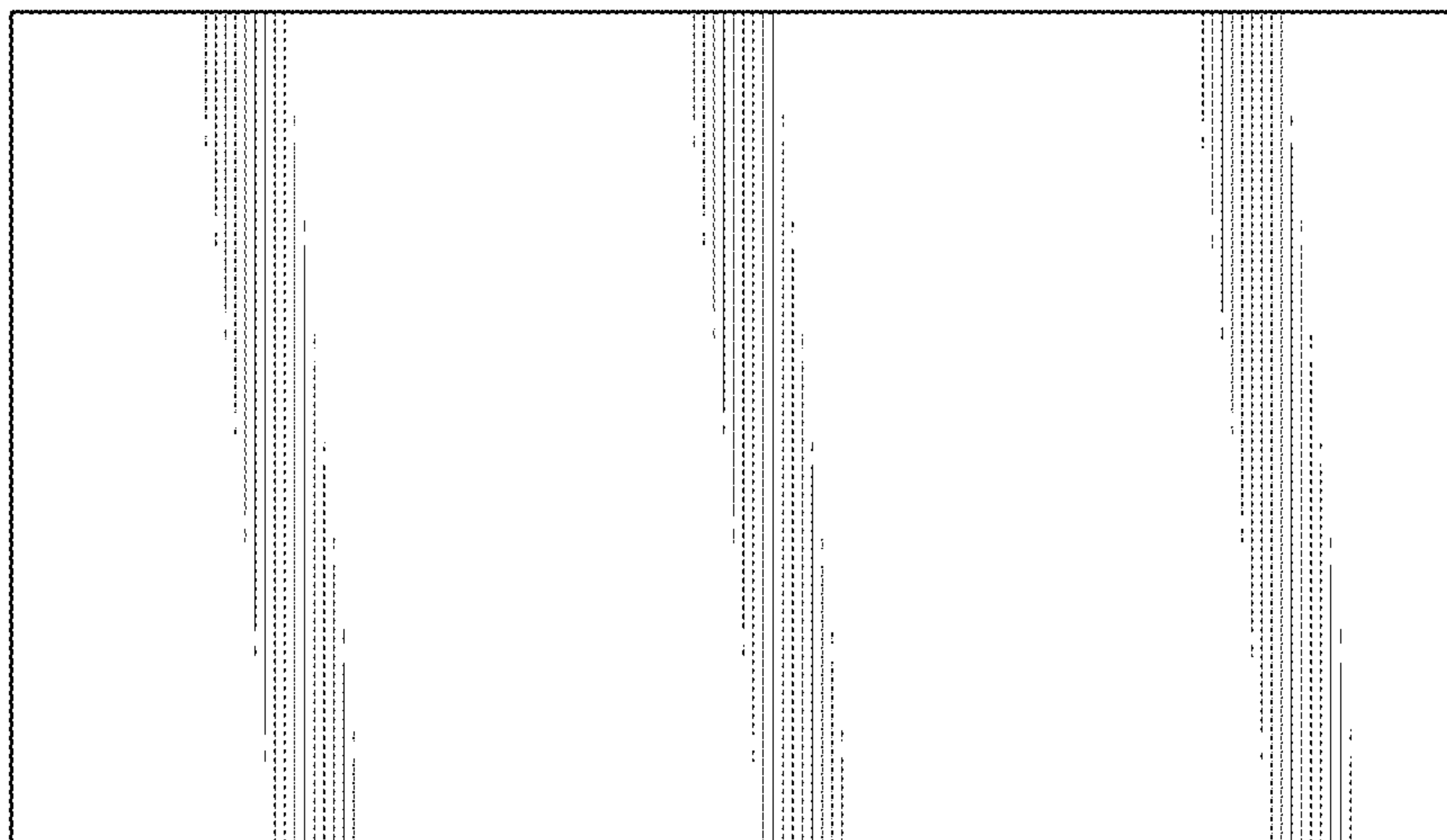


FIG. 5

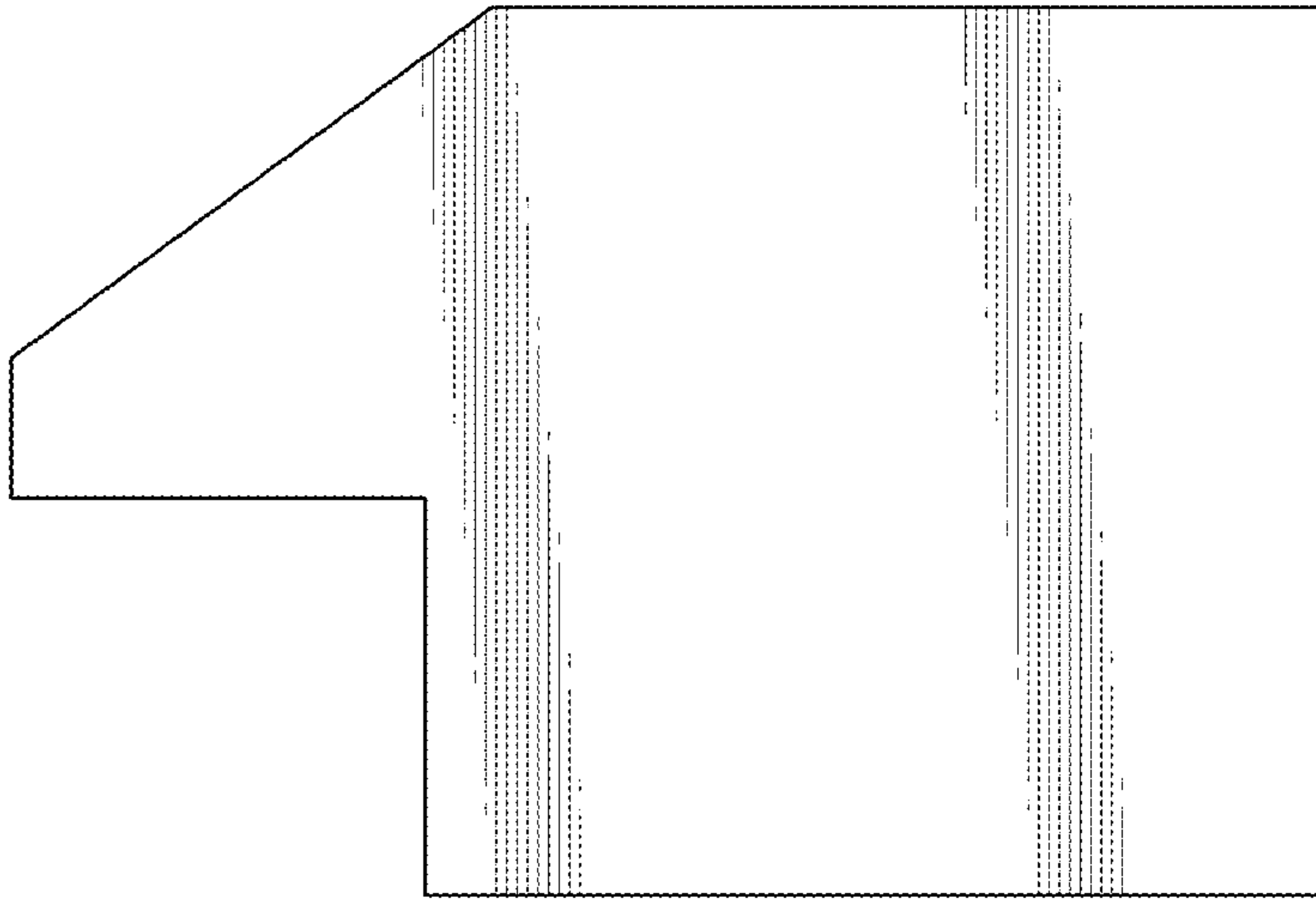


FIG. 6

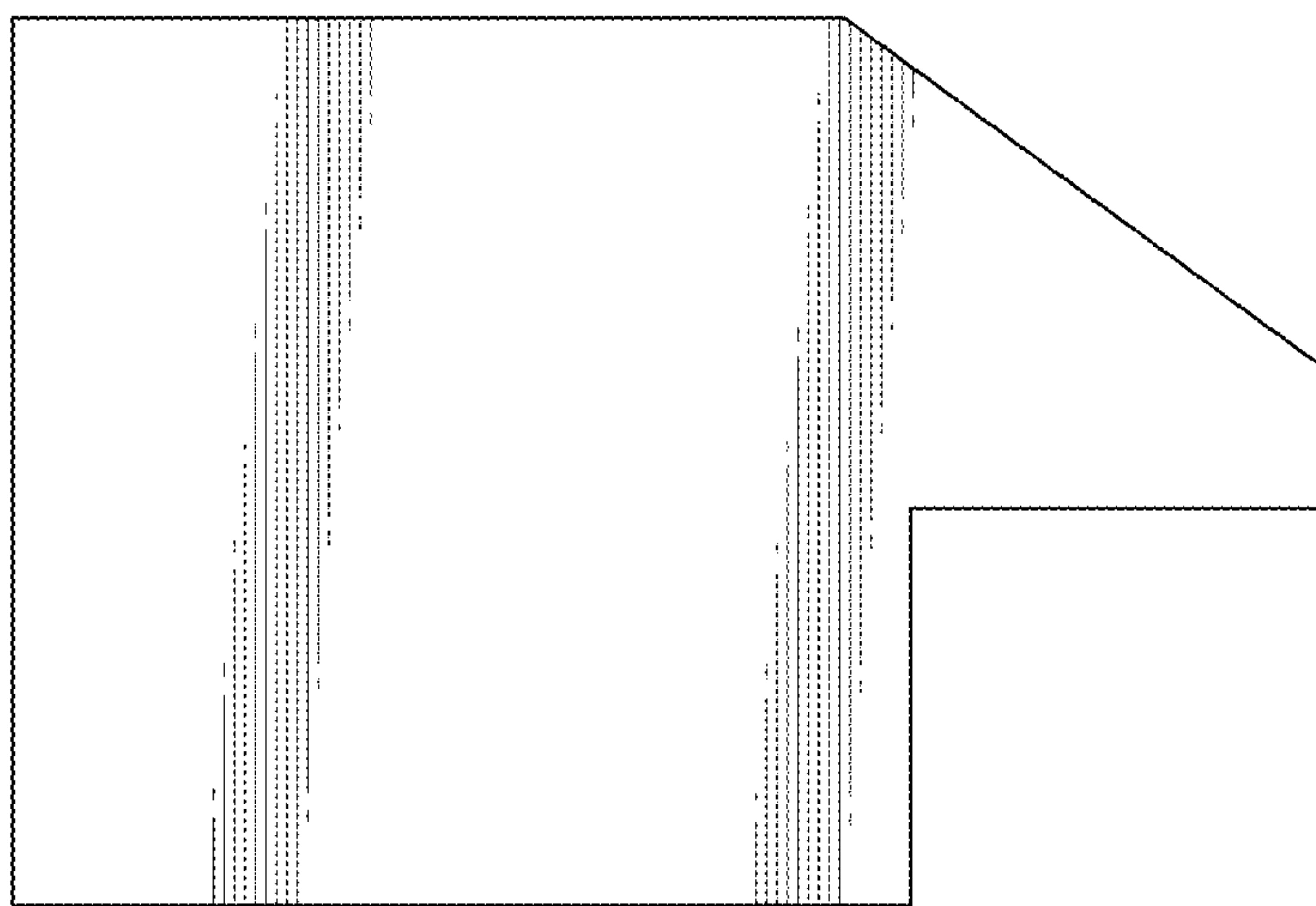


FIG. 7

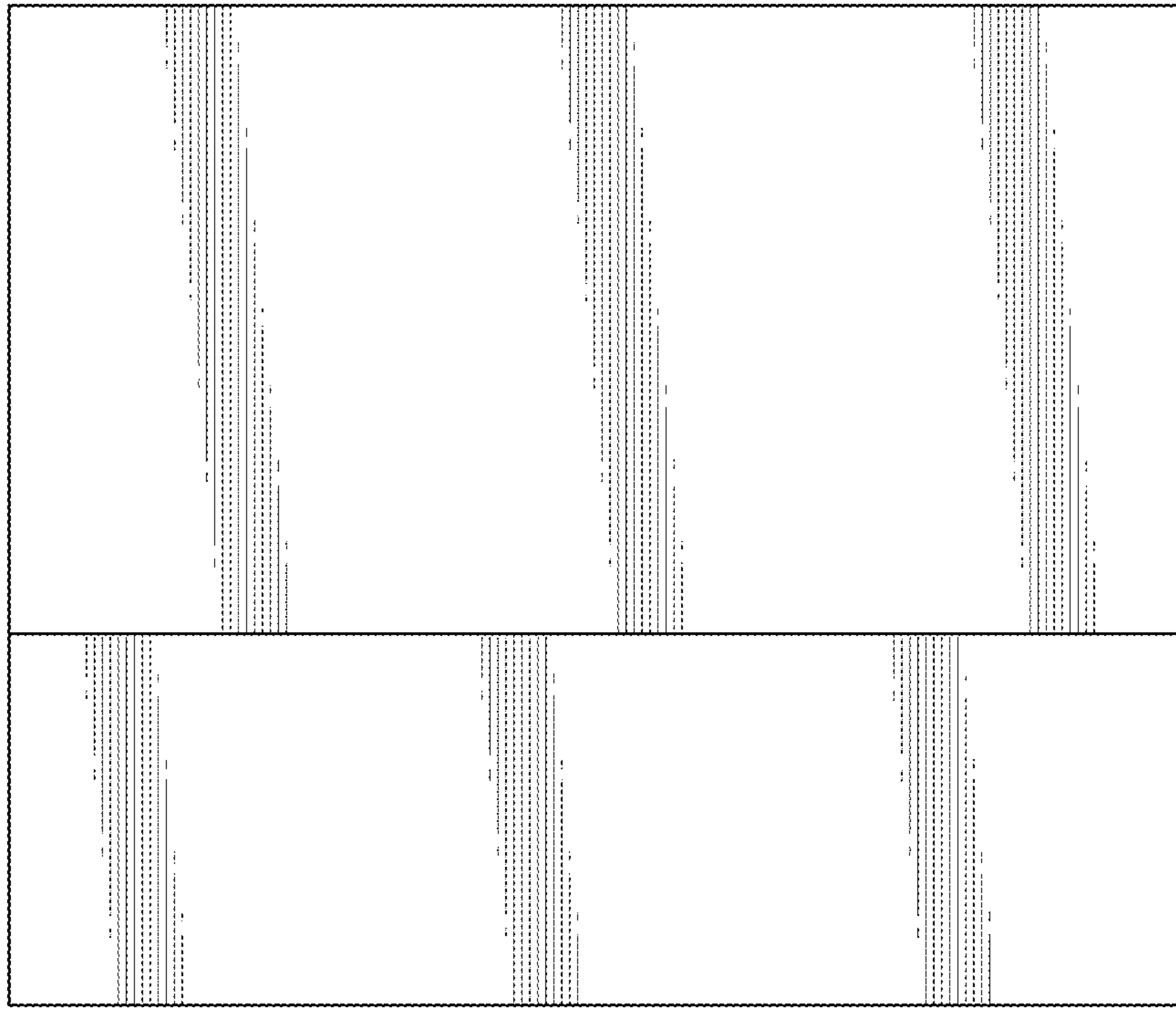


FIG. 8

