



US00D977436S

(12) **United States Design Patent** (10) **Patent No.:** **US D977,436 S**
Akana et al. (45) **Date of Patent:** **** Feb. 7, 2023**

(54) **ADAPTER**

(71) Applicant: **Apple Inc.**, Cupertino, CA (US)

(72) Inventors: **Jody Akana**, San Francisco, CA (US); **Bartley K. Andre**, Palo Alto, CA (US); **Shota Aoyagi**, San Francisco, CA (US); **Anthony Michael Ashcroft**, San Francisco, CA (US); **Jeremy Bataillou**, San Francisco, CA (US); **Daniel J. Coster**, San Francisco, CA (US); **Daniele De Iullis**, San Francisco, CA (US); **M. Evans Hankey**, San Francisco, CA (US); **Julian Hoenig**, San Francisco, CA (US); **Richard P. Howarth**, San Francisco, CA (US); **Jonathan P. Ive**, San Francisco, CA (US); **Duncan Robert Kerr**, San Francisco, CA (US); **Matthew Dean Rohrbach**, San Francisco, CA (US); **Peter Russell-Clarke**, San Francisco, CA (US); **Mikael Silvanto**, San Francisco, CA (US); **Christopher J. Stringer**, Woodside, CA (US); **Eugene Antony Whang**, San Francisco, CA (US); **Rico Zörkendörfer**, San Francisco, CA (US)

(73) Assignee: **Apple Inc.**, Cupertino, CA (US)

(**) Term: **15 Years**

(21) Appl. No.: **29/800,134**

(22) Filed: **Jul. 19, 2021**

Related U.S. Application Data

(63) Continuation of application No. 29/755,258, filed on Oct. 19, 2020, now Pat. No. Des. 925,462, which is a (Continued)

(51) **LOC (14) Cl.** **13-03**

(52) **U.S. Cl.**
USPC **D13/147**; D13/137.1

(58) **Field of Classification Search**
USPC ... D13/147, 110, 138.1–138.2, 137.1–137.4, D13/108

(Continued)

(56) **References Cited**

U.S. PATENT DOCUMENTS

D138,086 S 6/1944 Ludwig
D292,700 S 11/1987 Rauch

(Continued)

OTHER PUBLICATIONS

“USB Charger for iPhone 3G—Original”, accessed at <http://ucables.com/ref/USB-CHARGER-IPHONE-3G-R73467>, added Jun. 12, 2008.

Primary Examiner — Rhea Shields

(74) *Attorney, Agent, or Firm* — Sterne, Kessler, Goldstein & Fox P.L.L.C.

(57) **CLAIM**

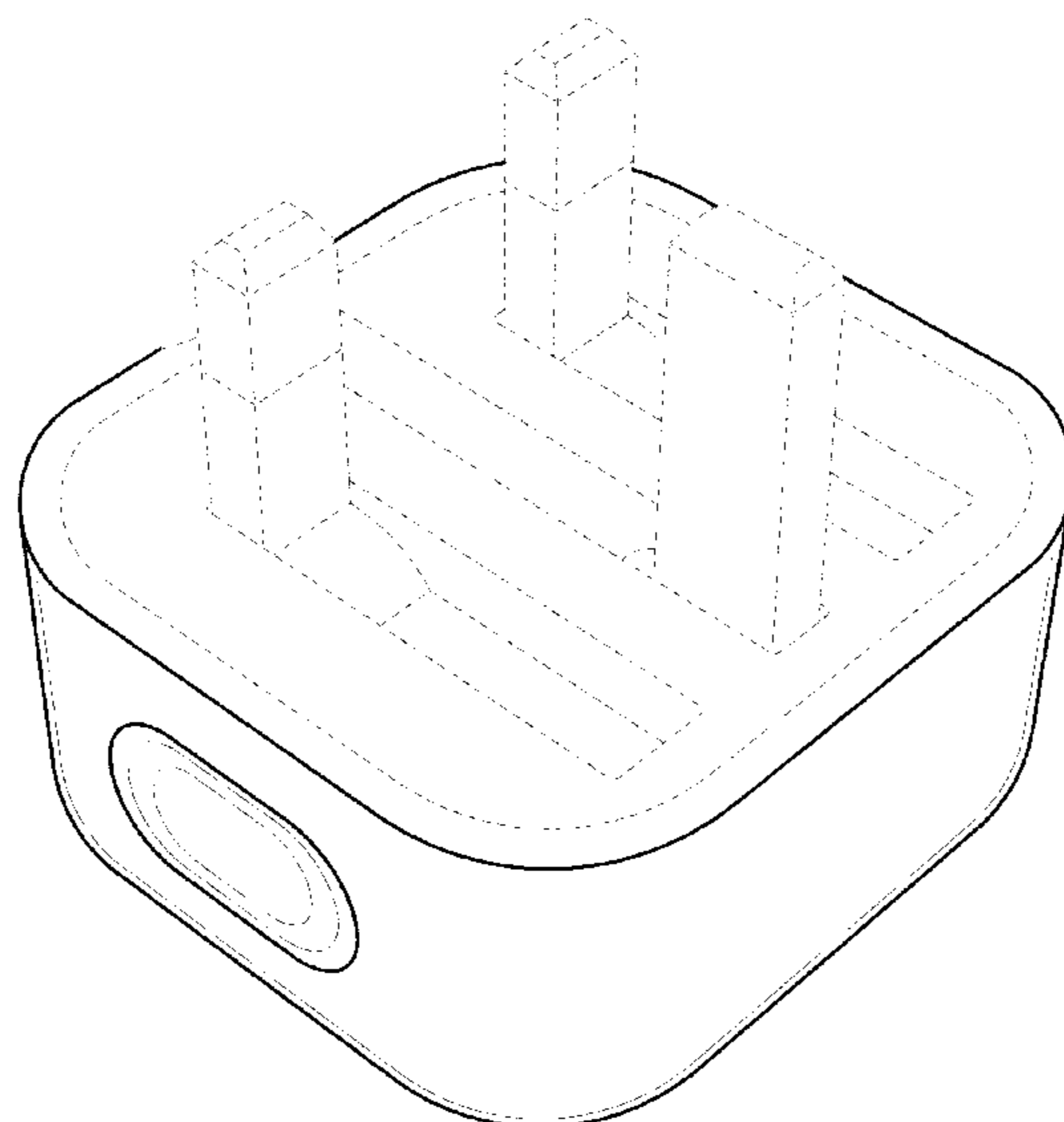
The ornamental design for an adapter, as shown and described.

DESCRIPTION

FIG. 1 is a front perspective view of an adapter showing the claimed design;
FIG. 2 is a rear perspective view thereof;
FIG. 3 is a front view thereof;
FIG. 4 is a rear view thereof;
FIG. 5 is a left side view thereof;
FIG. 6 is a right side view thereof;
FIG. 7 is a top view thereof; and,
FIG. 8 is a bottom view thereof.

The broken lines in the figures show portions of the adapter that form no part of the claimed design.

1 Claim, 8 Drawing Sheets



Related U.S. Application Data

continuation of application No. 29/700,558, filed on Aug. 2, 2019, now Pat. No. Des. 899,378, which is a continuation of application No. 29/574,361, filed on Aug. 15, 2016, now Pat. No. Des. 860,952, which is a continuation of application No. 29/501,659, filed on Sep. 5, 2014, now Pat. No. Des. 763,794.

- (58) **Field of Classification Search**
 CPC H01R 31/06; H01R 31/065; H01R 35/04;
 H01R 13/434; H02J 7/0042
 See application file for complete search history.

(56) **References Cited**

U.S. PATENT DOCUMENTS

4,997,381 A 3/1991 Oh
 D375,080 S 10/1996 Sandor et al.
 5,613,863 A * 3/1997 Klaus H01R 31/06
 D13/110
 D405,765 S 2/1999 Yu
 5,967,807 A 10/1999 Wu
 6,126,460 A 10/2000 Wu
 D436,078 S 1/2001 Korte
 6,275,002 B1 8/2001 Chen
 6,358,076 B1 3/2002 Haag
 6,641,412 B2 11/2003 Kitagawa et al.
 D498,462 S 11/2004 Andre et al.
 D503,679 S 4/2005 Andre et al.
 D511,649 S 11/2005 Chen
 7,001,196 B1 * 2/2006 Huang H01R 35/04
 439/131
 D519,922 S 5/2006 Andre et al.
 D521,936 S 5/2006 Novotney et al.
 D522,463 S 6/2006 Novotney et al.
 D526,648 S 8/2006 Andre et al.
 D552,034 S 10/2007 Hobson et al.
 D572,712 S 7/2008 Ledbetter et al.
 D573,946 S 7/2008 Ledbetter et al.
 D579,876 S * 11/2008 Novotney D13/147
 D583,316 S 12/2008 Säde et al.
 D587,192 S 2/2009 Mcginley et al.
 D595,223 S 6/2009 Yamamoto et al.
 D595,224 S 6/2009 Seil et al.
 D596,572 S * 7/2009 Wu D13/138.1
 D601,500 S 10/2009 Green et al.
 D601,501 S 10/2009 Kaibara et al.
 D601,583 S 10/2009 Andre et al.
 D602,430 S 10/2009 Green et al.
 D610,994 S 3/2010 Fahrendorff et al.
 D611,409 S 3/2010 Green et al.
 D611,415 S 3/2010 Andre et al.
 D617,275 S 6/2010 Fahrendorff et al.
 D617,277 S * 6/2010 Fahrendorff D13/138.1
 D623,136 S * 9/2010 Andre D13/108
 7,794,251 B2 9/2010 Wen et al.
 D642,524 S 8/2011 Fitch et al.
 D643,807 S 8/2011 Jiang
 D647,476 S 10/2011 Ciou
 8,057,265 B2 11/2011 Youssefi-Shams et al.
 8,105,106 B1 1/2012 Stoddard
 D653,615 S * 2/2012 Au D13/108
 8,113,855 B2 2/2012 Green et al.

D655,244 S * 3/2012 Au D13/108
 8,142,228 B1 3/2012 Wu
 D661,649 S 6/2012 Andre et al.
 D683,314 S 5/2013 Andre et al.
 D693,767 S 11/2013 Zaslavsky et al.
 D702,633 S * 4/2014 Andre H01R 31/065
 D13/110
 D705,736 S 5/2014 Zaslavsky et al.
 D711,823 S 8/2014 Akana et al.
 D711,824 S 8/2014 Matsuoka et al.
 D712,829 S 9/2014 Huang
 D719,092 S * 12/2014 Huang D13/110
 D721,037 S 1/2015 Kelly
 D732,472 S * 6/2015 Laffon D13/110
 D734,260 S * 7/2015 Cepress D13/110
 D735,669 S * 8/2015 Kelly D13/138.1
 D738,308 S 9/2015 Sumwalt et al.
 D740,751 S 10/2015 Akana et al.
 D746,773 S 1/2016 Andre et al.
 D750,571 S 3/2016 Auguste et al.
 D751,039 S 3/2016 Ptok et al.
 D753,661 S 4/2016 Daniel
 D762,173 S * 7/2016 Solomon D13/110
 D763,794 S 8/2016 Akana et al.
 9,537,276 B1 1/2017 Cai et al.
 D778,913 S * 2/2017 Huang D13/110
 D778,914 S 2/2017 Huang et al.
 D788,709 S 6/2017 Yeo
 D790,465 S 6/2017 Zhao
 D798,233 S 9/2017 Huang et al.
 D799,422 S 10/2017 Chen
 D804,412 S * 12/2017 Huang D13/110
 D807,822 S 1/2018 Senff
 D808,903 S * 1/2018 Koenig D13/110
 9,882,313 B2 1/2018 Iv et al.
 D811,329 S 2/2018 Roberts et al.
 D819,566 S 6/2018 Hung et al.
 D820,209 S * 6/2018 Lemelson D13/110
 D826,858 S 8/2018 Little
 D826,859 S 8/2018 Little
 D856,934 S 8/2019 Levy et al.
 D860,952 S * 9/2019 Akana D13/137.1
 D864,863 S 10/2019 Lee
 D867,285 S 11/2019 Akana et al.
 D867,286 S 11/2019 Akana et al.
 D867,287 S 11/2019 Akana et al.
 D867,295 S 11/2019 Shaopeng
 D867,989 S 11/2019 Akana et al.
 10,483,694 B2 11/2019 Crowder
 D874,400 S 2/2020 Akana et al.
 D874,403 S 2/2020 Canizares et al.
 D879,714 S 3/2020 Zhang et al.
 D899,378 S * 10/2020 Akana D13/137.1
 D902,869 S * 11/2020 Zhang D13/147
 D903,589 S * 12/2020 Akana D13/110
 D913,948 S 3/2021 Miller et al.
 2009/0289596 A1 11/2009 Mcginley et al.
 2010/0117597 A1 * 5/2010 Wang H02J 7/0042
 320/111
 2012/0077361 A1 3/2012 Youssefi-Shams et al.
 2014/0370742 A1 12/2014 Andre et al.
 2015/0364882 A1 * 12/2015 Roy H01R 13/434
 439/131

* cited by examiner

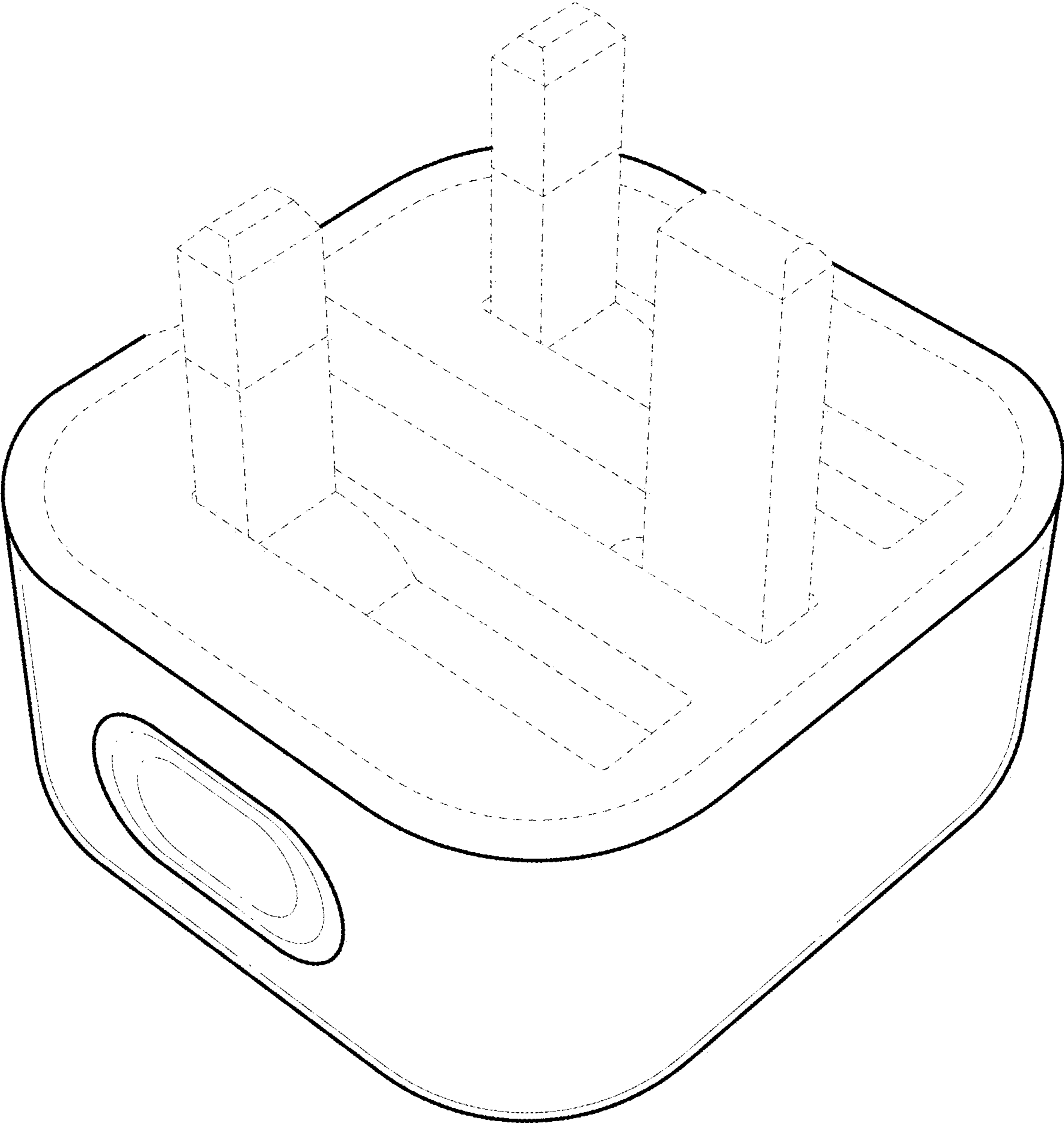


FIG. 1

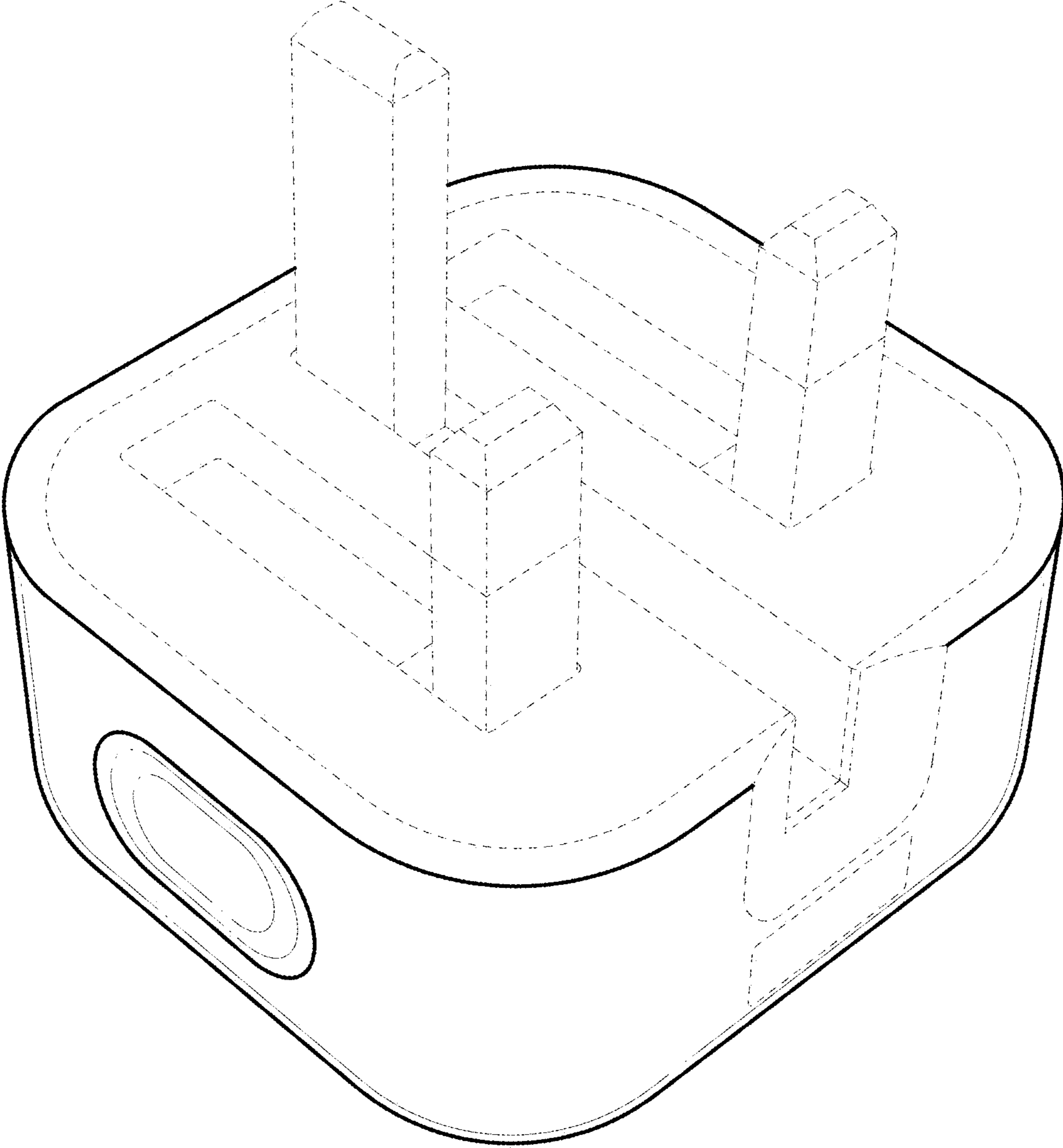


FIG. 2

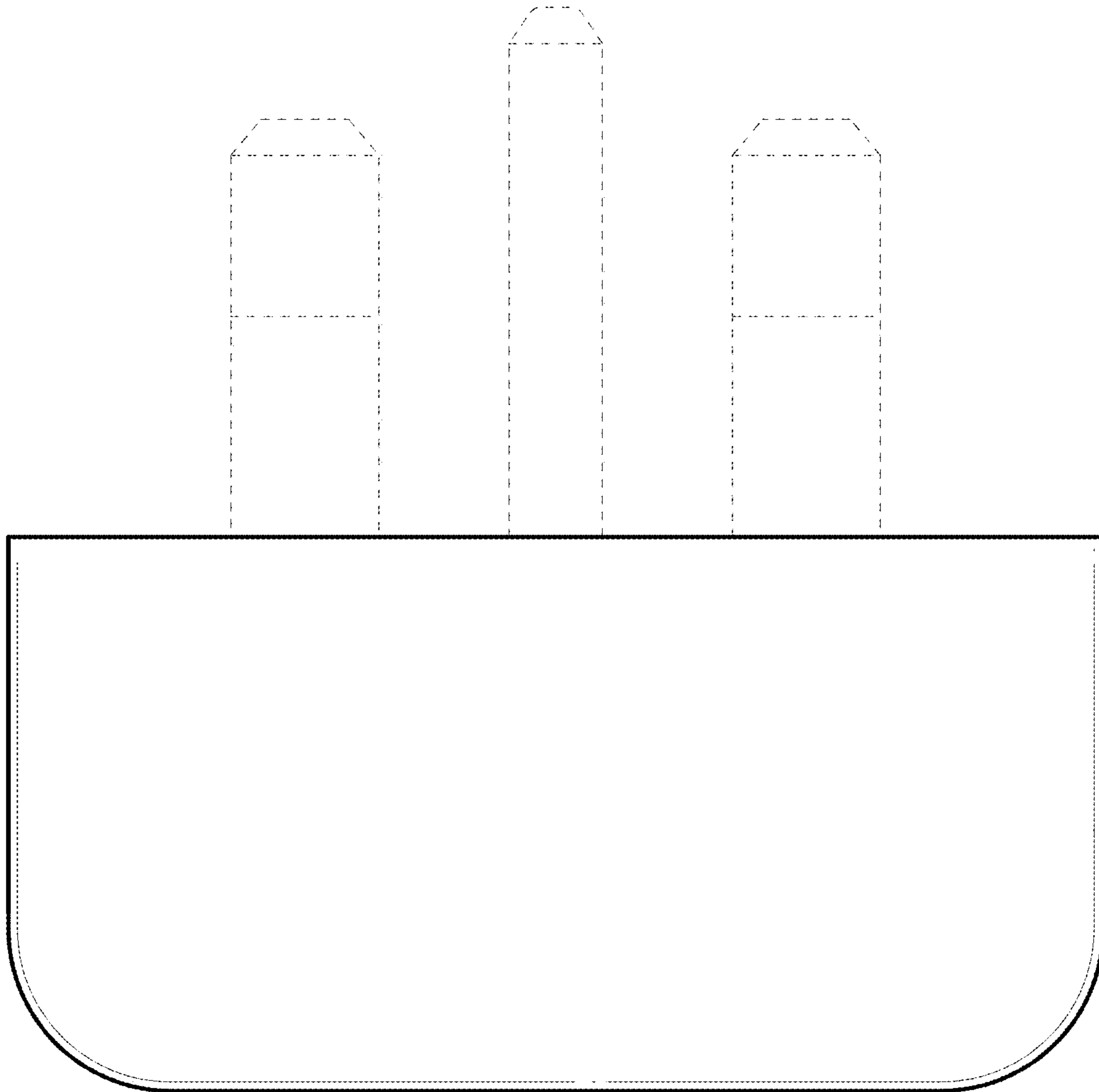


FIG. 3

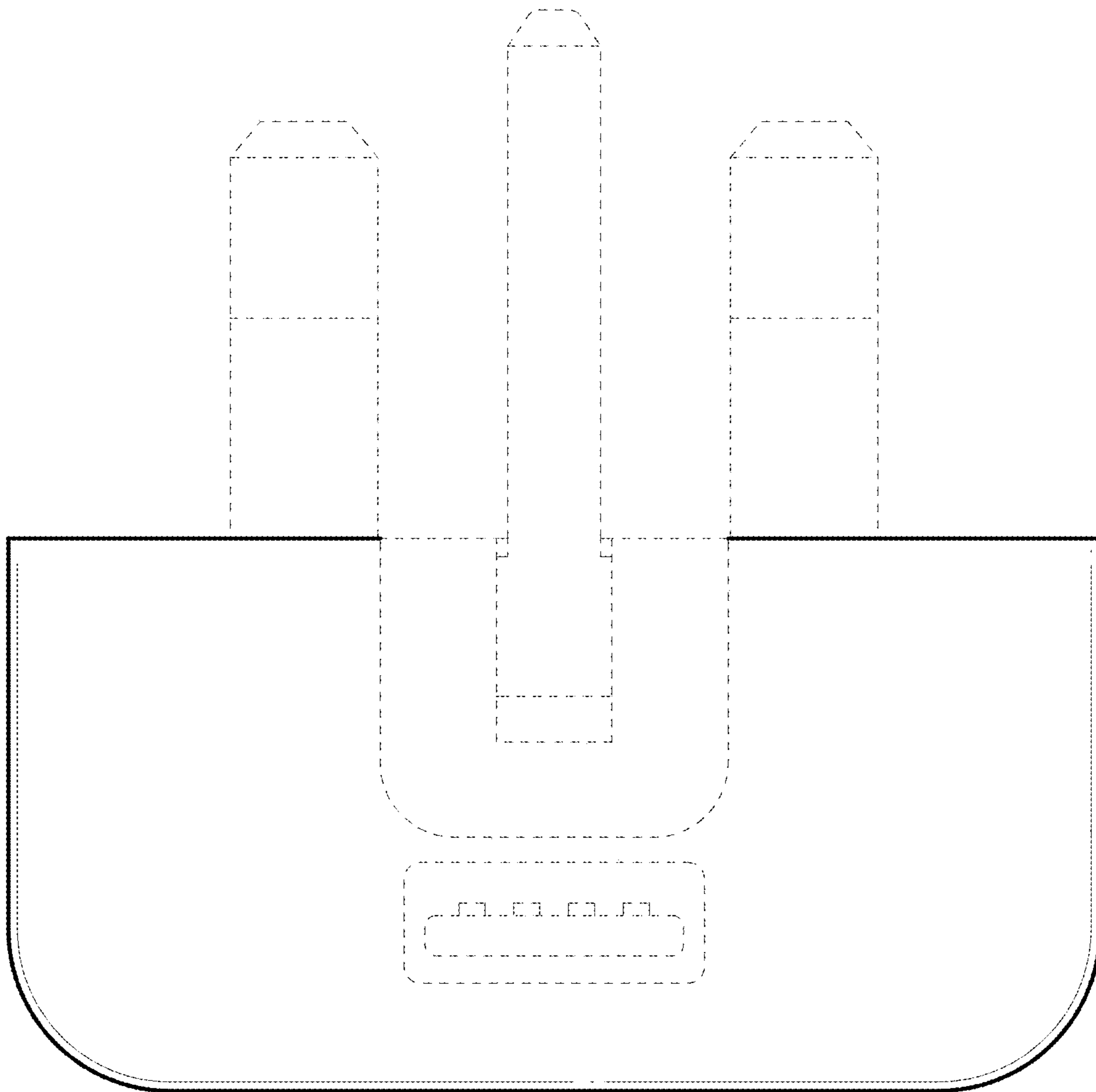


FIG. 4

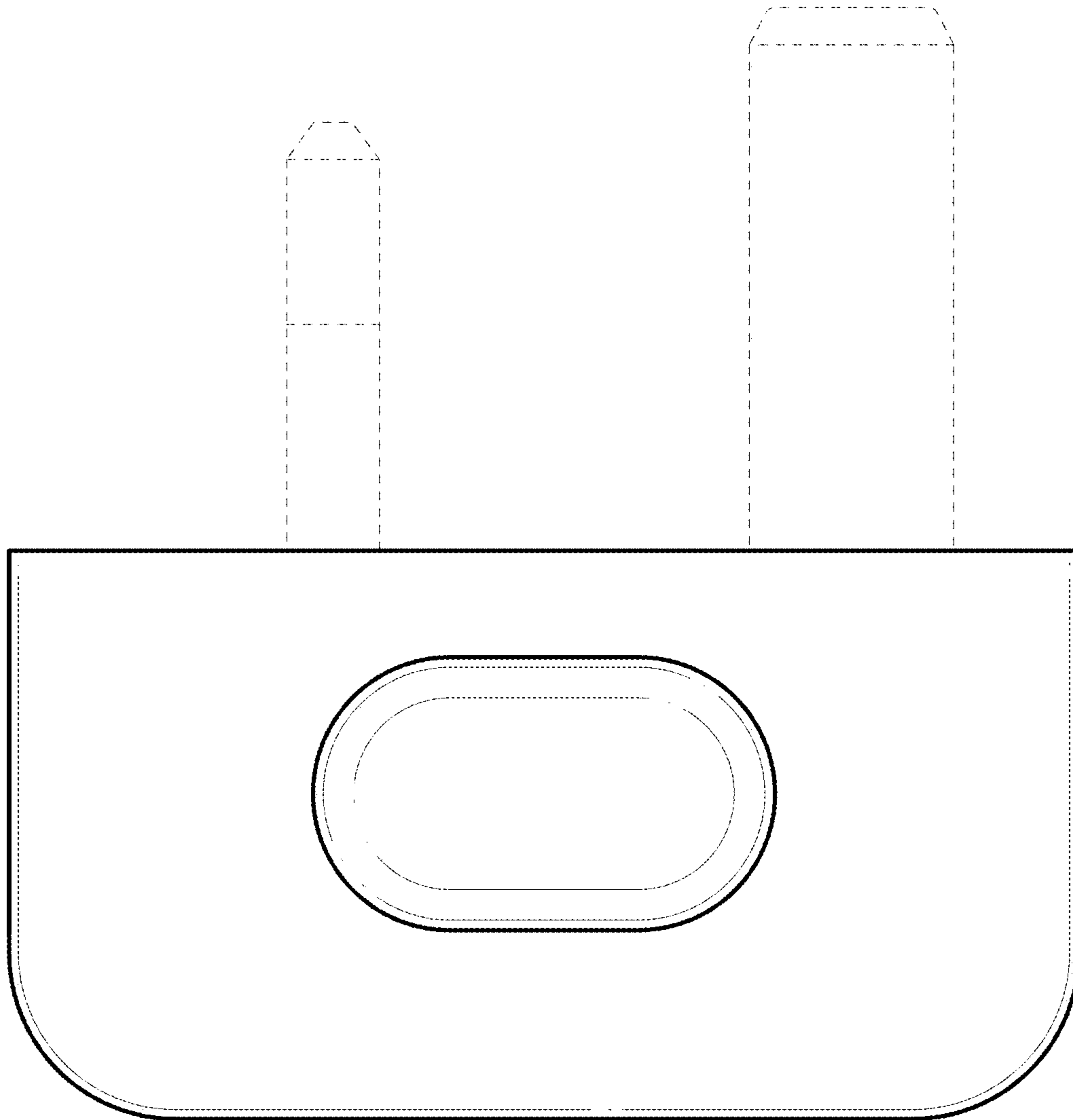


FIG. 5

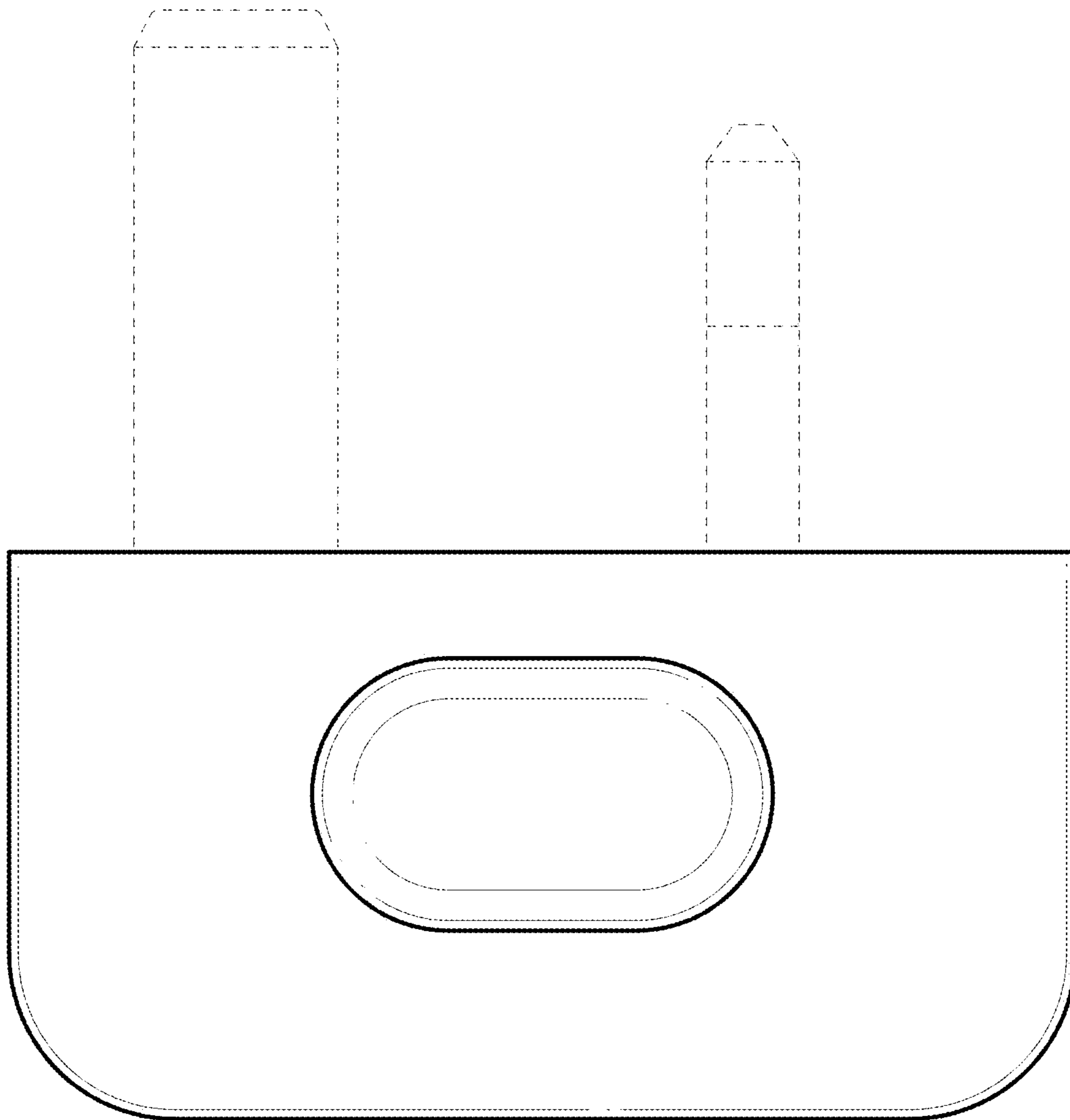


FIG. 6

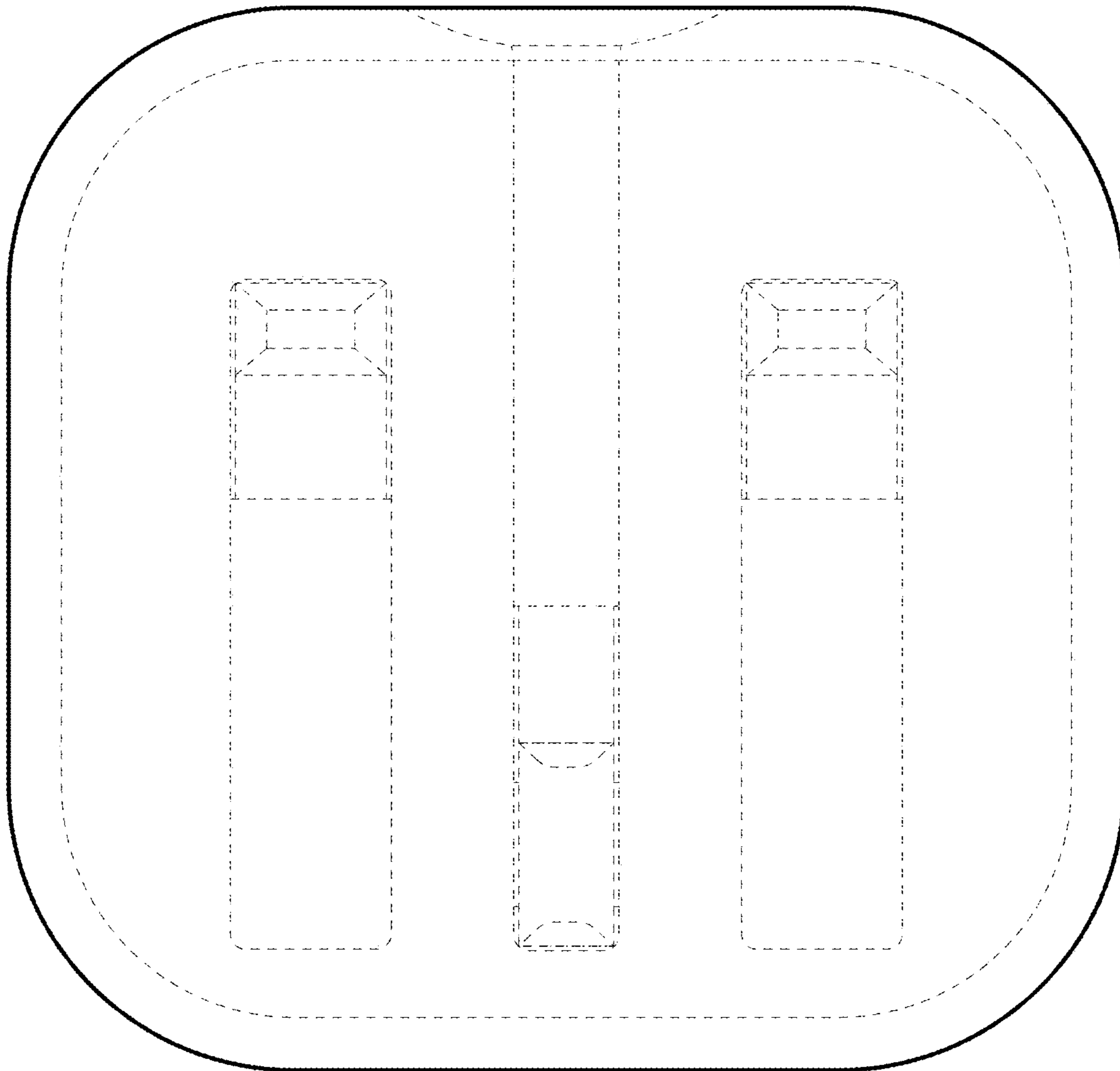


FIG. 7

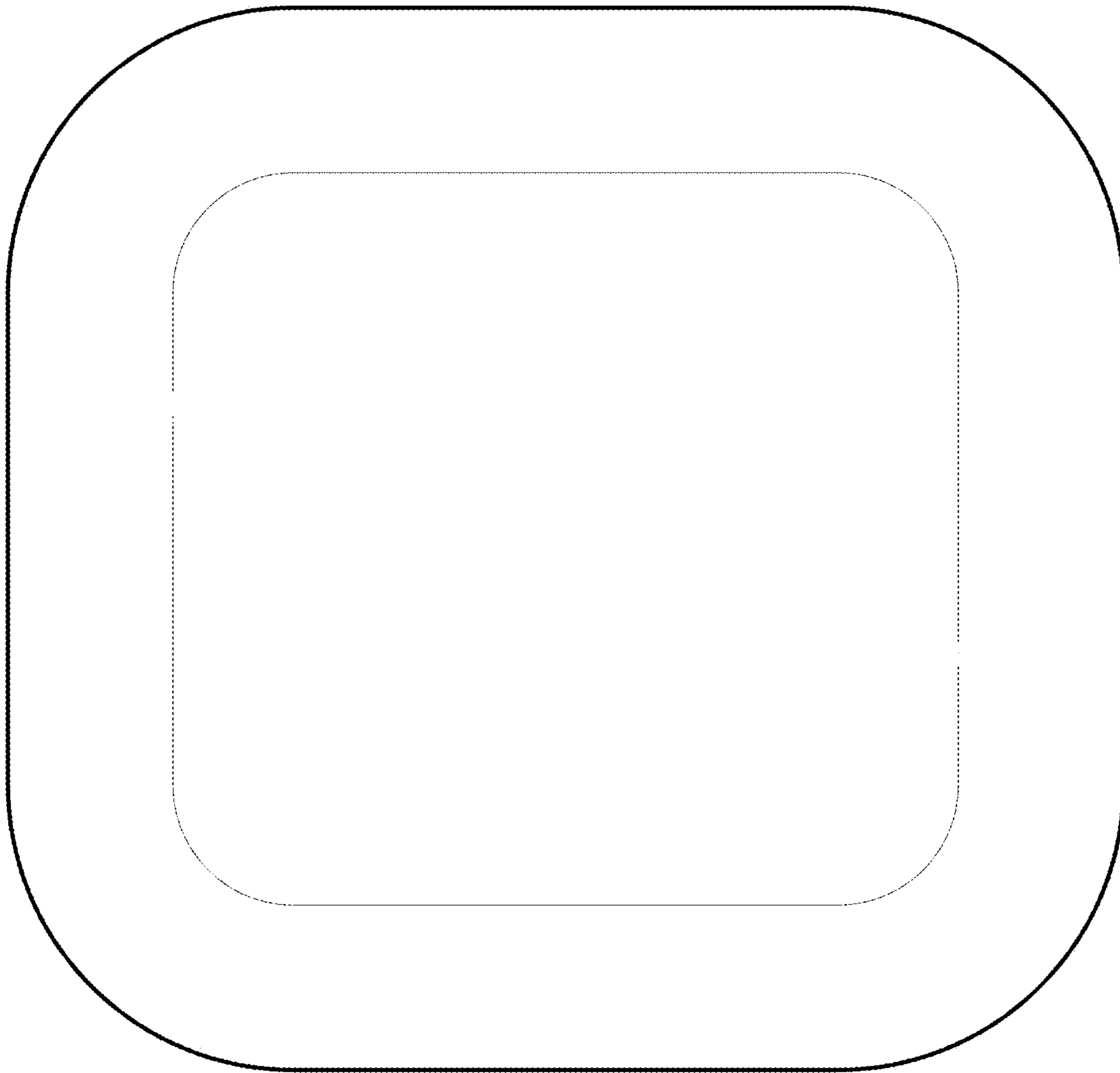


FIG. 8