



US00D977434S

(12) **United States Design Patent** (10) **Patent No.:** **US D977,434 S**
Harvey (45) **Date of Patent:** **** Feb. 7, 2023**

(54) **INPUT/OUTPUT MODULE**

(71) Applicant: **PassiveLogic, Inc.**, Holladay, UT (US)

(72) Inventor: **Troy Aaron Harvey**, Brighton, UT (US)

(73) Assignee: **PASSIVELOGIC, INC.**, Holladay, UT (US)

(**) Term: **15 Years**

(21) Appl. No.: **29/748,479**

(22) Filed: **Aug. 28, 2020**

(51) **LOC (14) Cl.** **13-03**

(52) **U.S. Cl.**
USPC **D13/147; D13/110**

(58) **Field of Classification Search**
USPC D13/101, 110, 118, 133, 123, 134, 146,
D13/147, 154, 162, 184, 199; D14/149,
D14/432, 433, 438
CPC H01R 9/05; H01R 9/2416; H01R 12/04;
H01R 12/62; H01R 12/71; H01R 12/727;
H01R 12/728; H01R 12/7076; H01R
12/7082; H01R 13/05; H01R 13/20;
H01R 13/24; H01R 13/501; H01R
13/514; H01R 4/029; H01R 4/24; H01R
4/28; H01R 4/48; H01R 4/4818; H01R
4/4836; G02B 6/4446; G02B 6/4471

See application file for complete search history.

(56) **References Cited**

U.S. PATENT DOCUMENTS

D544,441 S *	6/2007	Sichner	D13/146
D576,562 S *	9/2008	Kaluza	D13/162
D625,270 S *	10/2010	Schafmeister	D13/147
D676,391 S *	2/2013	Gassauer	D13/147
D796,449 S *	9/2017	Hultquist	D13/147
D828,296 S *	9/2018	Gan	D13/110
D862,394 S *	10/2019	Hernandez	D13/147
D888,060 S *	6/2020	Cote	D14/433

* cited by examiner

Primary Examiner — Derrick E Holland

(74) *Attorney, Agent, or Firm* — Kunzler Bean & Adamson

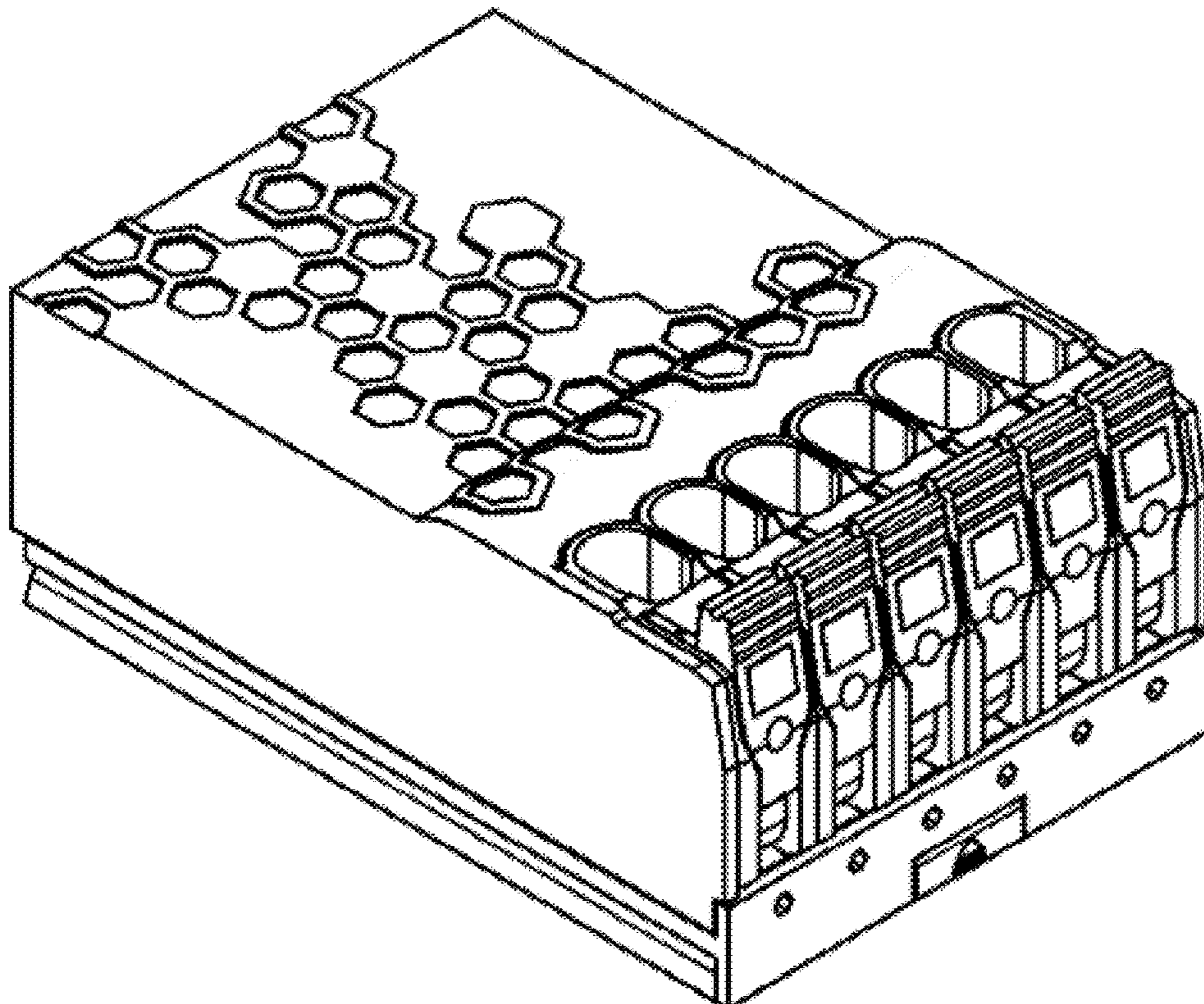
(57) **CLAIM**

The ornamental design for an input/output module, as shown and described.

DESCRIPTION

FIG. 1 is a perspective view of an input/output module; FIG. 2 is a front view of the input/output module; FIG. 3 is a rear view of the input/output module; FIG. 4 is a left view of the input/output module; FIG. 5 is a right view of the input/output module; FIG. 6 is a top view of the input/output module; and, FIG. 7 is a bottom view of the input/output module. The broken lines shown represent the portions of the input/output module that form no part of the claimed design.

1 Claim, 7 Drawing Sheets



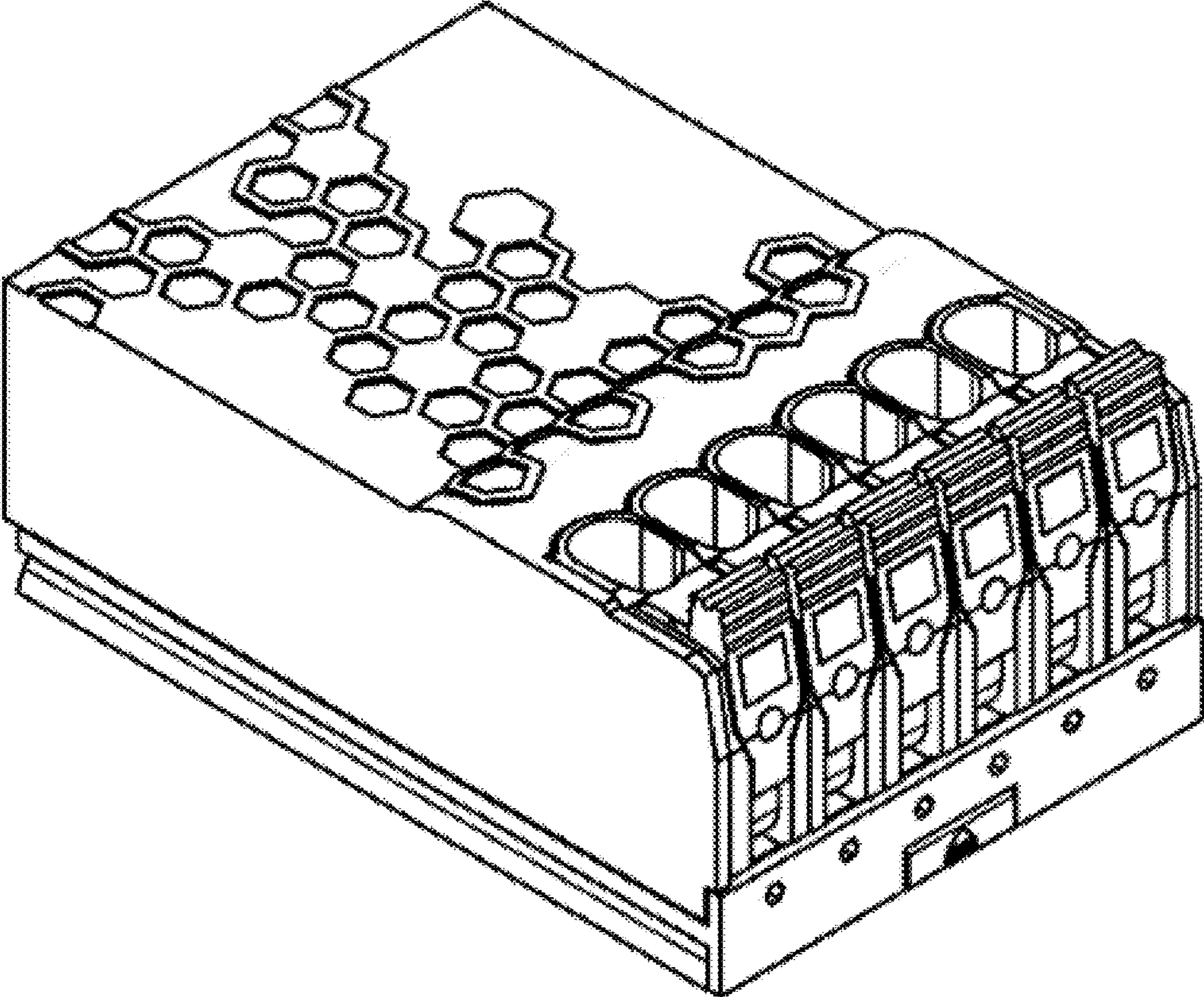


FIG. 1

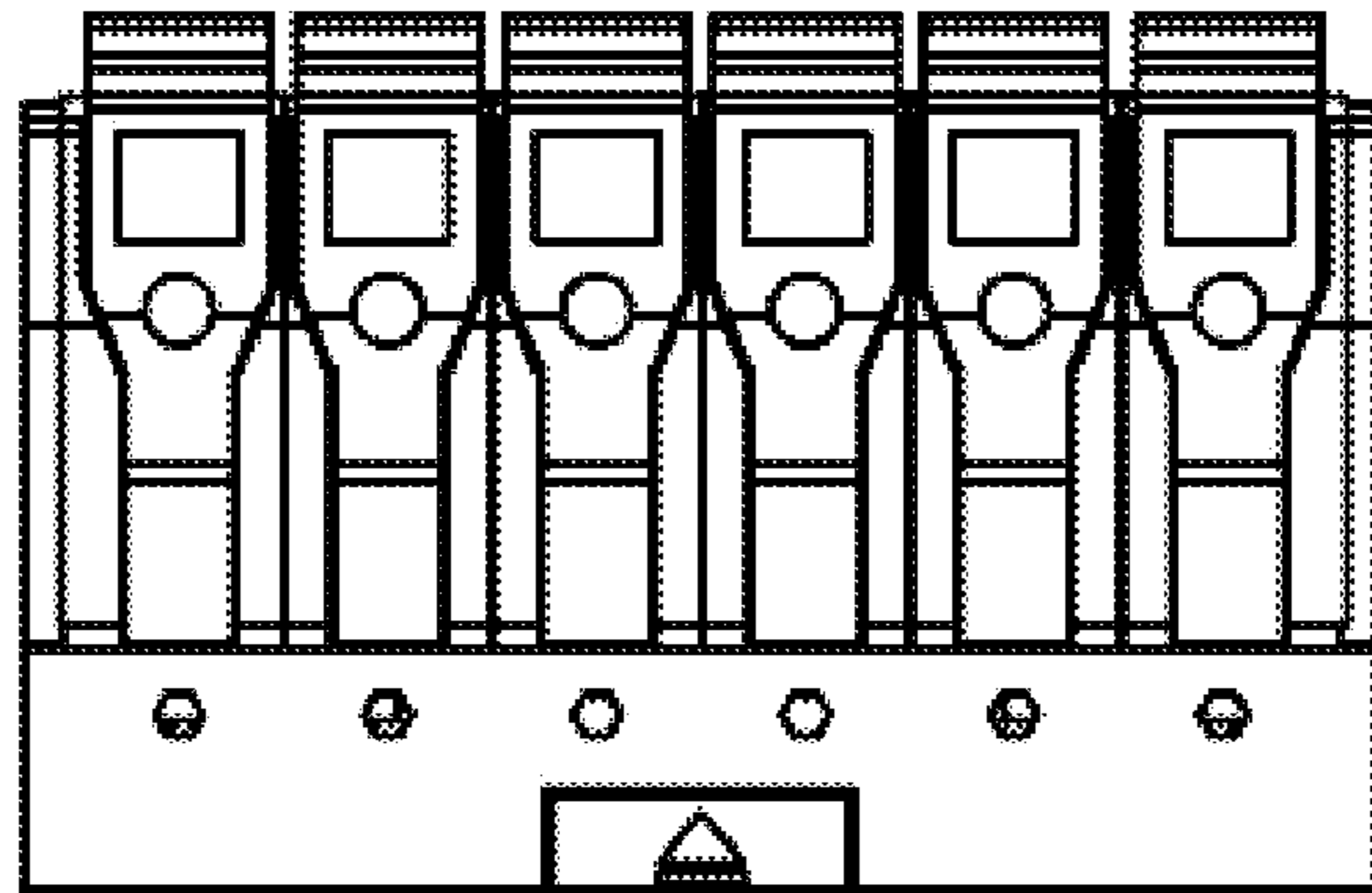


FIG. 2

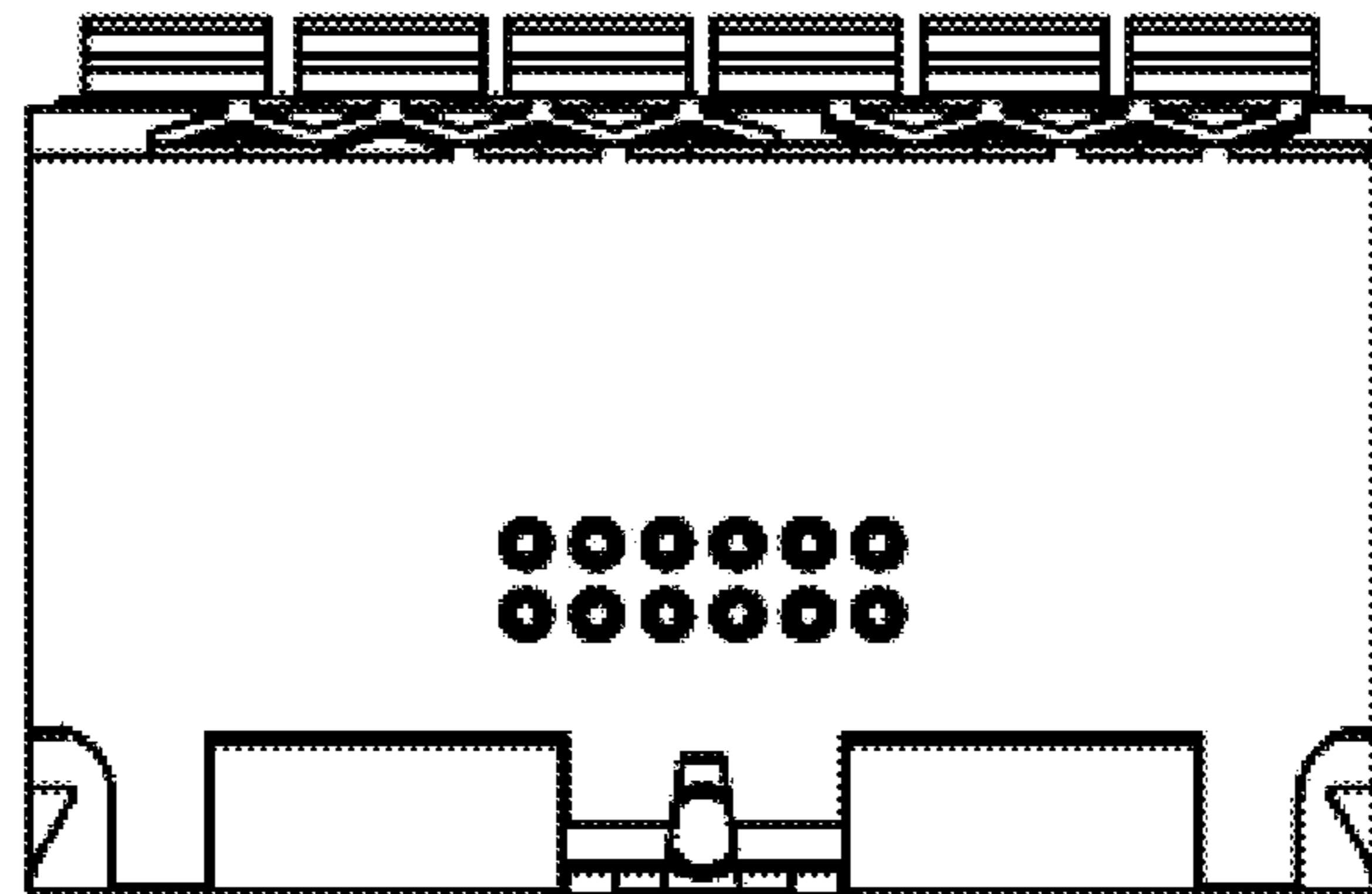


FIG. 3

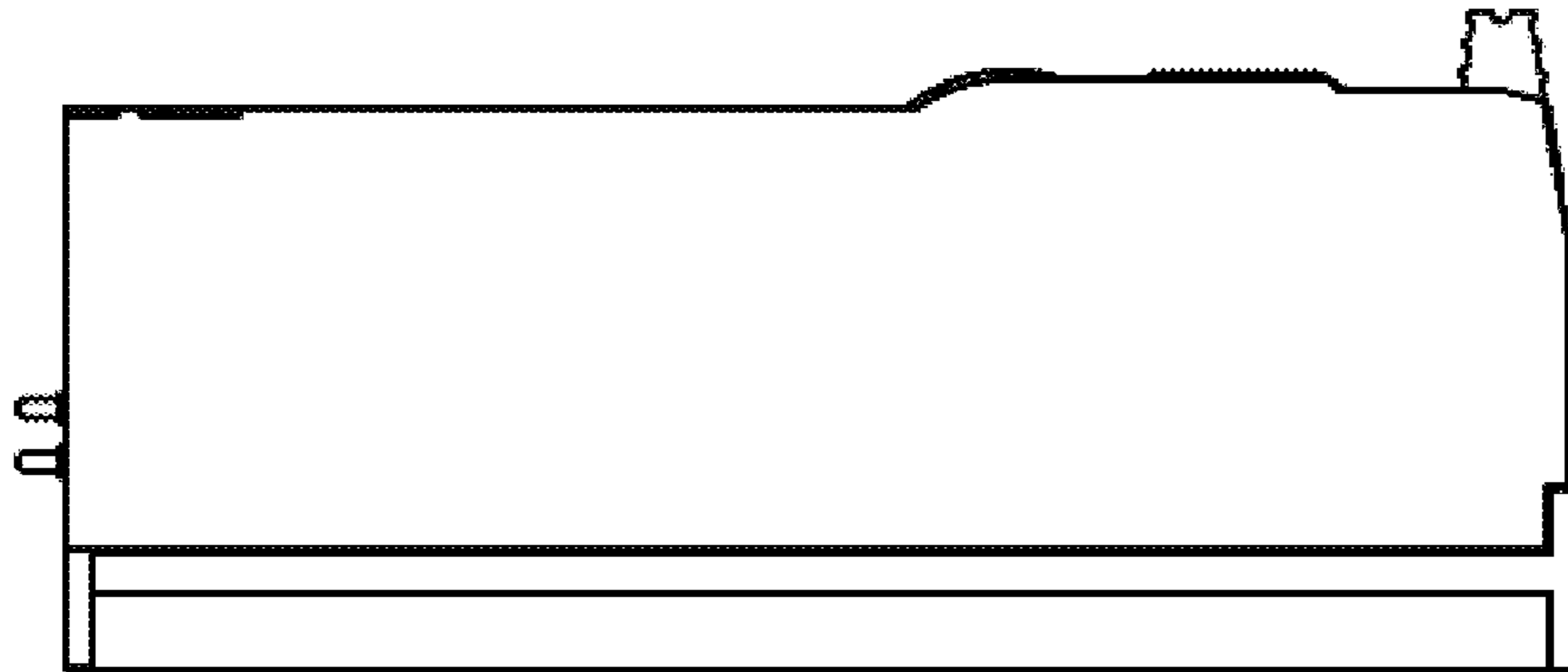


FIG. 4

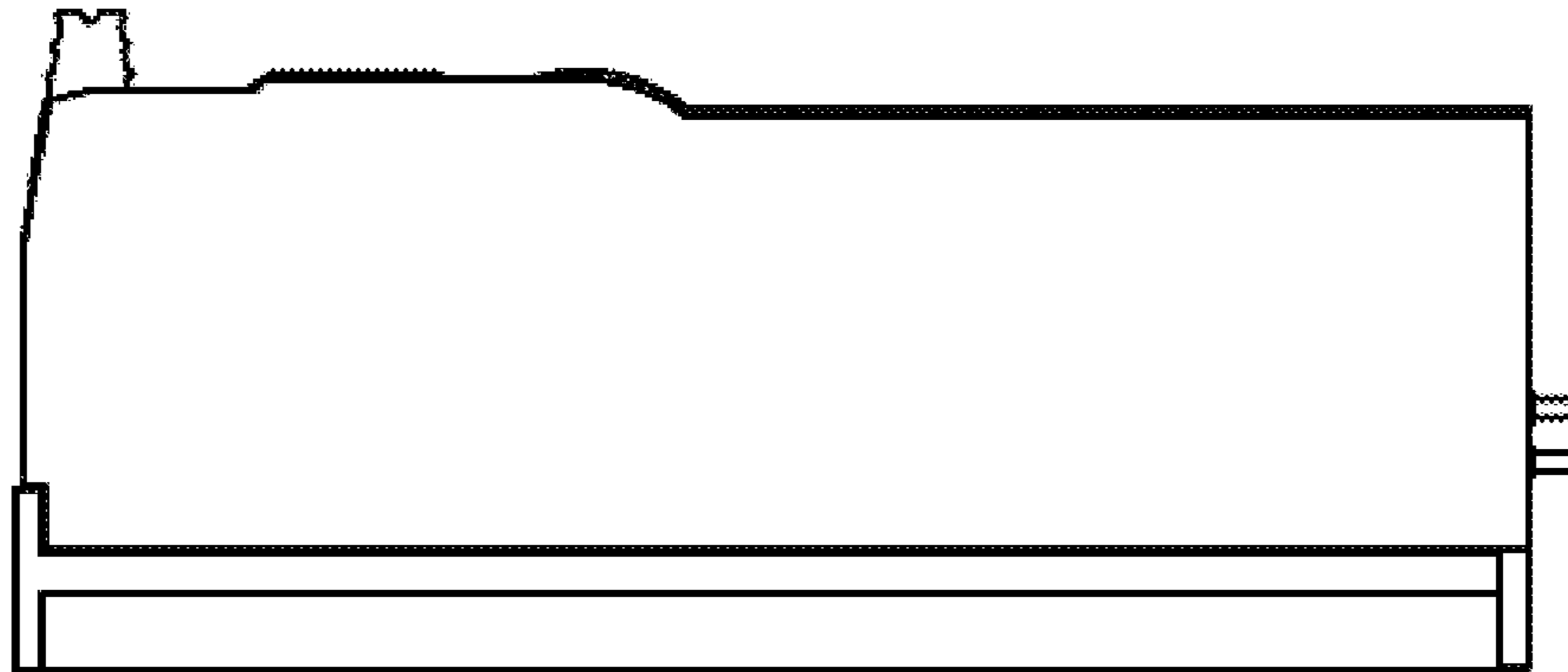


FIG. 5

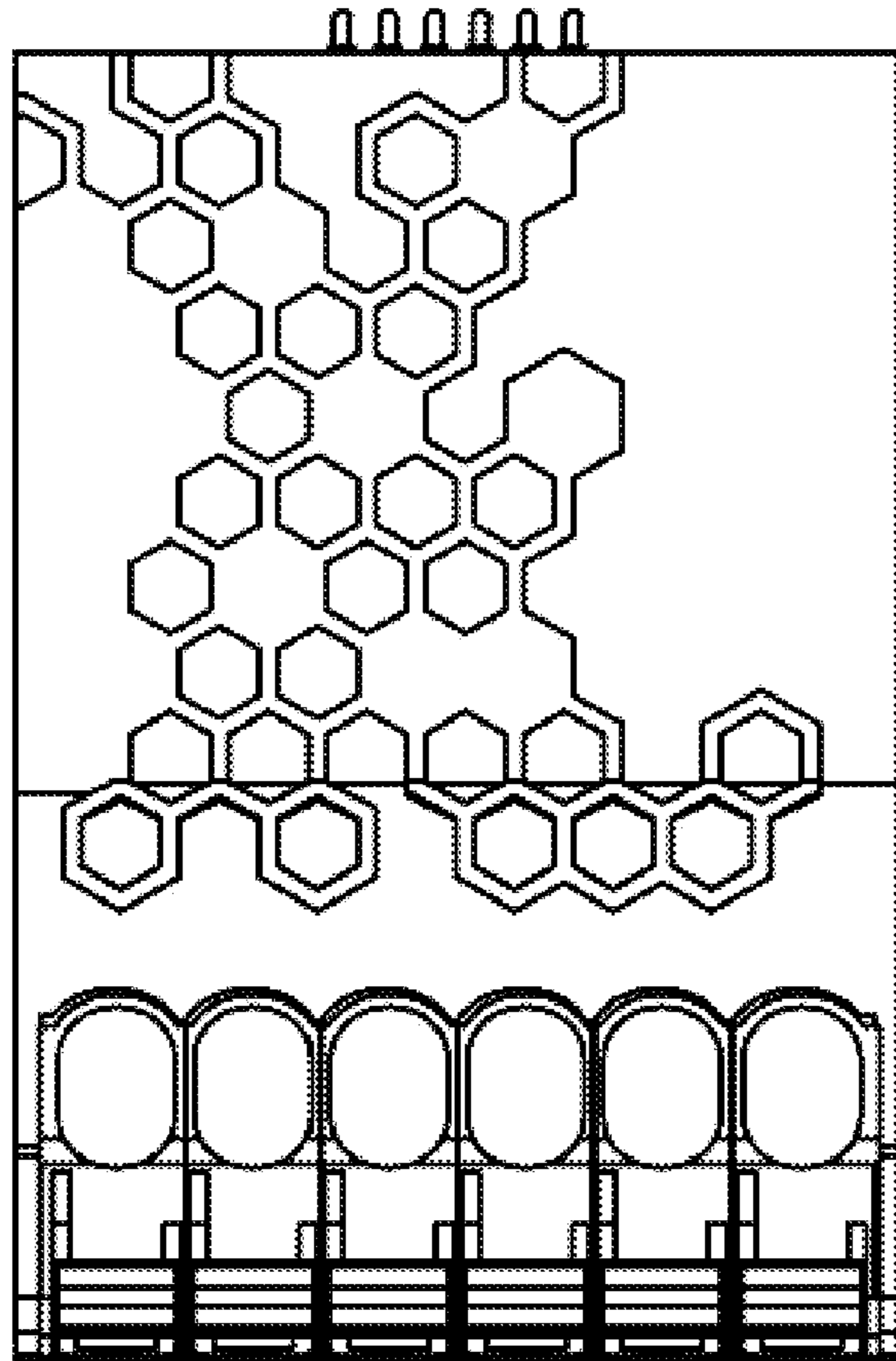


FIG. 6

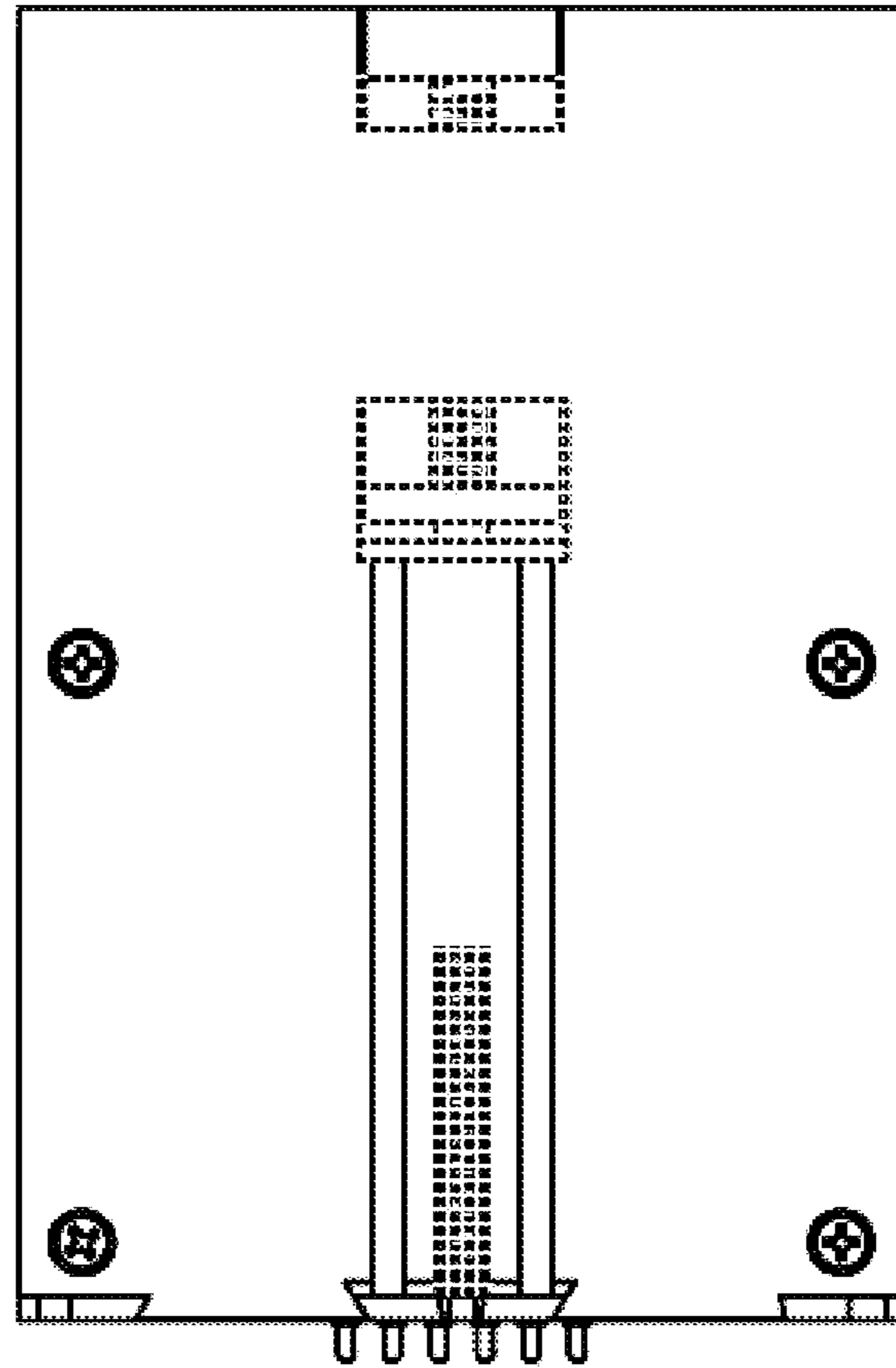


FIG. 7