



US00D977433S

(12) **United States Design Patent** (10) **Patent No.:** **US D977,433 S**
Tran et al. (45) **Date of Patent:** **** Feb. 7, 2023**

(54) **DETACHABLE CONNECTOR FOR COMMUNICATION DEVICE**

keywords=motorola+3.5mm+jack+ip54&qid=1663364350&sr=8-15 Sep. 24, 2014 (Year: 2014).*

(71) Applicant: **MOTOROLA SOLUTIONS, INC.**,
Chicago, IL (US)

Primary Examiner — Derrick E Holland
(74) *Attorney, Agent, or Firm* — Raguraman Kumaresan

(72) Inventors: **Chi T. Tran**, Naperville, IL (US);
Jorge L. Garcia, Plantation, FL (US);
Kiok Yung Lee, Nibong Tebal (MY);
Goktug Duman, Oakland Park, FL (US)

(57) **CLAIM**

The ornamental design for a detachable connector for a communication device, as shown and described.

(73) Assignee: **MOTOROLA SOLUTIONS, INC.**,
Chicago, IL (US)

DESCRIPTION

(**) Term: **15 Years**

FIG. 1 is a front perspective view of a first embodiment of an ornamental design for a detachable connector for a communication device;
FIG. 2 is a rear perspective view of the first embodiment thereof;
FIG. 3 is a front view of the first embodiment thereof;
FIG. 4 is a rear view of the first embodiment thereof;
FIG. 5 is a first side view of the first embodiment thereof;
FIG. 6 is a second side view of the first embodiment thereof;
FIG. 7 is a top view of the first embodiment thereof; and
FIG. 8 is a bottom view of the first embodiment thereof.
FIG. 9 is a front perspective view of a second embodiment of an ornamental design for a detachable connector for a communication device;
FIG. 10 is a rear perspective view of the second embodiment thereof;
FIG. 11 is a front view of the second embodiment thereof;
FIG. 12 is a rear view of the second embodiment thereof;
FIG. 13 is a first side view of the second embodiment thereof;
FIG. 14 is a second side view of the second embodiment thereof;
FIG. 15 is a top view of the second embodiment thereof; and
FIG. 16 is a bottom view of the second embodiment thereof.
The broken lines in the figures represent portions of the article which form no part of the claimed design.

(21) Appl. No.: **29/733,201**

(22) Filed: **Apr. 30, 2020**

(51) **LOC (14) Cl.** **13-03**

(52) **U.S. Cl.**
USPC **D13/147**

(58) **Field of Classification Search**
USPC D13/110, 118, 120, 123, 133, 146, 147,
D13/149, 154, 156, 158, 159, 184, 199;
D14/137, 225, 226, 433, 438, 439
CPC H01R 13/44; H01R 13/52; H01R 13/62;
H01R 13/64; H01R 13/66; H01R 13/502;
H01R 13/514; H01R 13/639; H01R
(Continued)

(56) **References Cited**

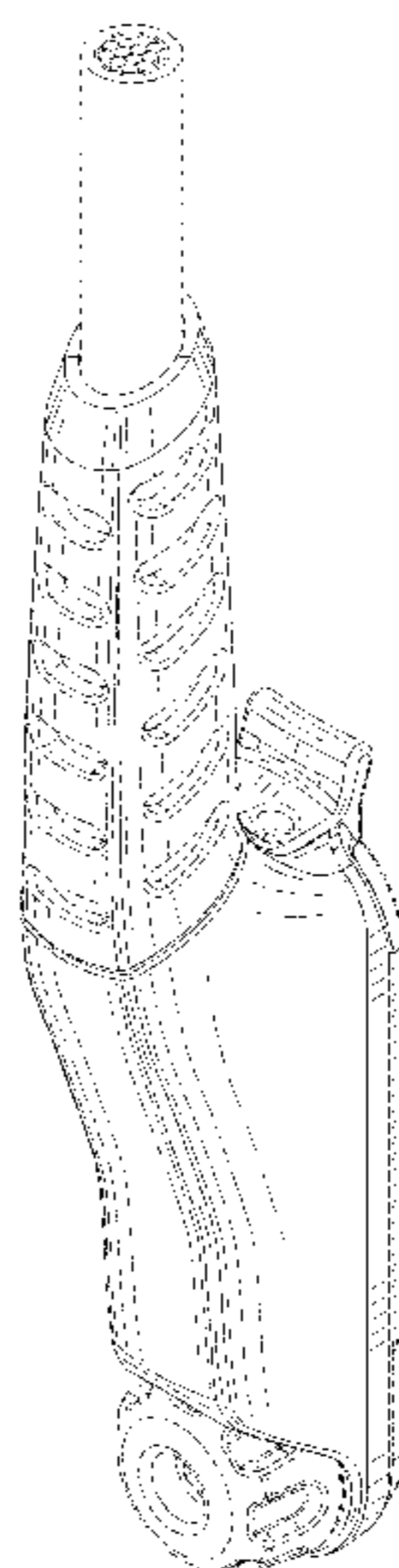
U.S. PATENT DOCUMENTS

D275,848 S * 10/1984 Ricossa D13/133
D388,053 S * 12/1997 Robertson, Jr. D13/133
(Continued)

OTHER PUBLICATIONS

https://www.amazon.com/Motorola-PMMN4025-PMMN4025A-Microphone-MotoTurbo/dp/B00NVKZMX6/ref=sr_1_15?

1 Claim, 14 Drawing Sheets



(58) **Field of Classification Search**

CPC 13/6272; H01R 12/52; H01R 12/53; H01R
12/515; H01R 12/585; H01R 12/716;
H01R 12/7005; H05K 1/18; H05K 5/0256
See application file for complete search history.

(56) **References Cited**

U.S. PATENT DOCUMENTS

D413,104	S	*	8/1999	Curtis	D13/147
D691,563	S	*	10/2013	Yong	D13/147
D769,823	S	*	10/2016	Qu	D13/147
D776,058	S	*	1/2017	Blum	D13/147
D778,838	S	*	2/2017	Dobler	D13/133

* cited by examiner

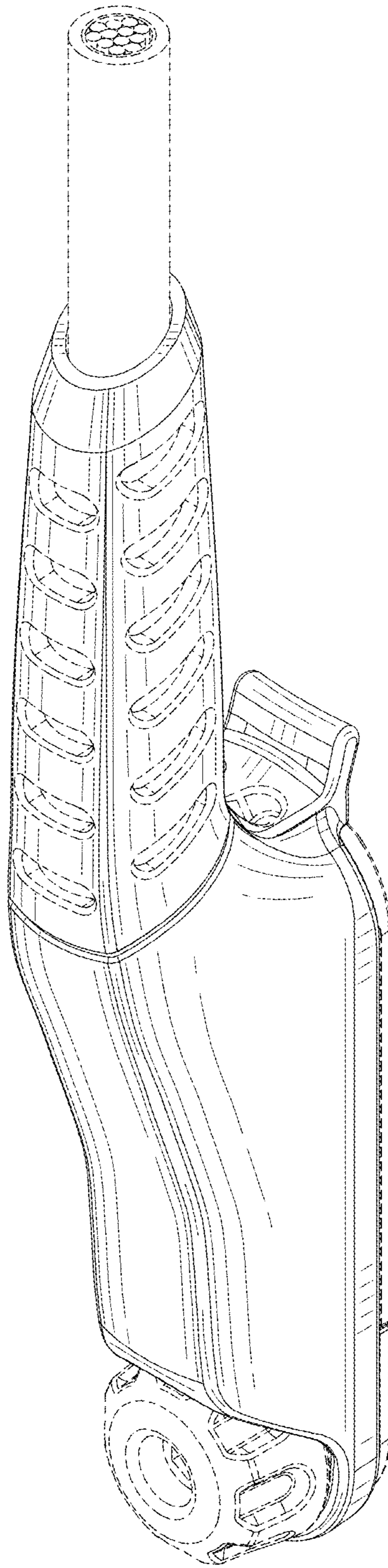


FIG. 1

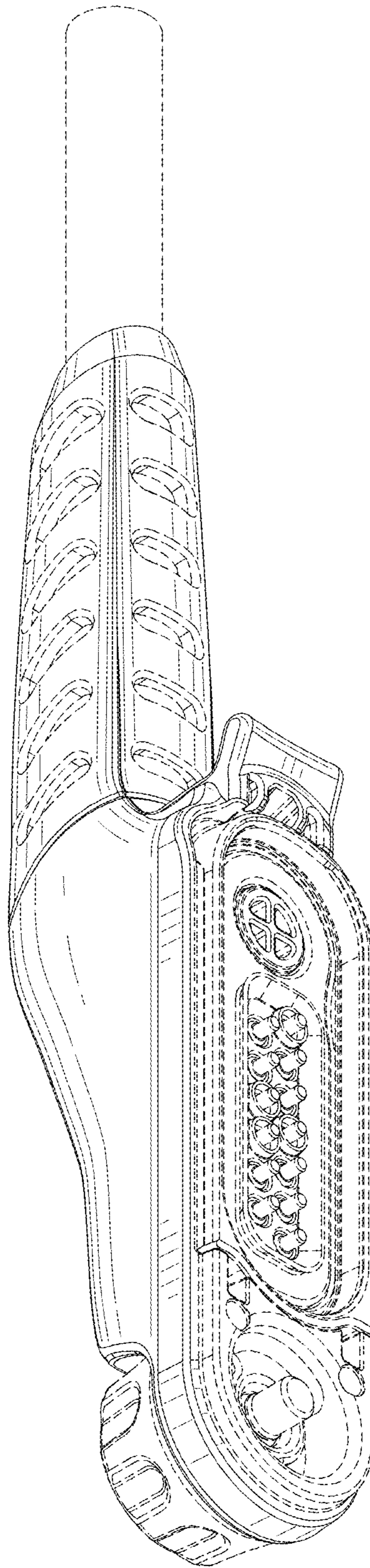


FIG. 2

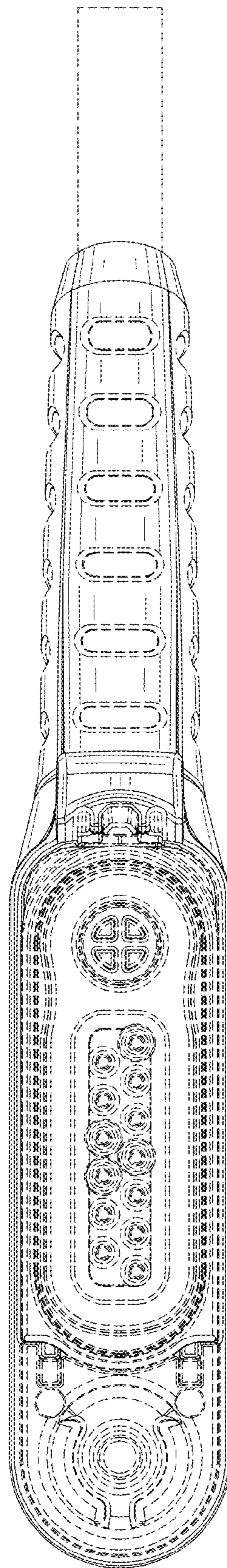


FIG. 3

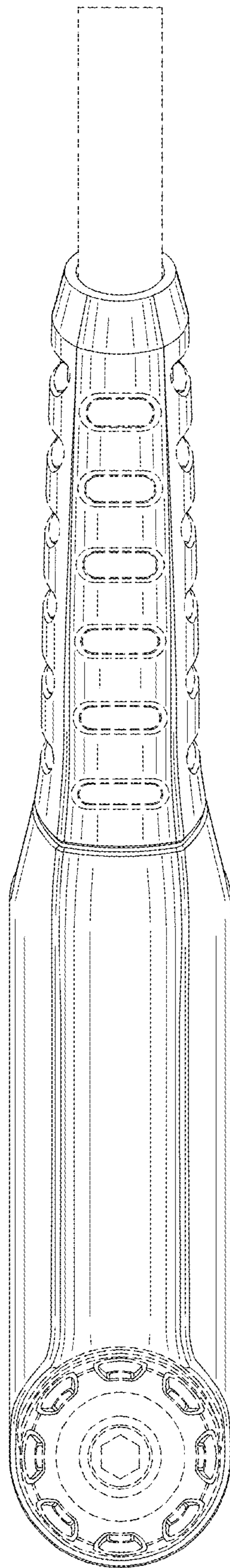


FIG. 4

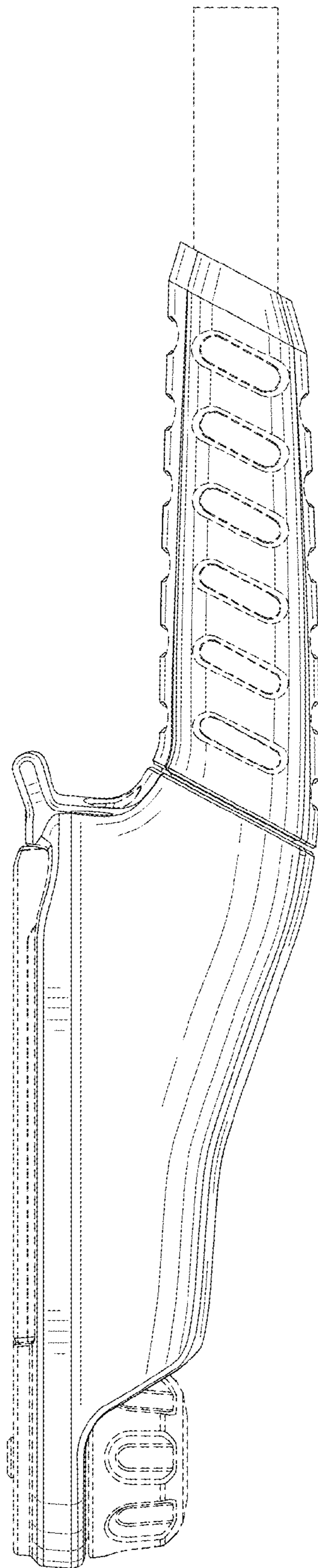


FIG. 5

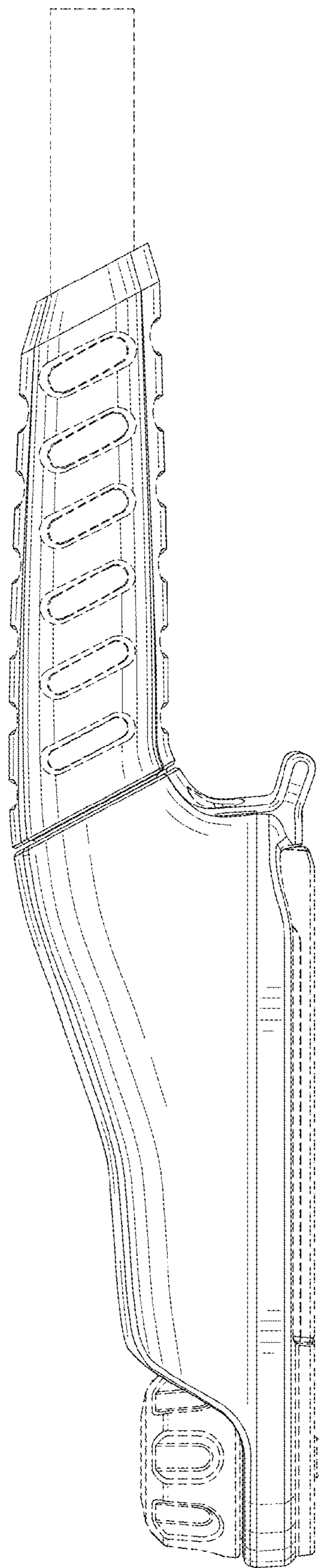


FIG. 6

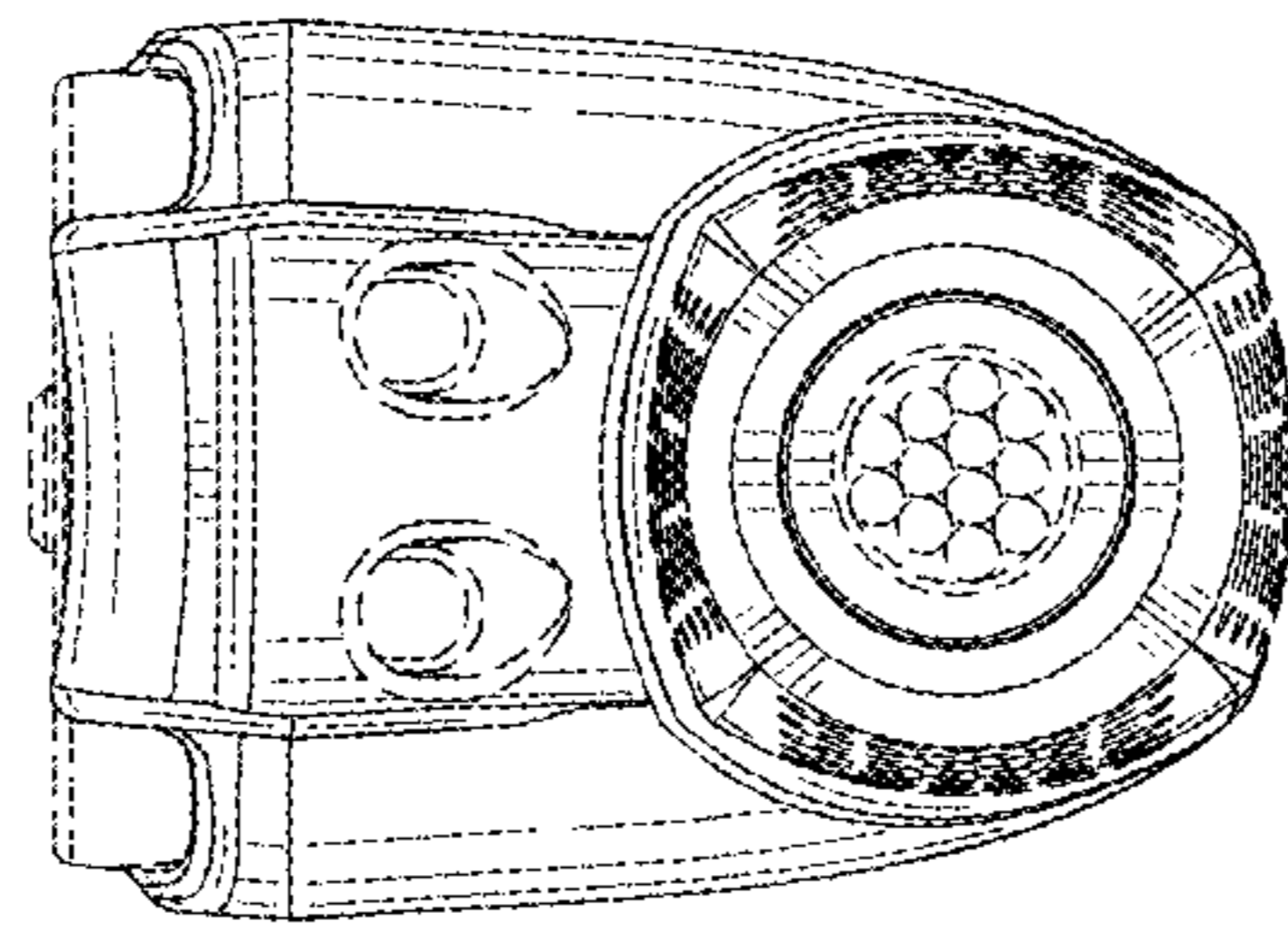


FIG. 7

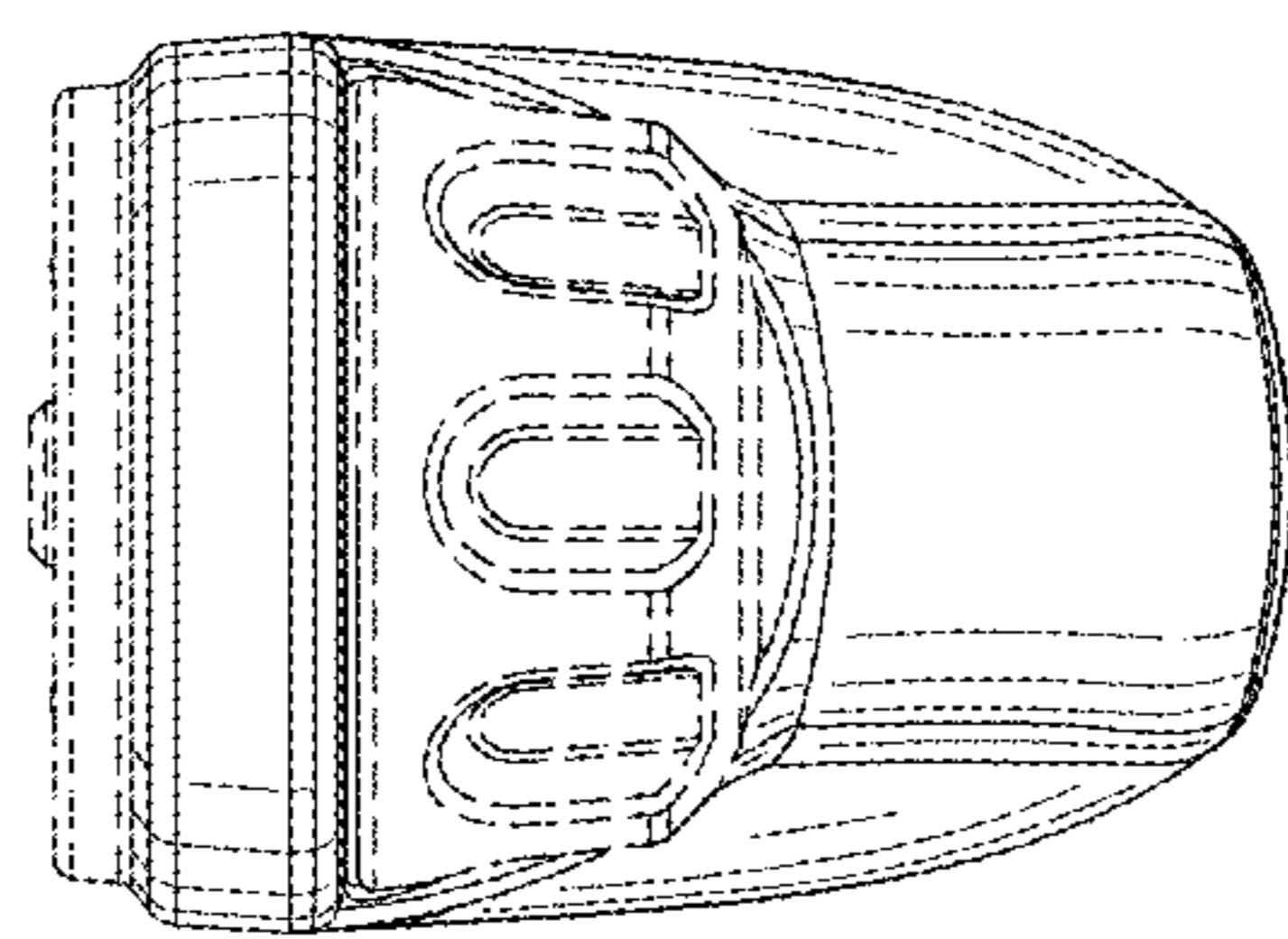


FIG. 8

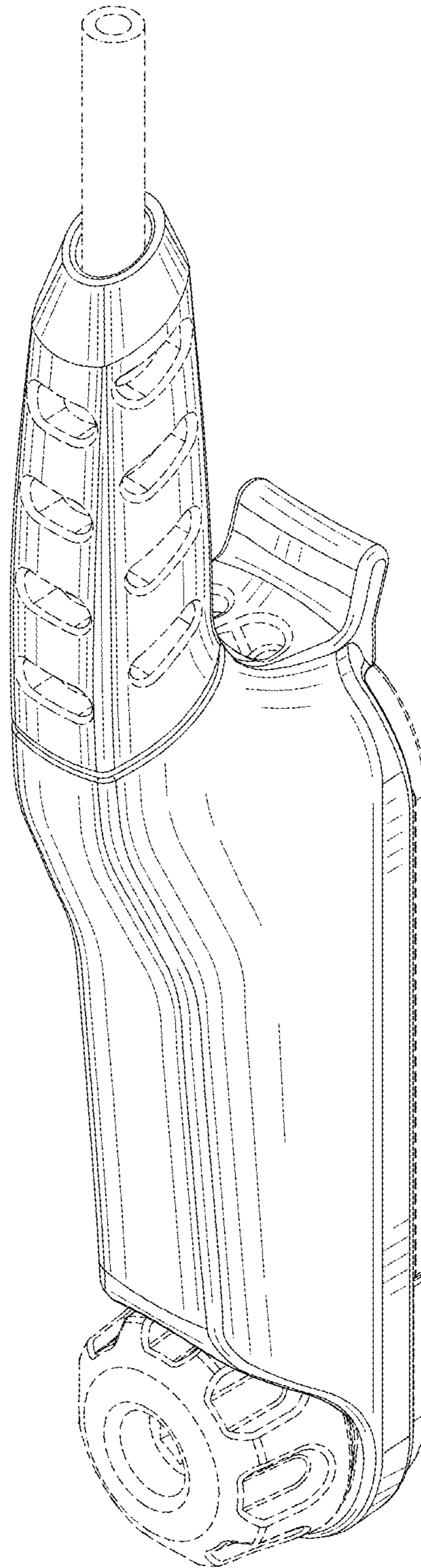


FIG. 9

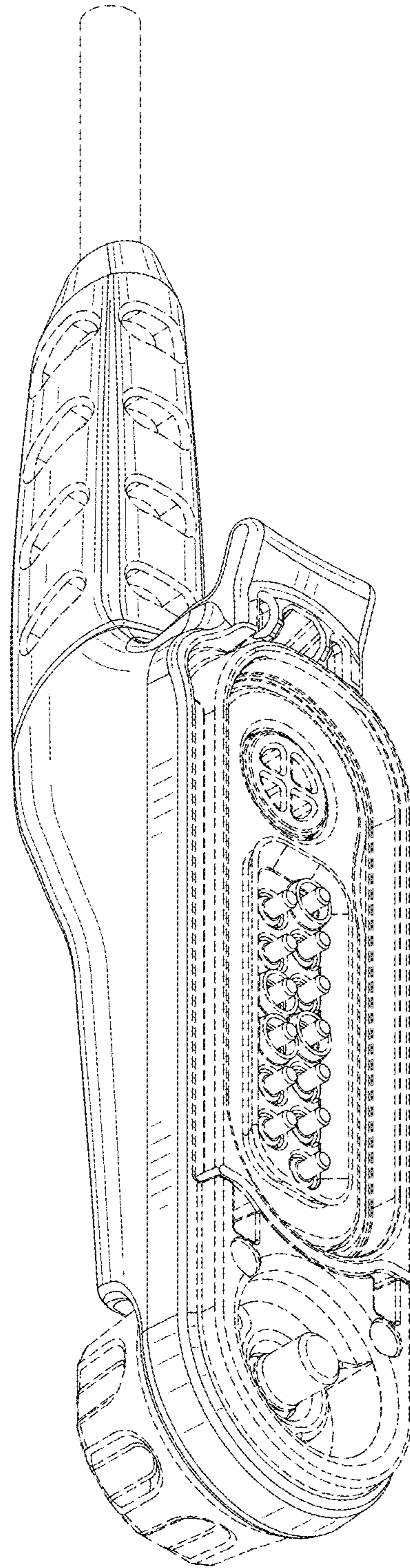


FIG. 10

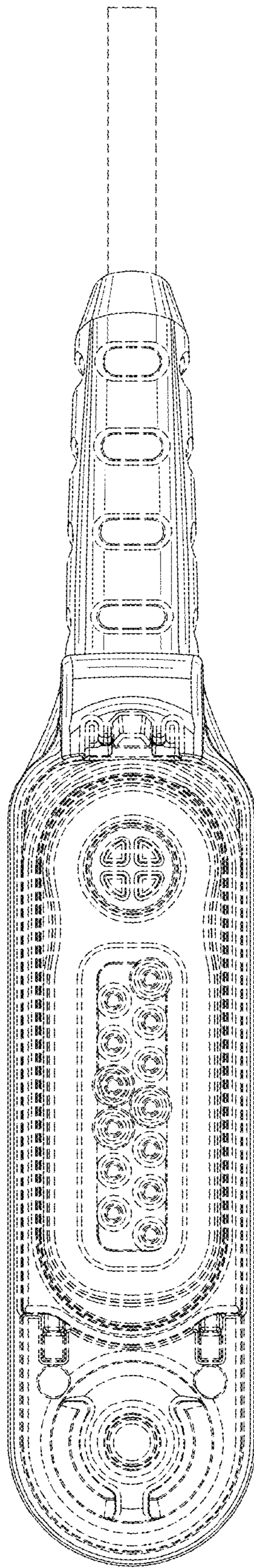


FIG. 11

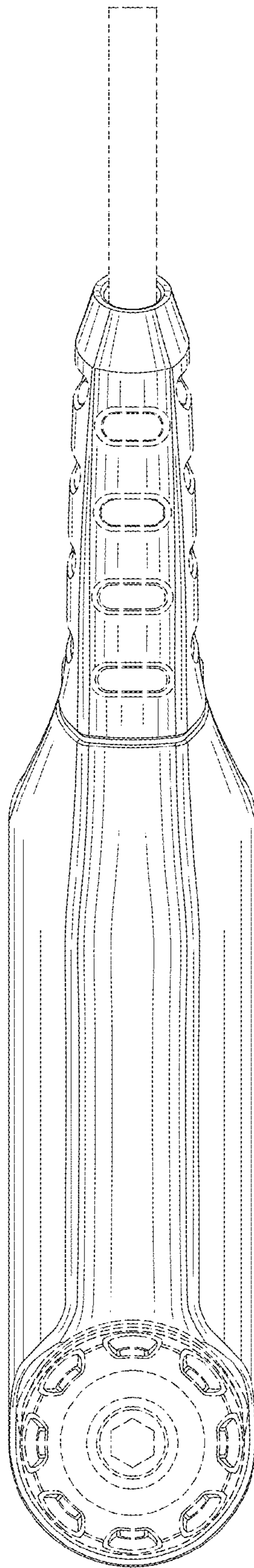


FIG. 12

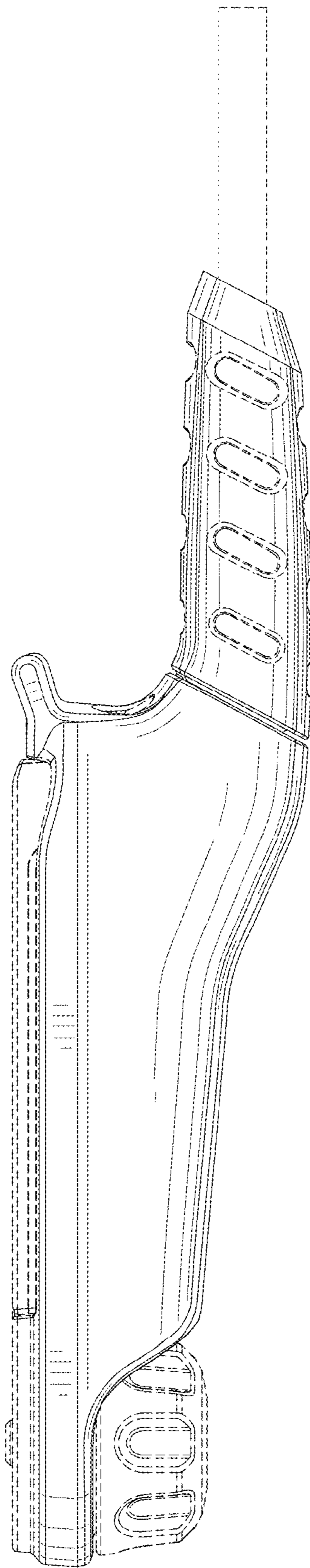


FIG. 13

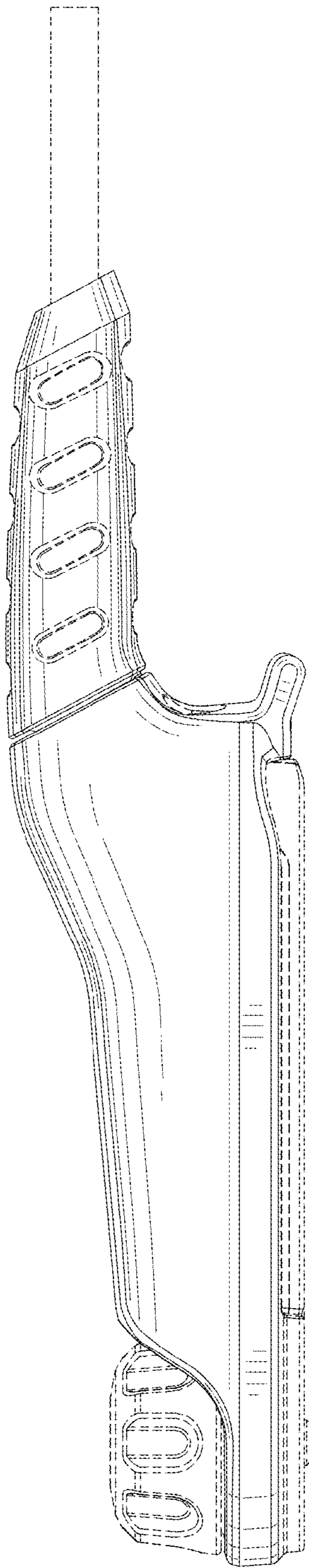


FIG. 14

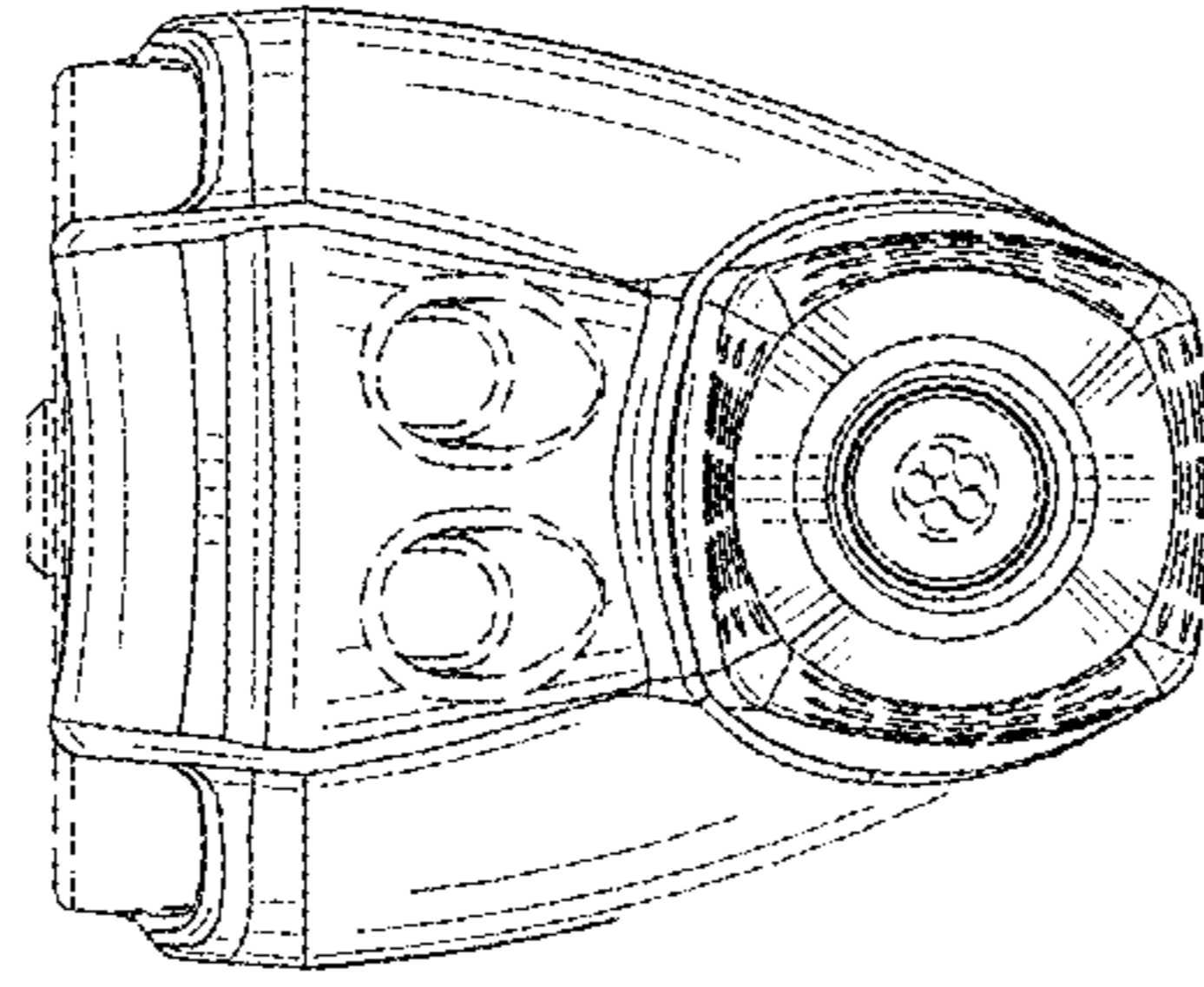


FIG. 15

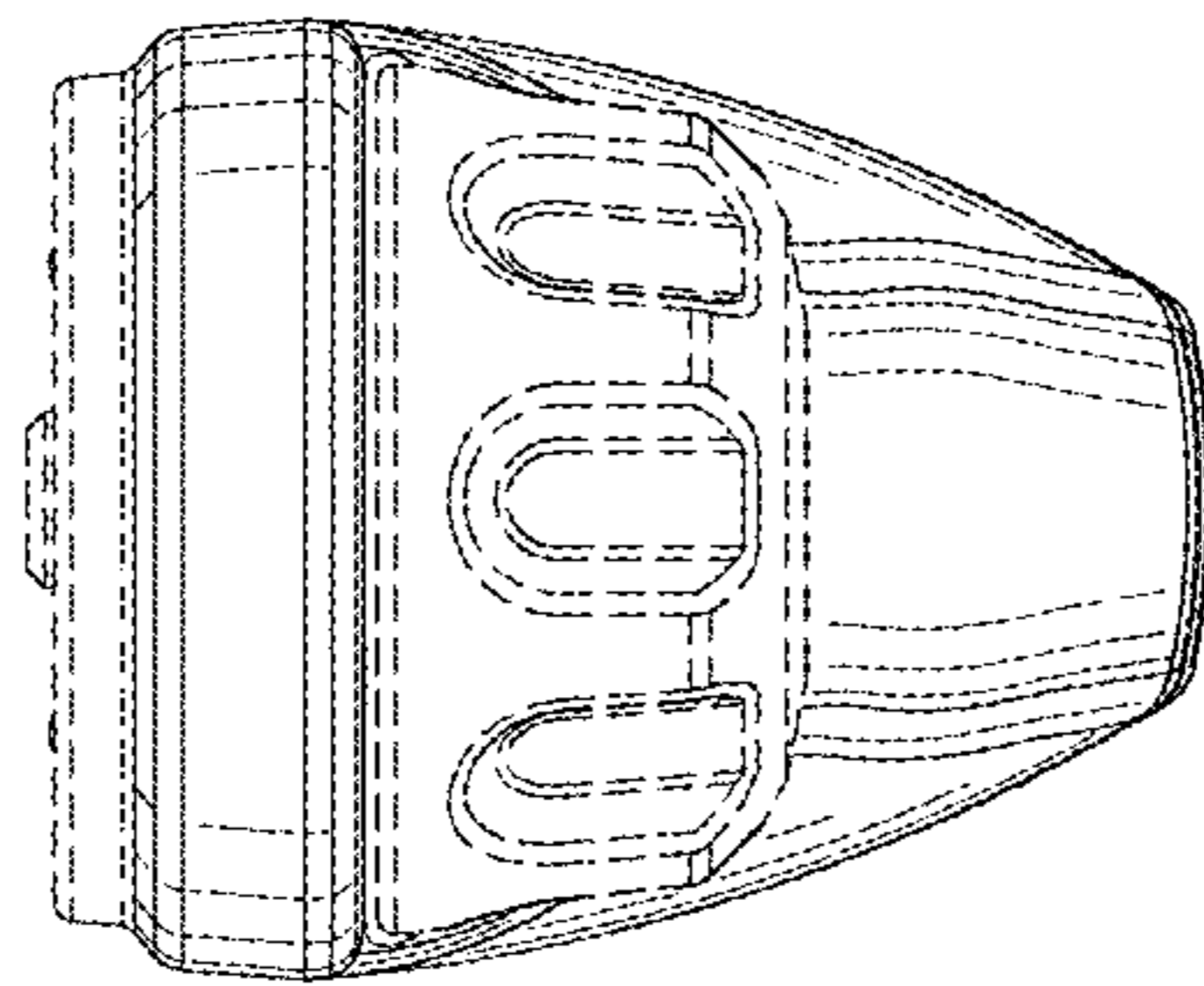


FIG. 16