



US00D977432S

(12) **United States Design Patent**
Bellingroth et al.

(10) **Patent No.:** **US D977,432 S**

(45) **Date of Patent:** **** Feb. 7, 2023**

(54) **USB CHARGING SOCKET**

(71) Applicant: **JIAXING SINO HARDWARE
MANUFACTURING CO., LTD,**
Jiaxing (CN)

(72) Inventors: **Klaus Bellingroth**, Jiaxing (CN); **Peng
Sun**, Jiaxing (CN); **Peng Liu**, Jiaxing
(CN)

(**) Term: **15 Years**

(21) Appl. No.: **29/854,915**

(22) Filed: **Sep. 29, 2022**

(51) **LOC (14) Cl.** **13-03**

(52) **U.S. Cl.**
USPC **D13/139.1**

(58) **Field of Classification Search**
USPC D13/139.1-139.4, 110, 108; D14/434;
D6/519
CPC H01R 33/94; H01R 31/06; H02J 7/0042
See application file for complete search history.

(56) **References Cited**

U.S. PATENT DOCUMENTS

- 6,379,182 B1 * 4/2002 Byrne H01R 13/74
439/574
- D589,450 S 3/2009 Lin et al.
- D813,818 S 3/2018 Ni et al.
- D840,347 S * 2/2019 Byrne D13/139.4
- D844,566 S 4/2019 Yu

- D856,284 S * 8/2019 Byrne D13/139.4
- D874,404 S * 2/2020 Byrne D13/139.4
- D886,827 S * 6/2020 Zhang D14/434
- D920,232 S * 5/2021 Lewis D6/519
- D928,093 S * 8/2021 Byrne D13/139.4
- D953,983 S * 6/2022 Liao D13/110
- D954,653 S * 6/2022 Byrne D13/139.4
- D967,760 S * 10/2022 Yu D13/108
- 2018/0358765 A1 * 12/2018 Byrne A47B 21/06

* cited by examiner

Primary Examiner — Rhea Shields

(74) *Attorney, Agent, or Firm* — Rमित Ranjit Kanakia

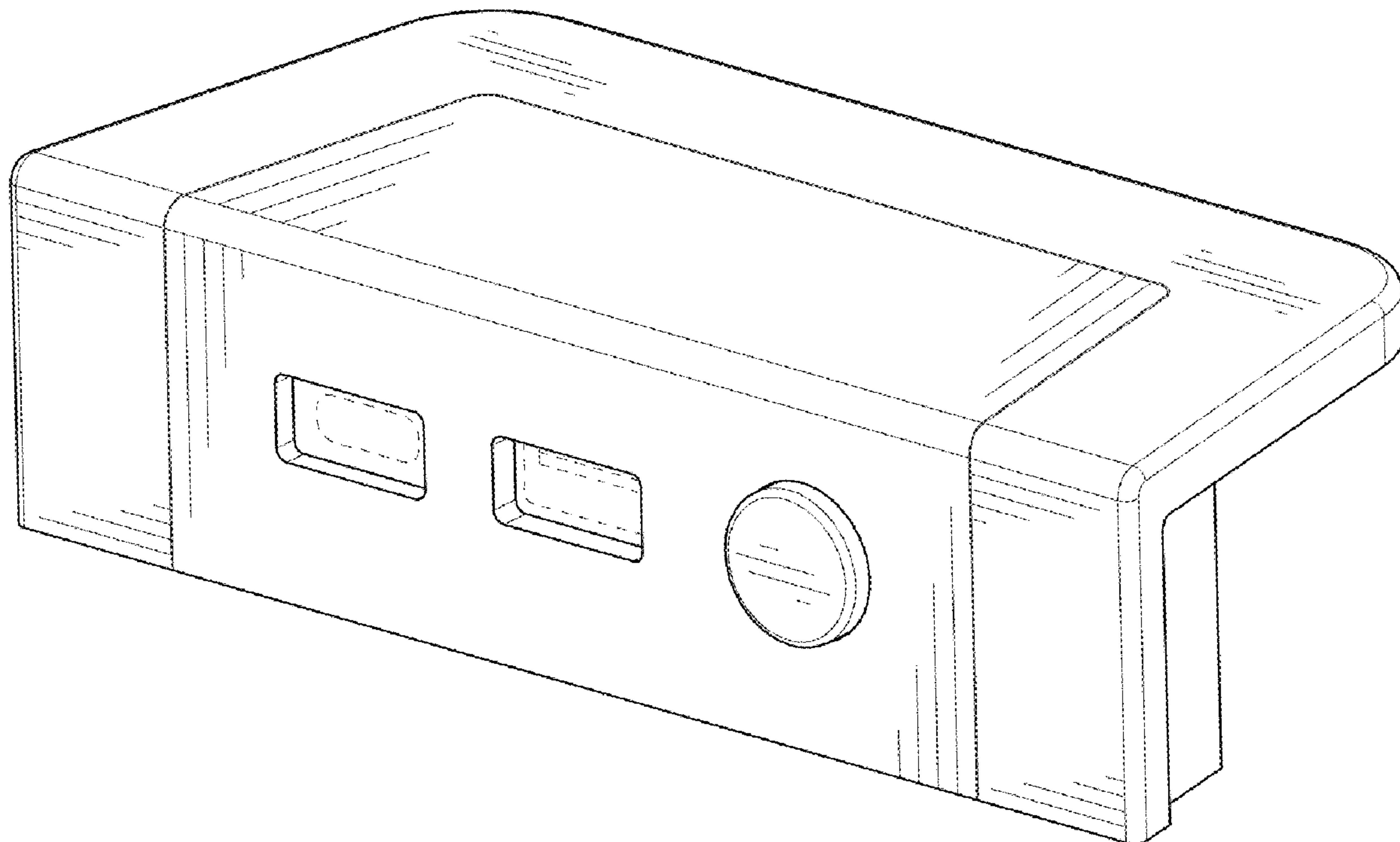
(57) **CLAIM**

The ornamental design for a USB charging socket, as shown and described.

DESCRIPTION

FIG. 1 is a first perspective view of a USB charging socket showing our new design;
 FIG. 2 is a second perspective view thereof;
 FIG. 3 is a front view thereof;
 FIG. 4 is a back view thereof;
 FIG. 5 is a left side view thereof;
 FIG. 6 is a right side view thereof;
 FIG. 7 is a top view thereof; and,
 FIG. 8 is a bottom view thereof.
 The broken lines shown in the drawings depict portions of the USB charging socket that form no part of the claimed design.

1 Claim, 8 Drawing Sheets



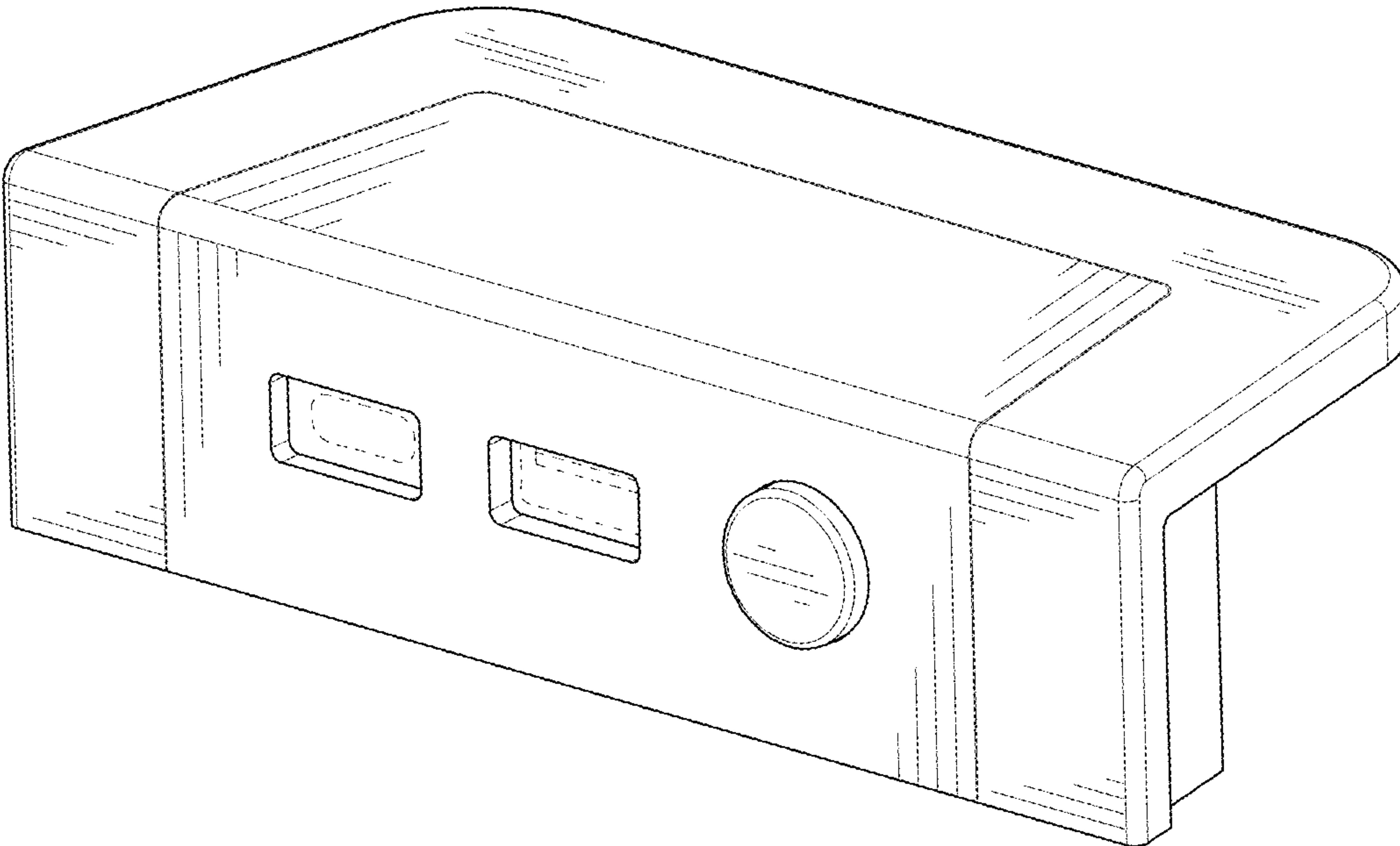


FIG. 1

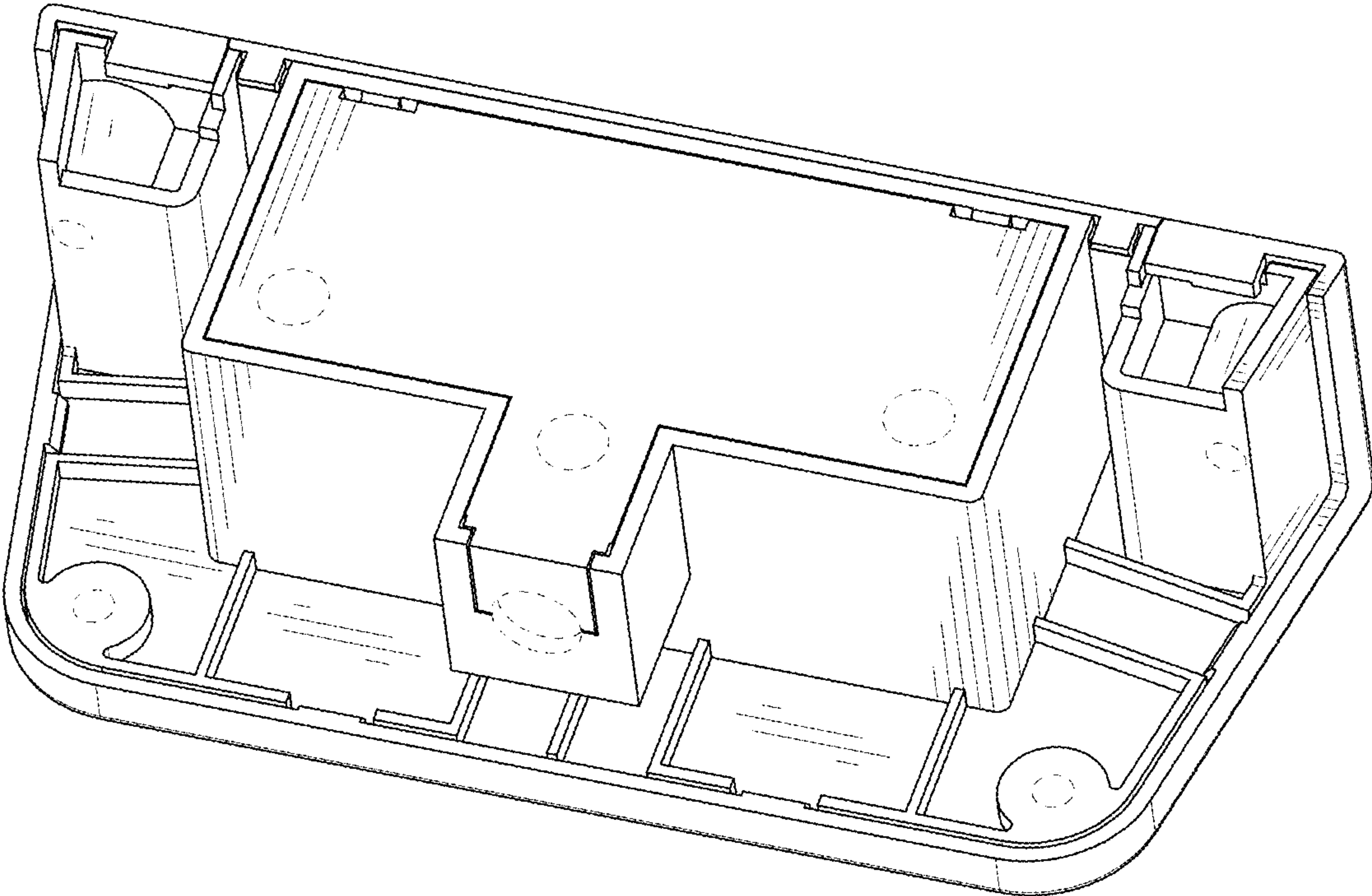


FIG. 2

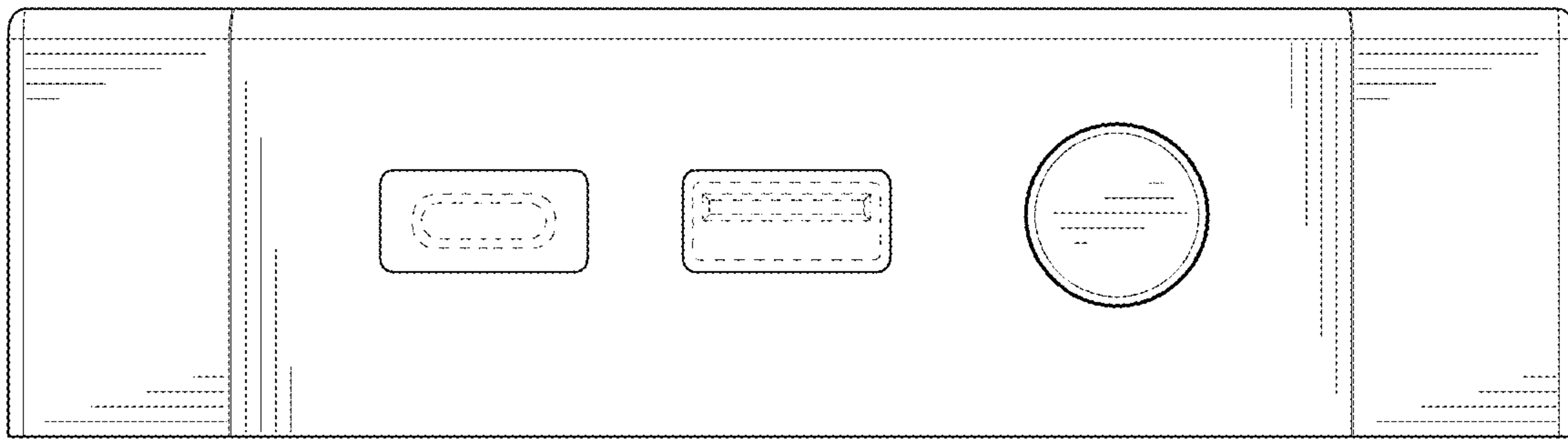


FIG. 3

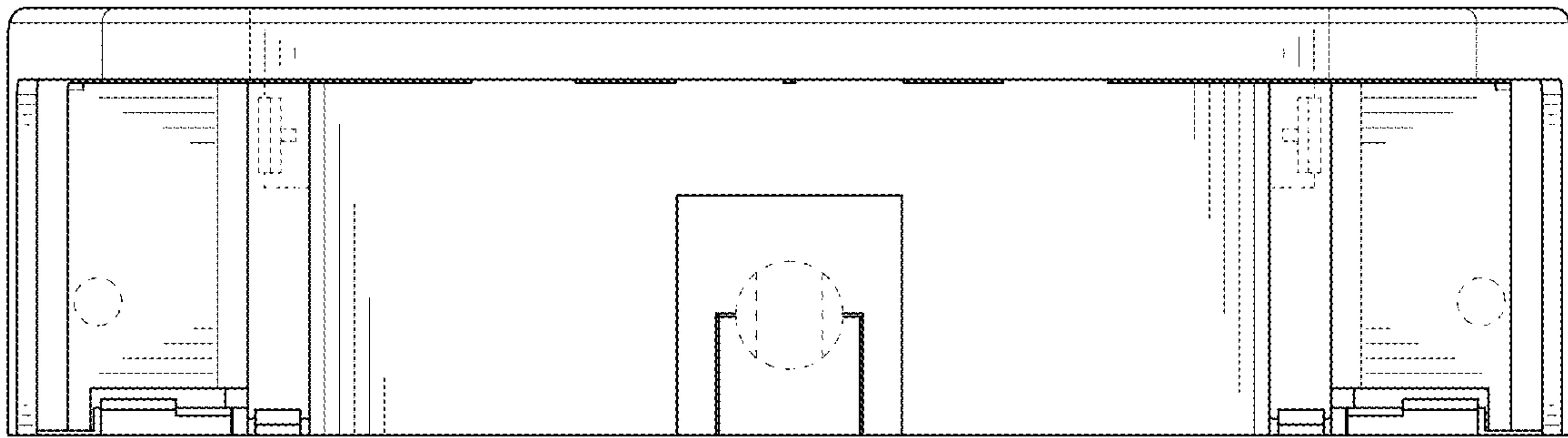


FIG. 4

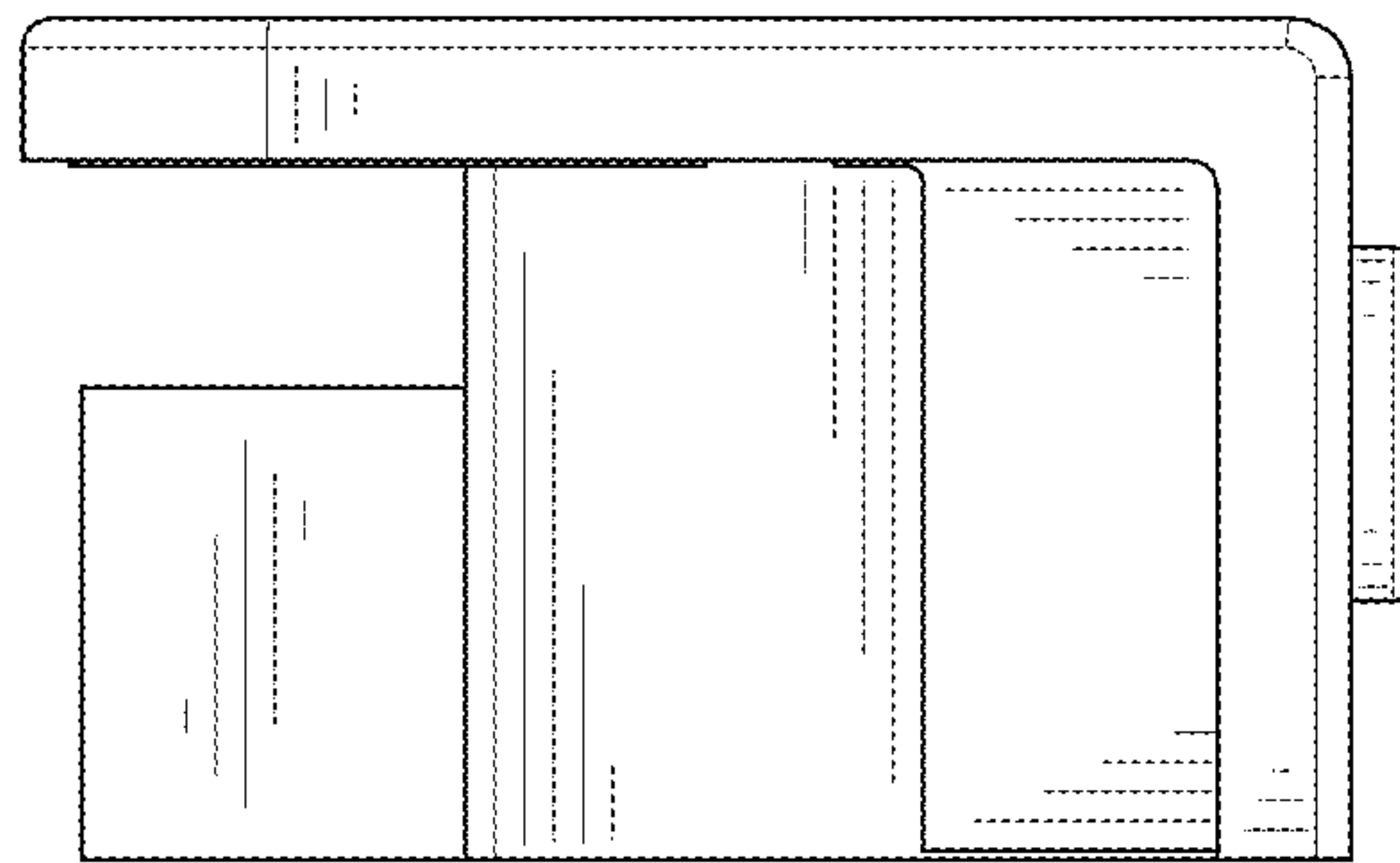


FIG. 5

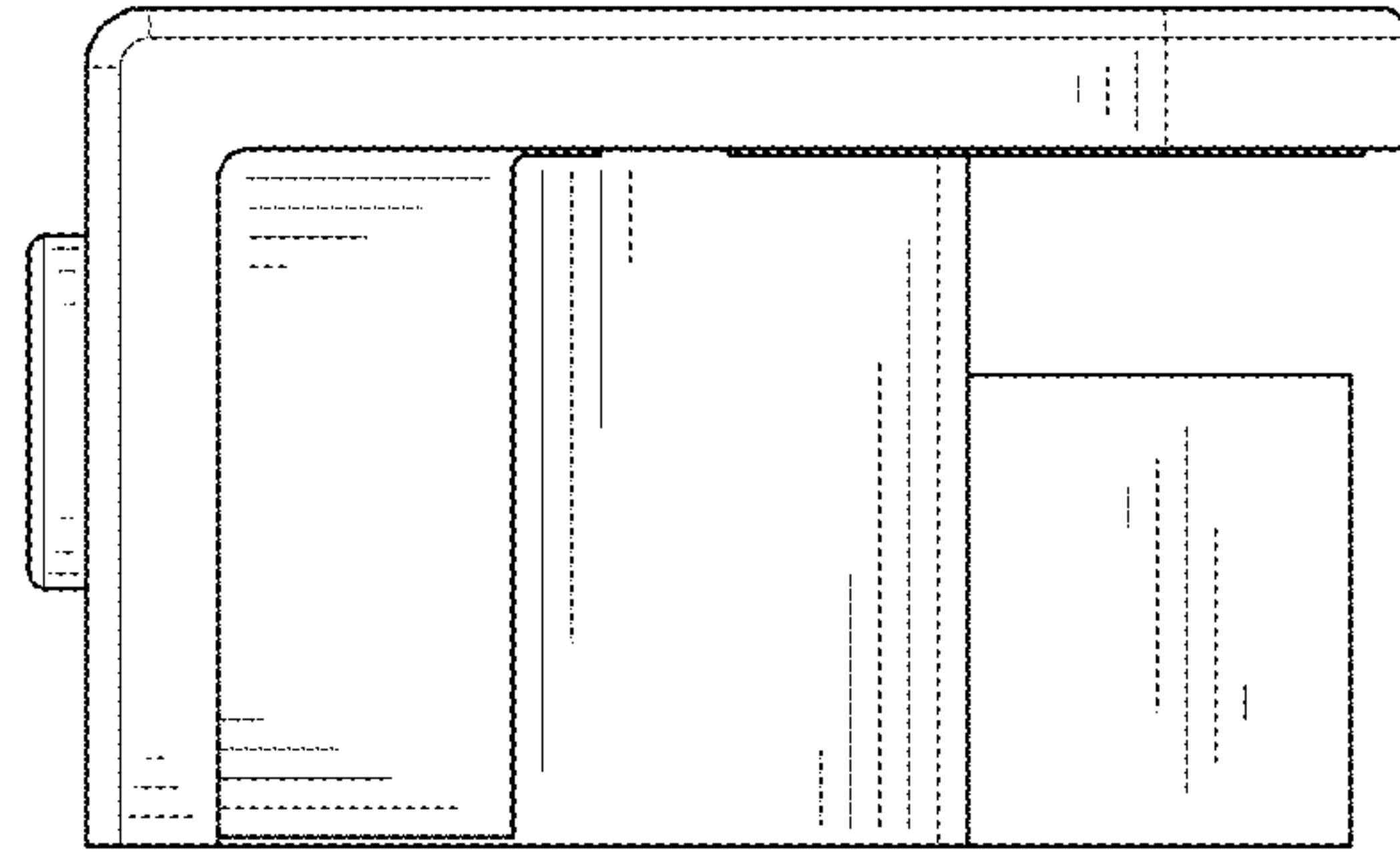


FIG. 6

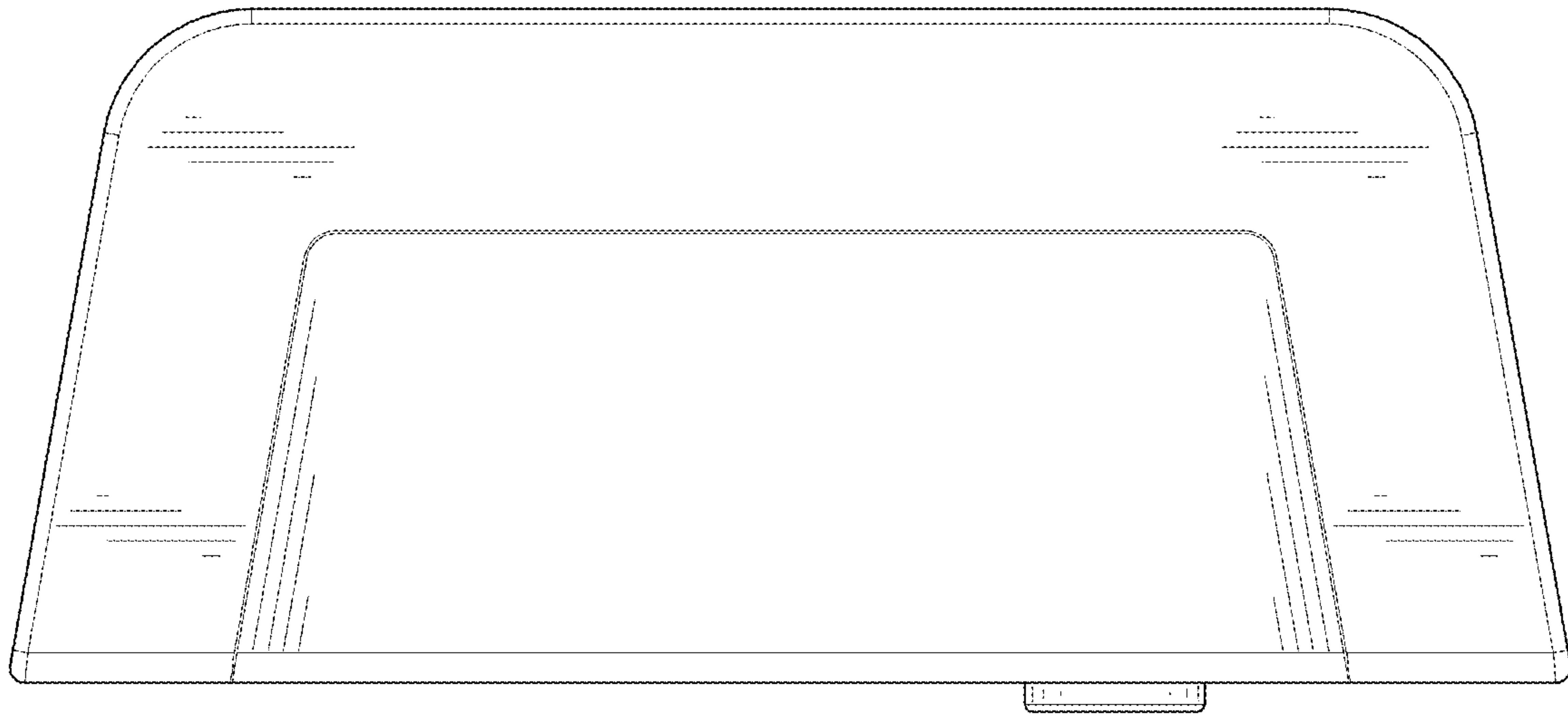


FIG. 7

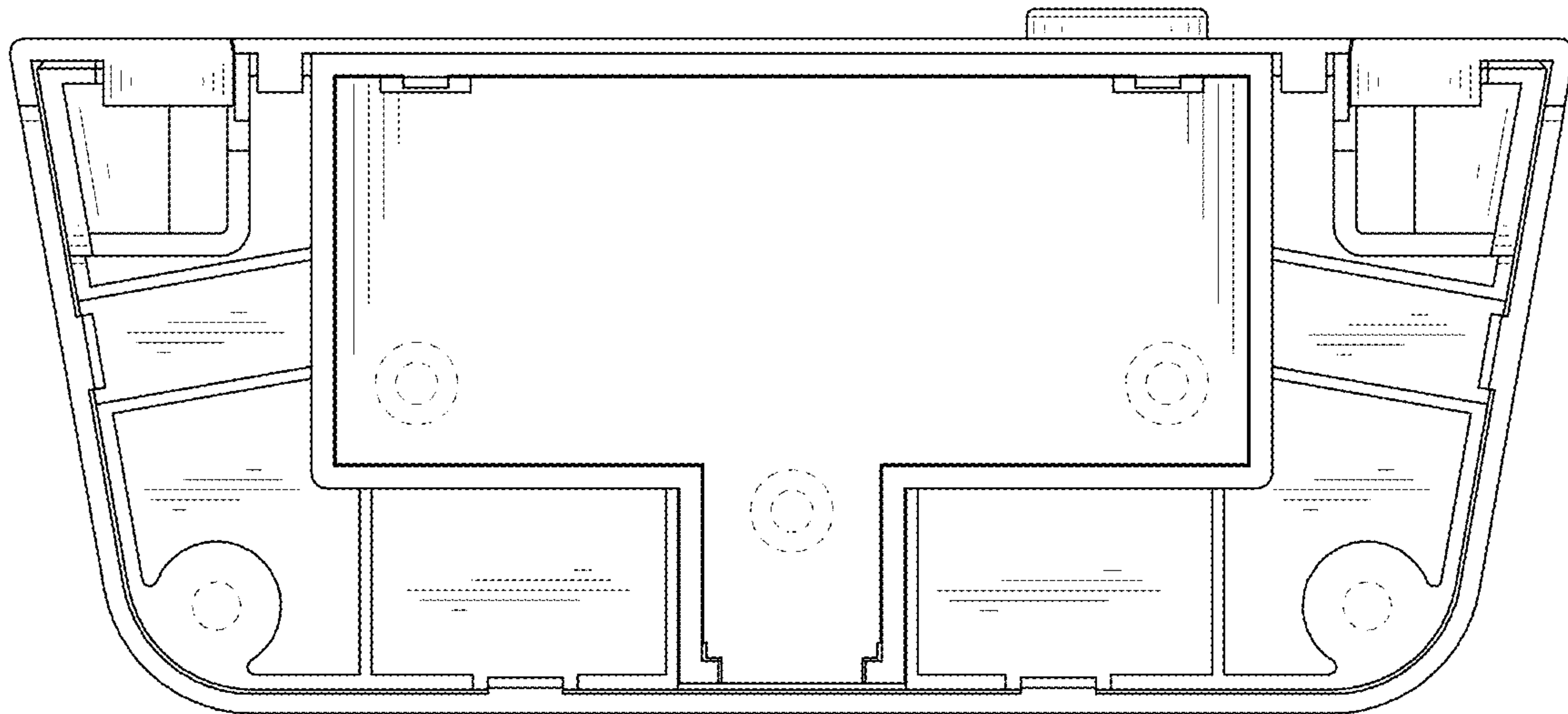


FIG. 8

UNITED STATES PATENT AND TRADEMARK OFFICE
CERTIFICATE OF CORRECTION

PATENT NO. : D977,432 S
APPLICATION NO. : 29/854915
DATED : February 7, 2023
INVENTOR(S) : Klaus Bellingroth, Peng Sun and Peng Liu

Page 1 of 1

It is certified that error appears in the above-identified patent and that said Letters Patent is hereby corrected as shown below:

On the Title Page

Item (71) The name of the applicant should be corrected as:

Tiakang Technology Co., Ltd.

The address of the applicant should be corrected as:

No.465, New Nanyang Road, Wangjiangjing Town, Xiuzhou District, Jiaxing City, Zhejiang
Province, China

Signed and Sealed this
Twenty-fifth Day of July, 2023
Katherine Kelly Vidal

Katherine Kelly Vidal
Director of the United States Patent and Trademark Office