



US00D977430S

(12) **United States Design Patent** (10) **Patent No.:** **US D977,430 S**
Zhou (45) **Date of Patent:** **** Feb. 7, 2023**

(54) **SOCKET**

(71) Applicant: **Xiaoqin Zhou**, Jurong (CN)

(72) Inventor: **Xiaoqin Zhou**, Jurong (CN)

(**) Term: **15 Years**

(21) Appl. No.: **29/799,736**

(22) Filed: **Jul. 16, 2021**

Related U.S. Application Data

(63) Continuation-in-part of application No. 29/798,250, filed on Jul. 7, 2021, now Pat. No. Des. 961,521.

(51) **LOC (14) Cl.** **13-03**

(52) **U.S. Cl.**
USPC **D13/137.2**

(58) **Field of Classification Search**
USPC D13/123, 133, 147, 137.1–137.4,
D13/139.1–139.8, 173, 184, 199
CPC H01R 25/006; H01R 31/02; H01R 31/065;
H01R 24/68; H01R 13/5213; H02G 3/14
See application file for complete search history.

(56) **References Cited**

U.S. PATENT DOCUMENTS

- D195,955 S * 8/1963 Carlson D13/137.1
- 3,997,225 A * 12/1976 Horwinski H01R 13/648
439/652
- 4,897,049 A * 1/1990 Miller H01R 25/006
439/652
- D312,615 S * 12/1990 Schwartz D13/137.2
- 5,094,630 A * 3/1992 Jammet H01R 31/02
439/652
- D361,315 S * 8/1995 Wedell D13/160
- D364,379 S * 11/1995 Pogue D13/160
- D367,038 S * 2/1996 Fladung D13/137.2

(Continued)

OTHER PUBLICATIONS

Multi Plug Outlet, Surge Protector, Anhaorui Outlet Splitter, dated Oct. 8, 2020, [online], [site visited Mar. 30, 2022. Available from Internet, URL: <https://www.amazon.com/dp/B08KVV473Z/> (Year: 2020).*

(Continued)

Primary Examiner — Shawn T Gingrich

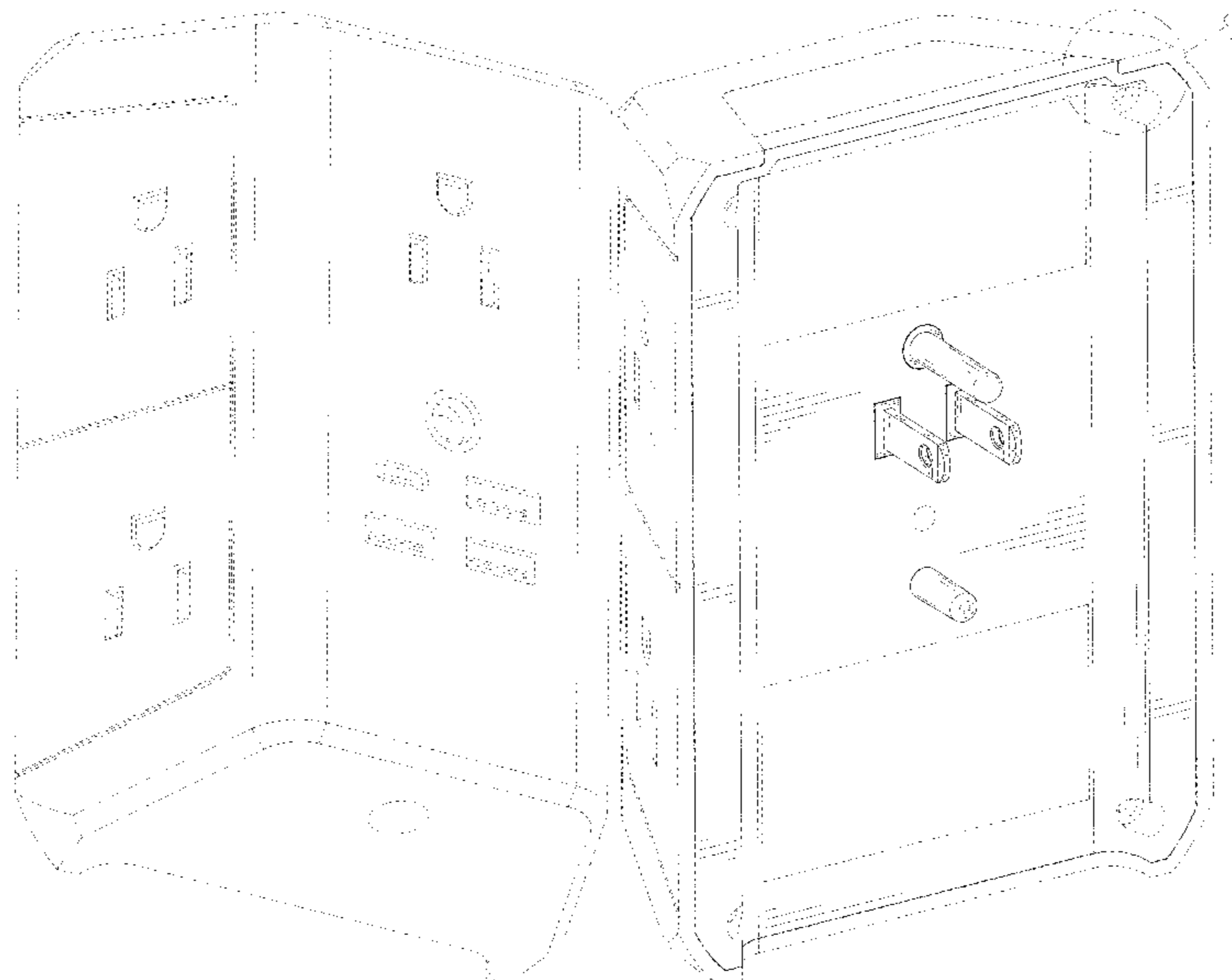
(57) **CLAIM**

The ornamental design for a socket, as shown and described.

DESCRIPTION

FIG. 1 is a perspective view of a first Group of a socket showing my new design;
 FIG. 2 is another perspective view thereof;
 FIG. 3 is a front elevational view thereof;
 FIG. 4 is a rear elevational view thereof;
 FIG. 5 is a left side elevational view thereof;
 FIG. 6 is a right side elevational view thereof;
 FIG. 7 is a top plan view thereof;
 FIG. 8 is a bottom plan view thereof;
 FIG. 9 is an enlarged view of portion 9 shown in FIG. 2;
 FIG. 10 is a perspective view of a second Group of the socket;
 FIG. 11 is another perspective view thereof;
 FIG. 12 is a front elevational view thereof;
 FIG. 13 is a rear elevational view thereof;
 FIG. 14 is a left side elevational view thereof;
 FIG. 15 is a right side elevational view thereof;
 FIG. 16 is a top plan view thereof;
 FIG. 17 is a bottom plan view thereof; and,
 FIG. 18 is an enlarged view of portion 18 shown in FIG. 1.
 The dash-dash broken lines in the drawings depict portions of the socket that form no part of the claimed design. The dot-dash broken lines represent boundaries of the enlarged portions and form no part of the claimed design.

1 Claim, 18 Drawing Sheets



(56)

References Cited

U.S. PATENT DOCUMENTS

D379,796 S * 6/1997 Bagga D13/139.4
 D443,589 S * 6/2001 Tong D13/137.2
 D582,346 S * 12/2008 Zhou D13/137.2
 7,482,537 B1 * 1/2009 Shotey H02G 3/14
 33/528
 D662,056 S 6/2012 Lee et al.
 8,834,210 B2 * 9/2014 Brausen H01R 13/7135
 439/718
 D727,853 S * 4/2015 Clayton D13/156
 D734,253 S * 7/2015 Tinaphong H01R 13/70
 D13/137.1
 D751,038 S * 3/2016 Lin D13/137.2
 D881,809 S * 4/2020 Lyu D13/137.2
 D881,821 S 4/2020 Lyu
 D895,554 S * 9/2020 Jianting D13/137.2
 D924,806 S * 7/2021 Li D13/137.2
 11,271,351 B1 * 3/2022 Chen H01R 31/02
 D947,775 S * 4/2022 Rajasekaran D13/137.2

D947,781 S * 4/2022 Wei D13/137.2
 D953,996 S * 6/2022 Zheng D13/137.2
 D955,995 S * 6/2022 Zheng D13/137.2
 D957,340 S * 7/2022 Mei D13/137.1
 D957,342 S * 7/2022 Zhou D13/137.2
 D959,380 S * 8/2022 Liu D13/137.2
 D964,938 S * 9/2022 Zhou D13/137.2
 D964,939 S * 9/2022 Chen D13/137.2
 D970,448 S * 11/2022 Zhou D13/137.2
 2004/0121648 A1 * 6/2004 Voros H01R 13/6215
 439/535

OTHER PUBLICATIONS

Powrui Surge Protector, USB Wall Charger with 2 USB Charging Ports, dated May 29, 2018, [online], [site visited Mar. 30, 2022]. Available from Internet, URL: <https://www.amazon.com/dp/B07DCRVBYX/> (Year: 2018).*

* cited by examiner

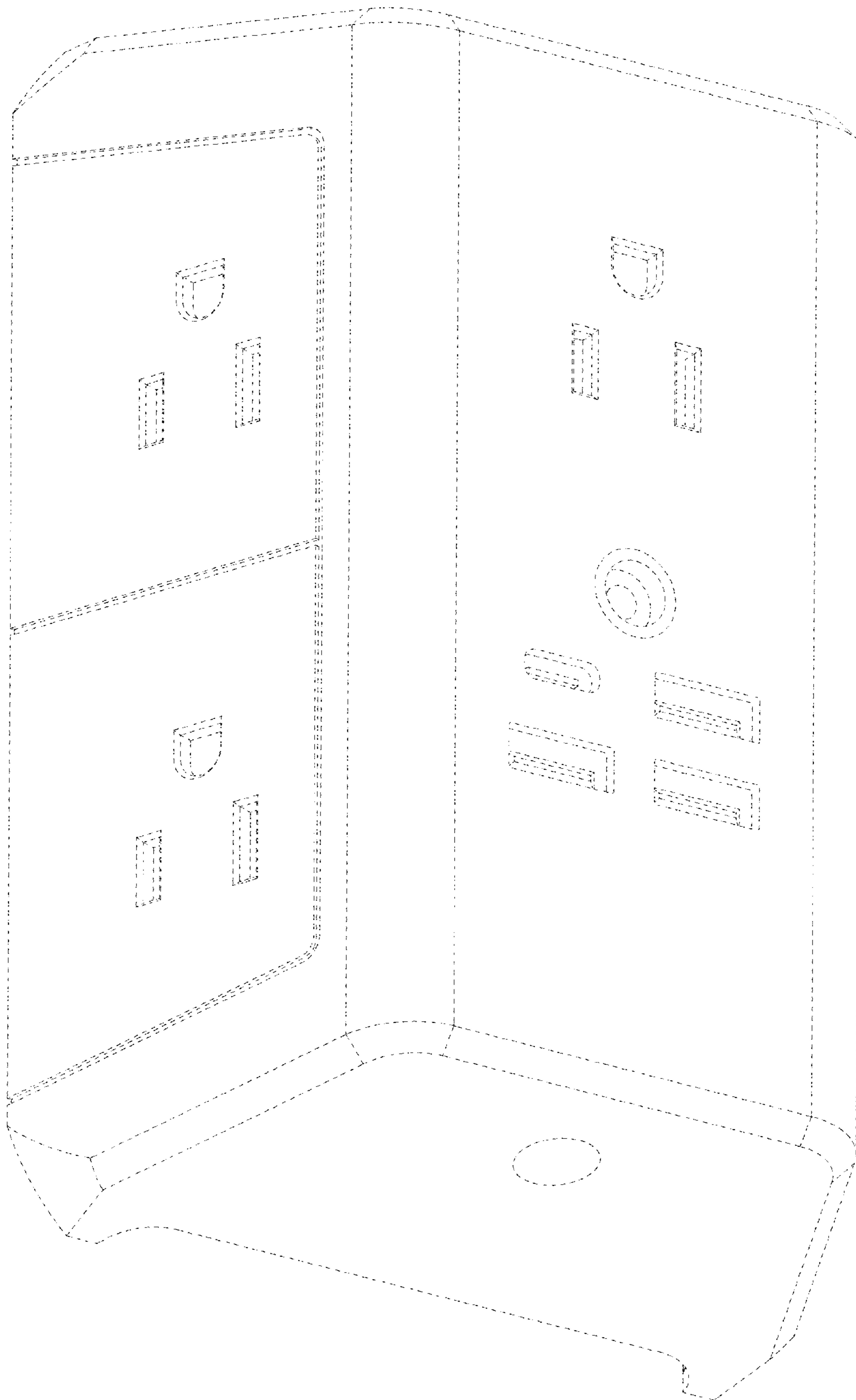


FIG. 1

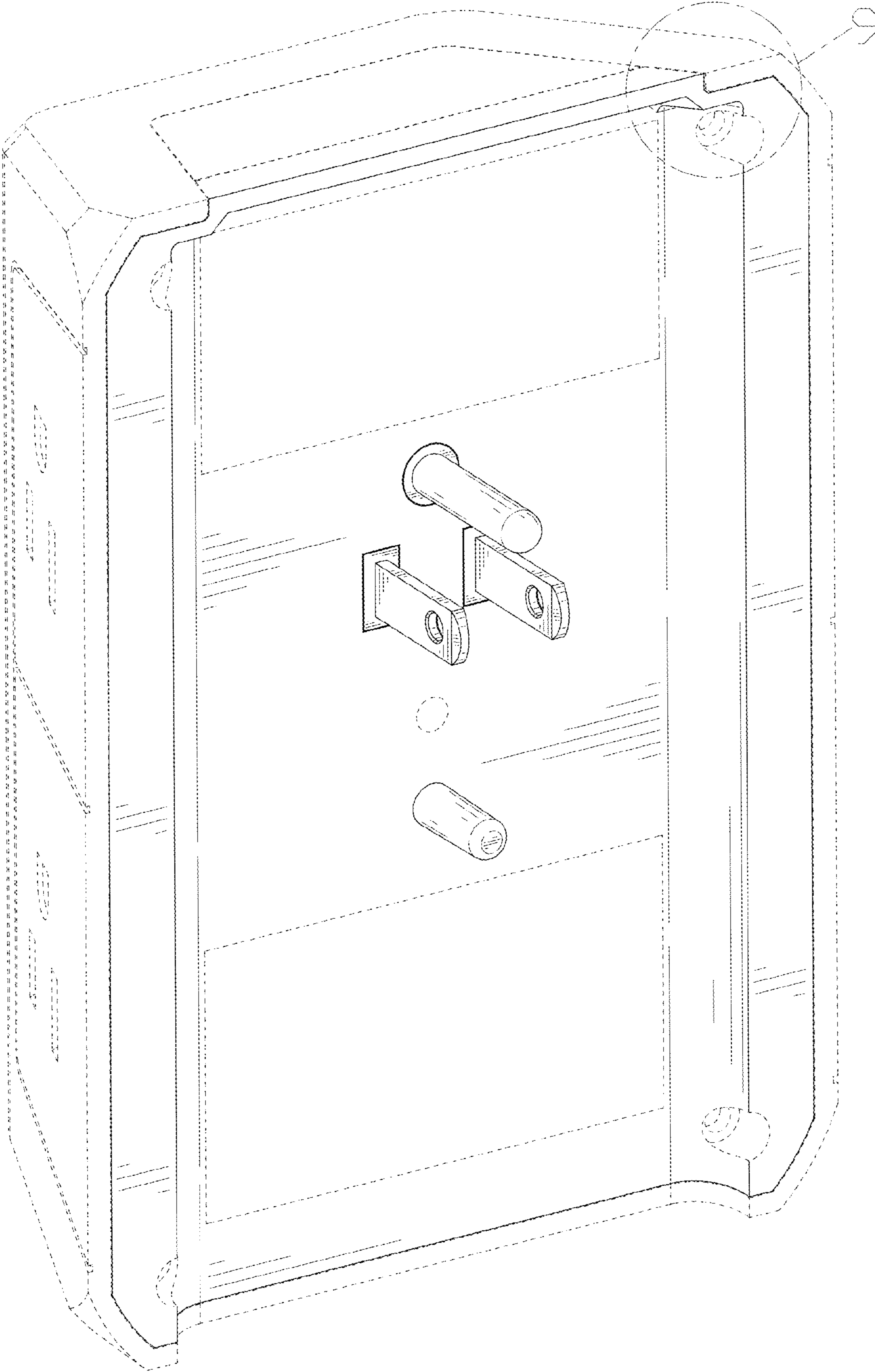


FIG. 2

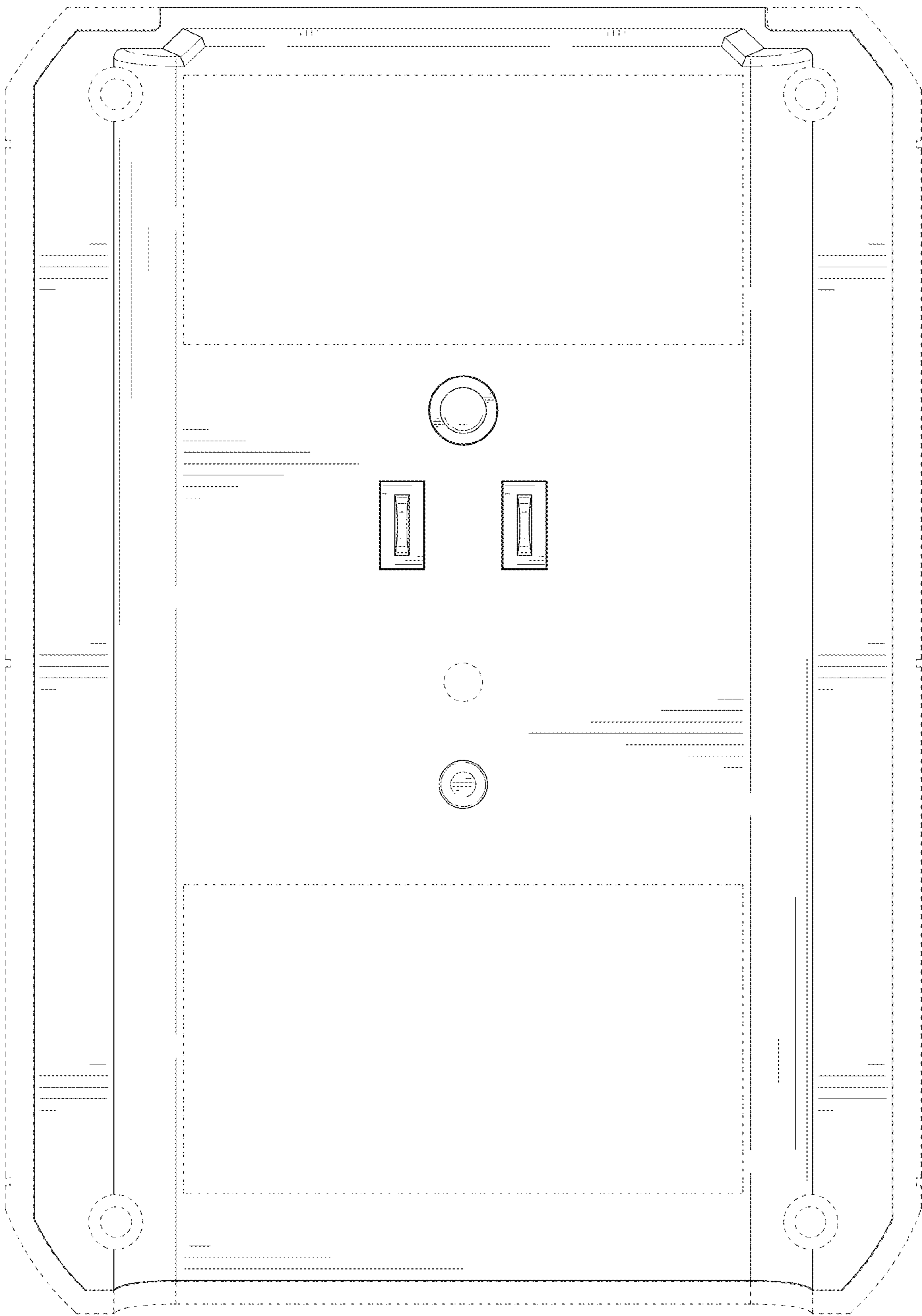


FIG. 3

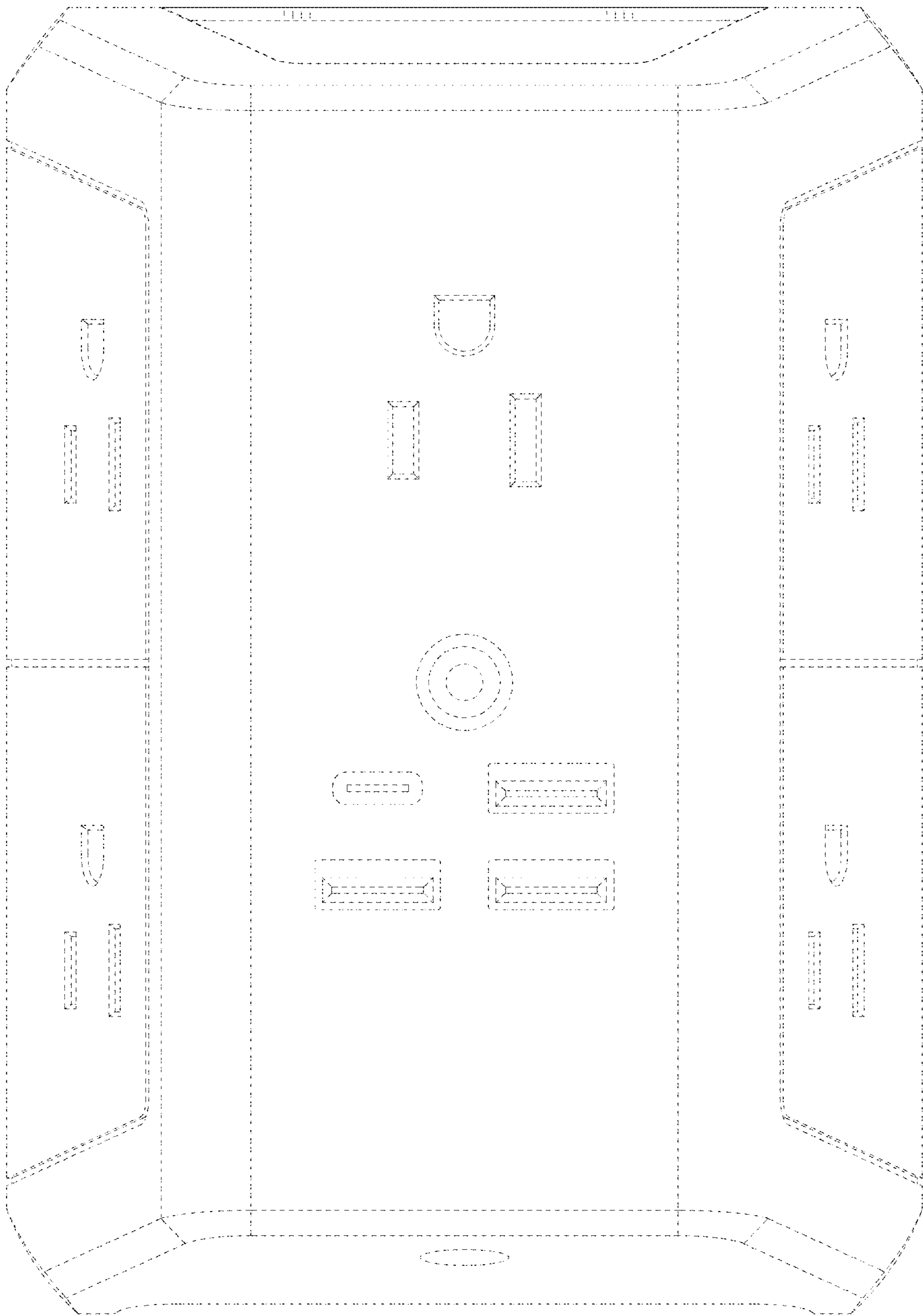


FIG. 4

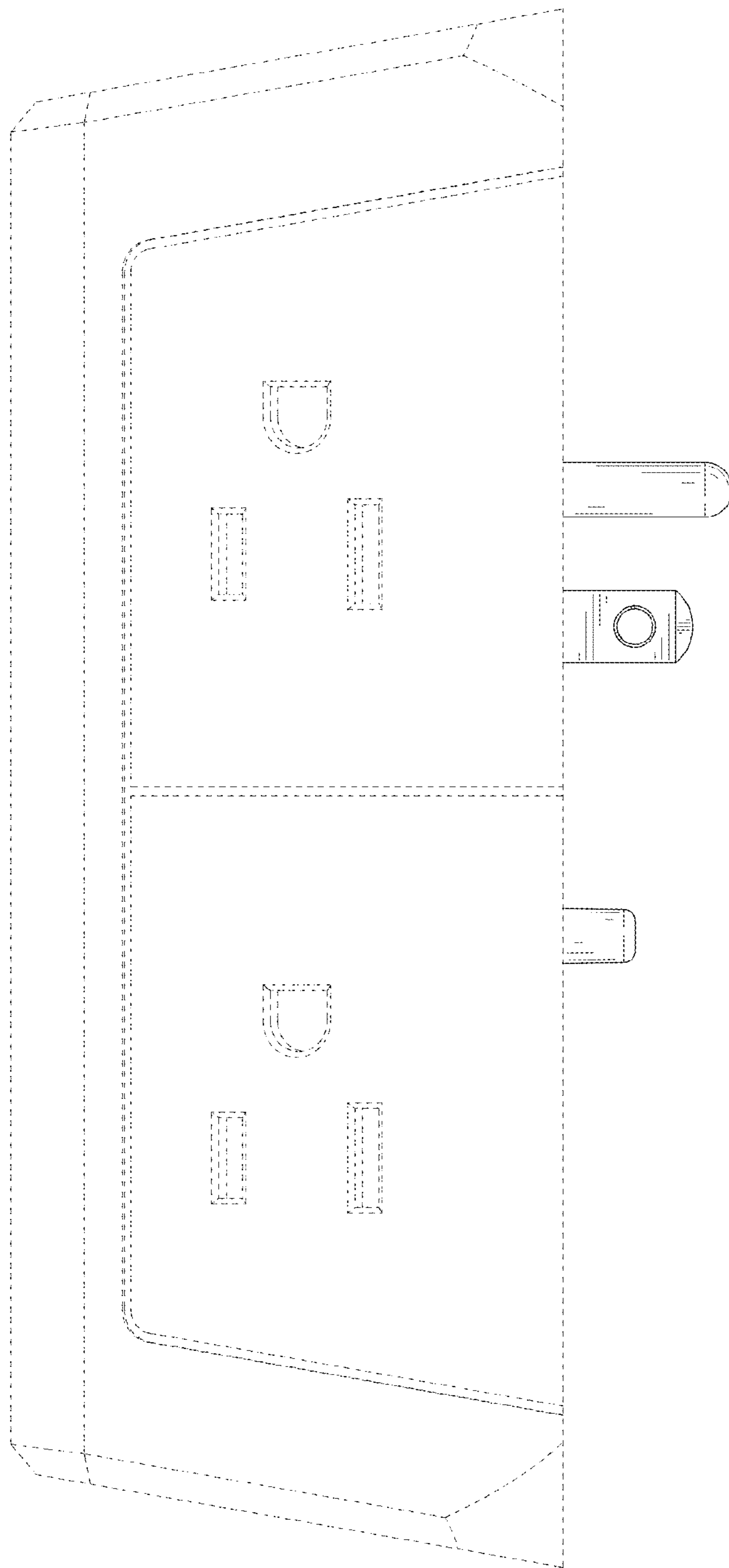


FIG. 5

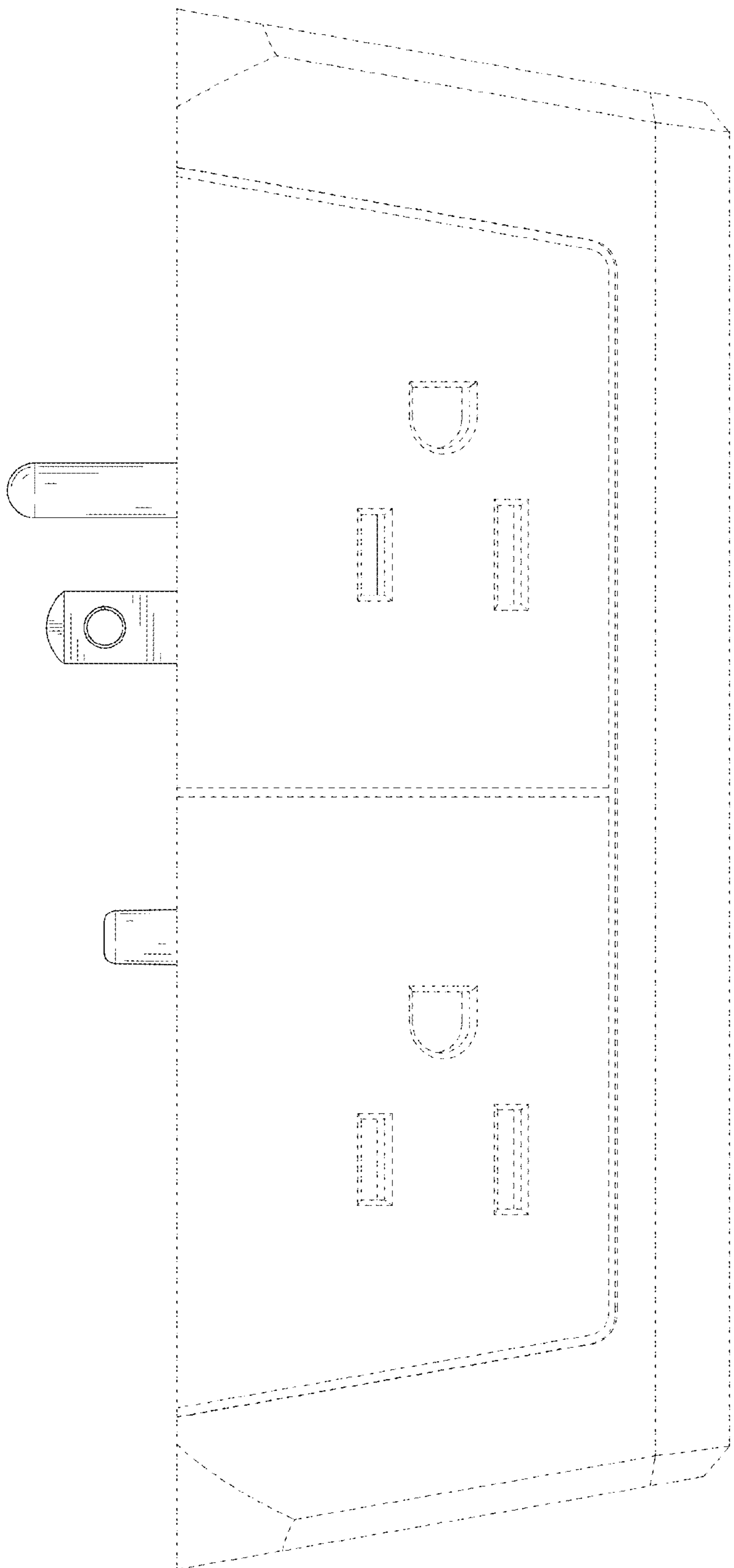


FIG. 6

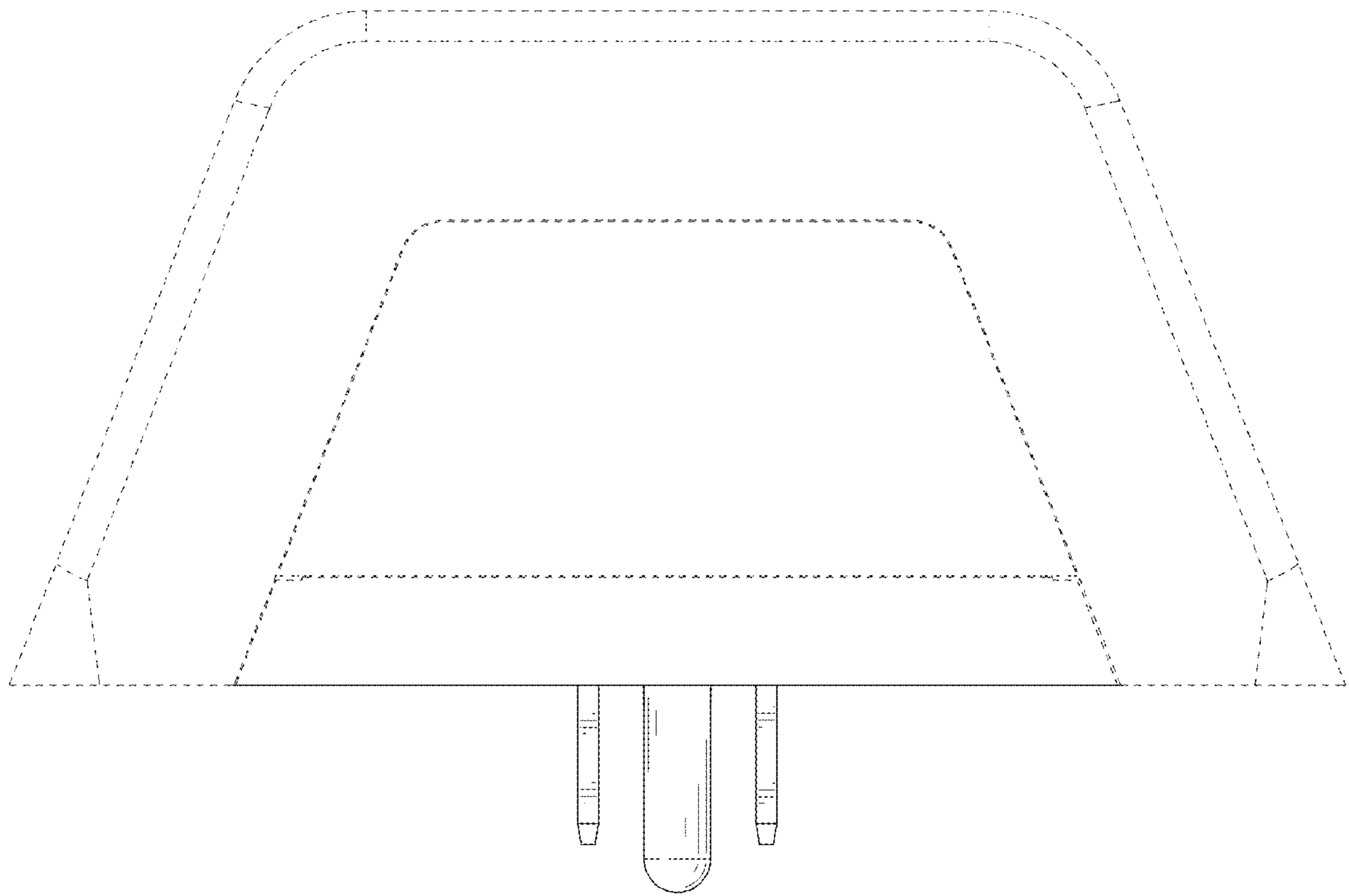


FIG. 7

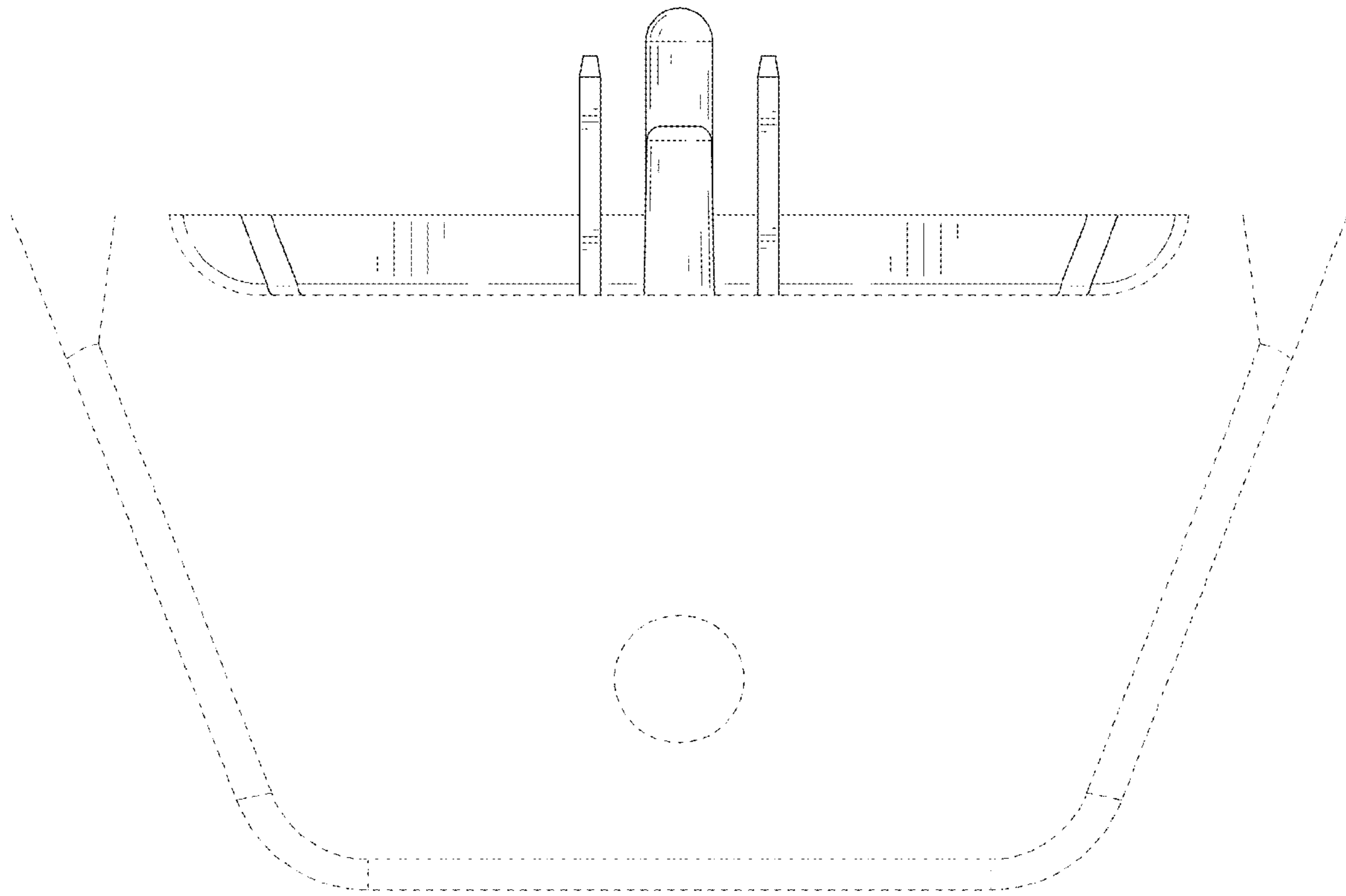


FIG. 8

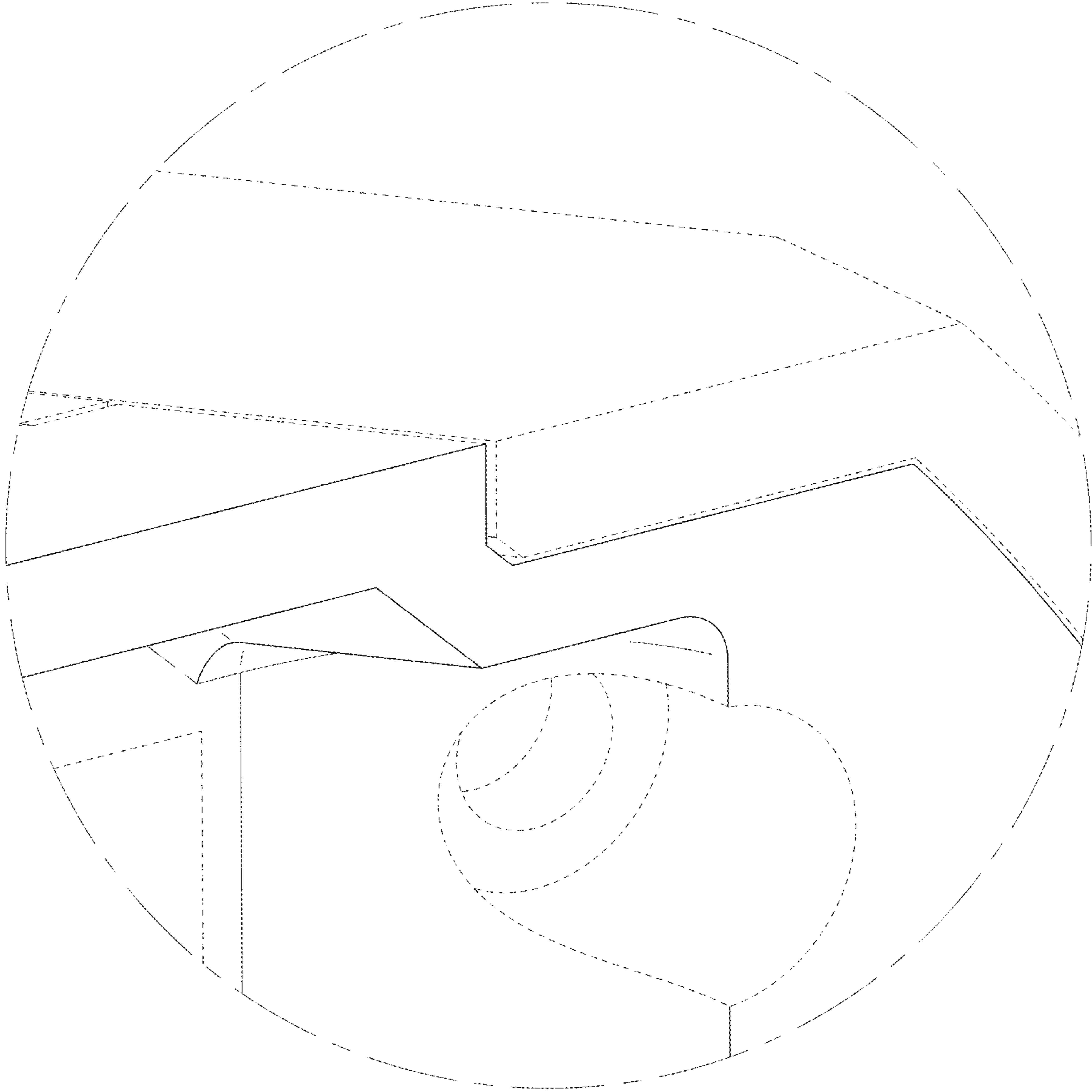


FIG. 9

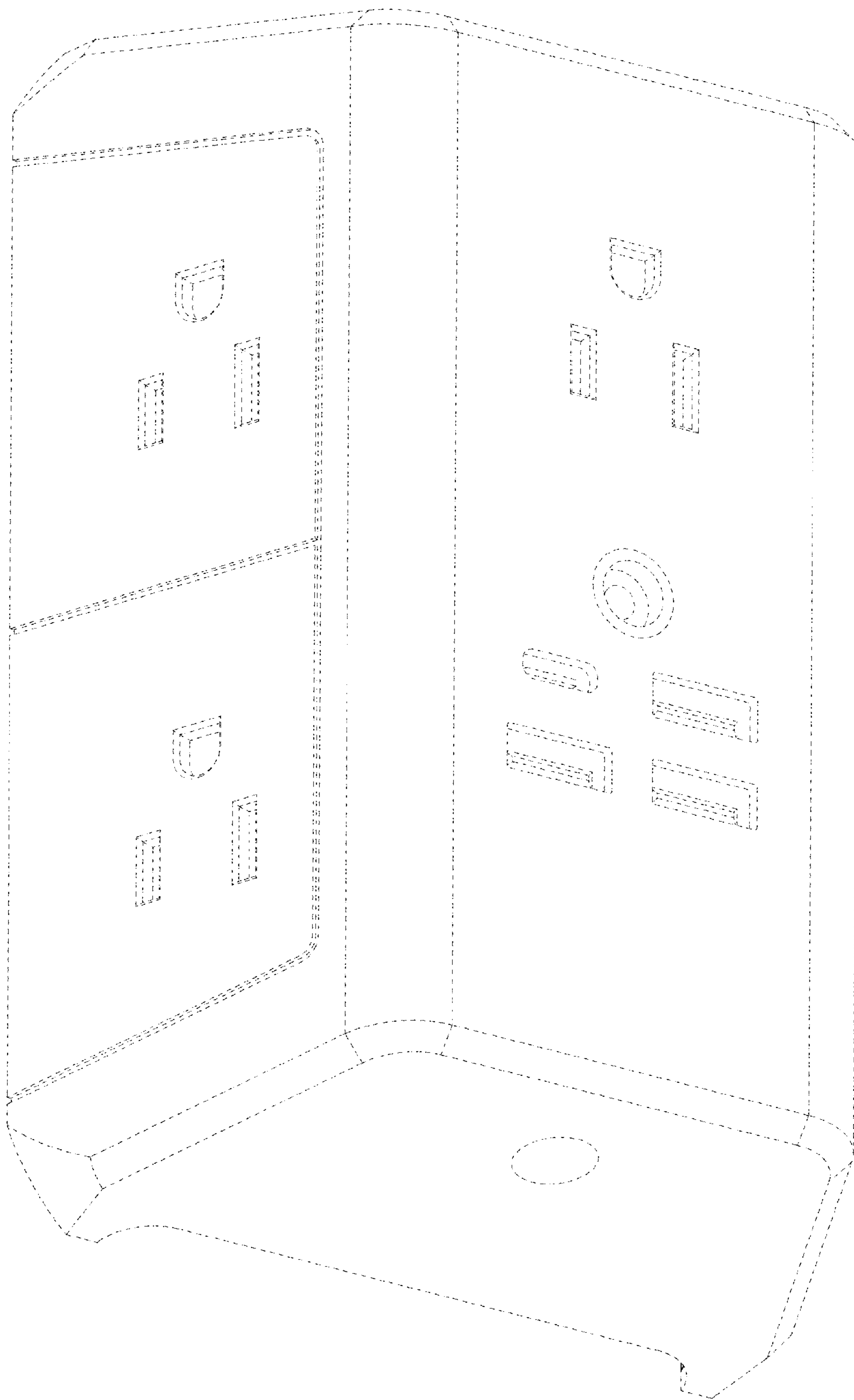


FIG. 10

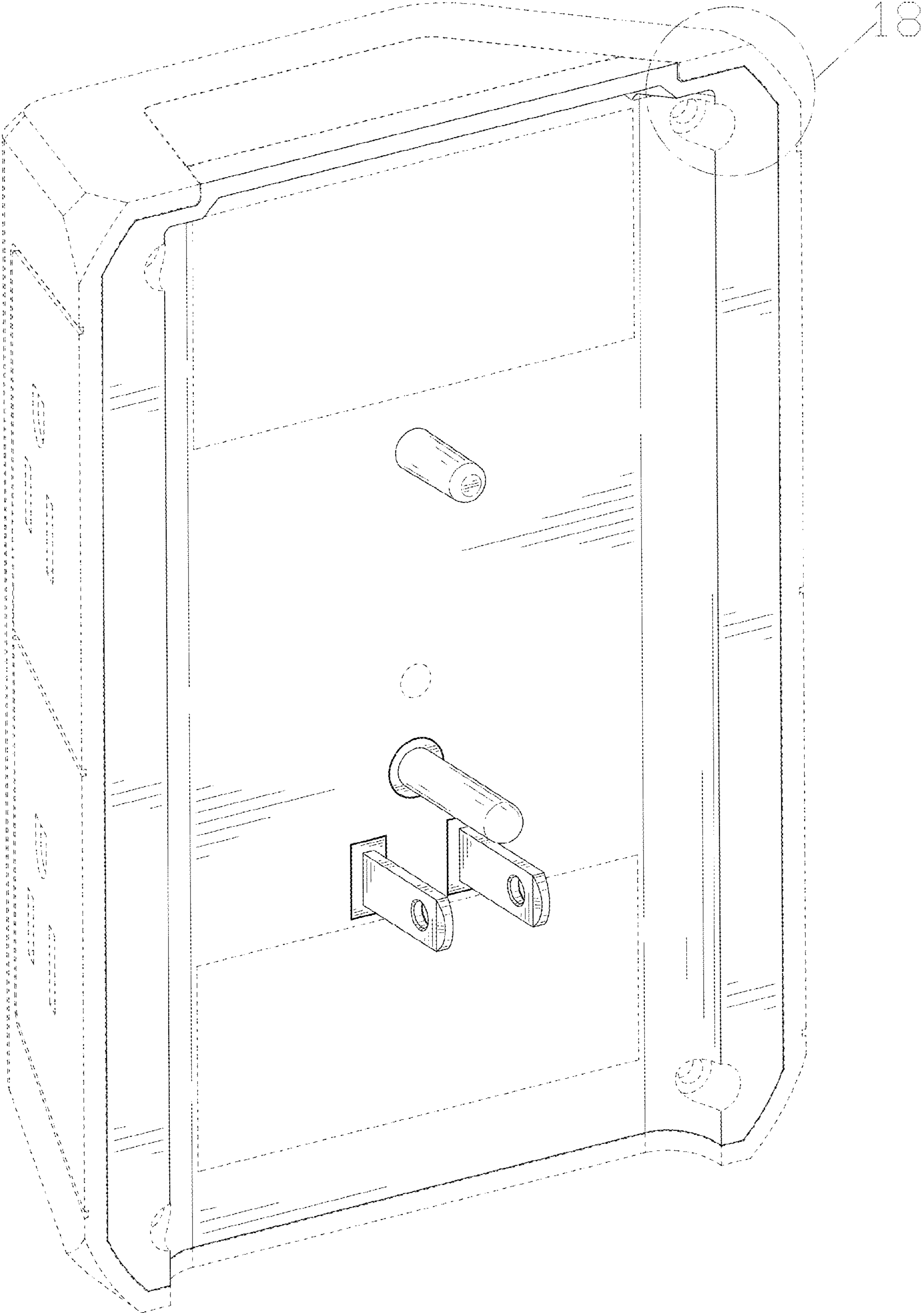


FIG. 11

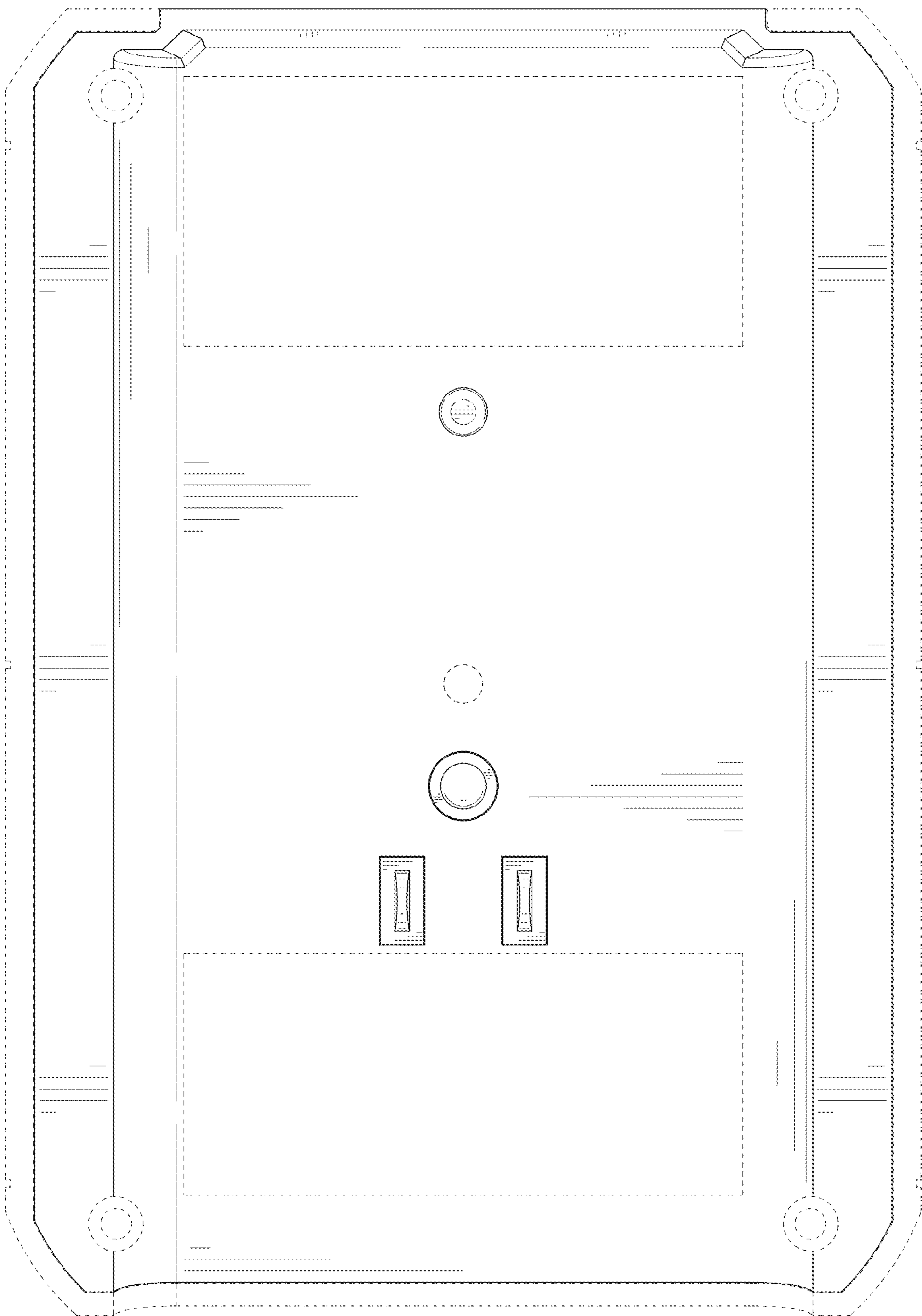


FIG. 12

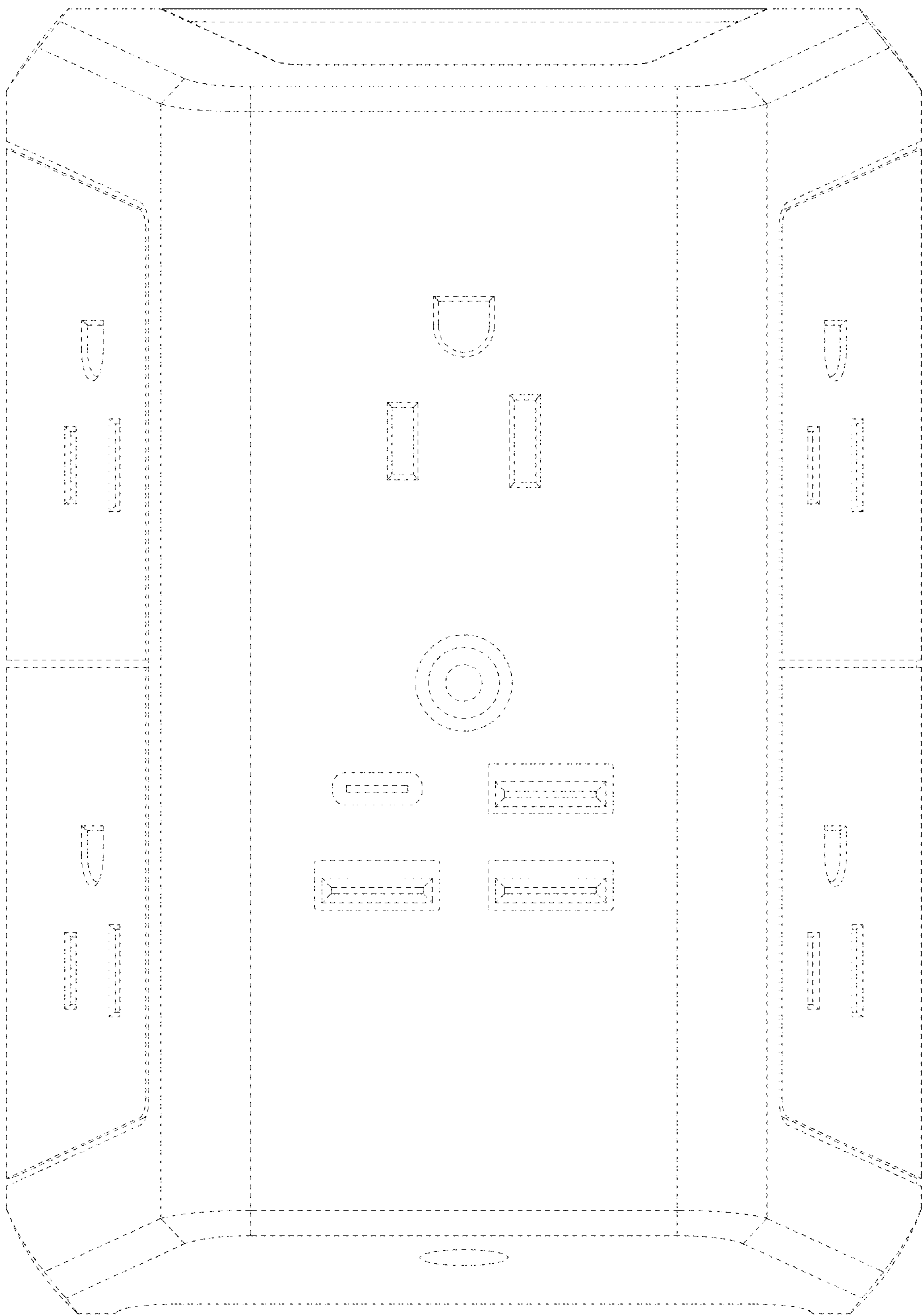


FIG. 13

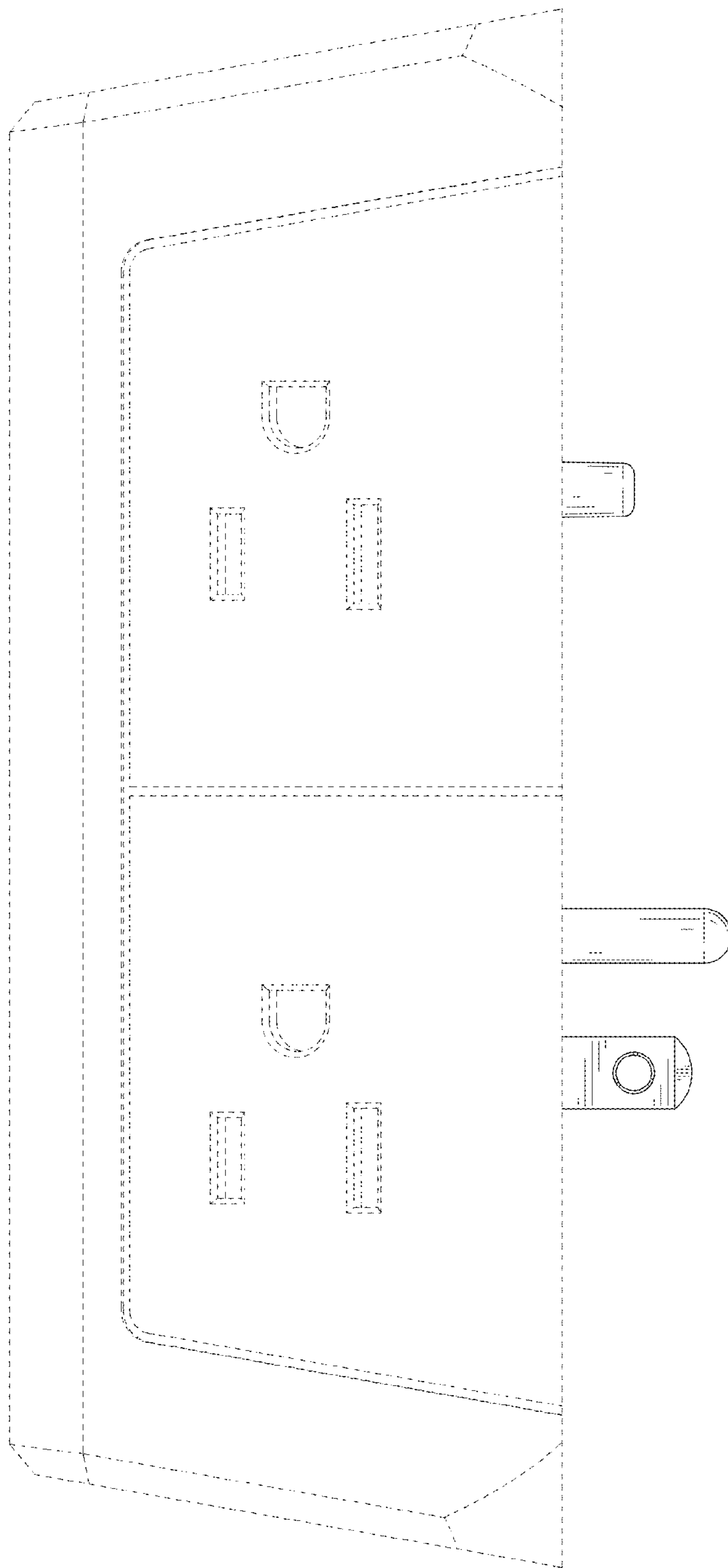


FIG. 14

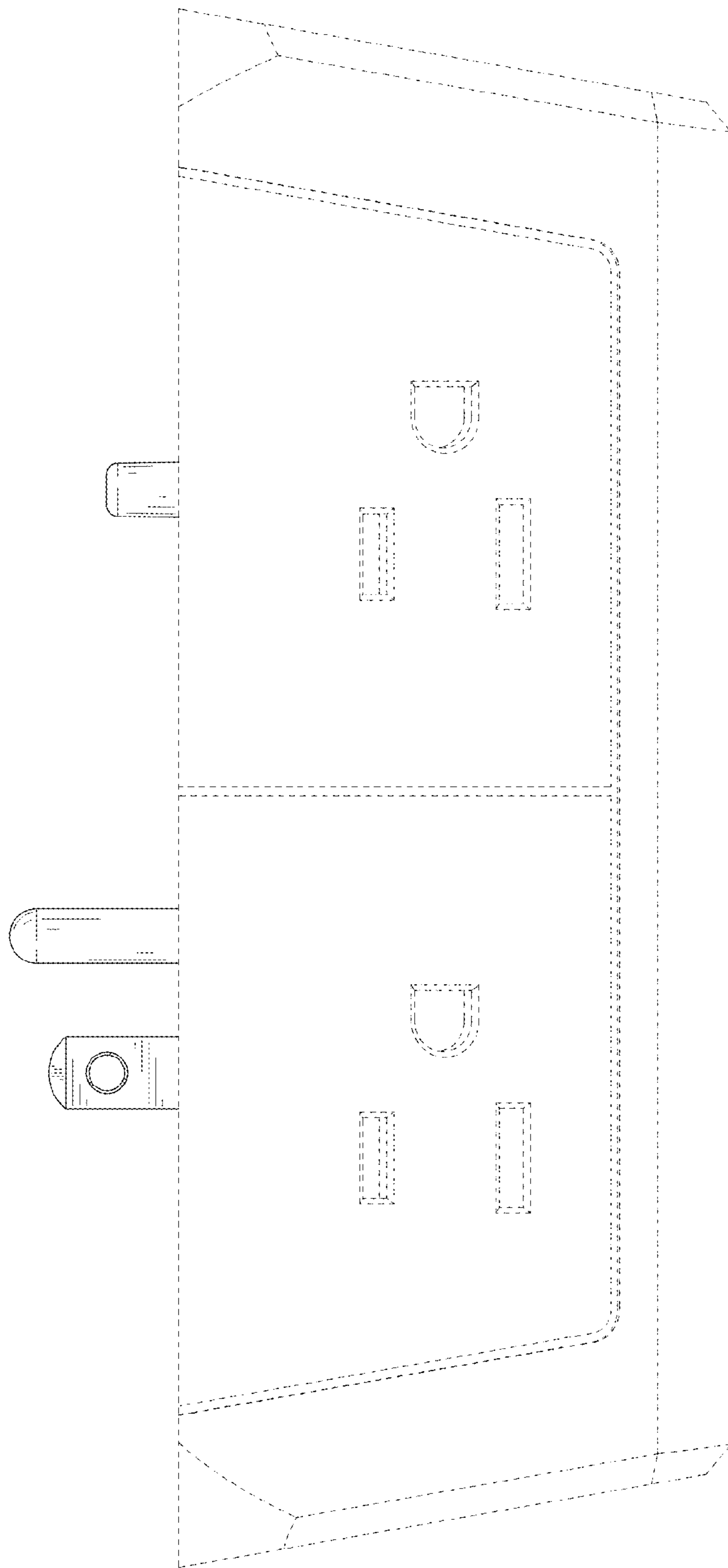


FIG. 15

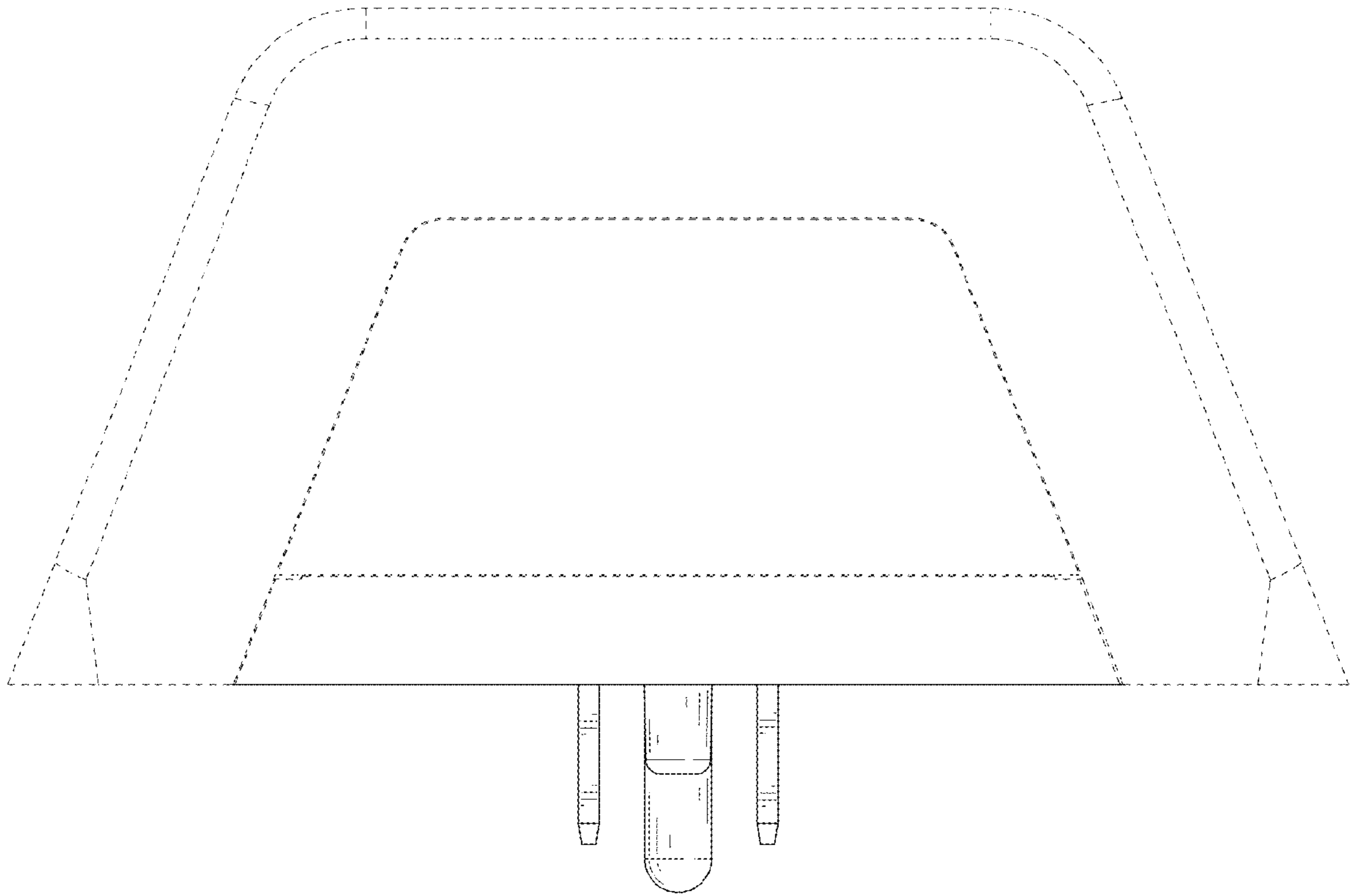


FIG. 16

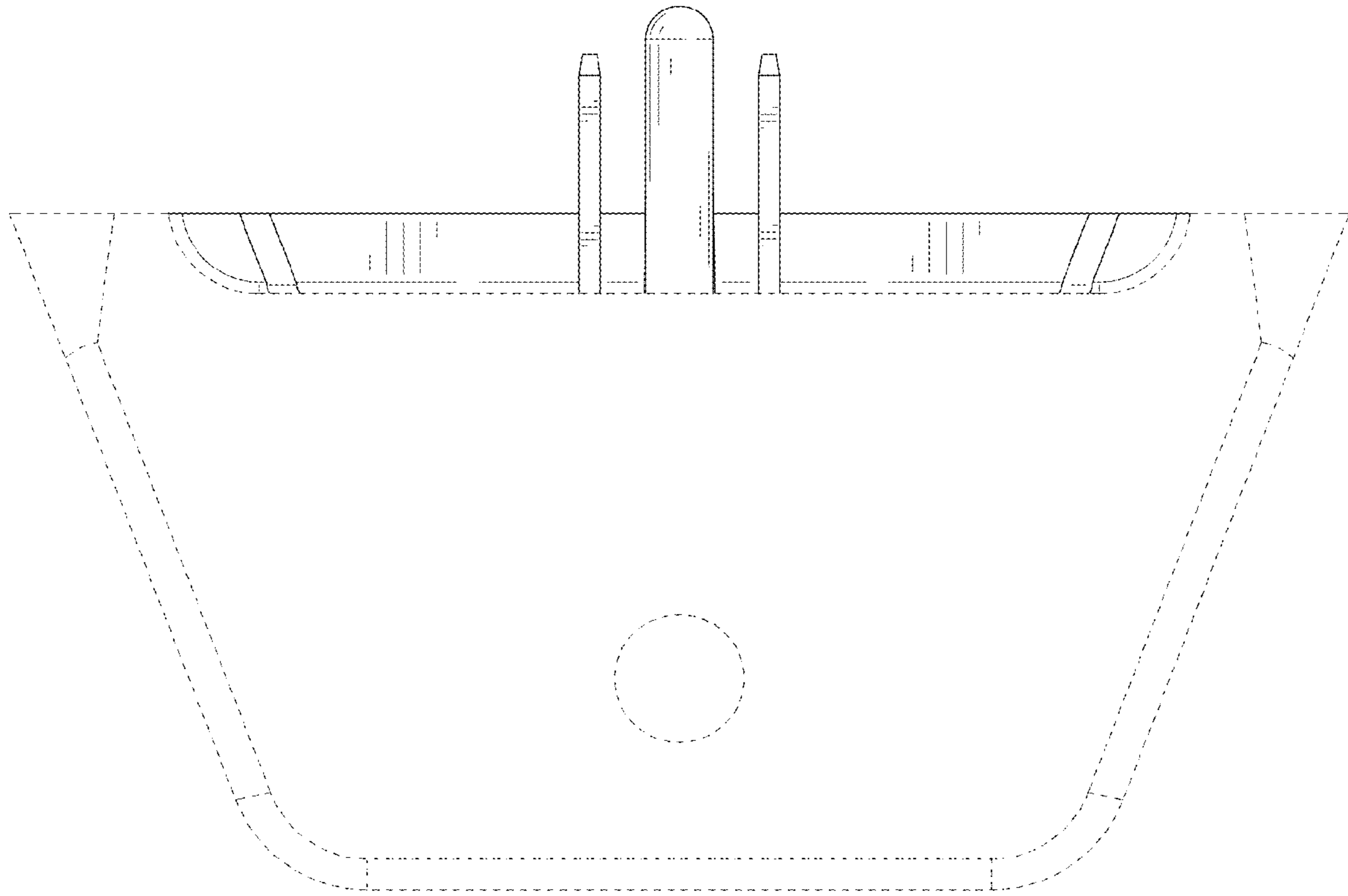


FIG. 17

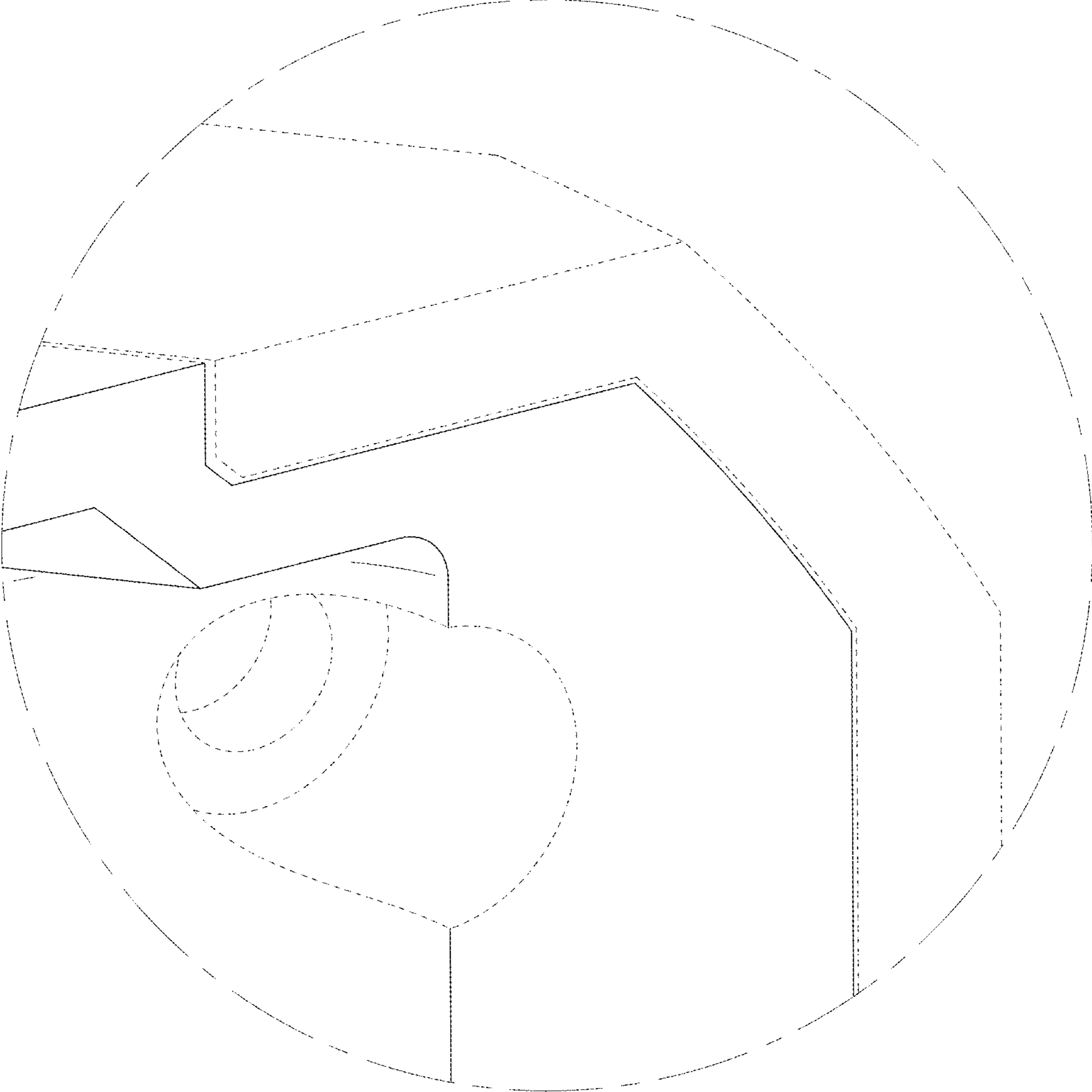


FIG. 18