



US00D977429S

(12) **United States Design Patent** (10) **Patent No.:** **US D977,429 S**  
**Langston et al.** (45) **Date of Patent:** **\*\* Feb. 7, 2023**

(54) **SURGE PROTECTOR**  
(71) Applicant: **Jasco Products Company LLC**  
(72) Inventors: **Corey Langston**, Oklahoma City, OK (US); **Jon Treat**, Oklahoma City, OK (US)  
(73) Assignee: **Jasco Products Company LLC**, Oklahoma City, OK (US)  
(\*\*) Term: **15 Years**  
(21) Appl. No.: **29/802,531**  
(22) Filed: **Aug. 5, 2021**  
(51) **LOC (14) Cl.** ..... **13-03**  
(52) **U.S. Cl.**  
USPC ..... **D13/137.1**  
(58) **Field of Classification Search**  
USPC ... D9/137.1-137.4, 139.1, 139.6, 139.8, 147  
CPC .. H01R 25/003; H01R 13/6666; H01R 25/00;  
H05B 47/155  
See application file for complete search history.

D549,655 S 8/2007 Kent et al.  
D549,657 S 8/2007 Ng  
D554,064 S 10/2007 Ng  
D564,451 S 3/2008 Fornino  
D574,328 S 8/2008 Chen et al.  
D576,553 S 9/2008 Lee et al.  
D666,556 S 9/2012 Byrne  
D682,215 S 5/2013 Miller  
D763,797 S 8/2016 Xu  
D814,420 S 4/2018 Chen  
D875,050 S 2/2020 Cheng  
D914,610 S 3/2021 Ly et al.  
D918,147 S \* 5/2021 Yu ..... D13/139.8  
D924,808 S \* 7/2021 Bao ..... D13/137.2  
D931,220 S \* 9/2021 Wang ..... D13/137.2  
D944,743 S \* 3/2022 Wang ..... D13/147  
D947,783 S \* 4/2022 Wu ..... D13/139.8  
D951,197 S \* 5/2022 Chen ..... D13/137.2

(Continued)

*Primary Examiner* — Rhea Shields  
(74) *Attorney, Agent, or Firm* — Bruce P. LaBrie;  
Resolution Legal Group

(57) **CLAIM**

The ornamental design for a surge protector, as shown and described.

**DESCRIPTION**

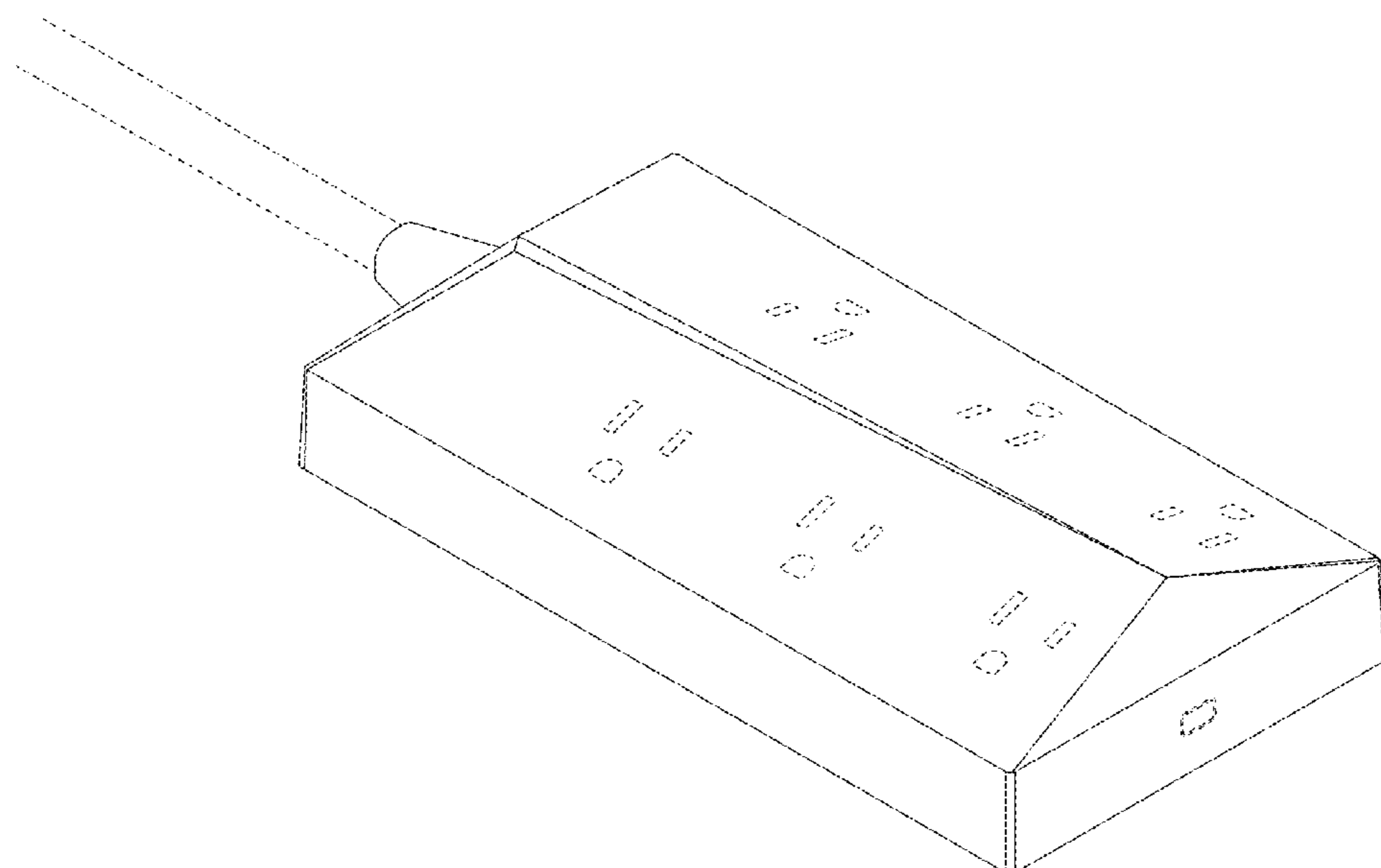
FIG. 1 is a front elevation view of a surge protector showing our new design;  
FIG. 2 is a rear elevation view thereof;  
FIG. 3 is a right side view thereof;  
FIG. 4 is a left side view thereof;  
FIG. 5 is a top view thereof;  
FIG. 6 is a bottom view thereof  
FIG. 7 is a perspective view thereof; and,  
FIG. 8 is a perspective view thereof.  
The structural features depicted by broken lines have been shown for the purpose of illustrating portions of the surge protector that form no part of the claimed design.

**1 Claim, 4 Drawing Sheets**

(56) **References Cited**

U.S. PATENT DOCUMENTS

4,215,277 A \* 7/1980 Weiner ..... H05B 47/155  
307/115  
D350,939 S \* 9/1994 Rossman ..... D13/139.8  
D368,893 S \* 4/1996 Harwood ..... D13/139.8  
5,906,517 A \* 5/1999 Crane ..... H01R 25/00  
439/654  
5,984,728 A \* 11/1999 Chen ..... H01R 13/6666  
439/535  
D446,189 S 8/2001 Lee  
D467,875 S 12/2002 Barger et al.  
7,193,830 B2 \* 3/2007 Fournier ..... H01R 25/003  
361/111  
D549,176 S 8/2007 Kent et al.  
D549,654 S 8/2007 Kent et al.



(56)

**References Cited**

U.S. PATENT DOCUMENTS

D953,996	S	*	6/2022	Zheng	.....	D13/137.2
D955,995	S	*	6/2022	Zheng	.....	D13/137.2
D957,340	S	*	7/2022	Mei	.....	D13/137.1
D957,341	S	*	7/2022	Liu	.....	D13/137.2
D957,342	S	*	7/2022	Zhou	.....	D13/137.2
D960,100	S	*	8/2022	Lin	.....	D13/137.2
D968,335	S	*	11/2022	Chen	.....	D13/139.6

\* cited by examiner

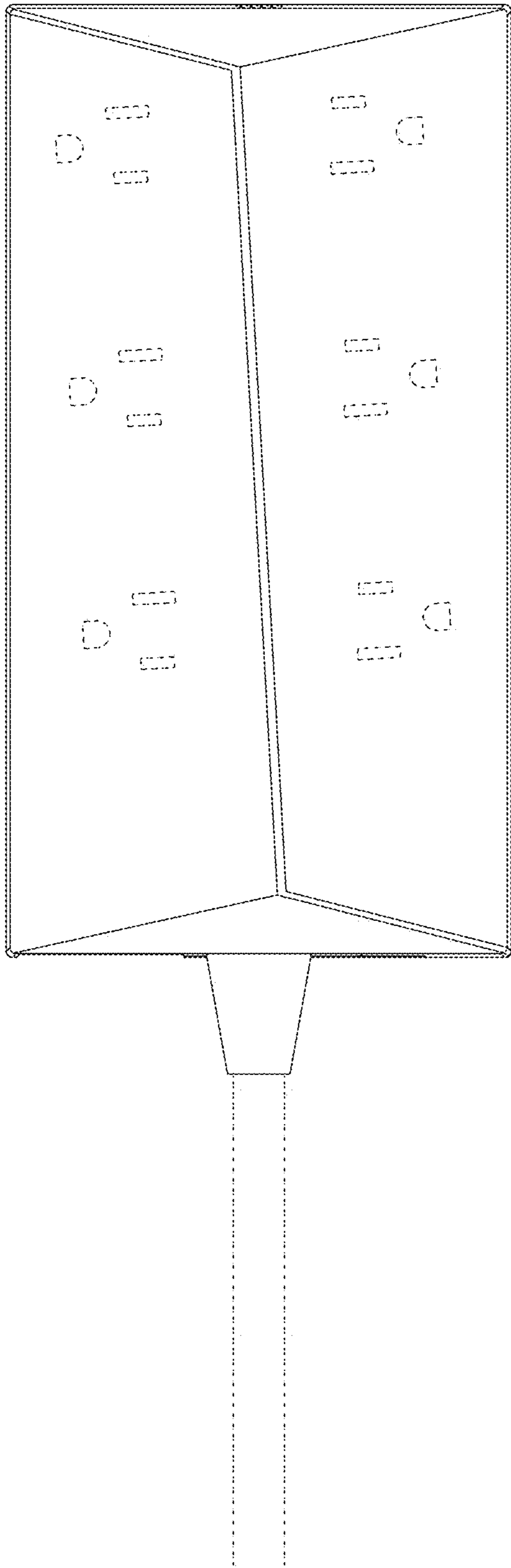


FIG. 1

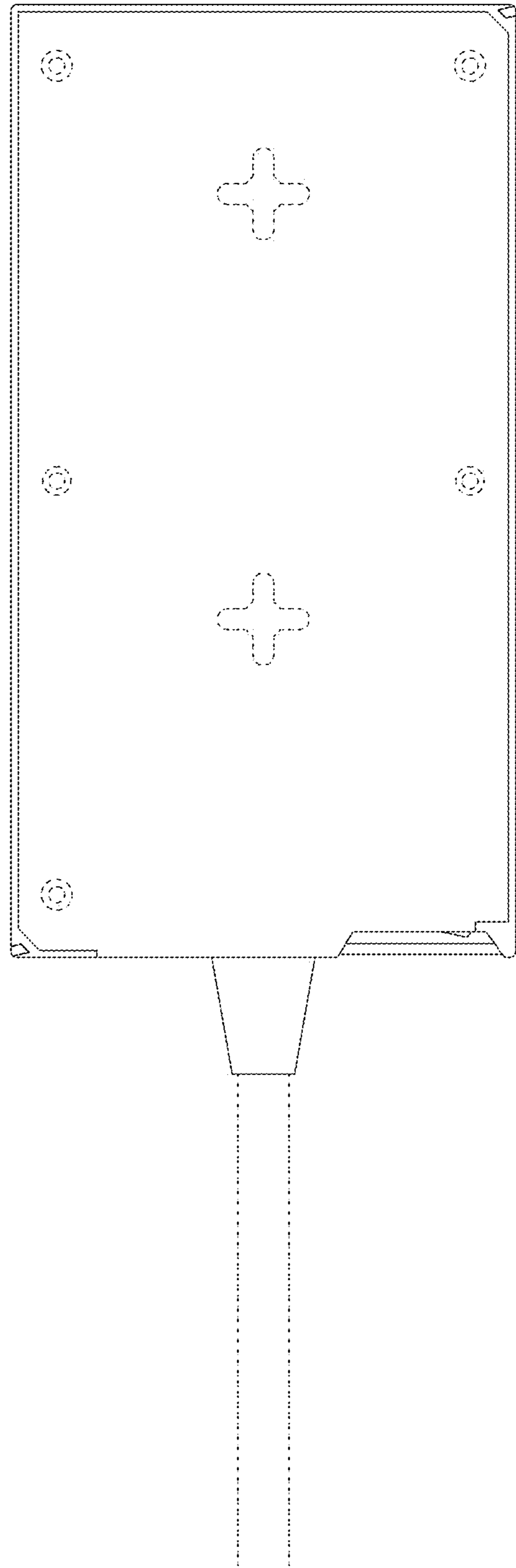


FIG. 2

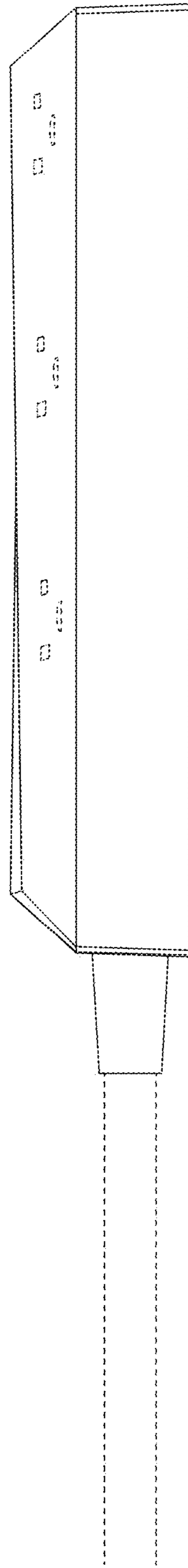


FIG. 3.

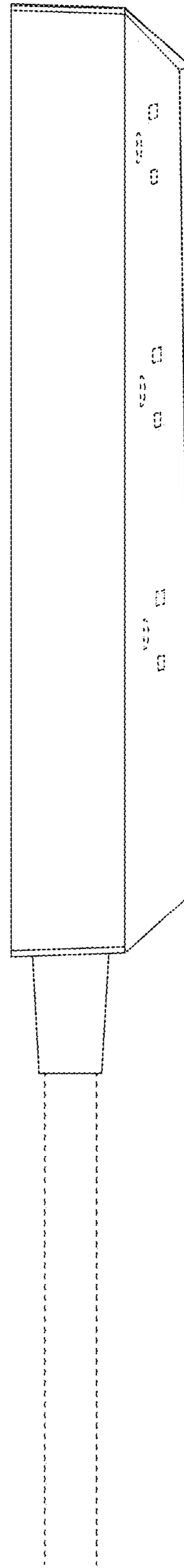


FIG. 4.

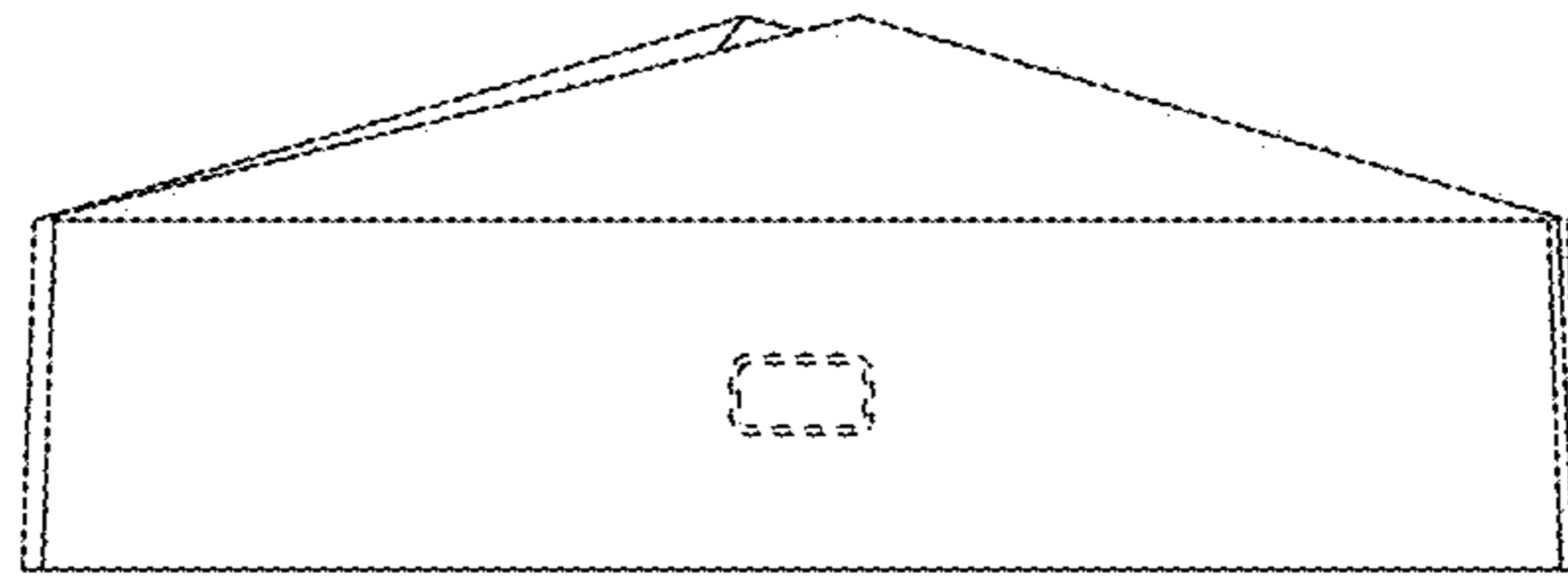


FIG. 5

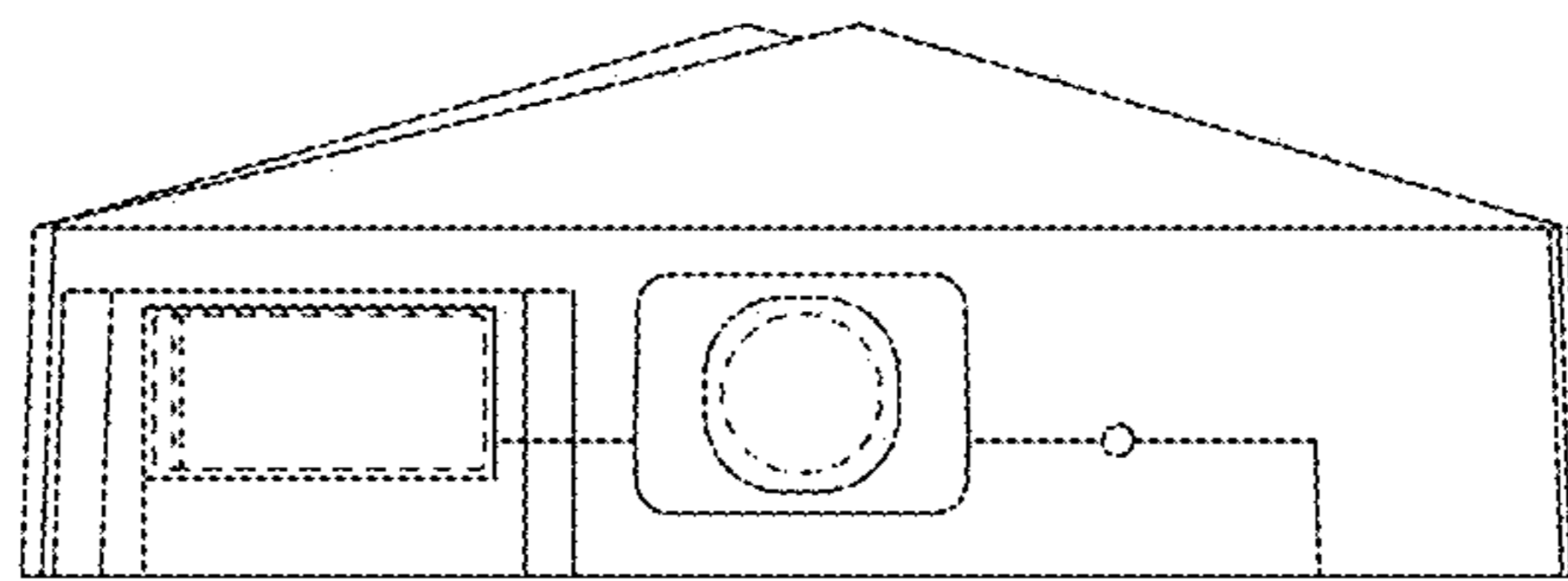


FIG. 6

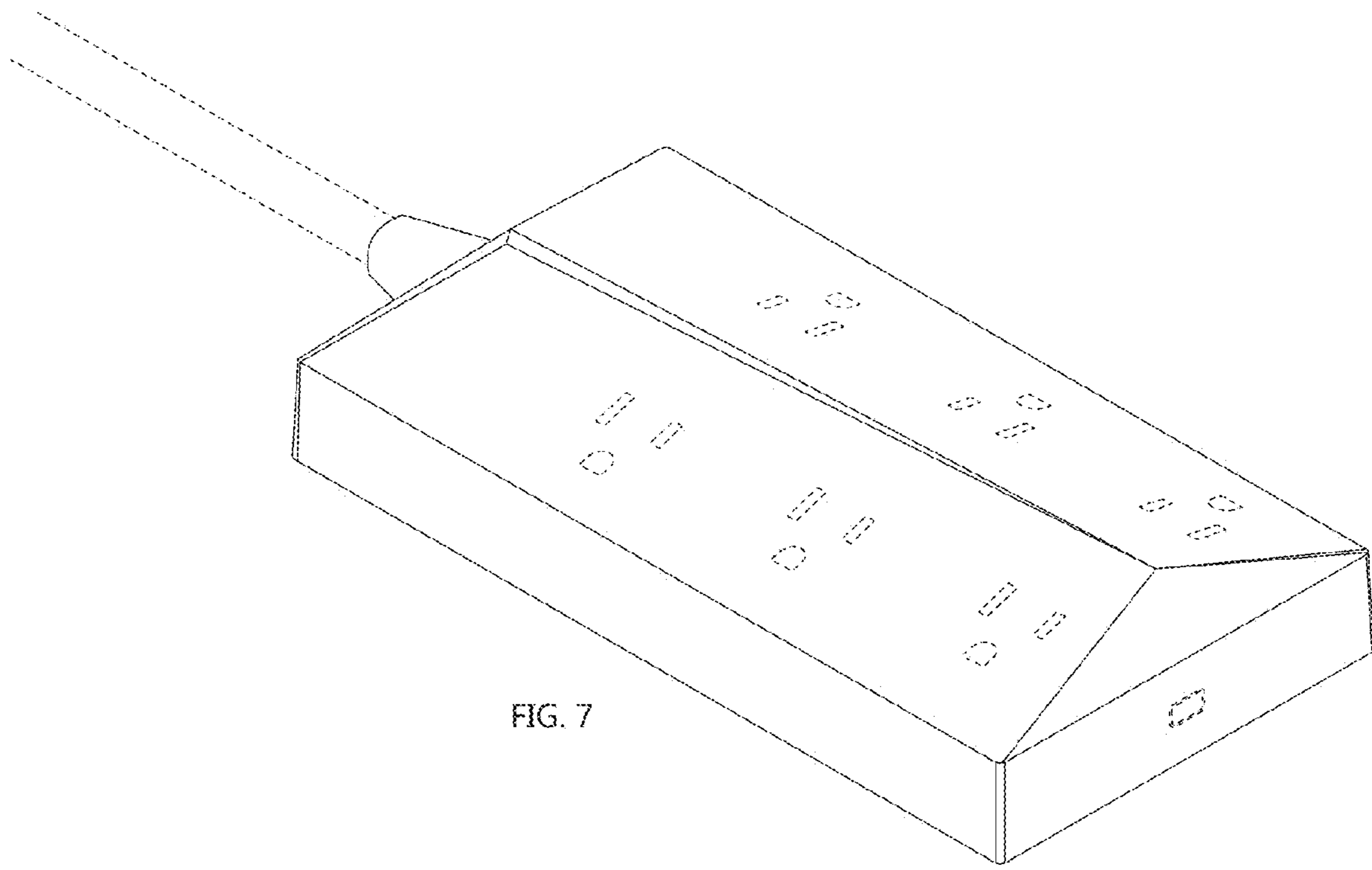


FIG. 7

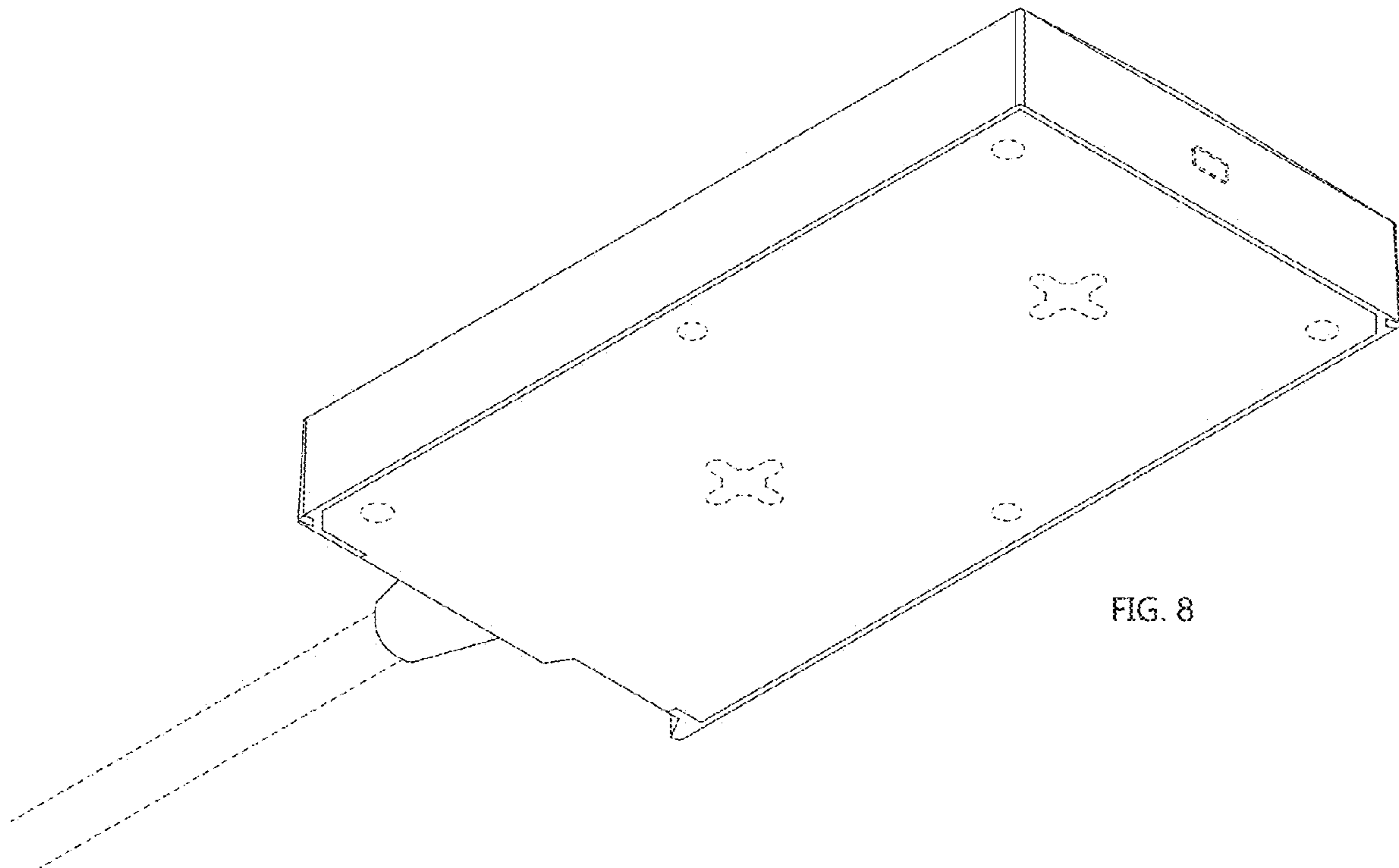


FIG. 8