

US00D977427S

(12) **United States Design Patent** (10) **Patent No.:** **US D977,427 S**
Simon et al. (45) **Date of Patent:** **** Feb. 7, 2023**

(54) **ELECTRICAL GENERATOR** 13/516; H01R 13/518; H01R 13/5213;
H01R 25/006; F16H 57/025; F16H
(71) Applicant: **Cummins Generator Technologies** 57/039; F16D 65/14
Limited, Peterborough (GB) See application file for complete search history.

(72) Inventors: **Kevan John Simon**, Peterborough
(GB); **Neil Brown**, Peterborough (GB);
Peethamparam Anpalahan,
Peterborough (GB); **Philip Bend**,
Peterborough (GB); **Robert Mitchell**
Rolston, Peterborough (GB)

(56) **References Cited**

U.S. PATENT DOCUMENTS

D295,621 S	5/1988	Lent et al.	
D336,890 S *	6/1993	Hirose	D13/112
6,198,183 B1 *	3/2001	Baeumel	H02K 5/20 310/52
D574,325 S	8/2008	Naghshineh	
D618,615 S	6/2010	Basic et al.	
7,965,005 B2	6/2011	Schmidt et al.	
D667,372 S *	9/2012	Lannoch	D13/112
D712,354 S	9/2014	Veeh et al.	
D762,574 S *	8/2016	Grillenberger	D13/112
D769,191 S *	10/2016	Vohlgemuth	D13/114
D772,814 S	11/2016	Rivault et al.	

(Continued)

(73) Assignee: **Cummins Generator Technologies**
Limited, Peterborough (GB)

(**) Term: **15 Years**

(21) Appl. No.: **29/826,750**

(22) Filed: **Feb. 15, 2022**

Primary Examiner — Derrick E Holland

(74) *Attorney, Agent, or Firm* — Foley & Lardner LLP

Related U.S. Application Data

(62) Division of application No. 29/716,901, filed on Dec.
12, 2019, now Pat. No. Des. 946,523.

(57) **CLAIM**

We claim the ornamental design for an electrical generator,
as shown and described.

(30) **Foreign Application Priority Data**

Sep. 9, 2019 (EM)	006850863-0001
Sep. 9, 2019 (EM)	006850863-0002
Sep. 9, 2019 (EM)	006850863-0003

DESCRIPTION

FIG. 1 is a top, front, left isometric view of an electrical
generator showing the new design;
FIG. 2 is a front elevational view thereof;
FIG. 3 is a rear elevational view thereof;
FIG. 4 is a right side elevational view thereof;
FIG. 5 is a left side elevational view thereof;
FIG. 6 is a top plan view thereof; and,
FIG. 7 is a bottom plan view thereof.

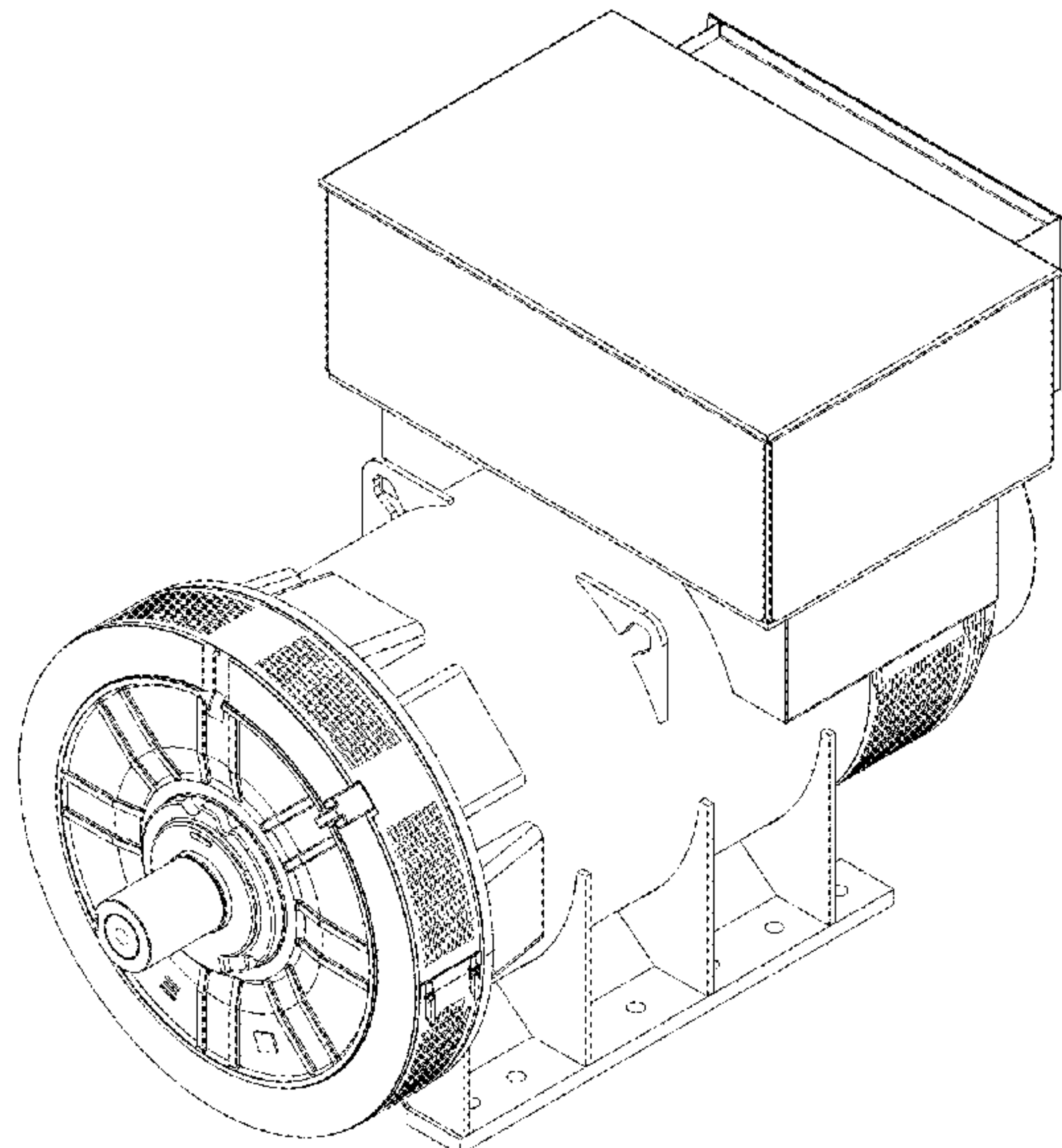
(51) **LOC (14) Cl.** **13-01**

(52) **U.S. Cl.**
USPC **D13/112**

The ornamental design which is claimed is shown in solid
lines in the drawings. Any broken lines in the figures
illustrate portions of the electrical generator that form no
part of the claimed design.

(58) **Field of Classification Search**
USPC D13/112, 113, 114, 101, 117, 118, 122,
D13/184, 199; D15/1, 3, 5, 199
CPC .. H02K 5/18; H02K 5/20; H02K 5/24; H02K
5/47; H02K 3/24; H02K 3/47; H02K
11/0094; F02B 63/04; H01R 13/46; H01R
13/50; H01R 13/52; H01R 13/506; H01R

1 Claim, 7 Drawing Sheets



(56)

References Cited

U.S. PATENT DOCUMENTS

D780,119 S 2/2017 Schieck
D794,563 S 8/2017 Matta et al.
11,349,259 B2 * 5/2022 Liu H01R 13/514

* cited by examiner

FIG. 1

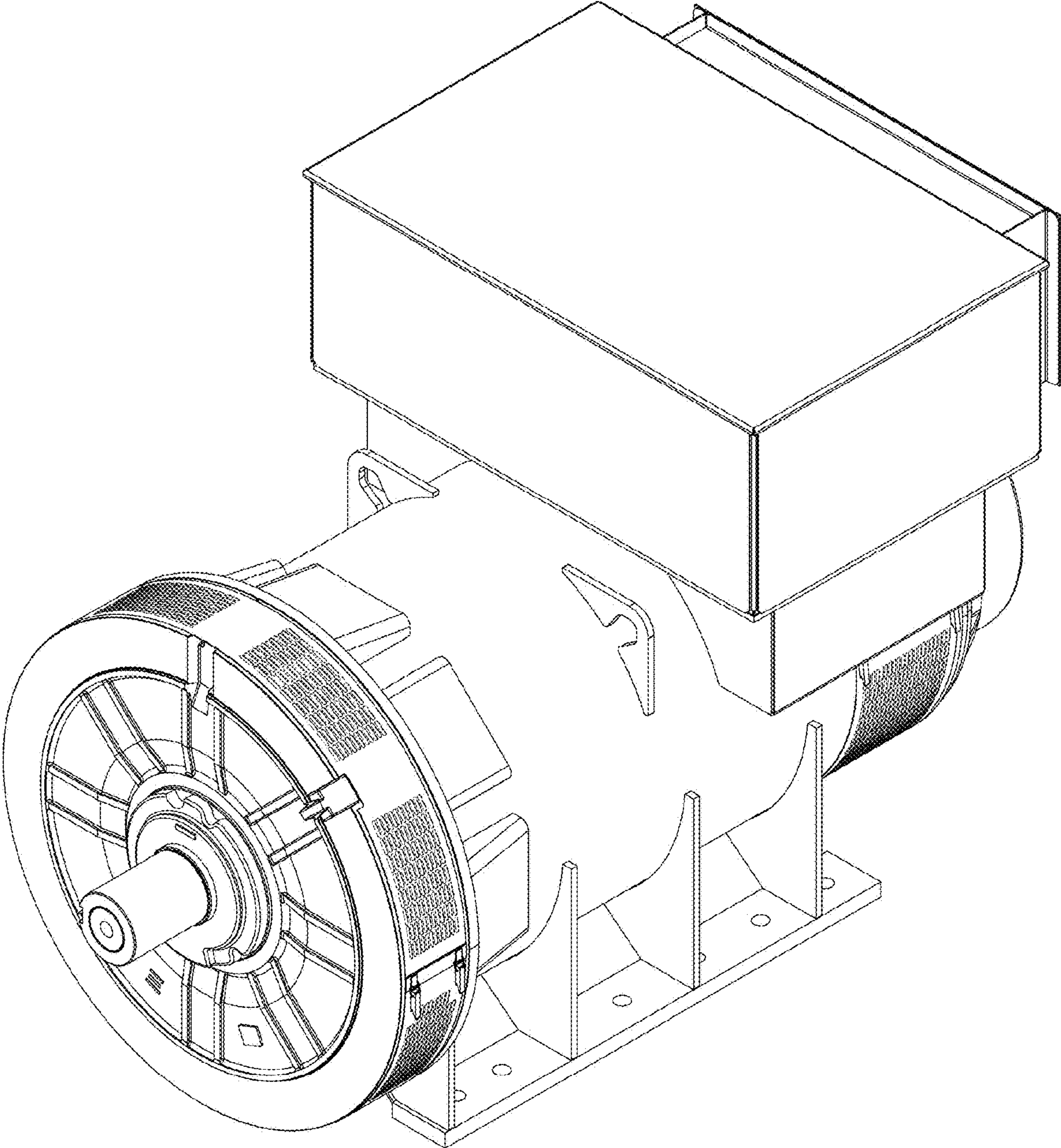


FIG. 2

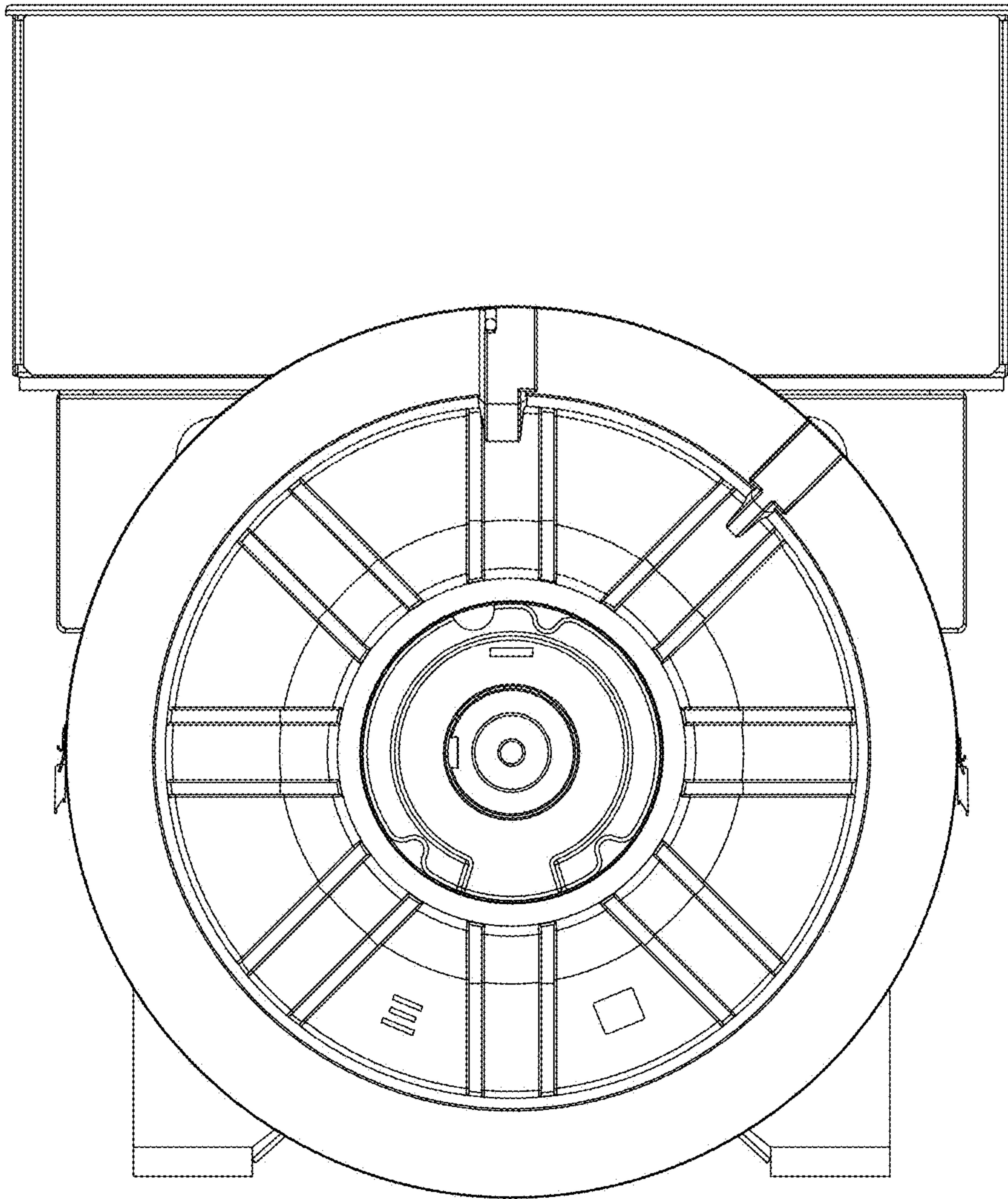


FIG. 3

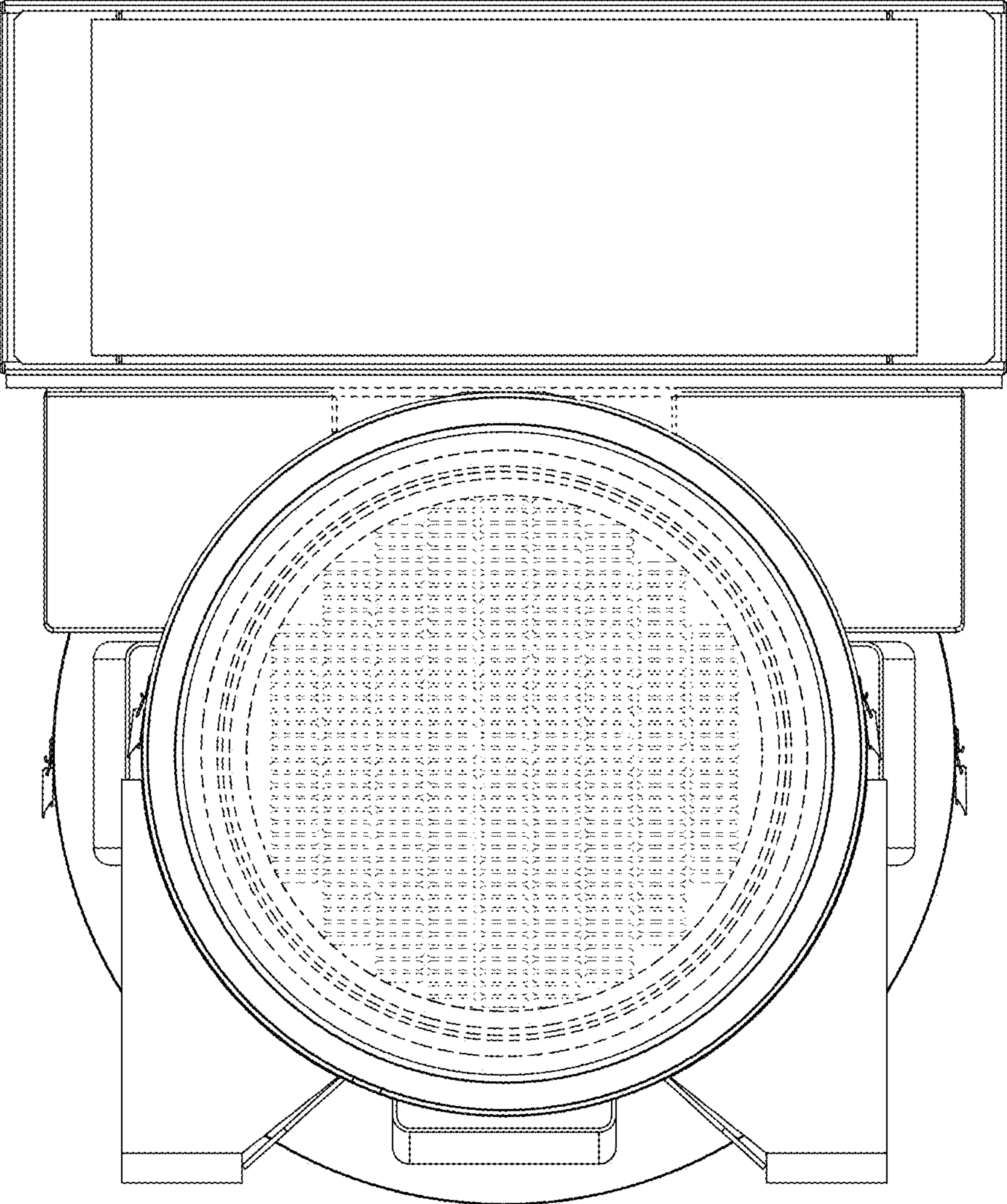


FIG. 4

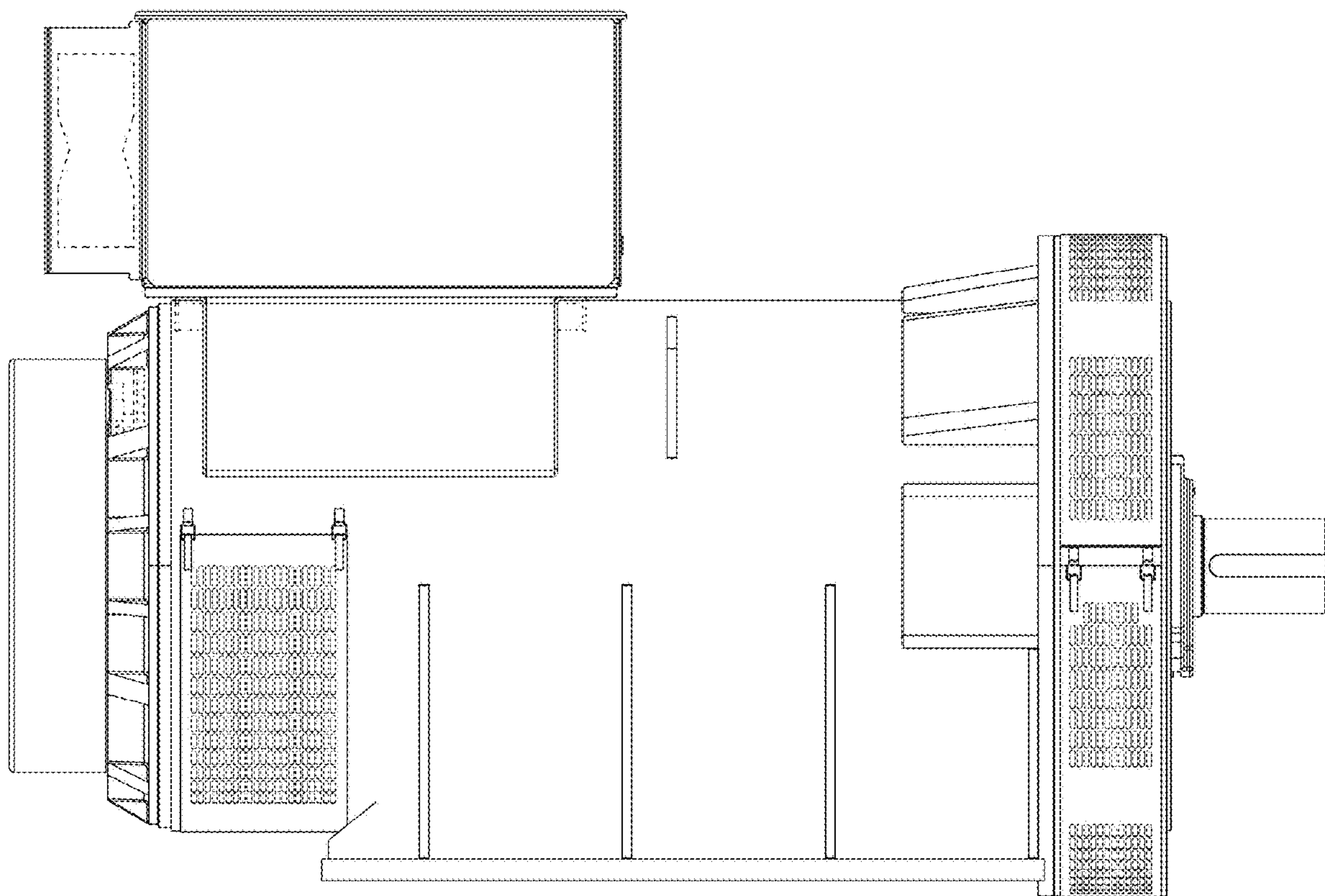


FIG. 5

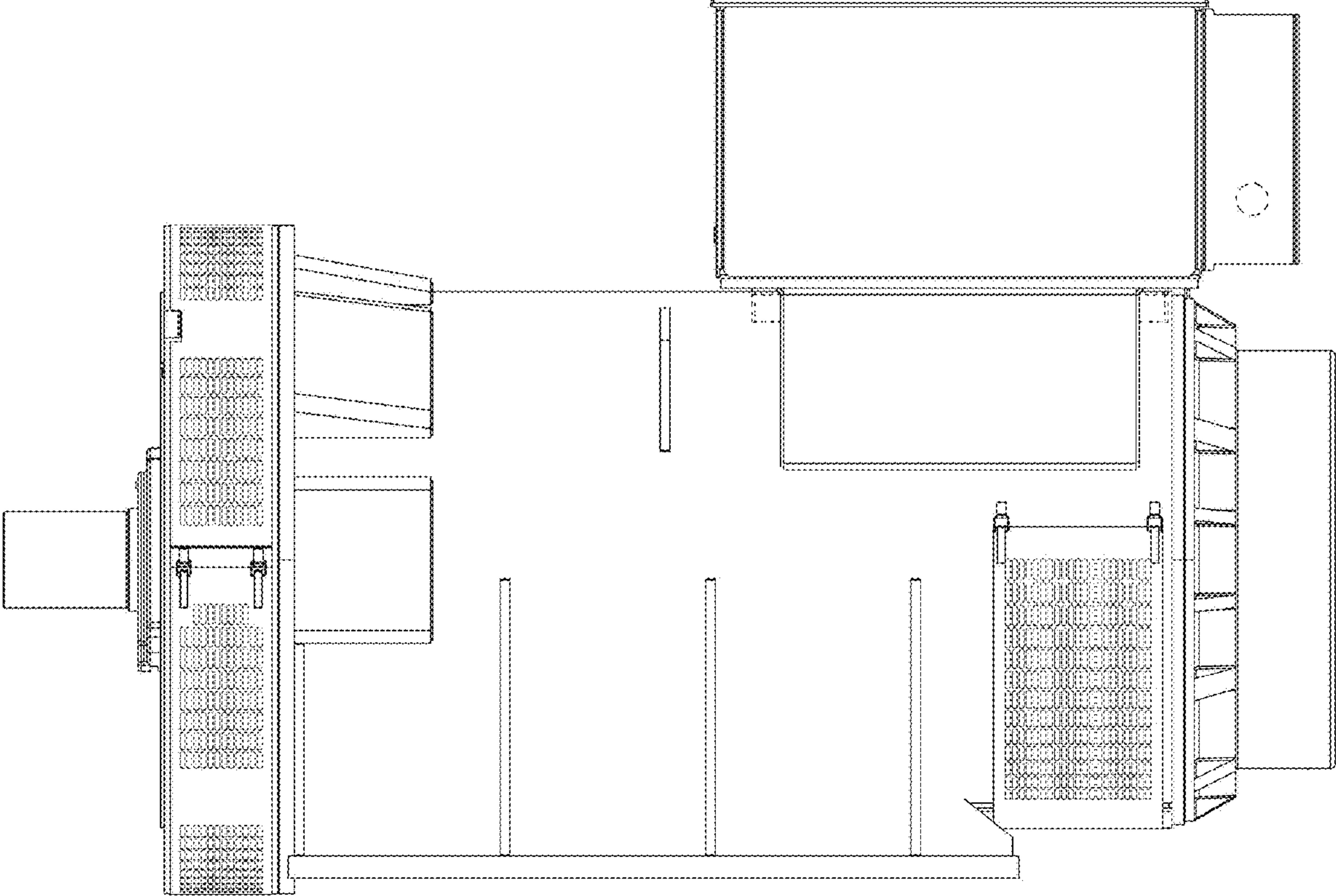


FIG. 6

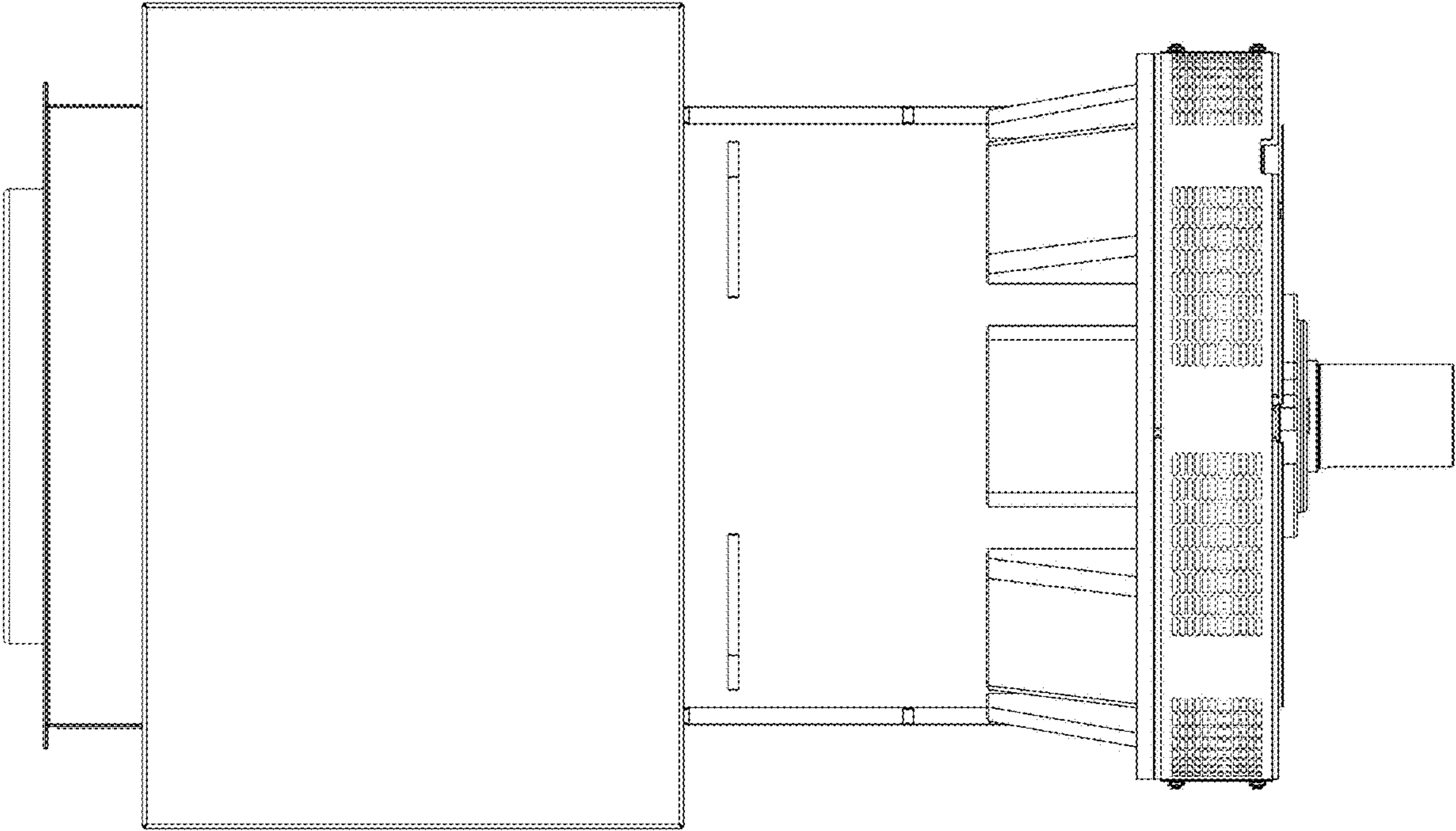


FIG. 7

