



US00D977426S

(12) **United States Design Patent** (10) **Patent No.:** **US D977,426 S**  
**Mattson et al.** (45) **Date of Patent:** **\*\* Feb. 7, 2023**

(54) **HYDRAULIC POWER PACK**  
(71) Applicant: **Graco Minnesota Inc.**, Minneapolis, MN (US)  
(72) Inventors: **Barry W. Mattson**, Elk River, MN (US); **Bret A. Deneson**, Otsego, MN (US)

D250,113 S \* 10/1978 Nobata ..... D15/9  
4,211,519 A 7/1980 Hogan  
4,381,904 A 5/1983 Kyte et al.  
4,693,397 A 9/1987 Lang  
5,133,644 A 7/1992 Barr et al.  
5,154,589 A 10/1992 Ruhl et al.  
5,740,718 A 4/1998 Rathweg  
5,918,558 A 7/1999 Susag  
(Continued)

(73) Assignee: **Graco Minnesota Inc.**, Minneapolis, MN (US)

**FOREIGN PATENT DOCUMENTS**

(\*\*) Term: **15 Years**

CN 101205939 A 6/2008  
CN 103930218 A 7/2014  
(Continued)

(21) Appl. No.: **29/717,055**

**OTHER PUBLICATIONS**

(22) Filed: **Dec. 13, 2019**

Extended European Search Report for Application No. 18169821.8, dated Jul. 6, 2018, 7 pages.

(51) **LOC (14) Cl.** ..... **13-01**

(52) **U.S. Cl.**  
USPC ..... **D13/112; D15/7**

(58) **Field of Classification Search**  
USPC ..... D13/101, 112, 113, 114, 116, 118, 122, D13/184, 199; D15/7, 9; D23/225  
CPC ..... Y10T 137/86533; F04B 9/1256; F04B 53/12; F04B 53/16; F04B 53/22; F04B 53/92; F04B 53/108; F04B 41/02; F04B 41/04; F04B 41/06; F04B 41/35; F02M 37/04; F02M 37/06

See application file for complete search history.

*Primary Examiner* — Derrick E Holland  
(74) *Attorney, Agent, or Firm* — Kinney & Lange, P.A.

(57) **CLAIM**

The ornamental design for a hydraulic power pack, as shown and described.

**DESCRIPTION**

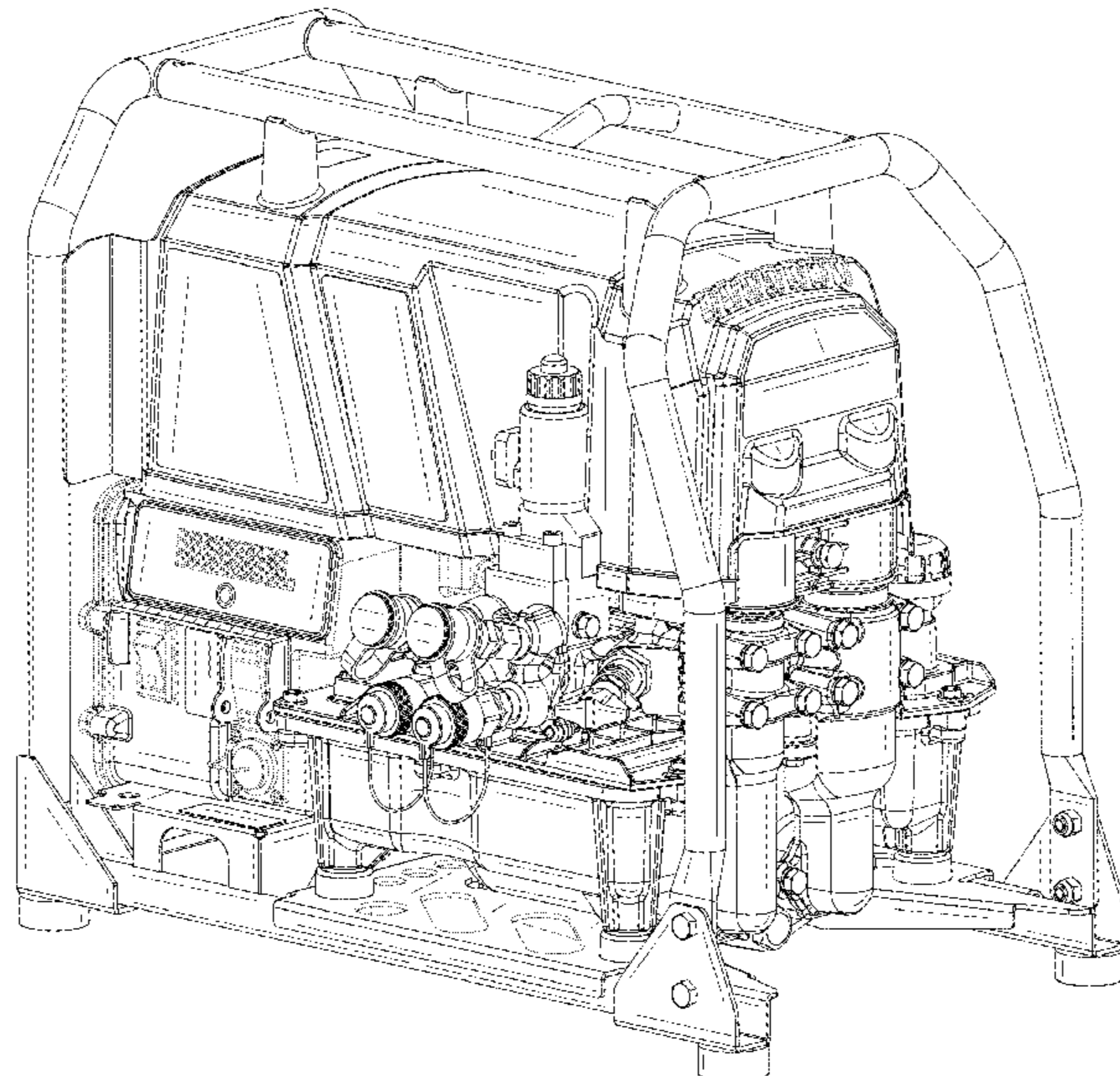
FIG. 1 is a perspective view of a hydraulic power pack; FIG. 2 is a right side view of the hydraulic power pack; FIG. 3 is a left side view of the hydraulic power pack; FIG. 4 is a front elevational view of the hydraulic power pack; FIG. 5 is a rear elevational view of the hydraulic power pack; and, FIG. 6 is a top plan view of the hydraulic power pack. The broken lines shown represent the portions of the hydraulic power pack that form no part of the claimed design.

(56) **References Cited**

**U.S. PATENT DOCUMENTS**

2,397,174 A 3/1946 Warren et al.  
2,781,728 A 2/1957 Fischer et al.  
3,022,738 A 2/1962 Krute  
3,113,432 A 12/1963 Watson  
3,366,066 A 1/1968 Levey  
3,610,783 A 10/1971 Croucher  
3,692,214 A 9/1972 Liedberg et al.  
3,776,665 A 12/1973 Dalton  
4,030,857 A 6/1977 Smith, Jr.

**1 Claim, 6 Drawing Sheets**



(56)

References Cited

U.S. PATENT DOCUMENTS

6,000,916 A 12/1999 Martin et al.  
 6,279,453 B1 8/2001 Funck  
 6,299,416 B1 10/2001 Kwag  
 6,981,852 B2 1/2006 Anderson  
 7,108,024 B2 9/2006 Navarro  
 D555,592 S \* 11/2007 Nozaki ..... D13/114  
 7,296,981 B2 11/2007 Strong  
 D590,843 S \* 4/2009 Averill ..... D15/9  
 D603,872 S \* 11/2009 Averill ..... D15/9  
 D603,879 S \* 11/2009 Kosugi ..... D15/9  
 7,997,878 B2 8/2011 Fulkerson  
 D664,996 S \* 8/2012 Hsiao ..... D15/9  
 8,459,958 B2 6/2013 Renner  
 8,505,291 B2 8/2013 Wu et al.  
 8,608,453 B2 12/2013 Paluncic  
 9,091,286 B2 7/2015 Cesur et al.  
 9,145,660 B2 9/2015 Peterson et al.  
 D806,753 S \* 1/2018 Wood ..... D15/7  
 D839,312 S \* 1/2019 Bader ..... D15/7  
 2003/0115864 A1 6/2003 Mickelson  
 2004/0237681 A1 12/2004 Wheals et al.  
 2006/0177317 A1 8/2006 Thompson et al.  
 2006/0188380 A1 8/2006 Strong  
 2007/0131720 A1 6/2007 Bromert et al.  
 2008/0078455 A1 4/2008 Patterson  
 2009/0261761 A1 10/2009 Yoshioka

2010/0290929 A1 11/2010 Ohi et al.  
 2011/0061755 A1 3/2011 Hanakawa et al.  
 2011/0189036 A1 8/2011 Long  
 2012/0290929 A1 11/2012 Matsui  
 2012/0294745 A1 11/2012 Headley  
 2012/0321488 A1 12/2012 Ritterling et al.  
 2013/0078114 A1 3/2013 Van Rijswick et al.  
 2014/0064992 A1 3/2014 Peotter et al.  
 2014/0127036 A1 5/2014 Buckley et al.  
 2014/0154107 A1 6/2014 Chatfield et al.  
 2014/0174071 A1 6/2014 Lee  
 2015/0040548 A1 2/2015 Bieker et al.  
 2015/0308420 A1 10/2015 Donnally et al.  
 2015/0330519 A1 11/2015 Maurer et al.  
 2017/0058923 A1 3/2017 Boehler et al.

FOREIGN PATENT DOCUMENTS

CN 104632737 A 5/2015  
 EP 3029322 A2 6/2016  
 WO WO2008124281 A1 10/2008  
 WO WO2013170058 A1 11/2013

OTHER PUBLICATIONS

First Chinese Office Action for CN Application No. 2018104017921, dated Oct. 8, 2019, pp. 13.

\* cited by examiner

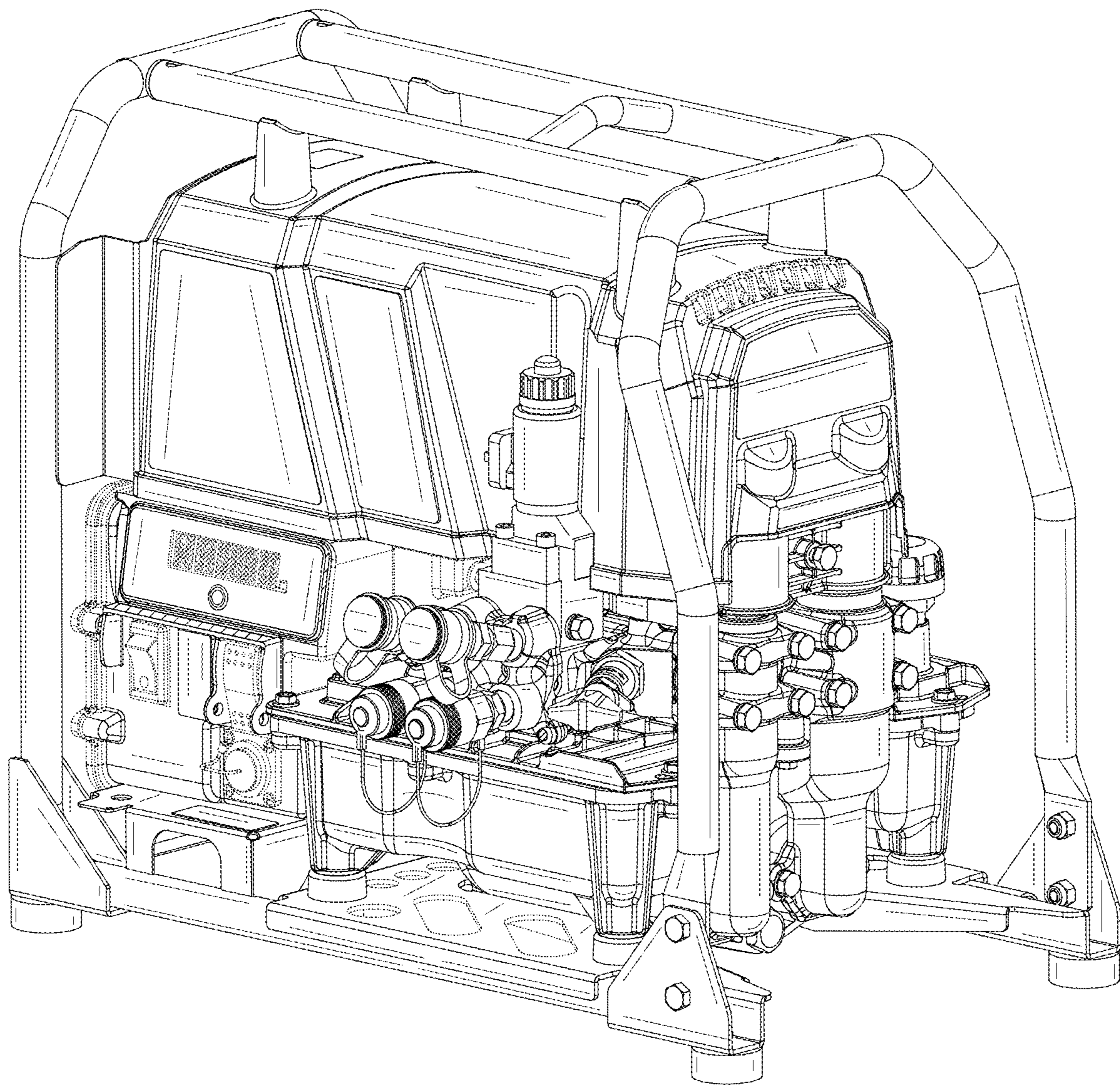


Fig. 1

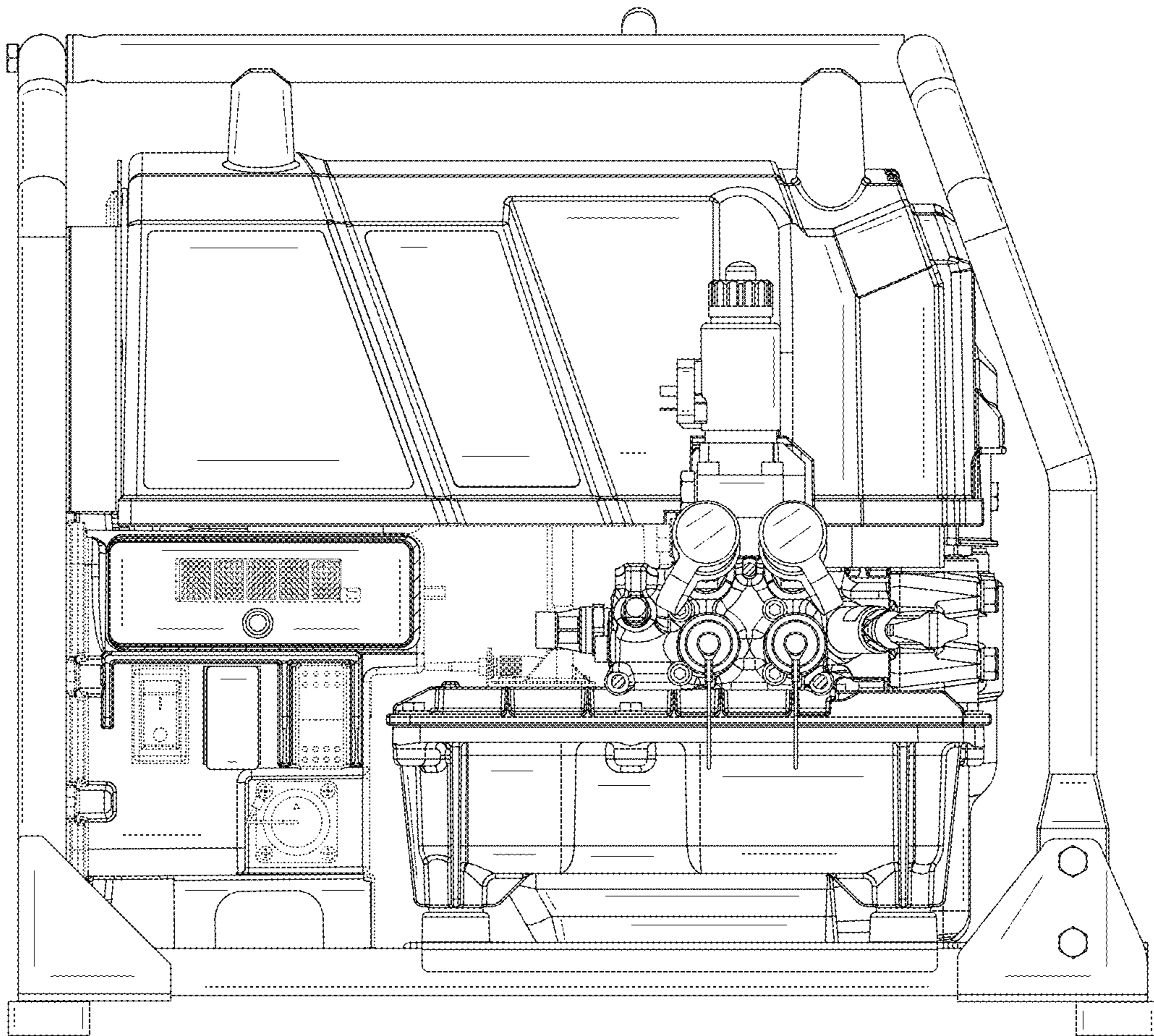


Fig. 2

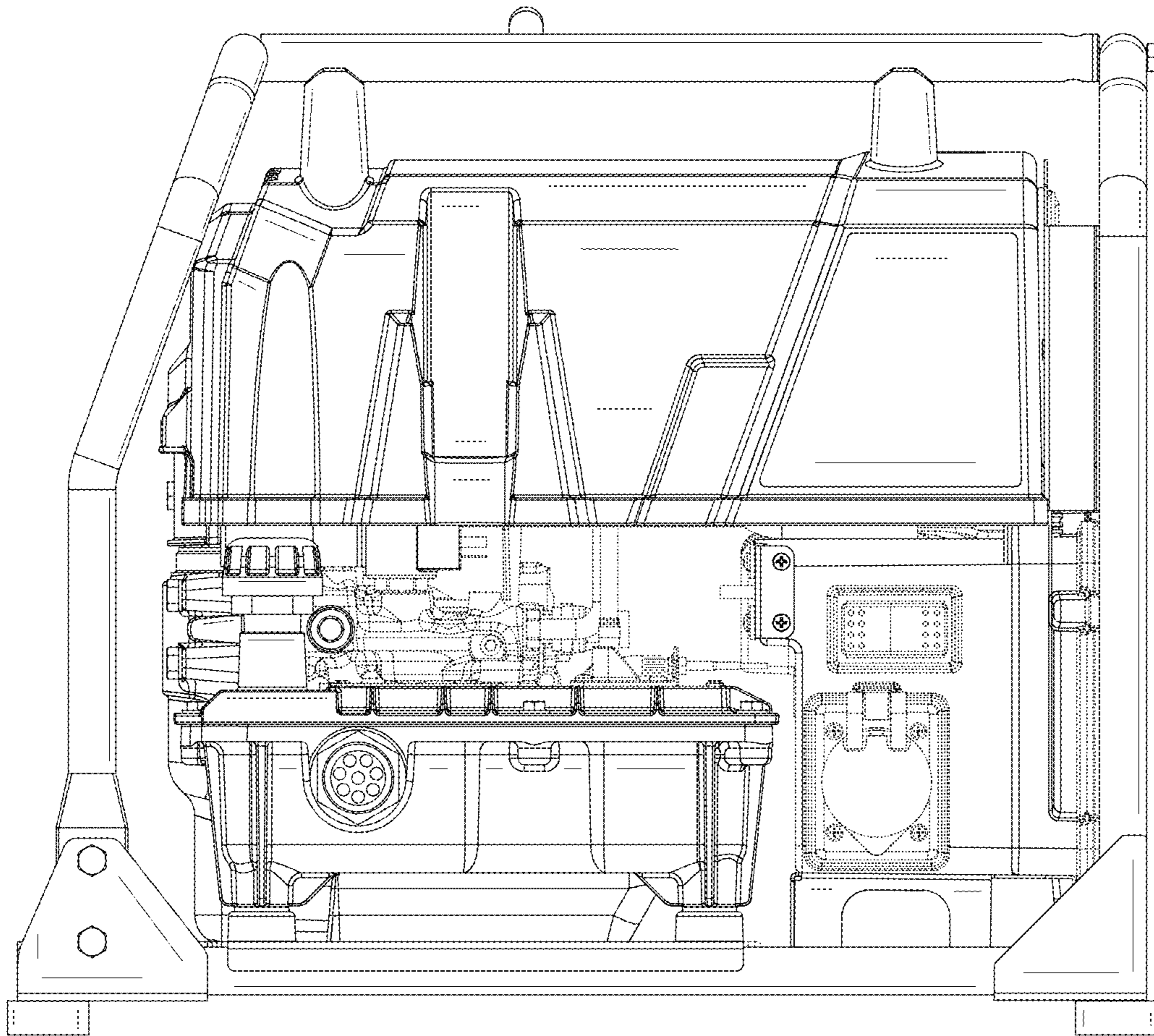


Fig. 3

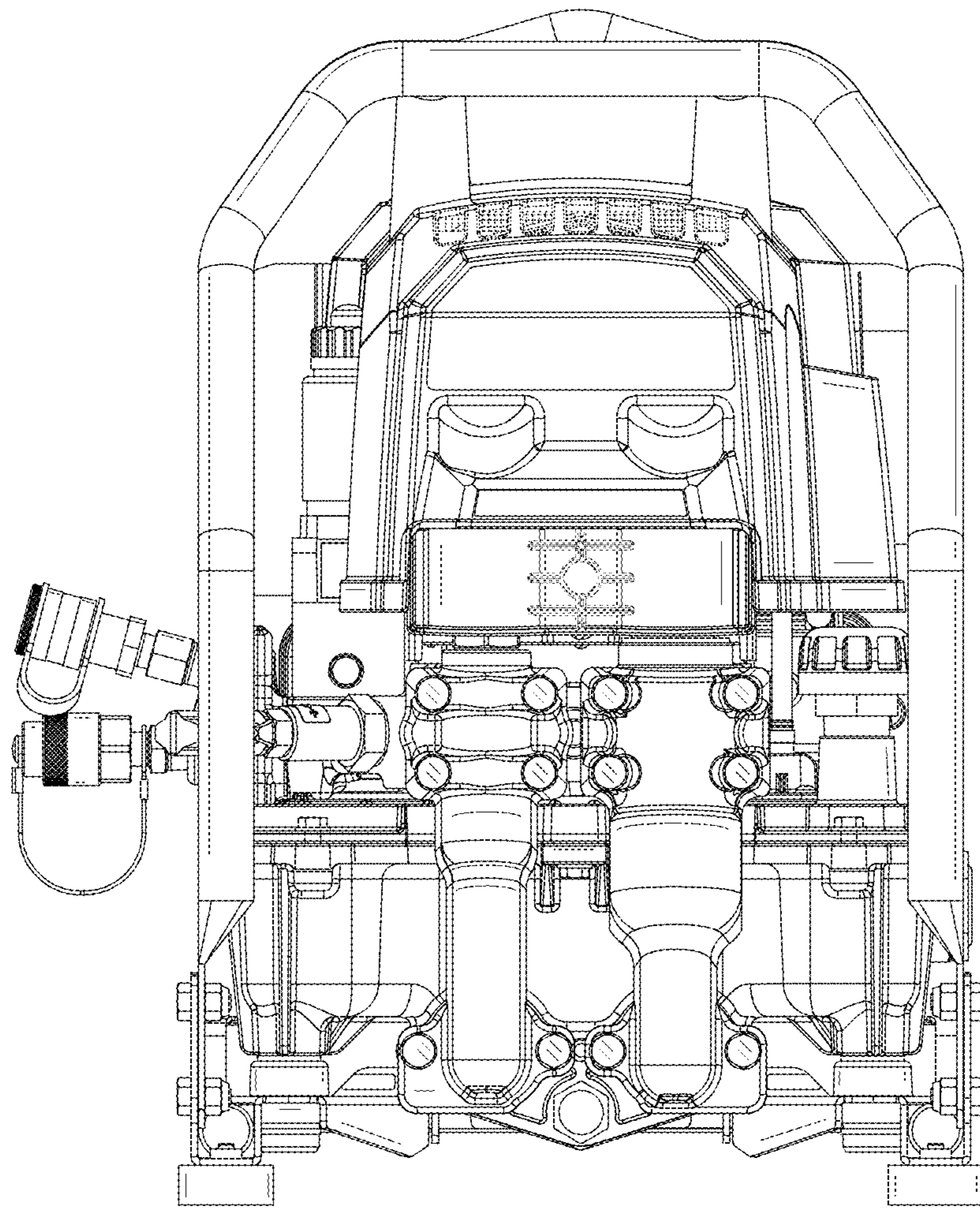


Fig. 4

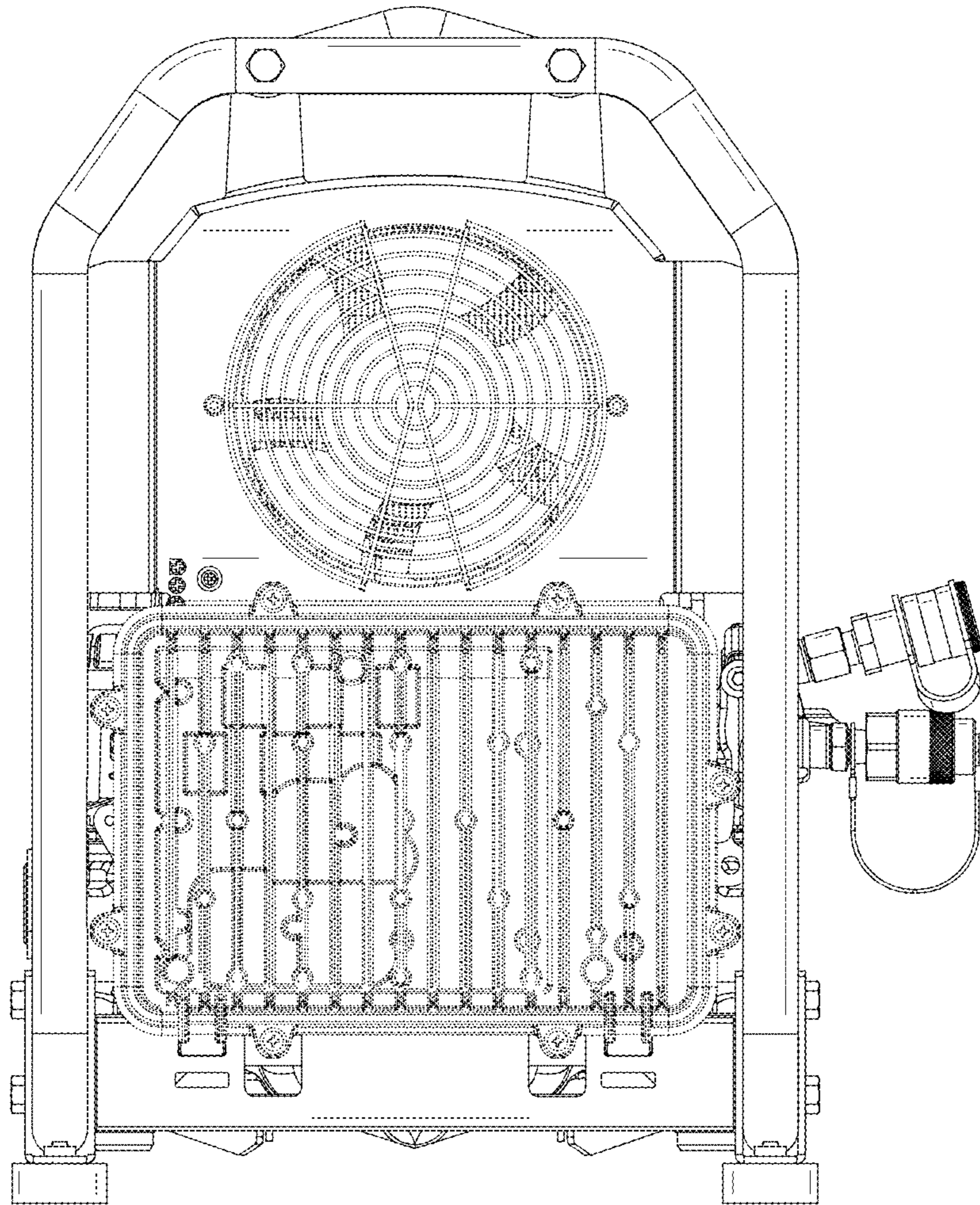


Fig. 5

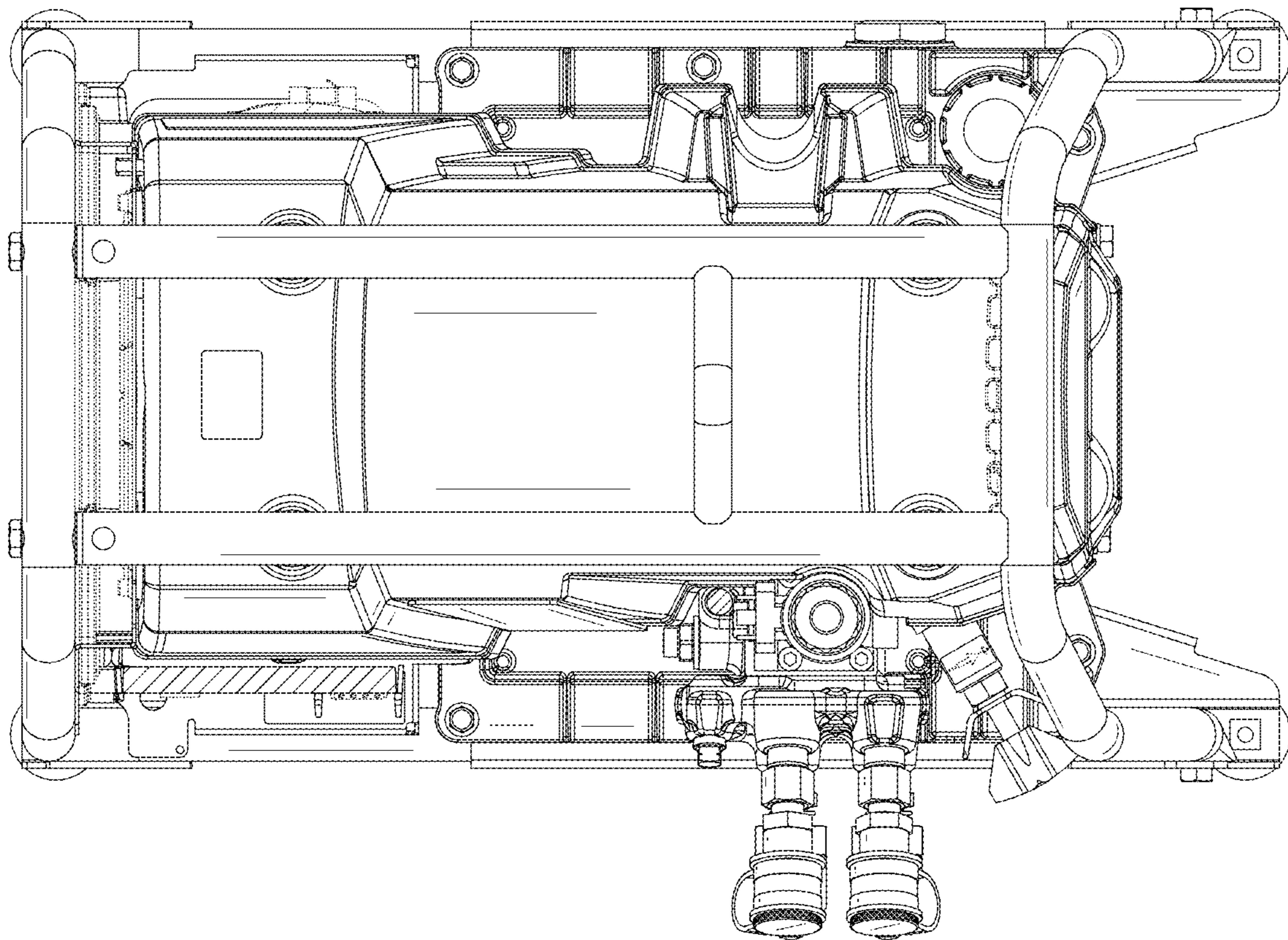


Fig. 6