



US00D977425S

(12) **United States Design Patent**
Chen et al.

(10) **Patent No.:** **US D977,425 S**
(45) **Date of Patent:** **** Feb. 7, 2023**

(54) **POWER SUPPLY UNIT**

D874,395 S * 2/2020 Sun D13/106
D886,047 S * 6/2020 Hung D13/103
D897,283 S * 9/2020 Sun D13/103

(71) Applicant: **EcoFlow Inc.**, Shenzhen (CN)

(Continued)

(72) Inventors: **Xi Chen**, Shenzhen (CN); **Haibin Zheng**, Shenzhen (CN)

OTHER PUBLICATIONS

(73) Assignee: **ECOFLOW INC.**, Shenzhen (CN)

“BLUETTI Portable Power Station AC200MAX, 2048Wh LiFePO4 Battery Backup, Expandable to 8192Wh w/4 2200W AC Outlets (4800W Peak), 30A RV Output, Solar Generator for Outdoor Camping, Home Use, Emergency”, Amazon.com, First available on Nov. 19, 2021. Retrieved from the internet: <<https://www.amazon.com/BLUETTI-Portable-Expandable-Generator-Emergency/dp/B09M8J9LY7/>> (Year: 2021).*

(**) Term: **15 Years**

(21) Appl. No.: **35/513,027**

(22) Filed: **Nov. 3, 2021**

(80) **Hague Agreement Data**

Int. Filing Date: **Nov. 3, 2021**

Int. Reg. No.: **DM/217421**

Int. Reg. Date: **Nov. 3, 2021**

Int. Reg. Pub. Date: **Nov. 26, 2021**

Primary Examiner — Rosemary K Tarcza

(74) *Attorney, Agent, or Firm* — Anova Law Group, PLLC

(30) **Foreign Application Priority Data**

Aug. 16, 2021 (CN) 202130530839.7

(51) **LOC (14) Cl.** **13-02**

(52) **U.S. Cl.**
USPC **D13/110**

(58) **Field of Classification Search**

USPC D13/102, 103, 106–108, 110, 112, 114, D13/116, 118–119, 184, 199

CPC H02J 7/0042; H02J 7/0044; H02J 7/0045; H02J 7/0047; H02J 7/0003; H02J 7/00047; H02J 7/0013; H02J 7/0027; H02J 1/122; H02J 7/00; B60R 16/033; H01M 10/44; H01M 10/46

See application file for complete search history.

(57) **CLAIM**

The ornamental design for a power supply unit, as shown and described.

(56) **References Cited**

U.S. PATENT DOCUMENTS

D664,499 S * 7/2012 Workman D13/107
D823,797 S * 7/2018 Krantz D13/110
D837,149 S * 1/2019 Yin D13/103

DESCRIPTION

1. Power supply unit

1.1 : Front

1.2 : Back

1.3 : Left

1.4 : Right

1.5 : Top

1.6 : Bottom

1.7 : Perspective

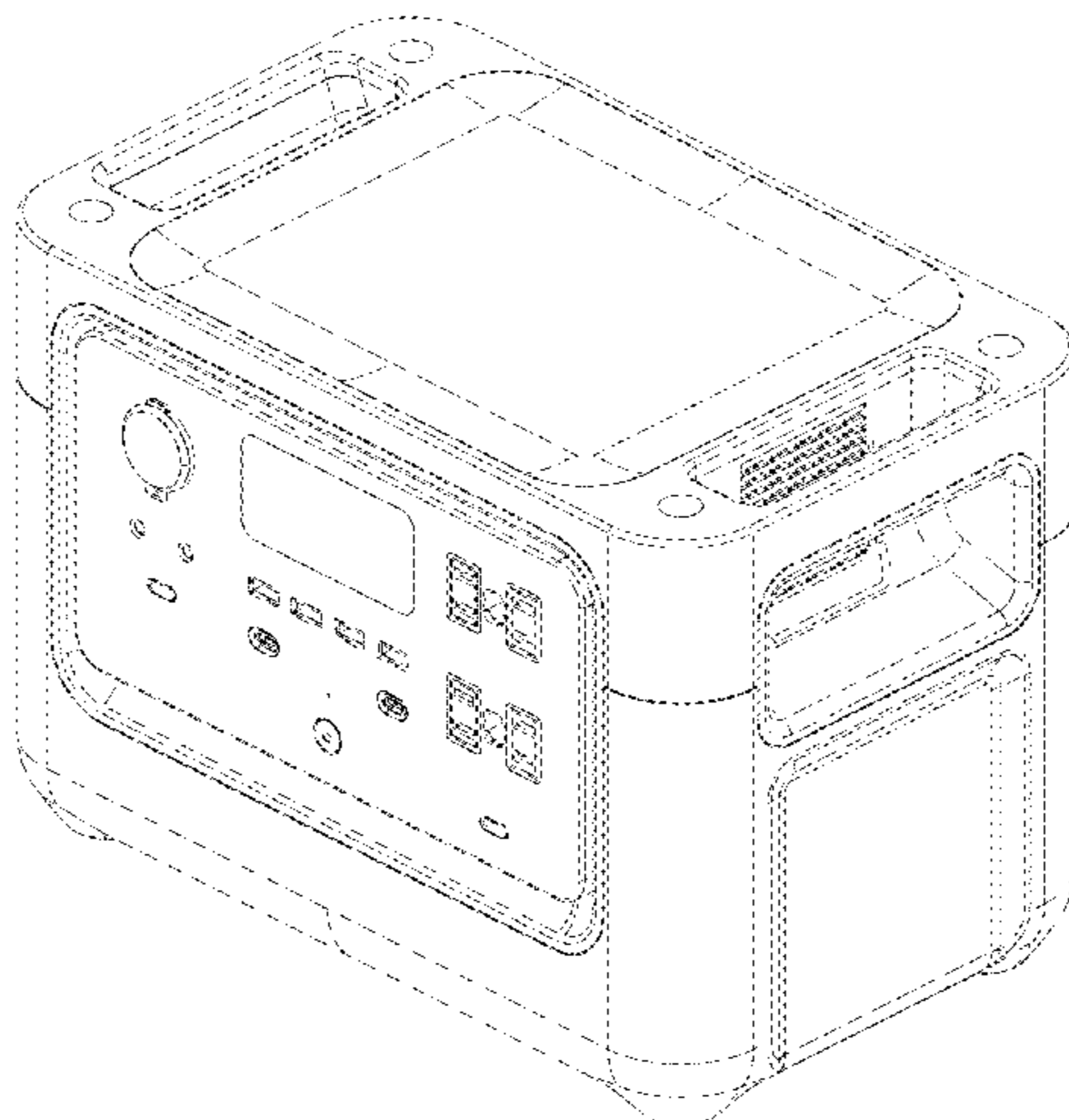
1.8 : Perspective

1.9 : Perspective

1.10 : Perspective

Reproduction 1.1: front view of design 1; reproduction 1.2: back view thereof; reproduction 1.3: left view thereof; reproduction 1.4: right view thereof; reproduction 1.5: top view thereof; reproduction 1.6: bottom view thereof; reproduction 1.7: perspective view (front, top, right side) thereof; reproduction 1.8: perspective view (back, bottom, left side)

(Continued)



thereof; reproduction 1.9: perspective view (front, bottom, left side) thereof; reproduction 1.10: perspective view (back, top, right side) thereof.

1 Claim, 10 Drawing Sheets

(56)

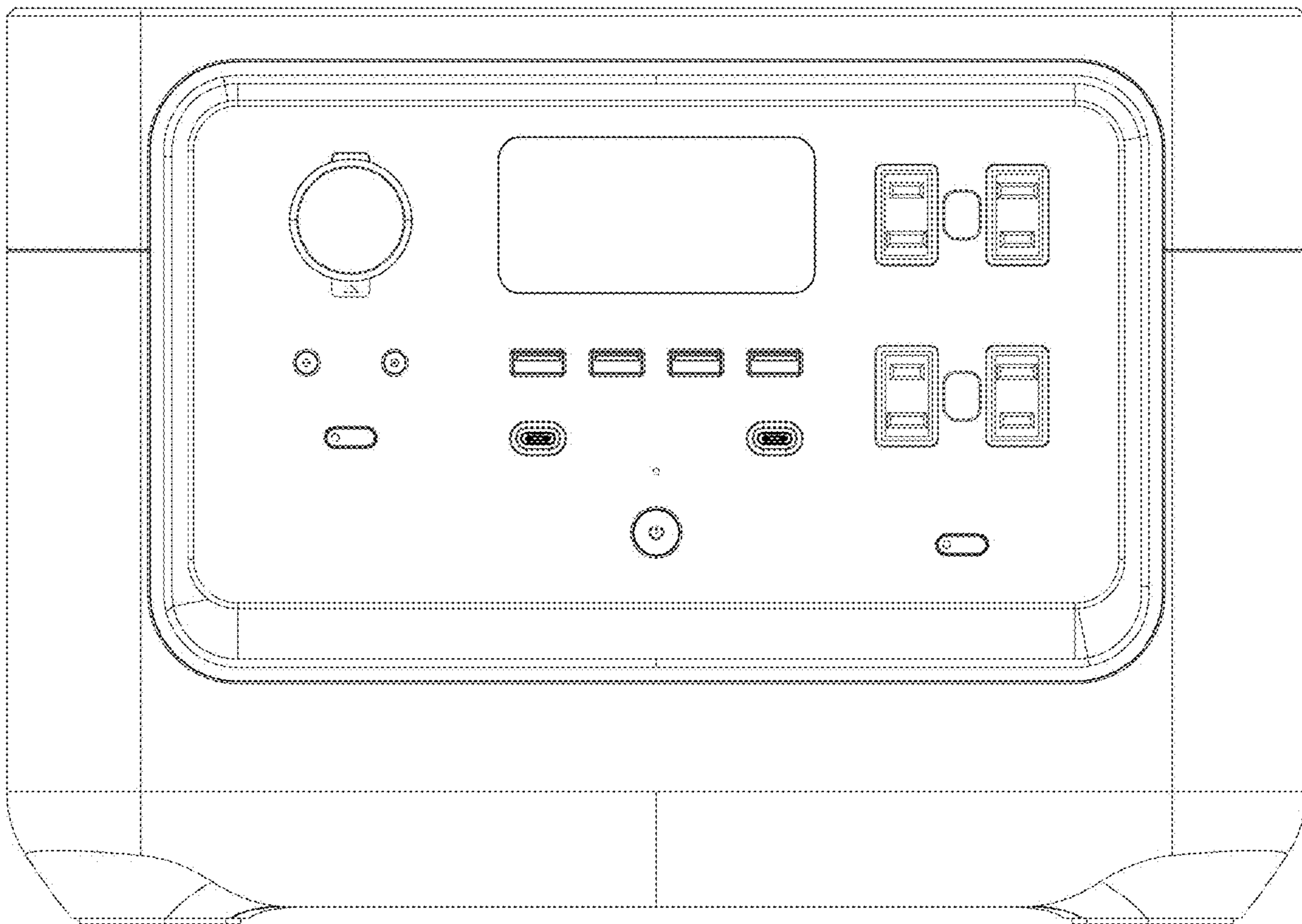
References Cited

U.S. PATENT DOCUMENTS

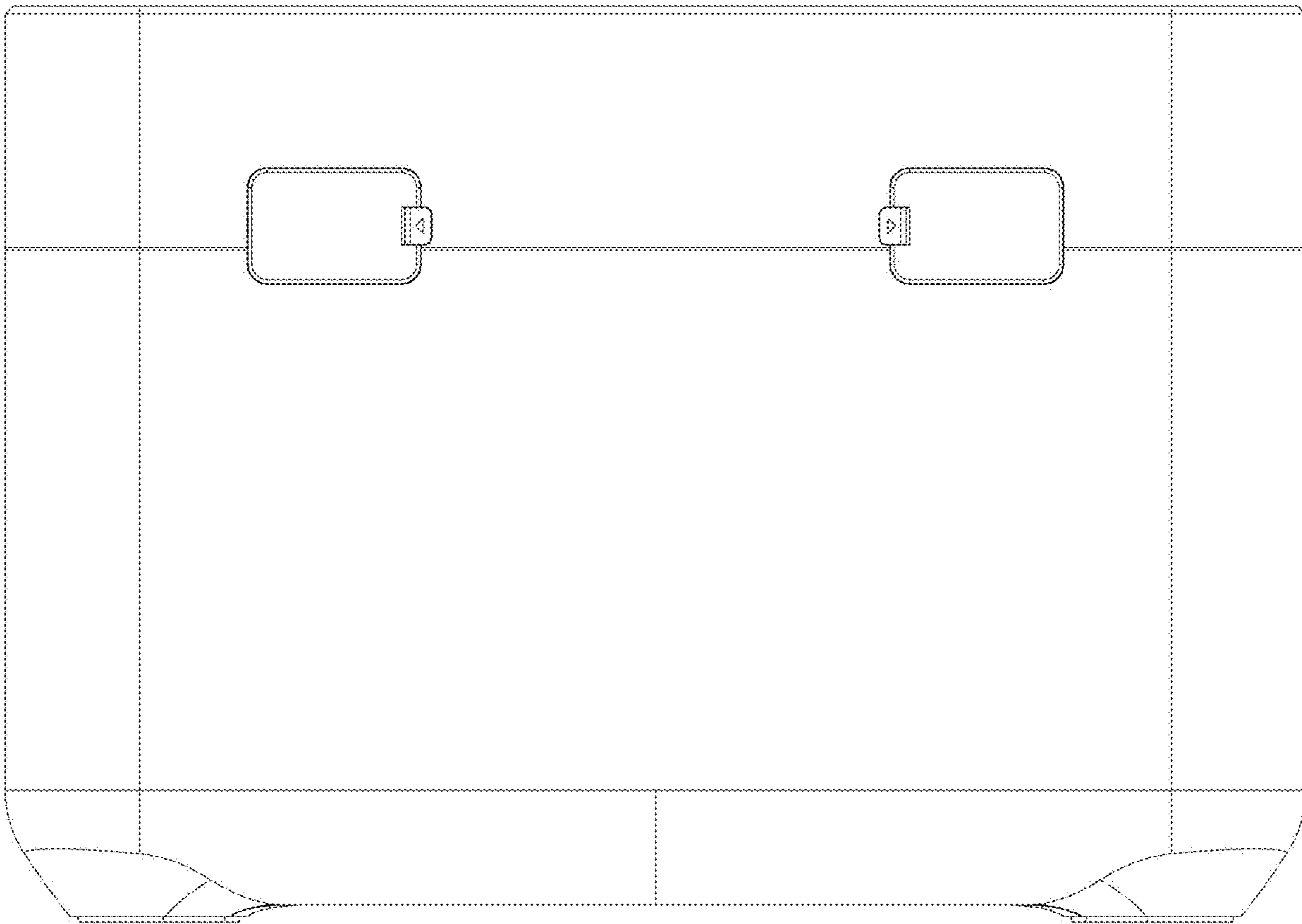
D897,284	S	*	9/2020	Sun	D13/103
D902,857	S	*	11/2020	Jia	D13/110
D911,953	S	*	3/2021	Yin	D13/103
D930,571	S	*	9/2021	Zhong	D13/102
D930,585	S	*	9/2021	Yu	D13/110
D938,354	S	*	12/2021	Sun	D13/110
D942,932	S	*	2/2022	Yin	D13/107
D942,940	S	*	2/2022	Lai	D13/103
D948,434	S	*	4/2022	Chen	D13/110
D949,098	S	*	4/2022	Wang	D13/116
D950,484	S	*	5/2022	Tan	D13/107
D955,329	S	*	6/2022	Yu	D13/103
D959,365	S	*	8/2022	Sun	D13/103
D961,503	S	*	8/2022	Fu	D13/107

* cited by examiner

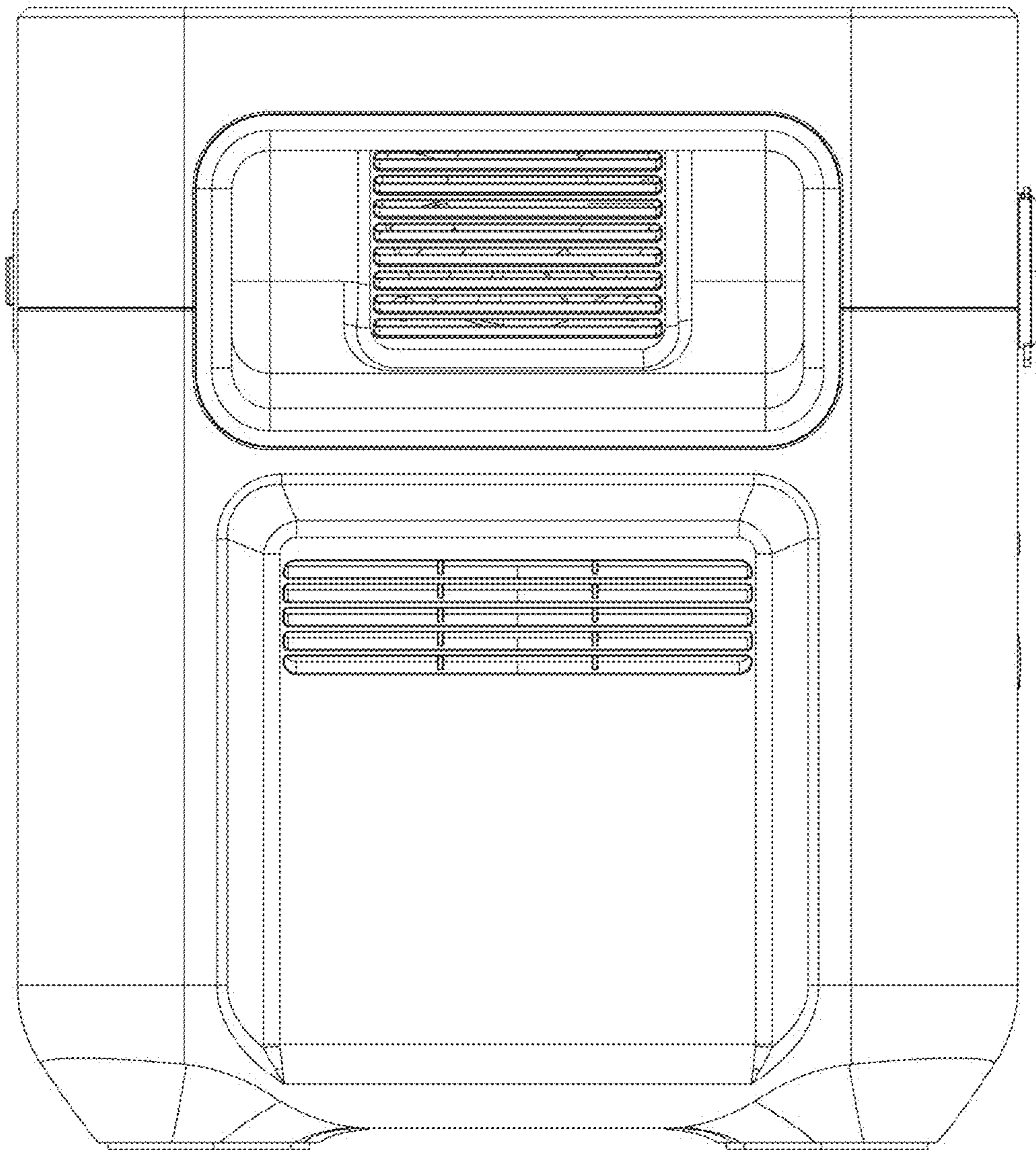
1.1



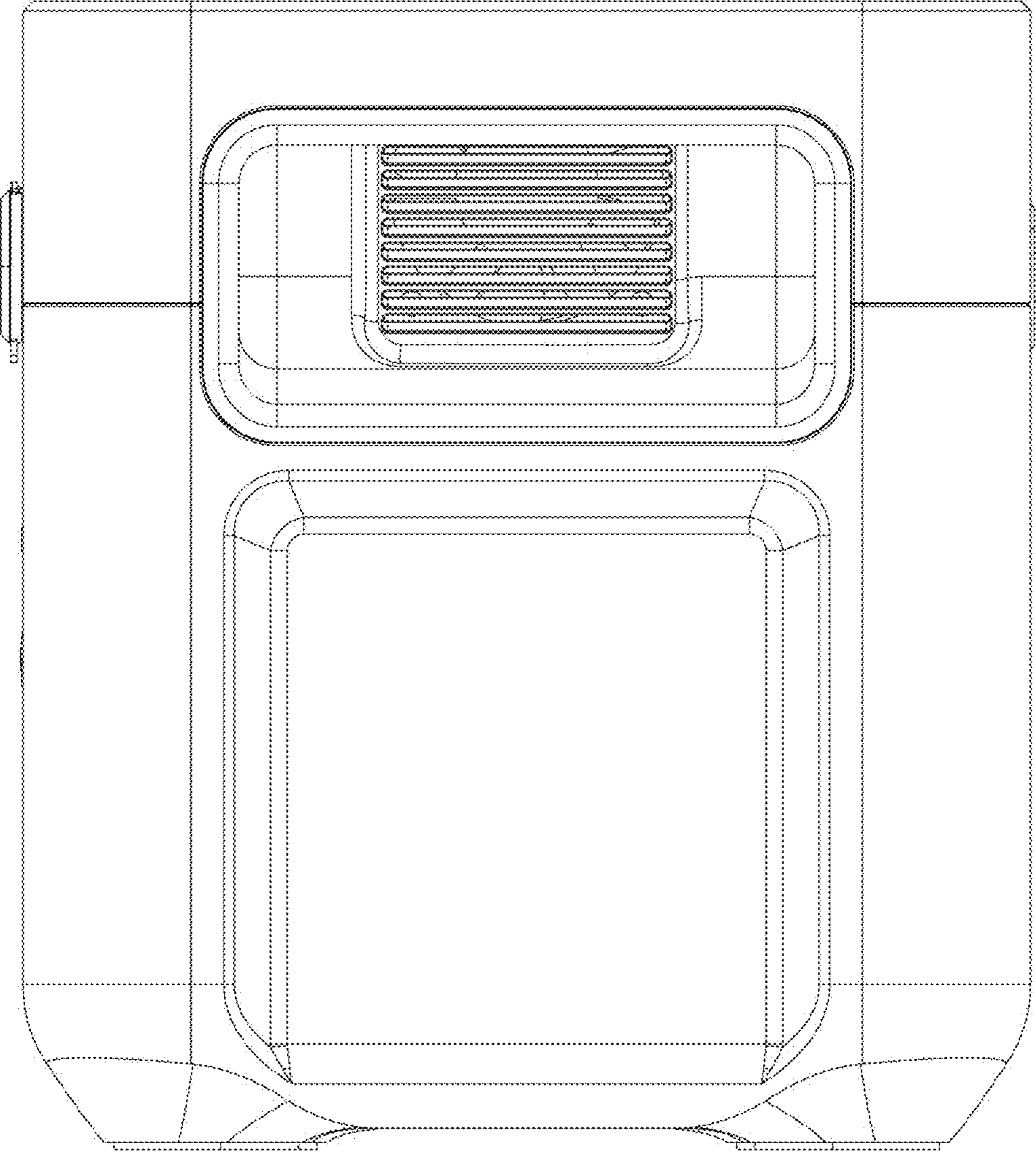
1.2



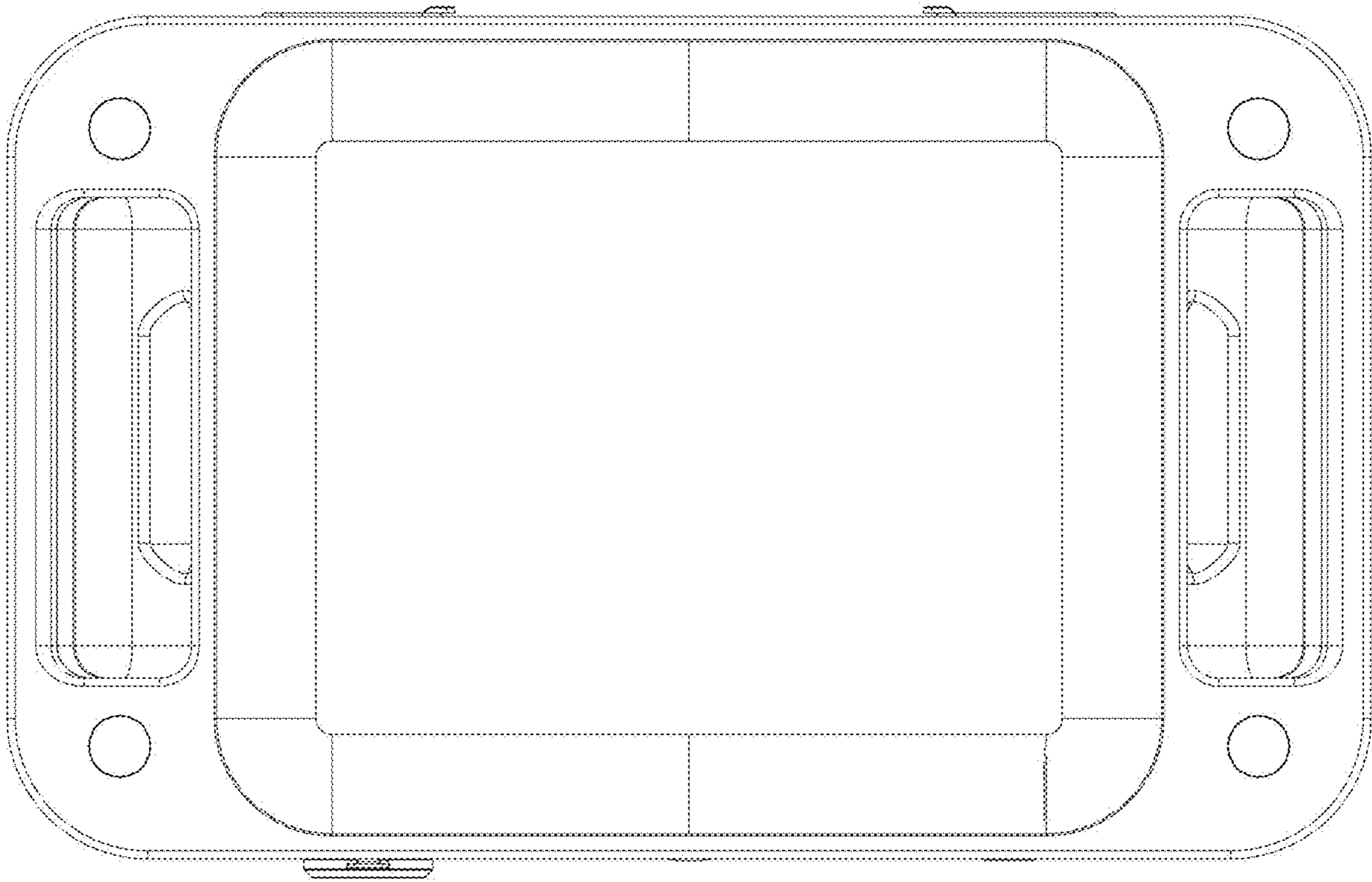
1.3



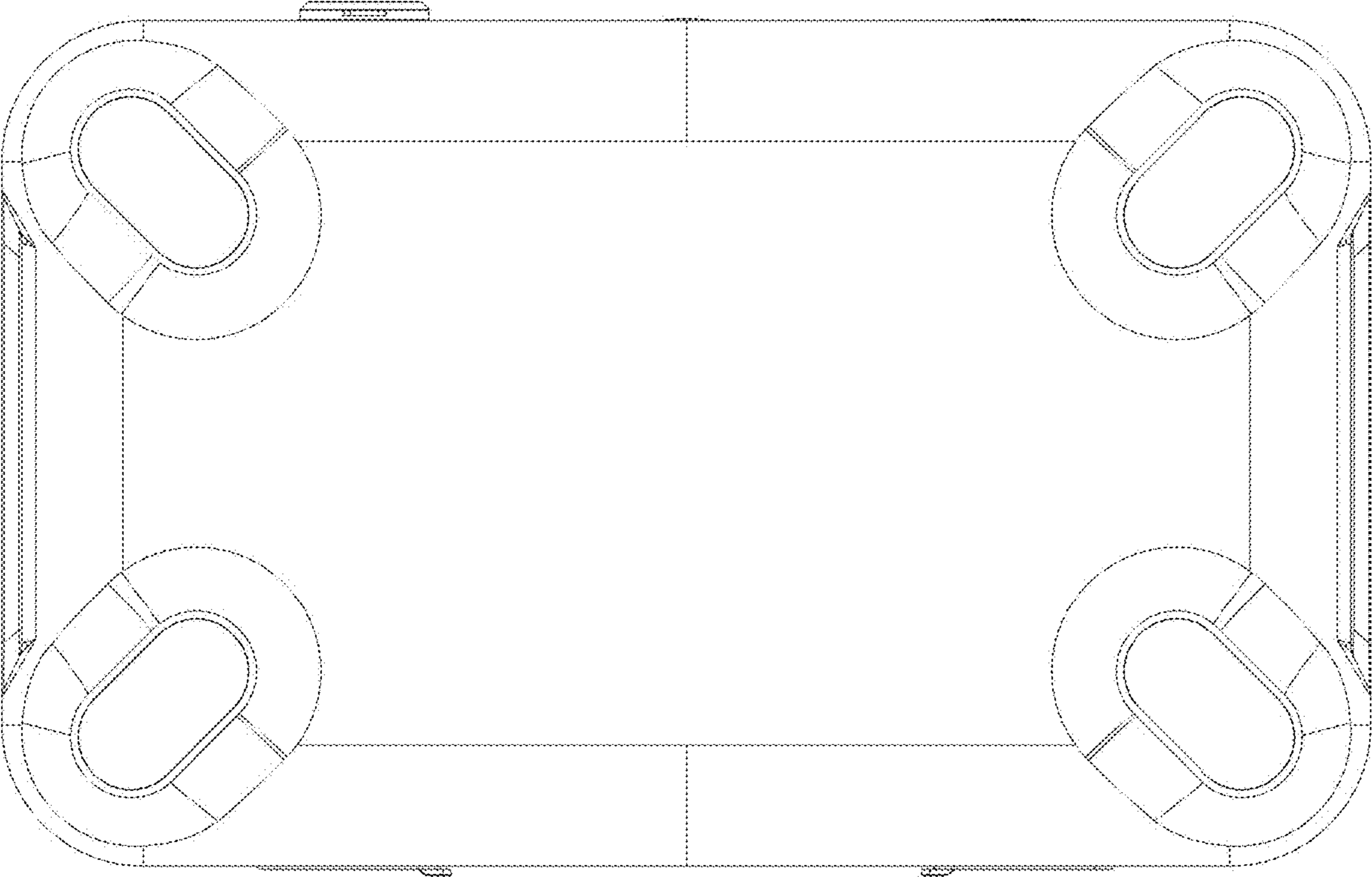
1.4



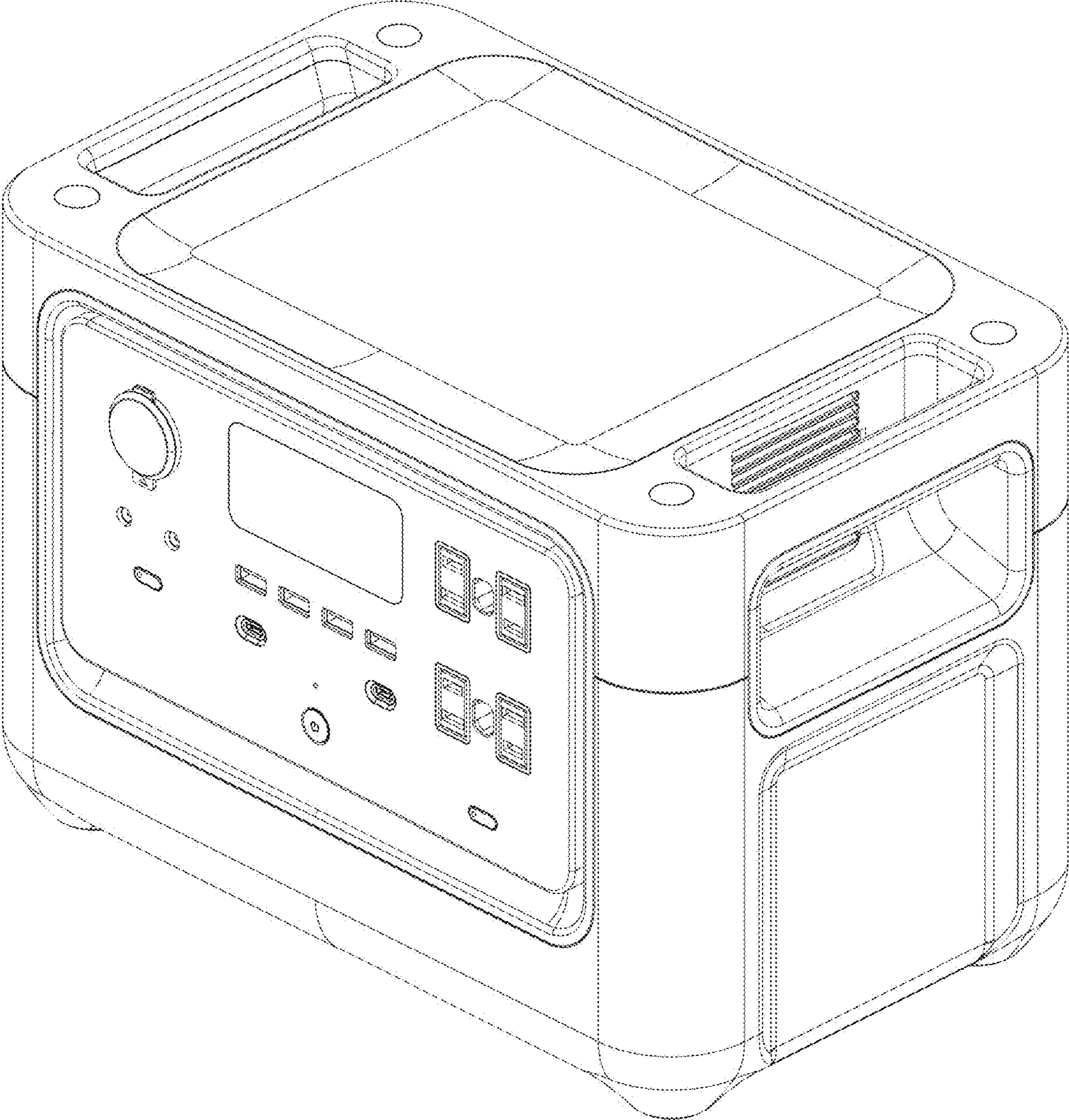
1.5



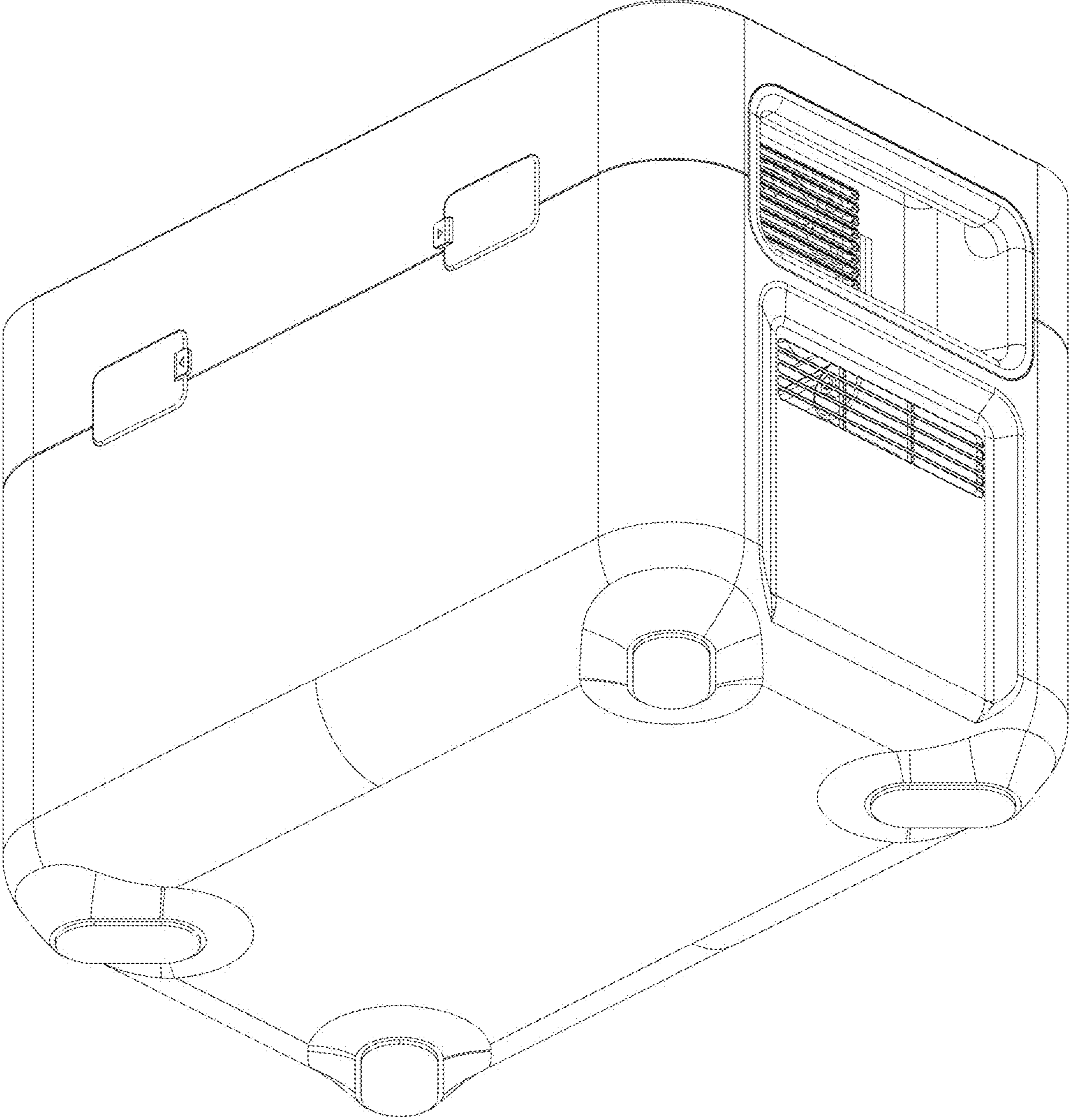
1.6



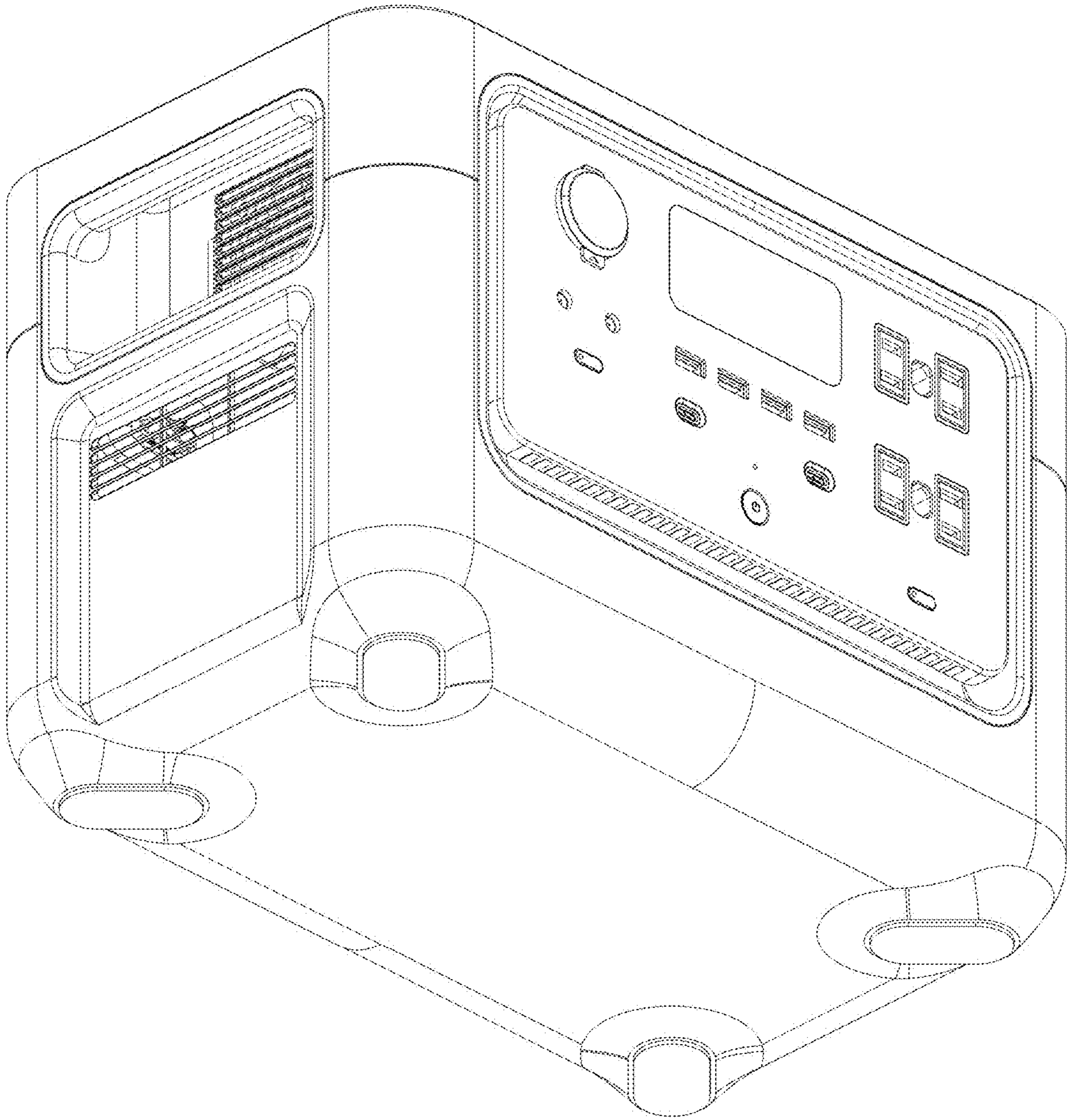
1.7



1.8



1.9



1.10

