



US00D977423S

(12) **United States Design Patent**  
**Yang**

(10) **Patent No.:** **US D977,423 S**

(45) **Date of Patent:** **\*\* Feb. 7, 2023**

(54) **CHARGER**

(71) Applicant: **Ming Yang**, Shenzhen (CN)

(72) Inventor: **Ming Yang**, Shenzhen (CN)

(\*\*) Term: **15 Years**

(21) Appl. No.: **29/856,934**

(22) Filed: **Oct. 18, 2022**

(51) **LOC (14) Cl.** ..... **13-02**

(52) **U.S. Cl.**  
USPC ..... **D13/108**

(58) **Field of Classification Search**  
USPC ..... D13/103, 107, 108, 118, 119, 183;  
D14/240, 251, 253, 432, 433, 434, 439,  
D14/447  
CPC ..... H04B 1/3877; H02J 7/00047; H02J 50/05  
See application file for complete search history.

(56) **References Cited**

U.S. PATENT DOCUMENTS

D852,134 S	*	6/2019	Mei	.....	D13/108
D875,043 S	*	2/2020	Yi	.....	D13/108
D881,123 S	*	4/2020	Zhang	.....	D13/108
D884,621 S	*	5/2020	Feng	.....	D13/108
D892,046 S	*	8/2020	Peng	.....	D13/108
D905,042 S	*	12/2020	Lim	.....	D14/434
10,879,723 B2	*	12/2020	Morrow	.....	H02J 7/027
D911,277 S	*	2/2021	Shang	.....	D13/108
D920,238 S		5/2021	Xiao et al.		
D920,239 S	*	5/2021	Cheng	.....	D13/108
D920,240 S		5/2021	Xiao et al.		
D946,515 S		3/2022	Zhang et al.		
D955,332 S	*	6/2022	Wang	.....	D13/108

2011/0306393	A1*	12/2011	Goldman	.....	H04M 1/04 345/173
2015/0196151	A1*	7/2015	Phipps	.....	F16M 11/24 211/85.2
2016/0261139	A1*	9/2016	Kidakarn	.....	H02J 7/0044

OTHER PUBLICATIONS

“Bauhoo Charger Station”. Found online Nov. 2, 2022 at amazon.com. Reference dated Jun. 2, 2022. Retrieved from <https://www.amazon.com/dp/B09Y94WDGZ/?th=1>. (Year: 2022).\*  
“Bauhoo Wireless Charger”. Found online Nov. 2, 2022 at amazon.com. Reference dated Dec. 4, 2021. Retrieved from <https://www.amazon.com/dp/B09LCTMGF9/?th=1>. (Year: 2021).\*  
“Maxfox Wireless Charger”. Found online Nov. 2, 2022 at amazon.com. Reference dated Jul. 14, 2022. Retrieved from <https://www.amazon.com/dp/B0B6H7GWGR/>. (Year: 2022).\*

\* cited by examiner

*Primary Examiner* — Kendra Leslie Hamilton  
*Assistant Examiner* — Amanda Christensen  
(74) *Attorney, Agent, or Firm* — Jeenam Park

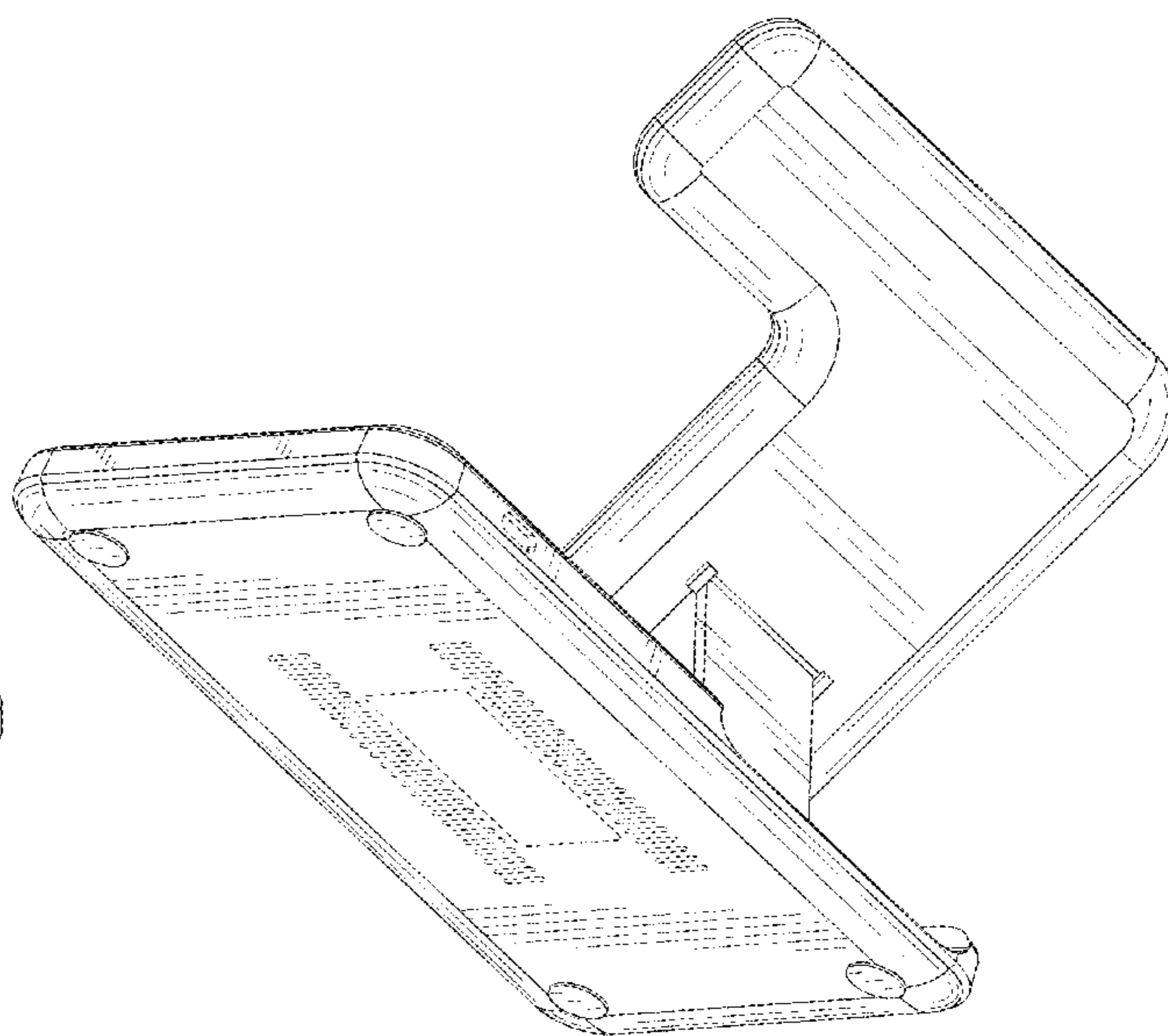
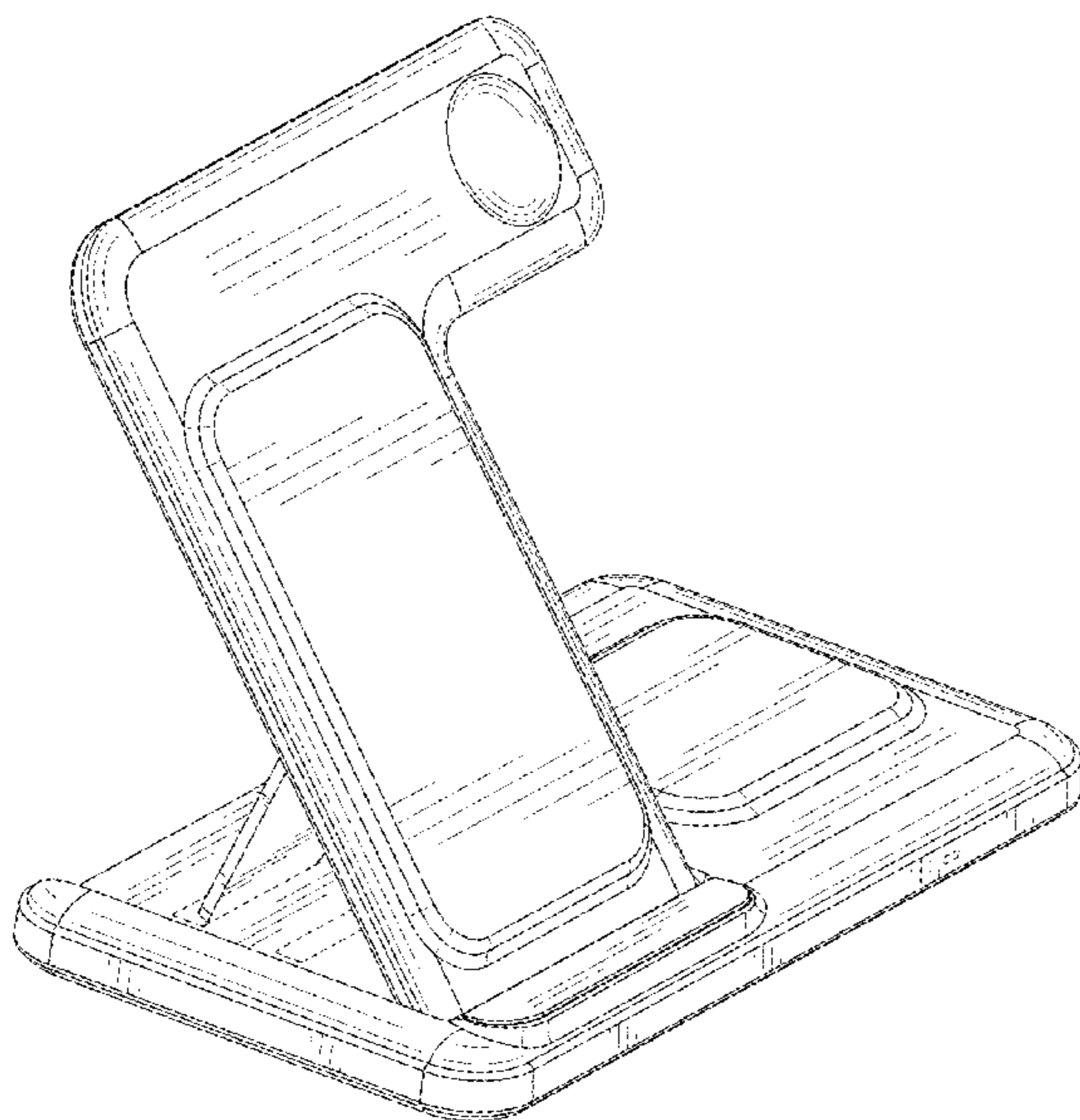
(57) **CLAIM**

The ornamental design for a charger, as shown and described.

**DESCRIPTION**

FIG. 1 is a front, left and top perspective view of a charger, showing my new design;  
FIG. 2 is a rear, right and bottom perspective view thereof;  
FIG. 3 is a front view thereof;  
FIG. 4 is a rear view thereof;  
FIG. 5 is a left side view thereof;  
FIG. 6 is a right side view thereof;  
FIG. 7 is a top plan view thereof; and,  
FIG. 8 is a bottom plan view thereof.  
The broken lines shown in the drawings illustrate portions of the charger that form no part of the claimed design.

**1 Claim, 8 Drawing Sheets**



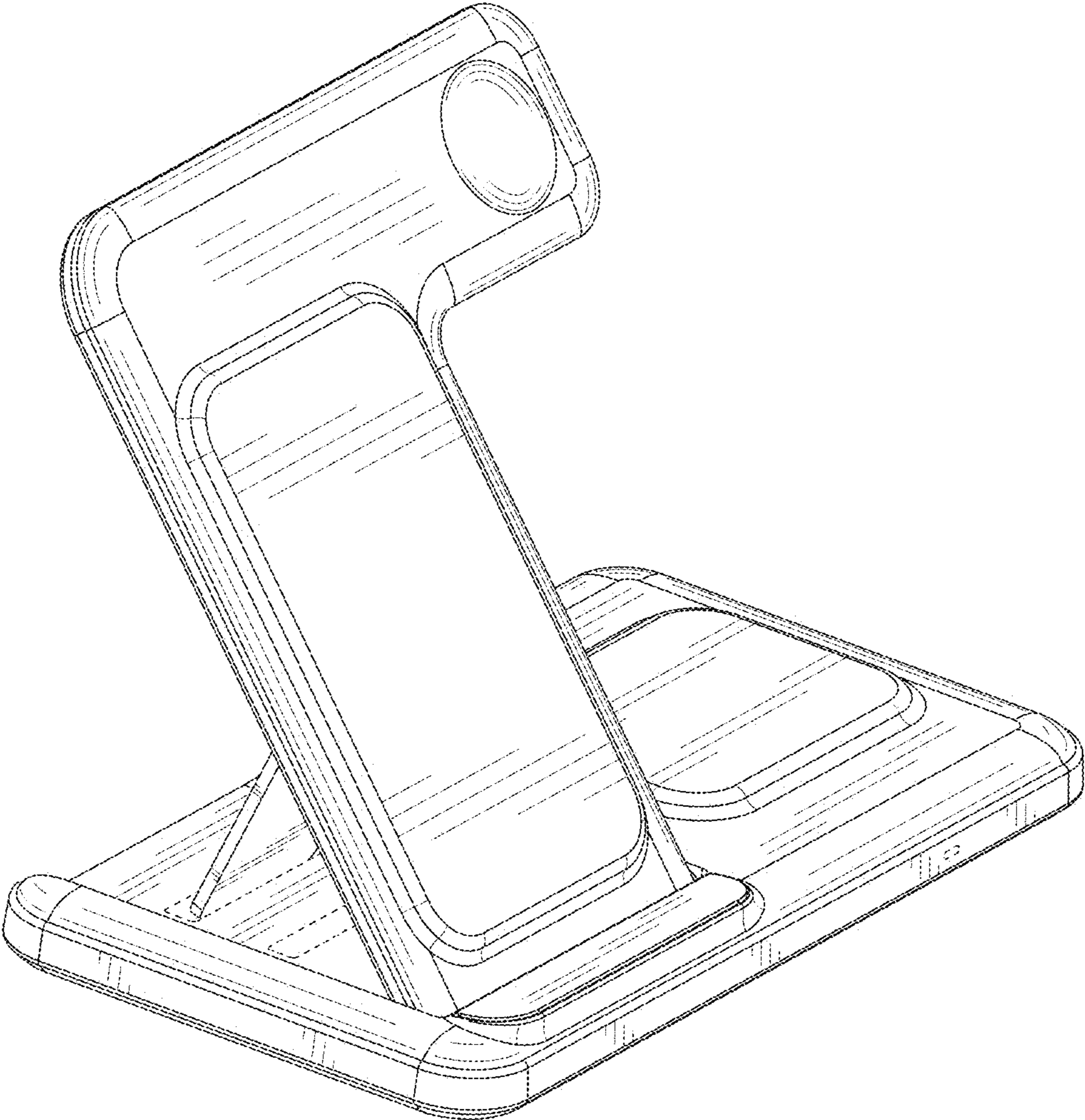


FIG. 1

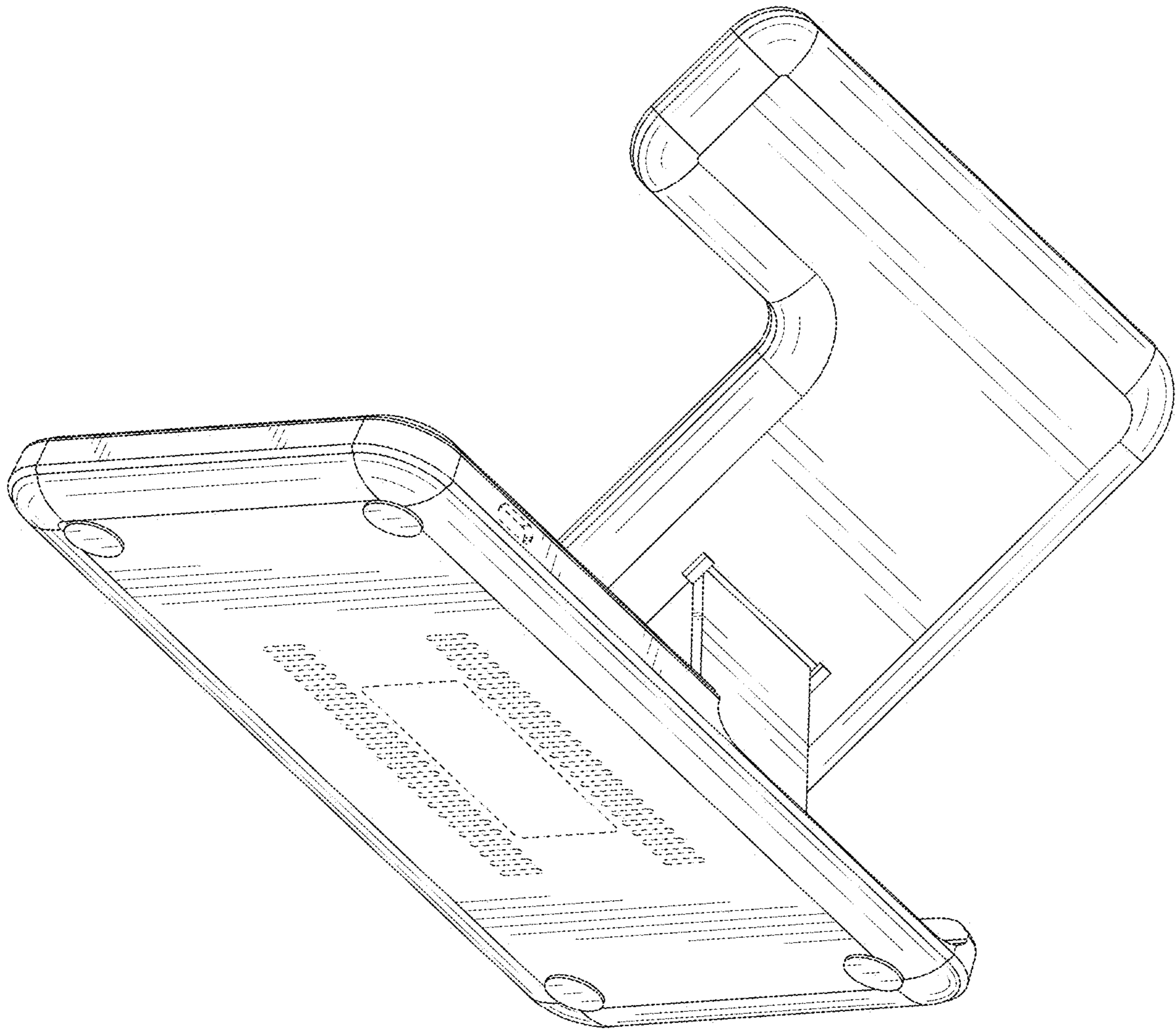


FIG. 2

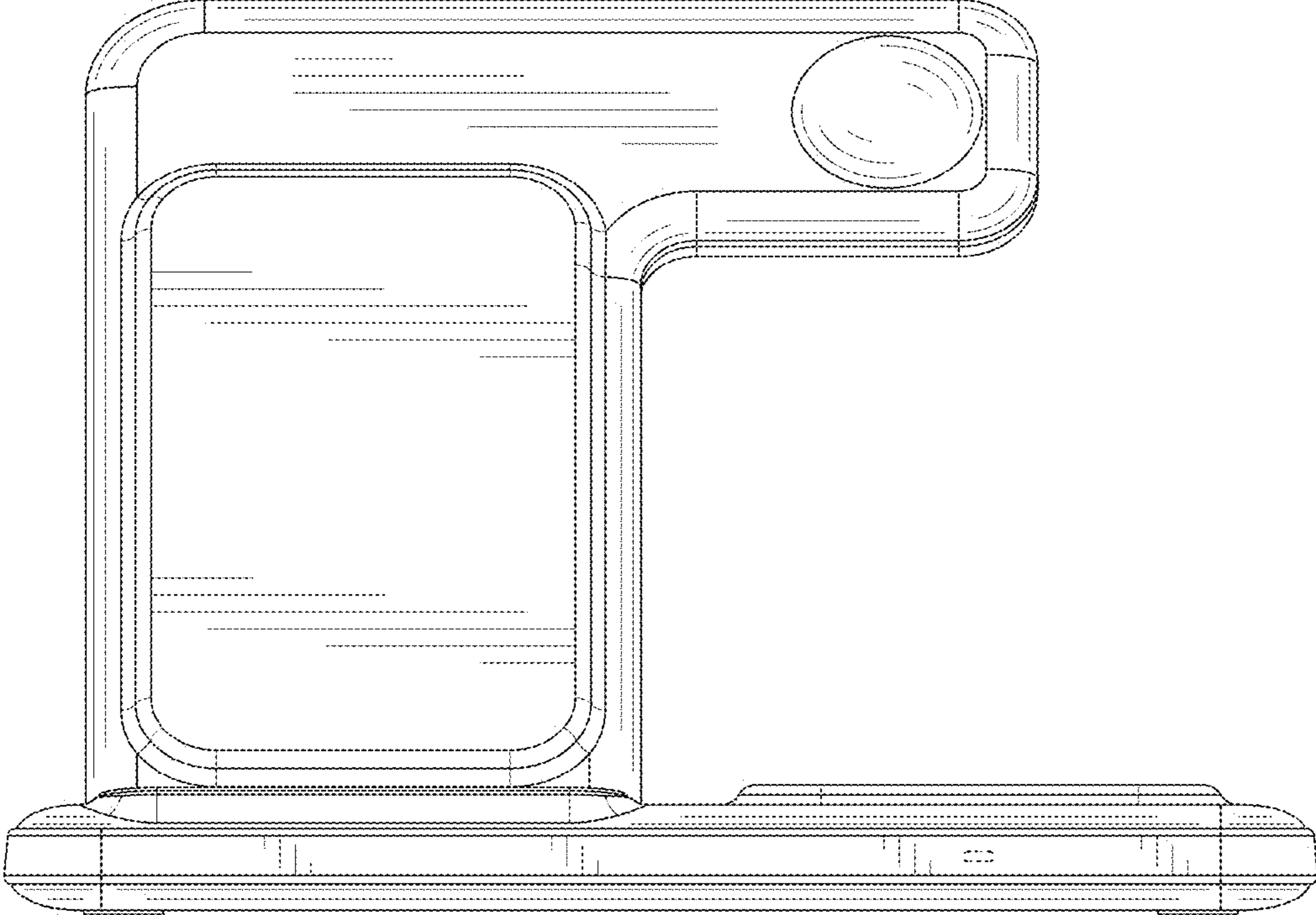


FIG. 3

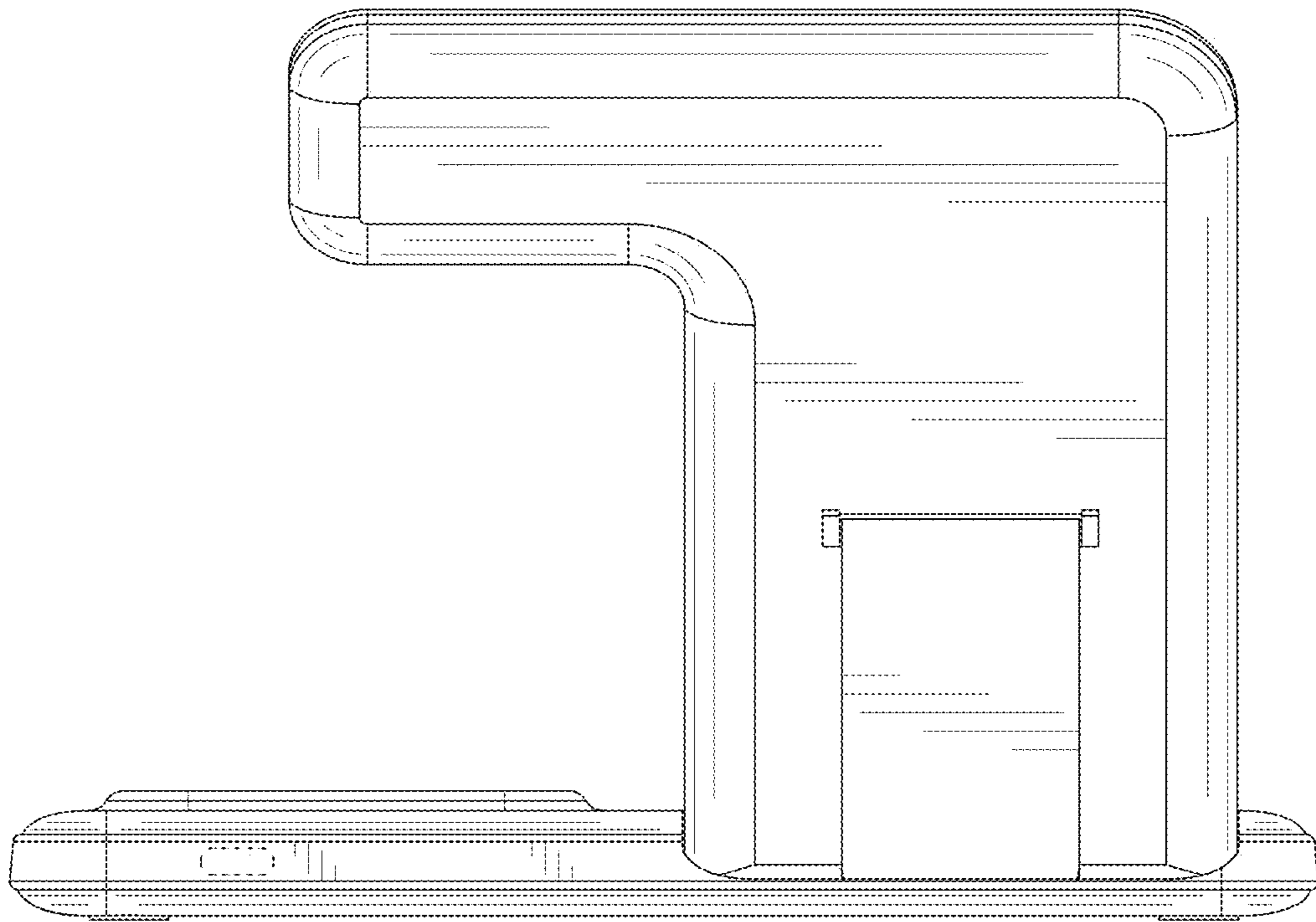


FIG. 4

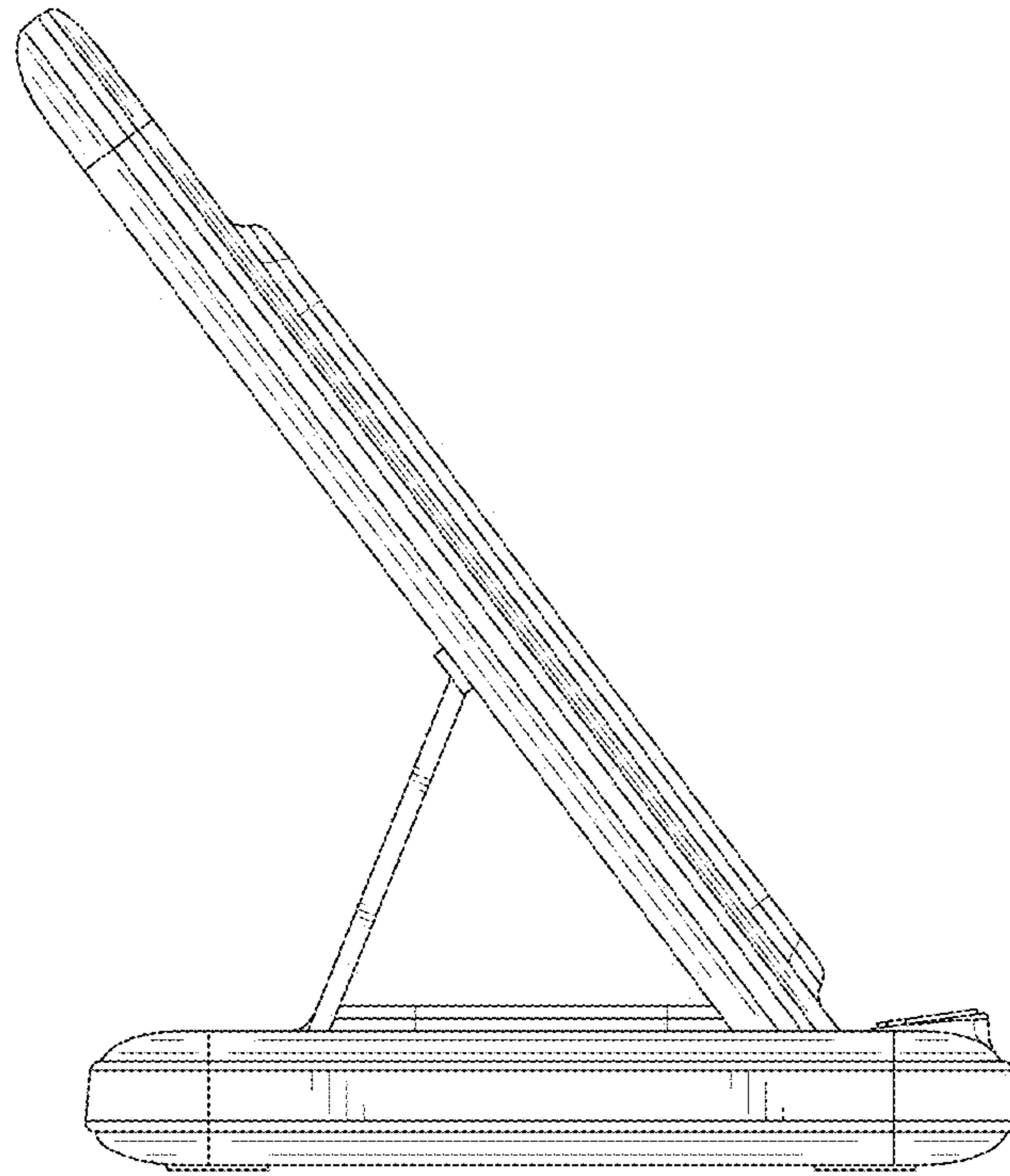


FIG. 5

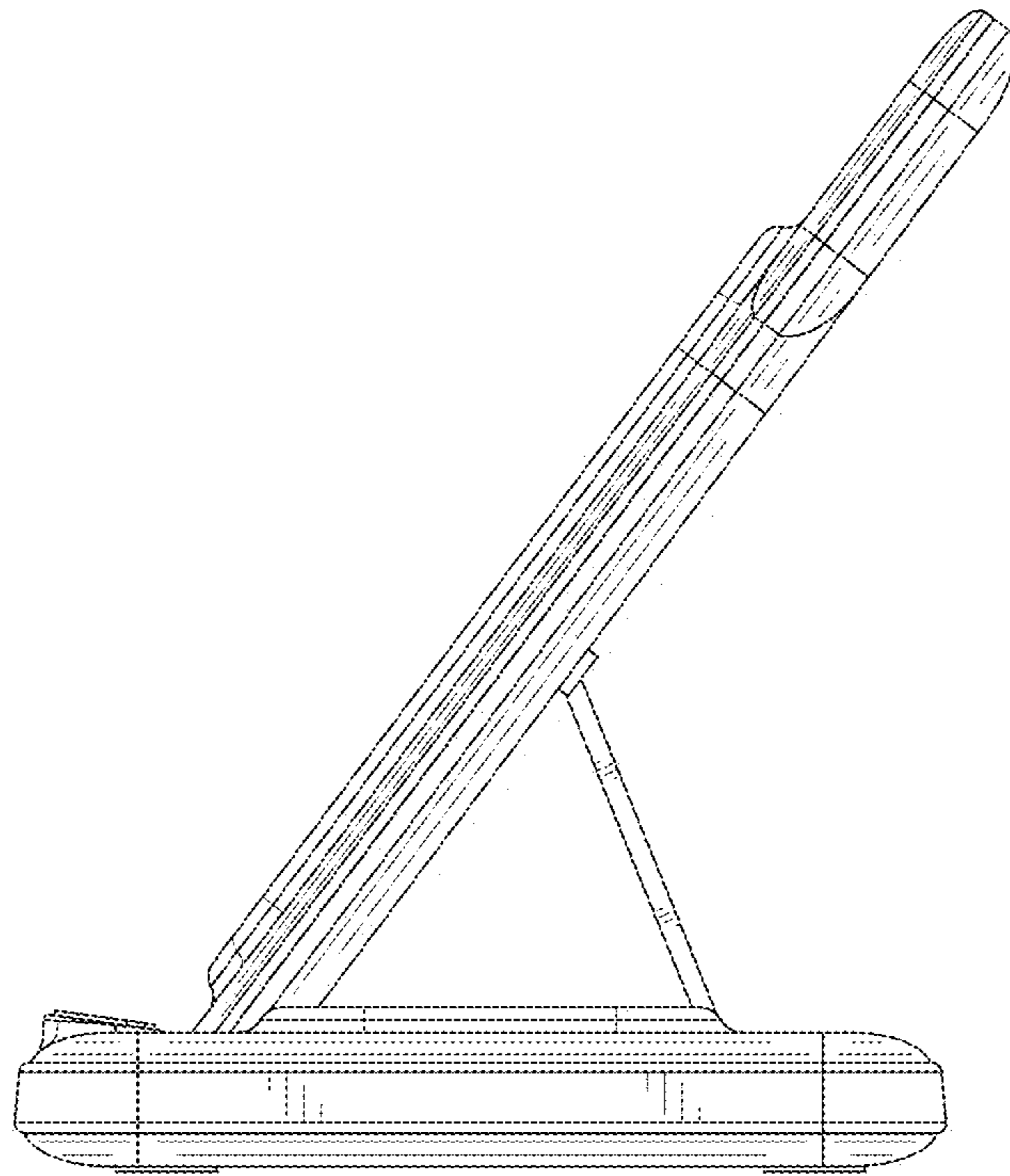


FIG. 6

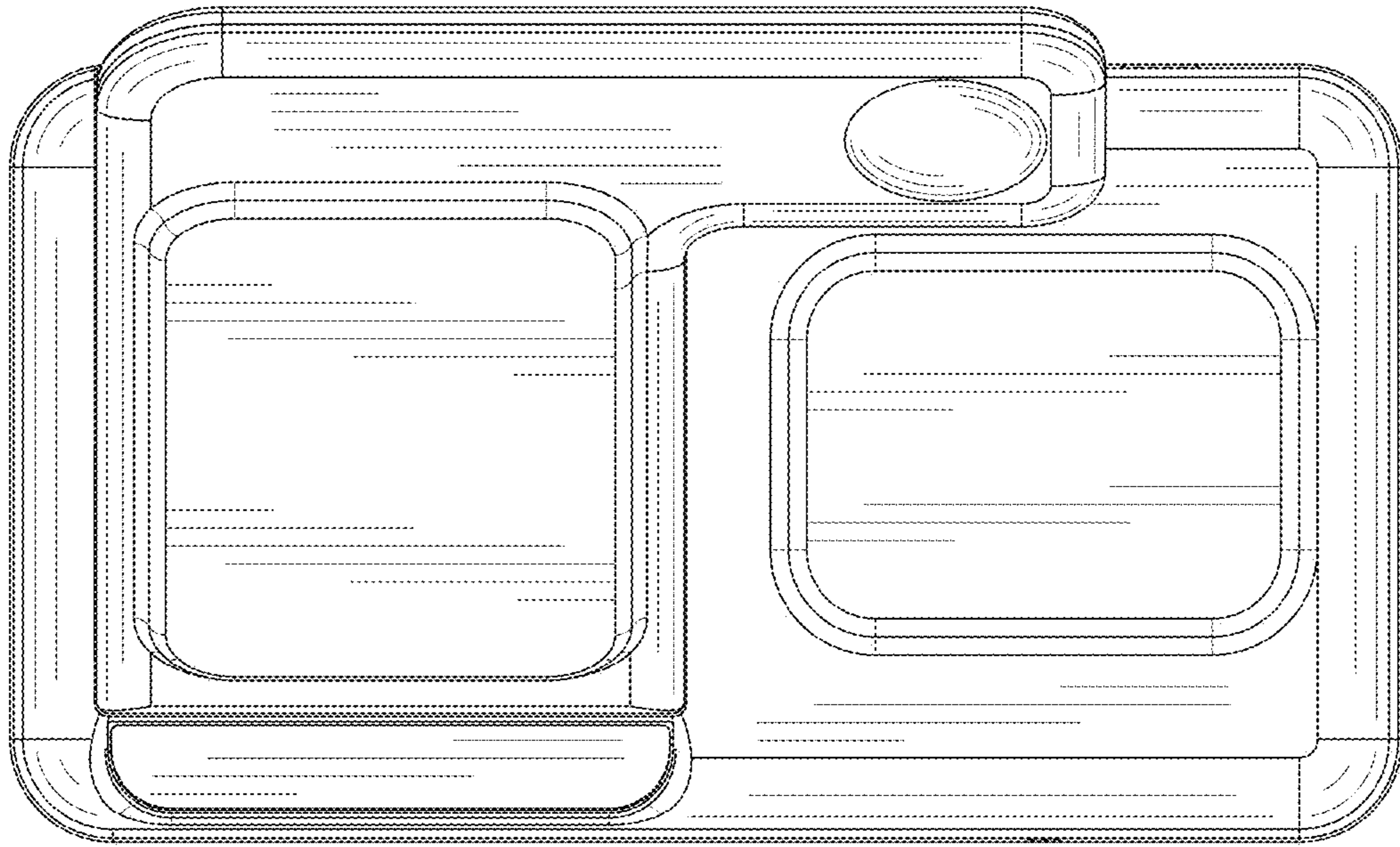


FIG. 7



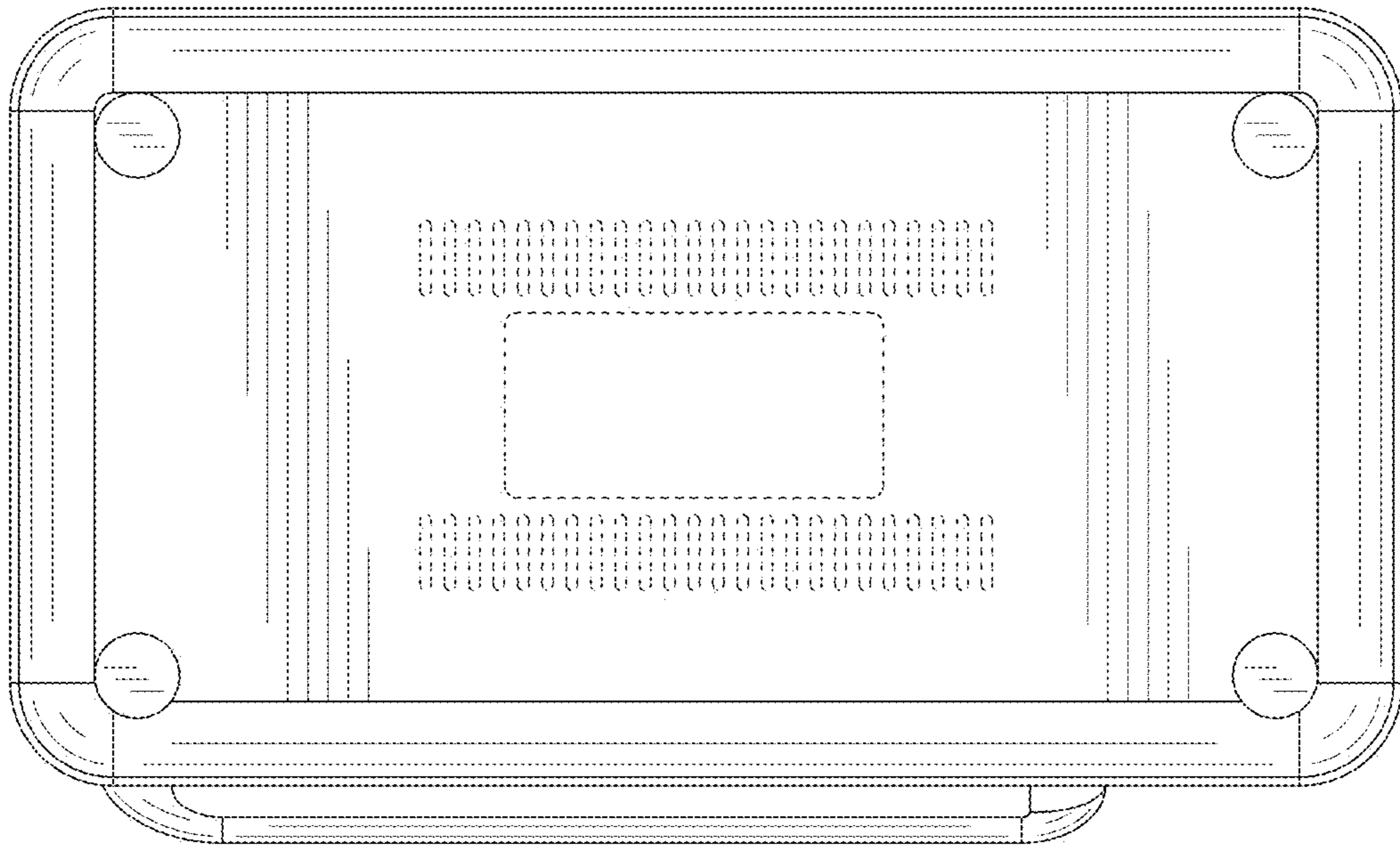


FIG. 8