

US00D977421S

(12) **United States Design Patent**
Muhlenkamp, IV et al.

(10) **Patent No.:** **US D977,421 S**
(45) **Date of Patent:** **** Feb. 7, 2023**

(54) **BATTERY CHARGER**

(71) Applicant: **GoPro, Inc.**, San Mateo, CA (US)

(72) Inventors: **John George Muhlenkamp, IV**,
Brisbane, CA (US); **Huy Phuong**
Nguyen, San Mateo, CA (US); **Heman**
Au, San Mateo, CA (US)

(73) Assignee: **GoPro, Inc.**, San Mateo, CA (US)

(**) Term: **15 Years**

(21) Appl. No.: **29/744,860**

(22) Filed: **Jul. 31, 2020**

(51) **LOC (14) Cl.** **13-02**

(52) **U.S. Cl.**
USPC **D13/108**

(58) **Field of Classification Search**
USPC D13/107-110, 118, 119, 184, 199, 163;
D14/251, 253, 432, 434, 447
CPC Y02E 60/12; H02J 7/025; H02J 7/0042;
H02J 7/0044; H02J 7/0045; H02J 7/0003;
H02J 7/0027; H02J 7/0013; H02J 7/0054;
H02J 7/00; H02J 2001/008; H02J 3/32;
H02J 3/008; H01F 38/14; H01R 13/6675;
H01M 2/1022; H01M 2/1055; H01M
10/44; H01M 10/46; H01M 10/425; B60L
11/182; B60L 11/1809; B60L 11/1861;
B60R 16/03

See application file for complete search history.

(56) **References Cited**

U.S. PATENT DOCUMENTS

D397,085 S *	8/1998	Blase	D13/118
D532,370 S *	11/2006	Shimizu	D13/108
D629,355 S *	12/2010	Bodley	D13/108
D762,577 S *	8/2016	Ovadia	D13/119
D806,019 S *	12/2017	Wang	D13/107
D813,806 S *	3/2018	Ito	D13/108

D816,028 S *	4/2018	Chen	D13/108
D822,597 S *	7/2018	Wai Hung	D13/107
D840,926 S *	2/2019	Howell	D13/107
D845,893 S *	4/2019	Kim	D13/107
D845,894 S *	4/2019	Clark	D13/103
D895,542 S *	9/2020	Bell	D13/108
D896,748 S *	9/2020	Fonzo	D13/107
D913,231 S *	3/2021	Zugen	D13/107
D921,084 S *	6/2021	Muhlenkamp, IV	D16/200
D926,679 S *	8/2021	Yang	D13/108
D929,936 S *	9/2021	Chen	D13/108
D931,803 S *	9/2021	Ge	D13/107
D935,997 S *	11/2021	Huang	D13/107
D938,908 S *	12/2021	Park	D13/107
D942,930 S *	2/2022	Bonilla	D13/107
D945,965 S *	3/2022	Wang	D13/108

(Continued)

Primary Examiner — Christy Nemeth

(74) *Attorney, Agent, or Firm* — Young Basile Hanlon & MacFarlane, P.C.

(57) **CLAIM**

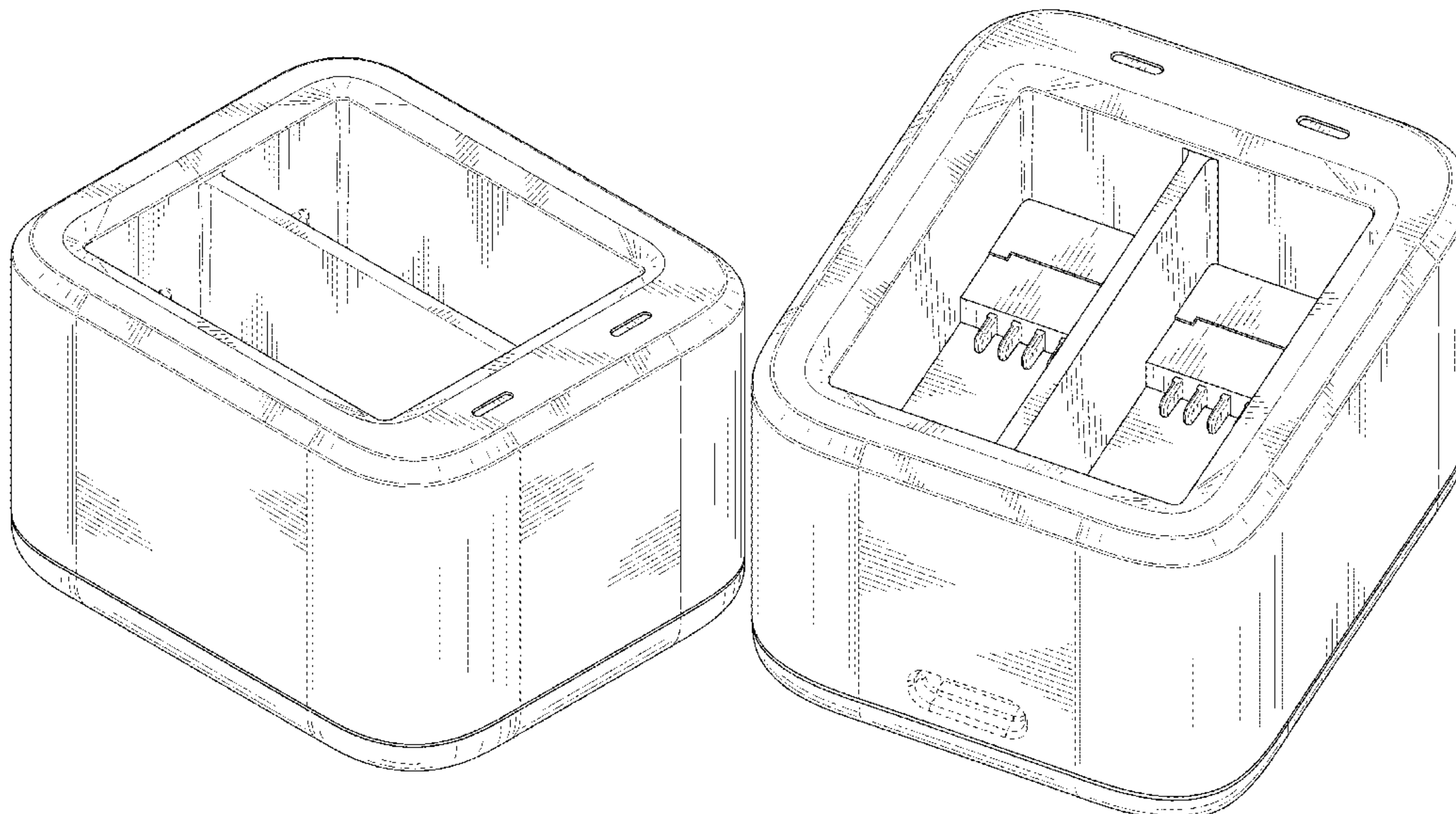
The ornamental design for a battery charger, as shown and described.

DESCRIPTION

FIG. 1 is a front, top, left perspective view of a battery charger of our new design;
FIG. 2 is a rear, top, left perspective view thereof;
FIG. 3 is a front view thereof;
FIG. 4 is a rear view thereof;
FIG. 5 is a left view thereof;
FIG. 6 is a right view thereof;
FIG. 7 is a top view thereof;
FIG. 8 is a bottom view thereof; and,
FIG. 9 is a cross-sectional view thereof taken along line 9-9 in FIG. 7.

The dash-dash broken lines in the drawings are for the purpose of illustrating portions of the article that form no part of the claimed design.

1 Claim, 9 Drawing Sheets



(56)

References Cited

U.S. PATENT DOCUMENTS

2006/0197495 A1* 9/2006 Bumiller H01R 13/6675
320/111
2011/0062911 A1* 3/2011 Lloyd H02J 7/0044
320/101
2015/0115173 A1* 4/2015 Kim H02J 7/0044
250/455.11

* cited by examiner

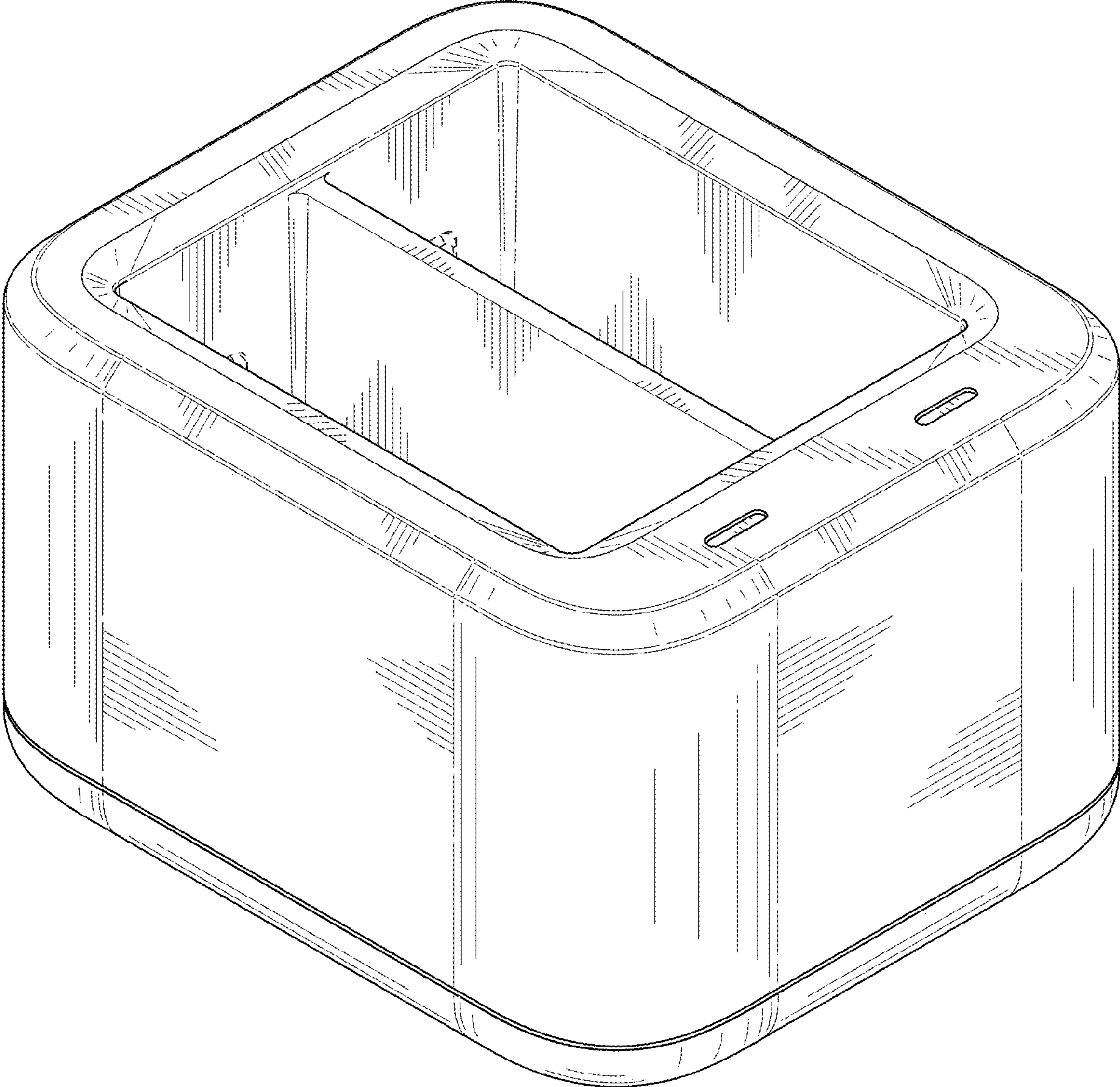


FIG. 1



FIG. 2

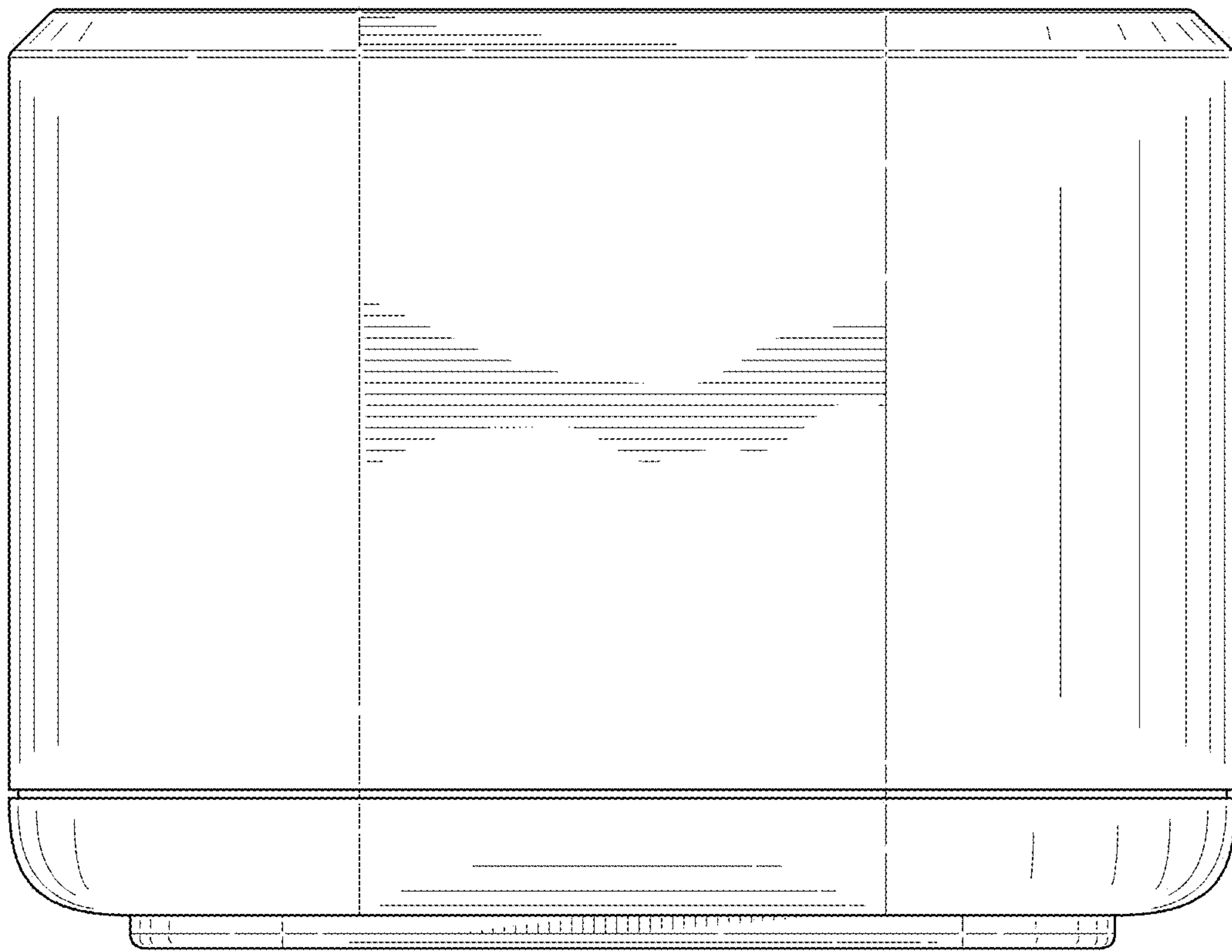


FIG. 3

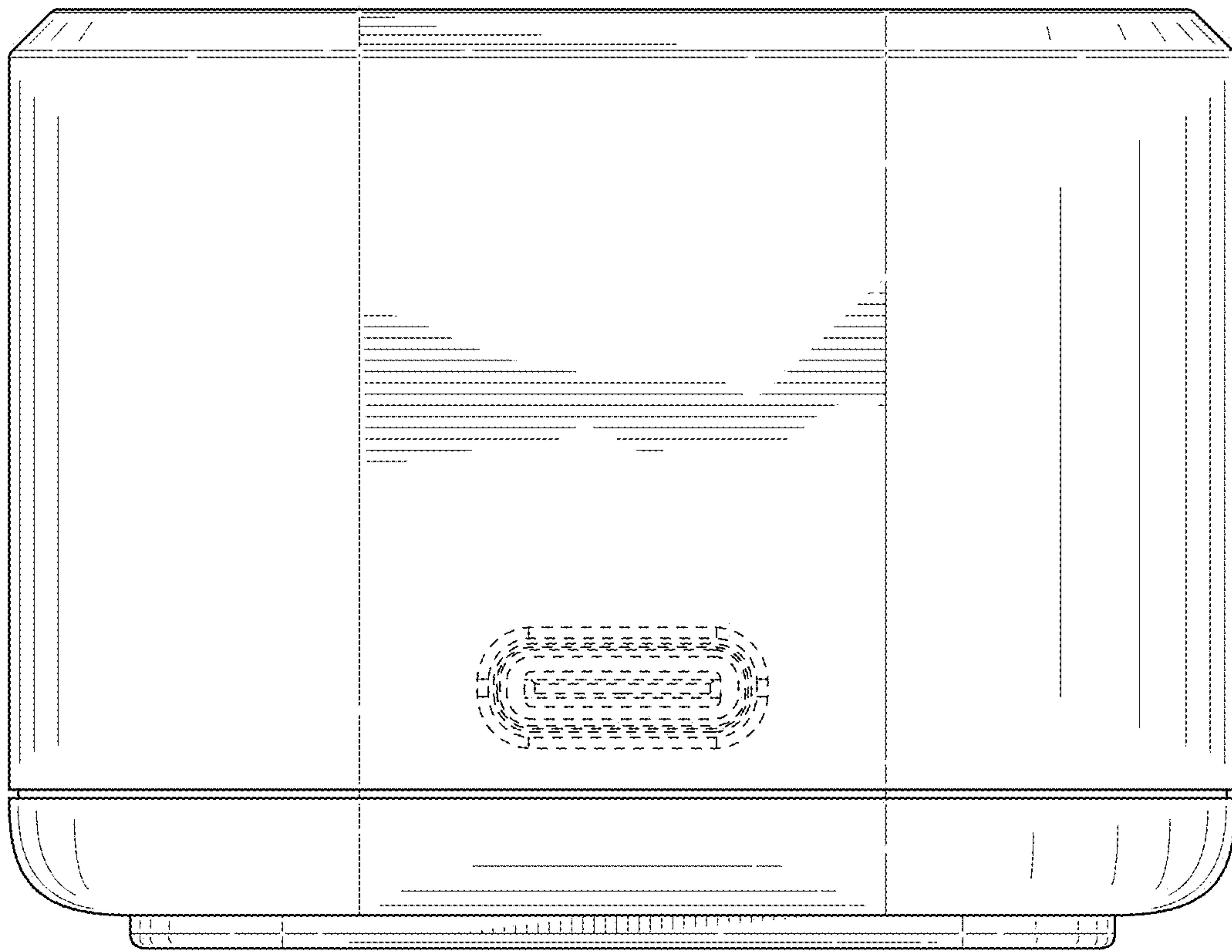


FIG. 4

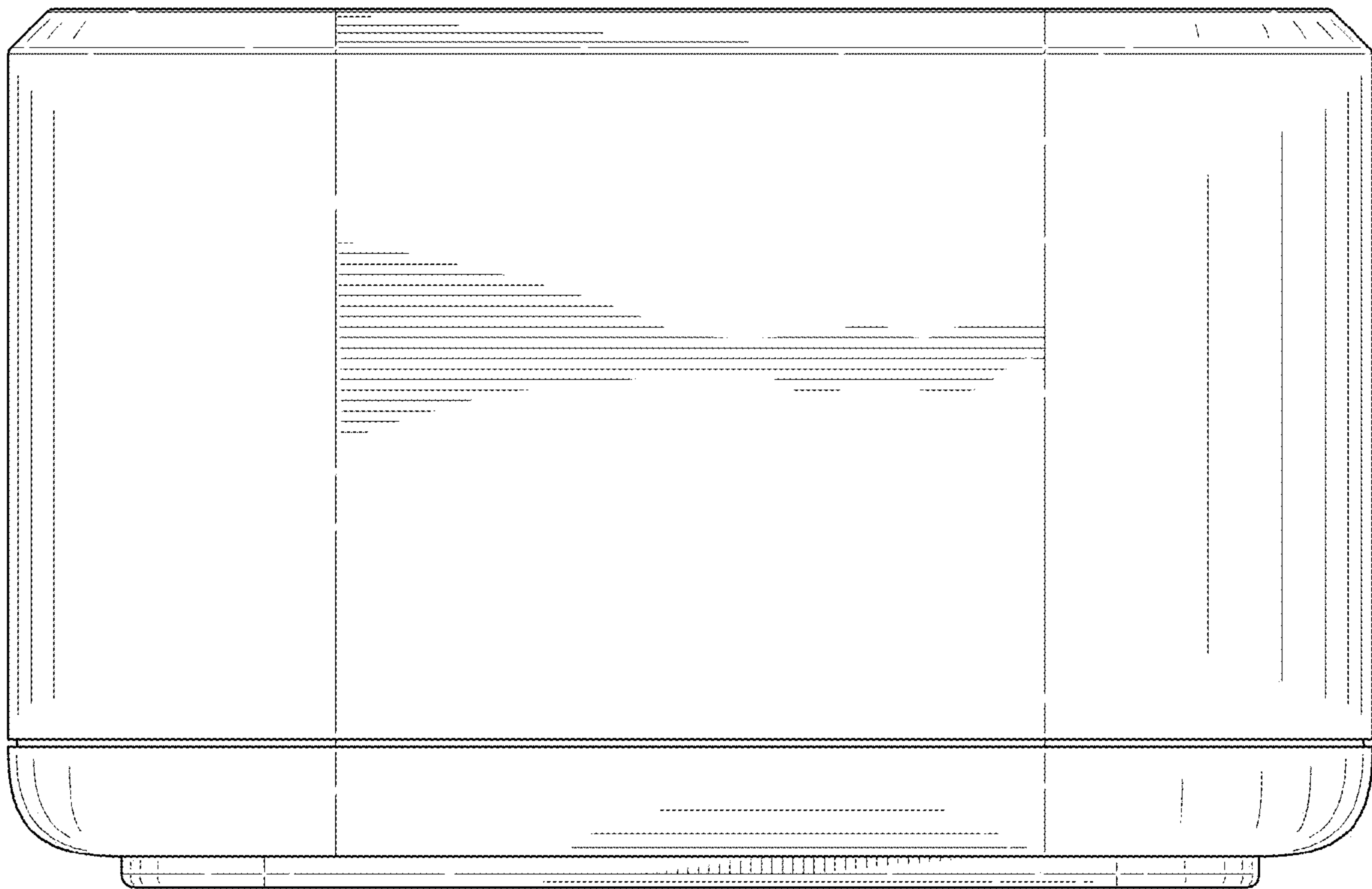


FIG. 5

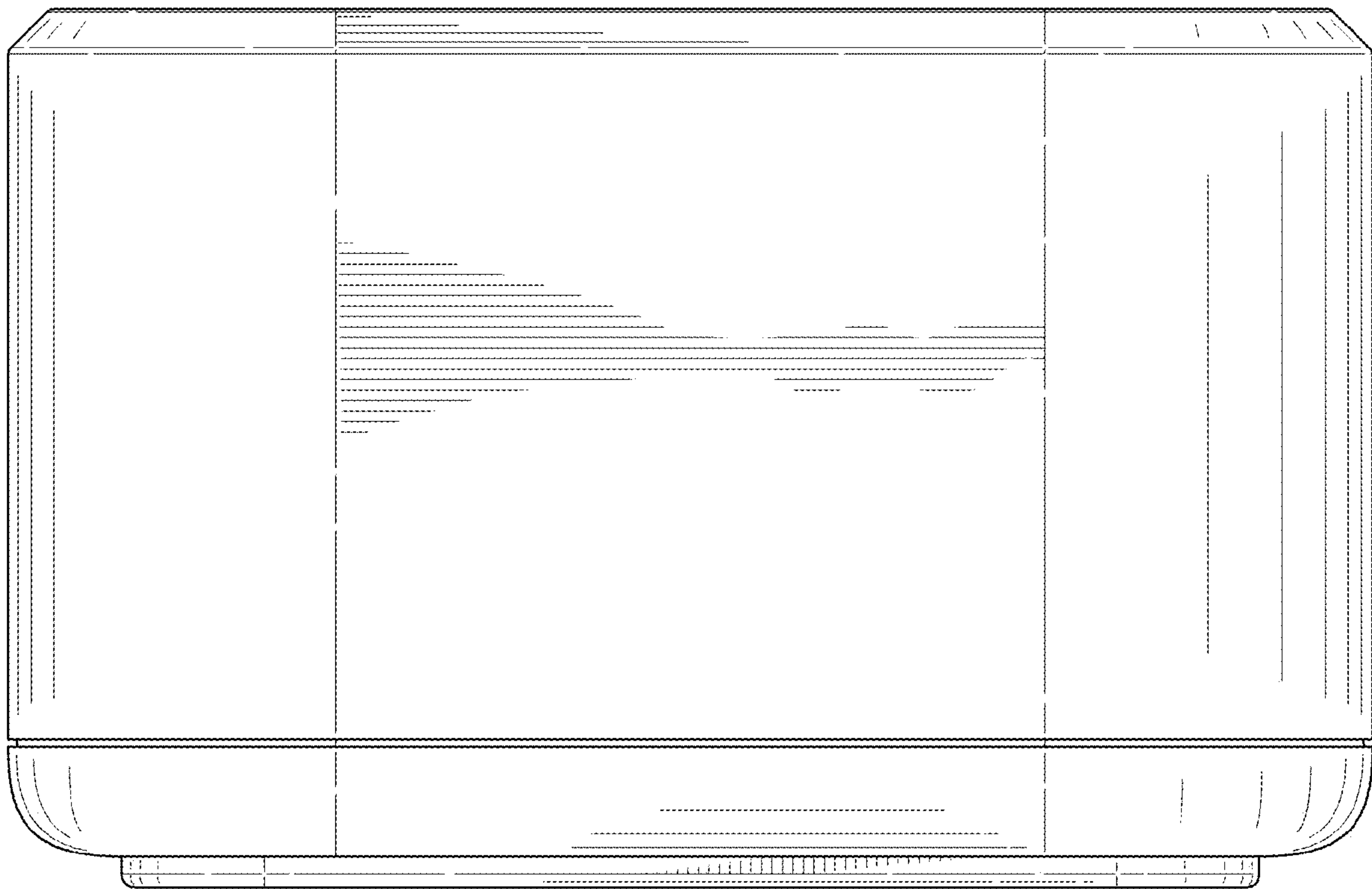


FIG. 6

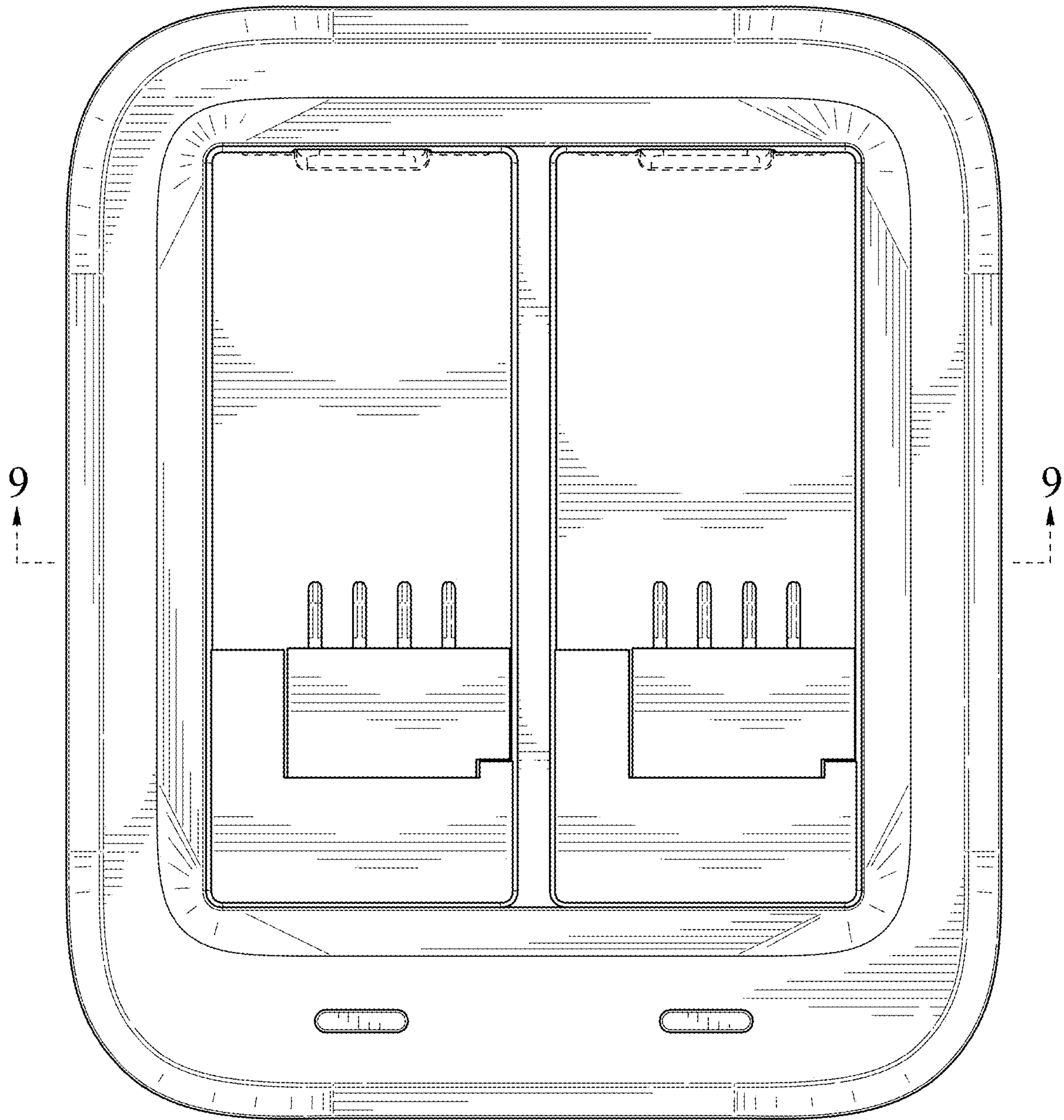


FIG. 7

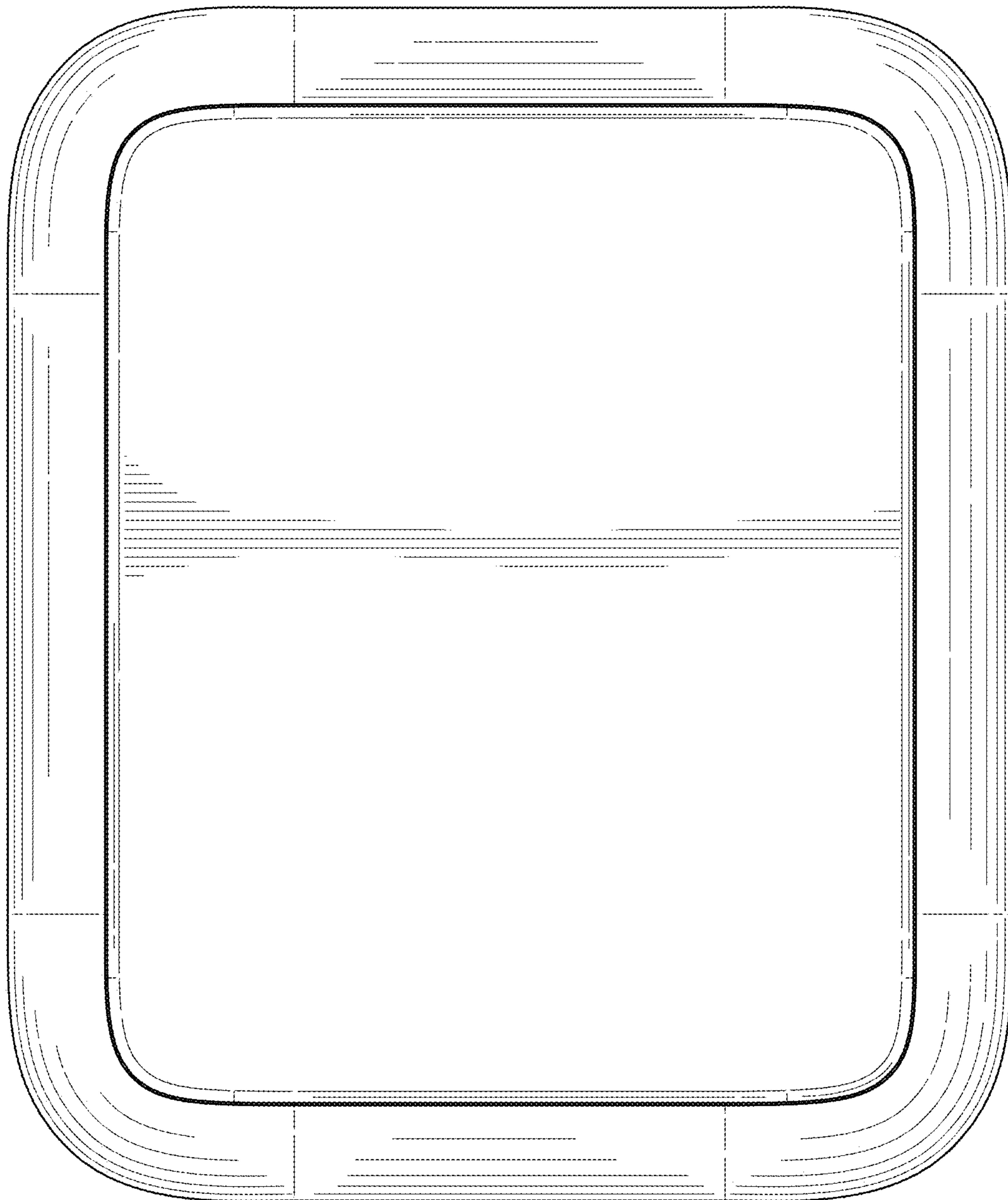


FIG. 8

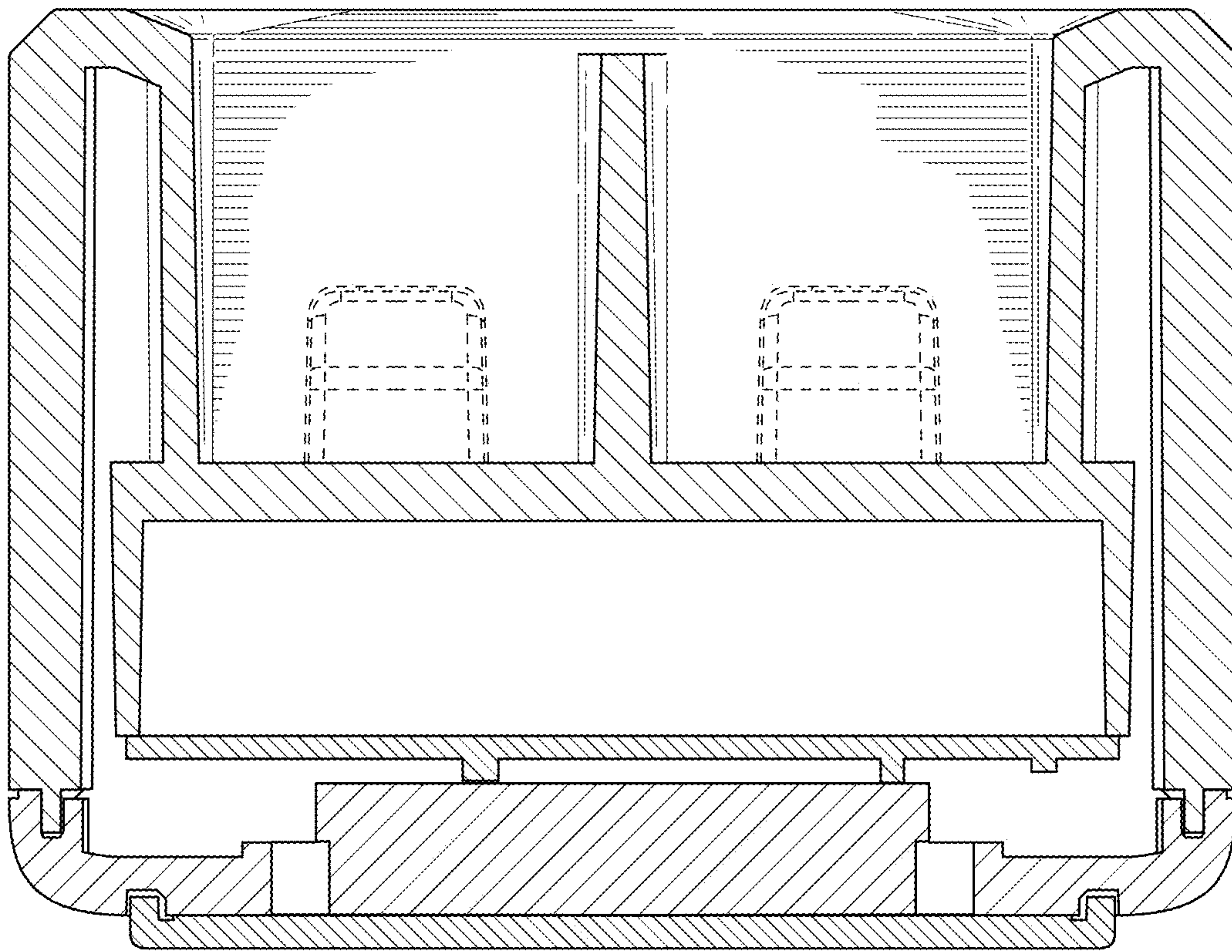


FIG. 9