



US00D977417S

(12) **United States Design Patent**  
**White**

(10) **Patent No.:** **US D977,417 S**

(45) **Date of Patent:** **\*\* Feb. 7, 2023**

(54) **CHARGING CASE FOR EARBUDS**

(71) Applicant: **MILWAUKEE ELECTRIC TOOL CORPORATION**, Brookfield, WI (US)

(72) Inventor: **Kevin D. White**, Milwaukee, WI (US)

(73) Assignee: **MILWAUKEE ELECTRIC TOOL CORPORATION**, Brookfield, WI (US)

(\*\*) Term: **15 Years**

(21) Appl. No.: **29/773,319**

(22) Filed: **Mar. 9, 2021**

(51) **LOC (14) Cl.** ..... **13-02**

(52) **U.S. Cl.**

USPC ..... **D13/107**

(58) **Field of Classification Search**

USPC ..... D13/103, 107, 108, 109, 110, 118, 119,  
D13/184, 199; D3/201, 205, 208, 218,  
D3/273, 274, 294

CPC .. H02J 50/00; H02J 50/10; H02J 50/12; H02J  
50/80; H02J 50/40; H02J 50/402; H02J  
50/007; H02J 50/0027; H02J 7/025; H02J  
7/005; H02J 7/0026; H02J 7/0042; H02J  
7/0044; H02J 7/0045; H02J 7/0013; H02J  
7/0003; A45C 2011/001; A45C 2011/002;  
A45C 2011/003

See application file for complete search history.

(56) **References Cited**

**U.S. PATENT DOCUMENTS**

D929,735	S	*	9/2021	Cruice	.....	D27/189
D931,206	S	*	9/2021	Briggs	.....	D3/294
D931,212	S	*	9/2021	Briggs	.....	D3/294
D934,839	S	*	11/2021	Zhong	.....	D14/223
D944,524	S	*	3/2022	Laffon de Mazieres	.....	D3/294
D945,963	S	*	3/2022	Wu	.....	D3/294
D946,895	S	*	3/2022	Xie	.....	D3/294
D949,470	S	*	4/2022	Liu	.....	D27/187
D949,785	S	*	4/2022	Wu	.....	D3/298
D949,868	S	*	4/2022	Li	.....	D14/440
D952,610	S	*	5/2022	Deng	.....	D3/274
D953,265	S	*	5/2022	Birger	.....	D14/223
D953,303	S	*	5/2022	Chen	.....	D14/223

**OTHER PUBLICATIONS**

Charging Cases. (Design—© Questel) orbit.com. [Online PDF compilation of references] 58 pgs. Print Dates Range Nov. 30, 2021-Dec. 7, 2021 [Retrieved Jun. 17, 2022].\*

Wireless Earbud Bluetooth. Aug. 5, 2021. Amazon. [https://www.amazon.com/Ordtop-Wireless-Earbuds-Bluetooth-Headphones/dp/B09BYJLZ16/ref=sxin\\_14\\_pa\\_sp\\_search\\_thematic\\_sspa?content-id=amzn1.sym.33078e3b-1586-4a62-bcc8-7f1d693663cf%3Aamzn1.sym.33078e3b-1586-4a62-bcc8-7f1d693663cf&crd=392A4S7TO5CXH&cv\\_ct\\_cx=earbud+cha.\\*](https://www.amazon.com/Ordtop-Wireless-Earbuds-Bluetooth-Headphones/dp/B09BYJLZ16/ref=sxin_14_pa_sp_search_thematic_sspa?content-id=amzn1.sym.33078e3b-1586-4a62-bcc8-7f1d693663cf%3Aamzn1.sym.33078e3b-1586-4a62-bcc8-7f1d693663cf&crd=392A4S7TO5CXH&cv_ct_cx=earbud+cha.*)

Wireless Earbuds Nurbenn Bluetooth. Before Nov. 15, 2018. NewEgg. [https://www.newegg.com/p/0G6-03PK-00008.\\*](https://www.newegg.com/p/0G6-03PK-00008.*)

Ardilla Tws T8 Wireless Earbuds Power Bank Led Display Bluetooth Headset. Before Nov. 2020. FlipKart. [https://www.flipkart.com/ardilla-tws-t8-wireless-earbuds-power-bank-led-display-bluetooth-headset/product-reviews/itm8a0995fd01058?pid=ACCFXQZEQHHPFYZG&page=3.\\*](https://www.flipkart.com/ardilla-tws-t8-wireless-earbuds-power-bank-led-display-bluetooth-headset/product-reviews/itm8a0995fd01058?pid=ACCFXQZEQHHPFYZG&page=3.*)

\* cited by examiner

*Primary Examiner* — George D. Kirschbaum

*Assistant Examiner* — Suzanne E Tisdell

(74) *Attorney, Agent, or Firm* — Michael Best & Friedrich LLP

(57) **CLAIM**

I claim the ornamental design for a charging case for earbuds, as shown and described.

**DESCRIPTION**

FIG. 1 is a top perspective view of a charging case for earbuds in accordance with an embodiment of the invention. FIG. 2 is a bottom perspective view of the charging case of FIG. 1.

FIG. 3 is a left-side view of the charging case of FIG. 1.

FIG. 4 is a right-side view of the charging case of FIG. 1.

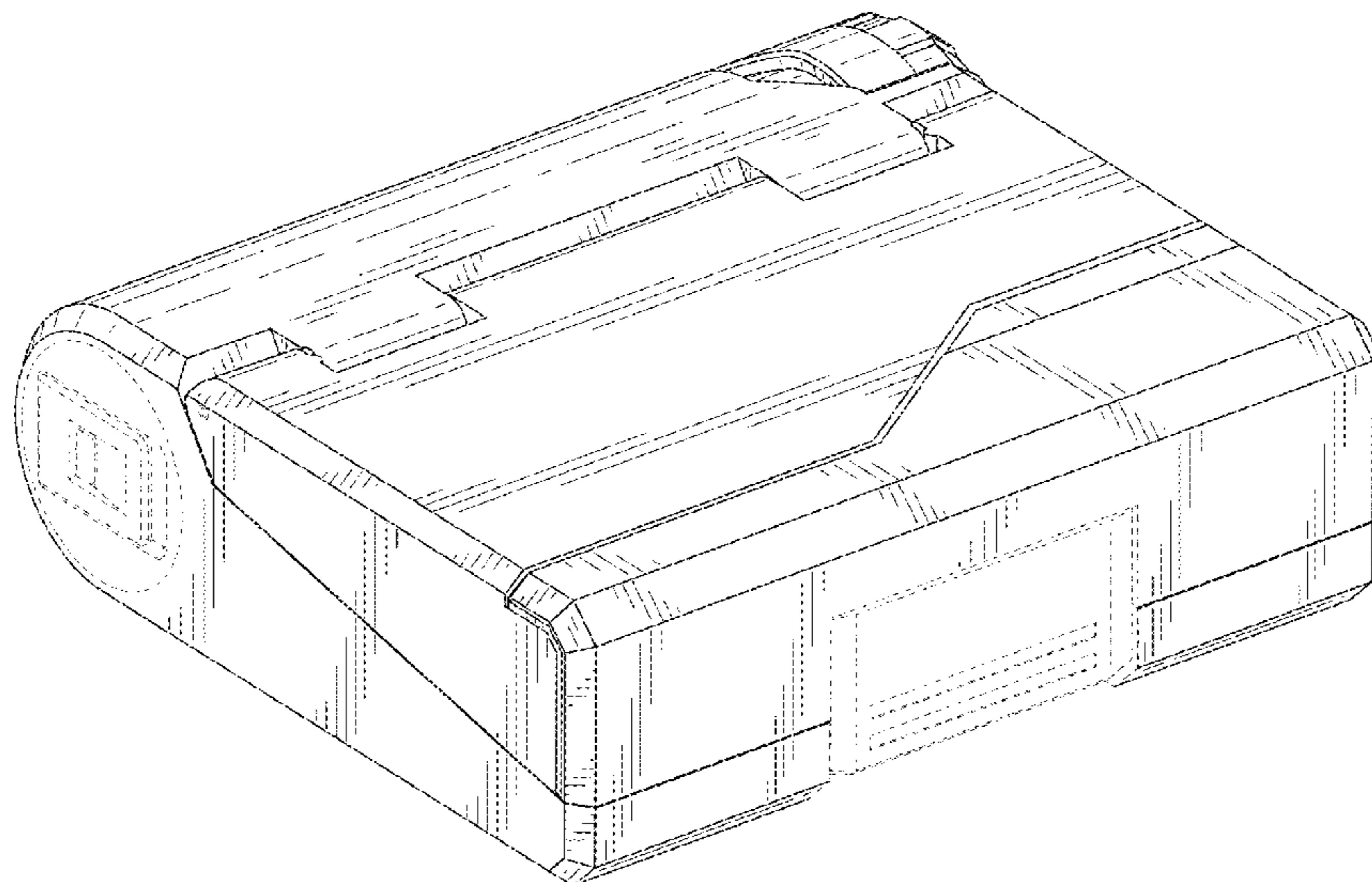
FIG. 5 is a front view of the charging case of FIG. 1.

FIG. 6 is a rear view of the charging case of FIG. 1.

FIG. 7 is a top view of the charging case of FIG. 1; and,

FIG. 8 is a bottom view of the charging case of FIG. 1.

**1 Claim, 6 Drawing Sheets**



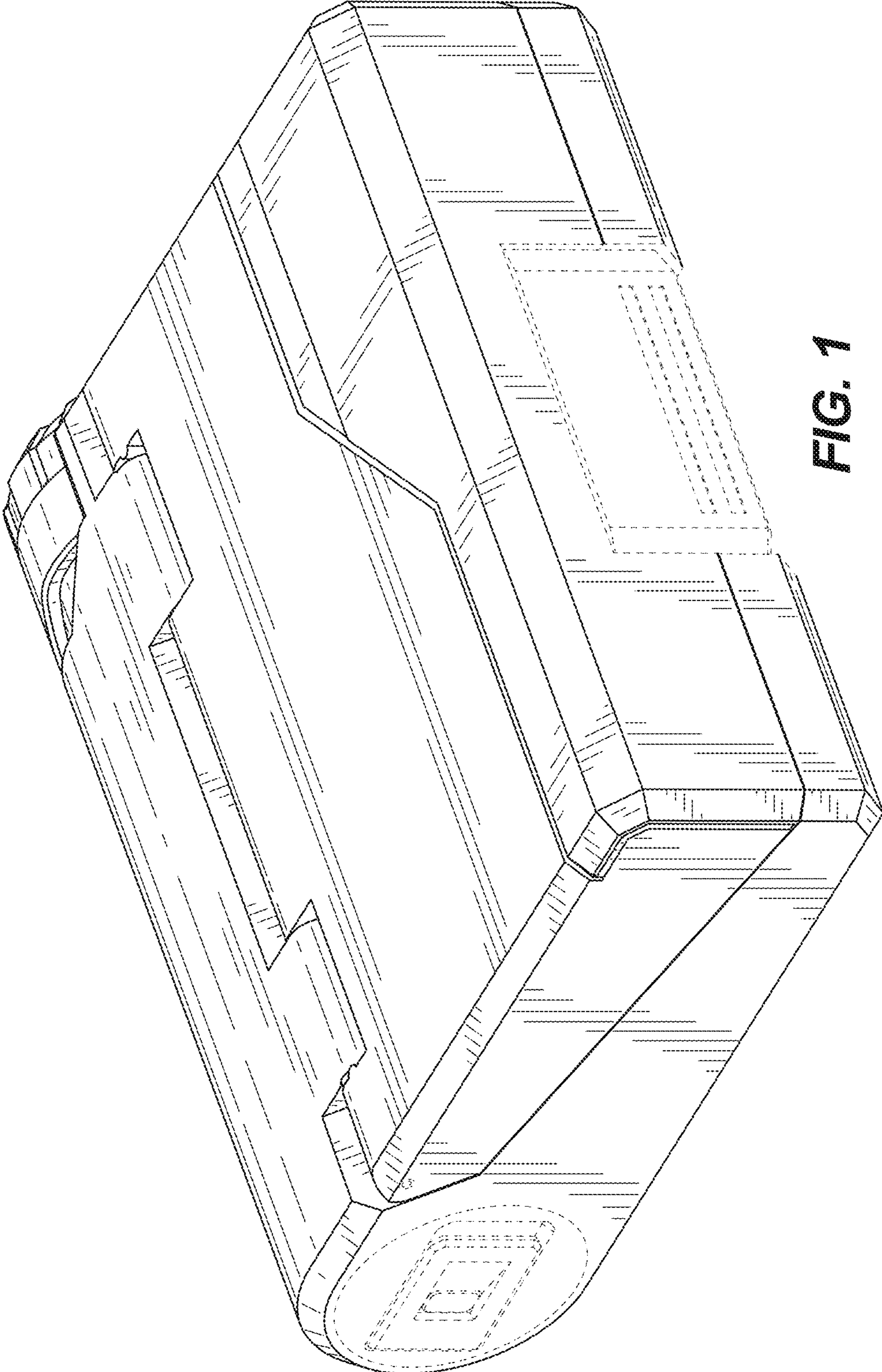


FIG. 1



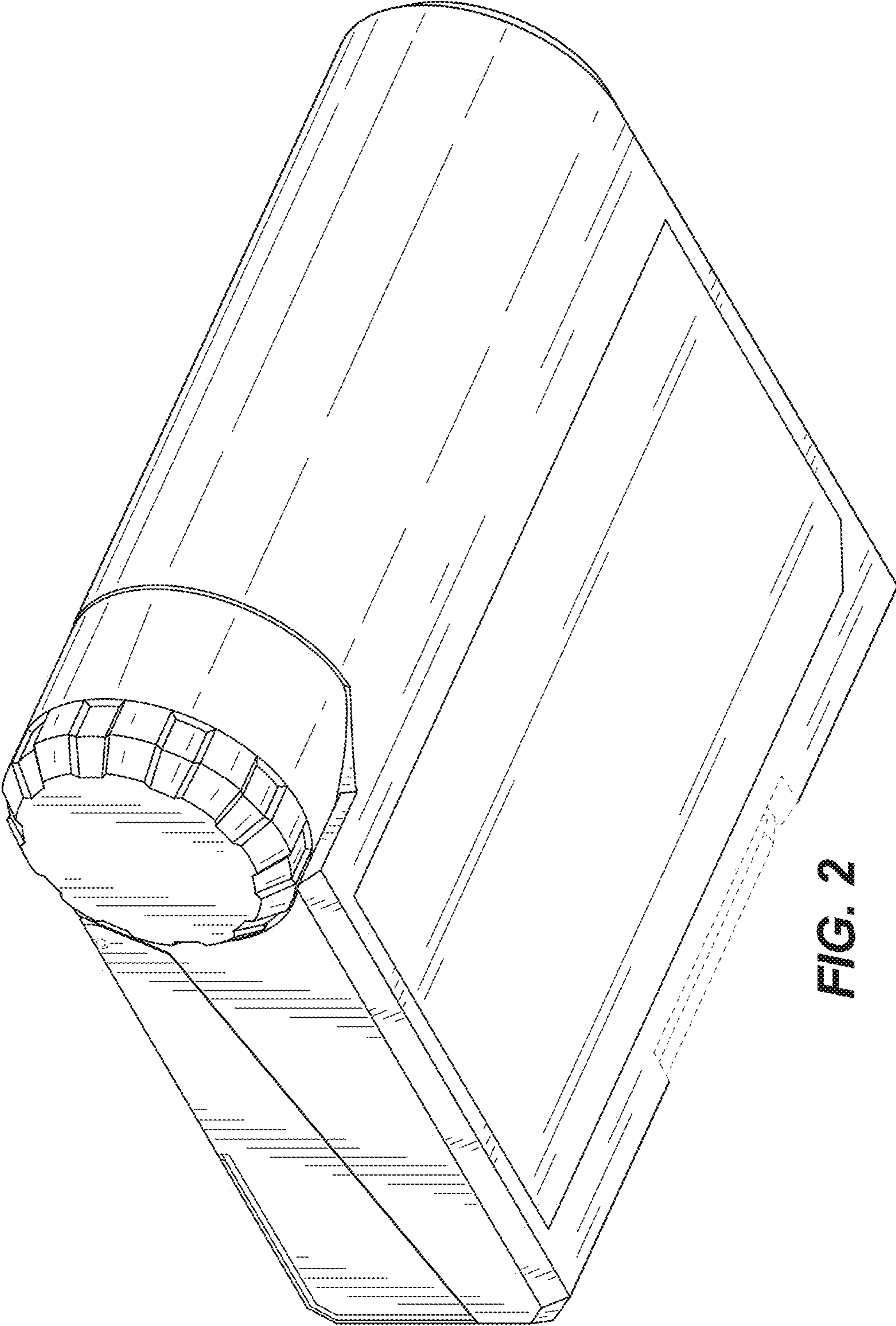
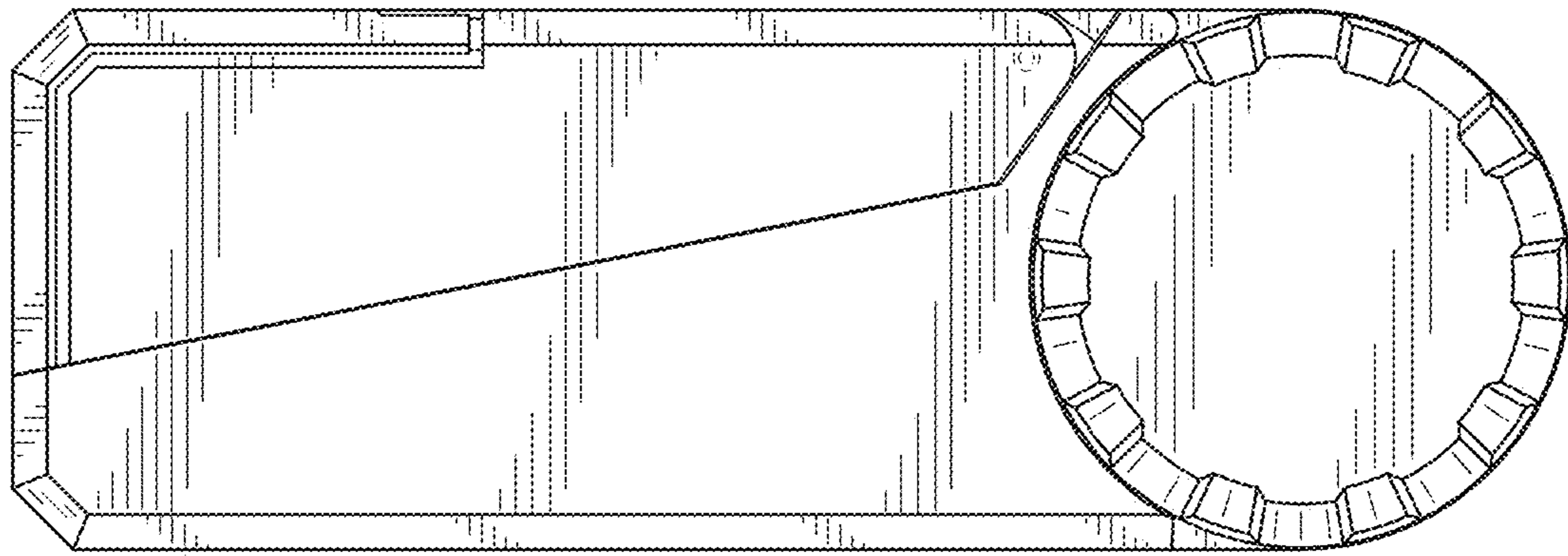
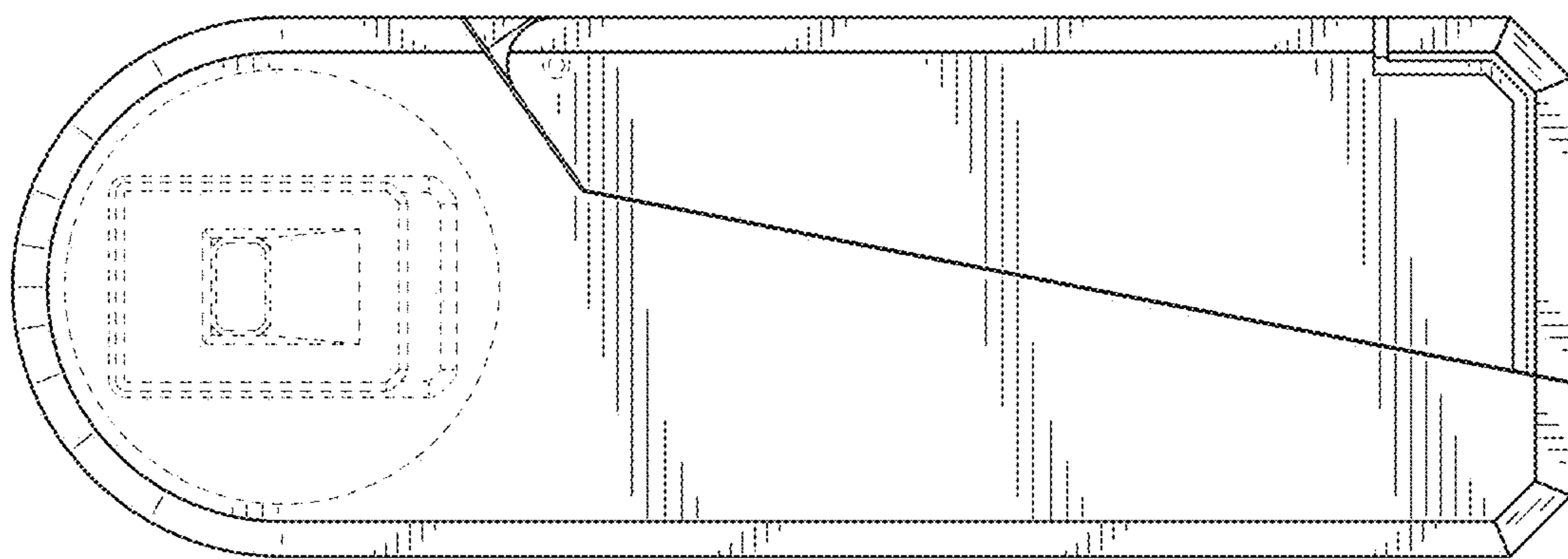


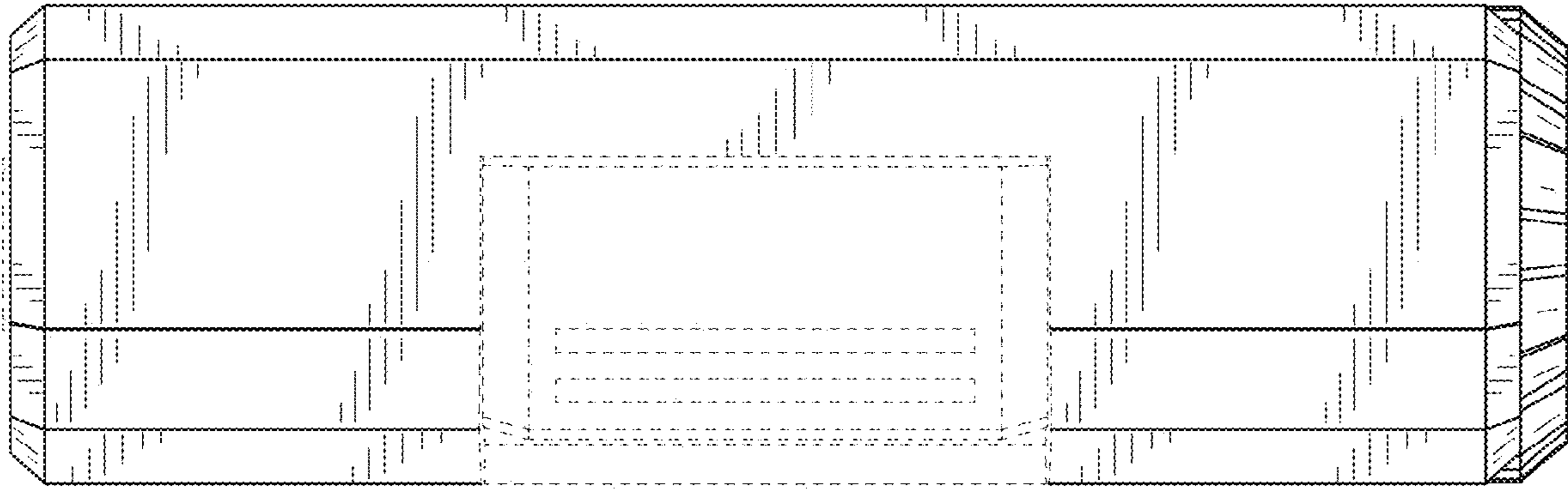
FIG. 2



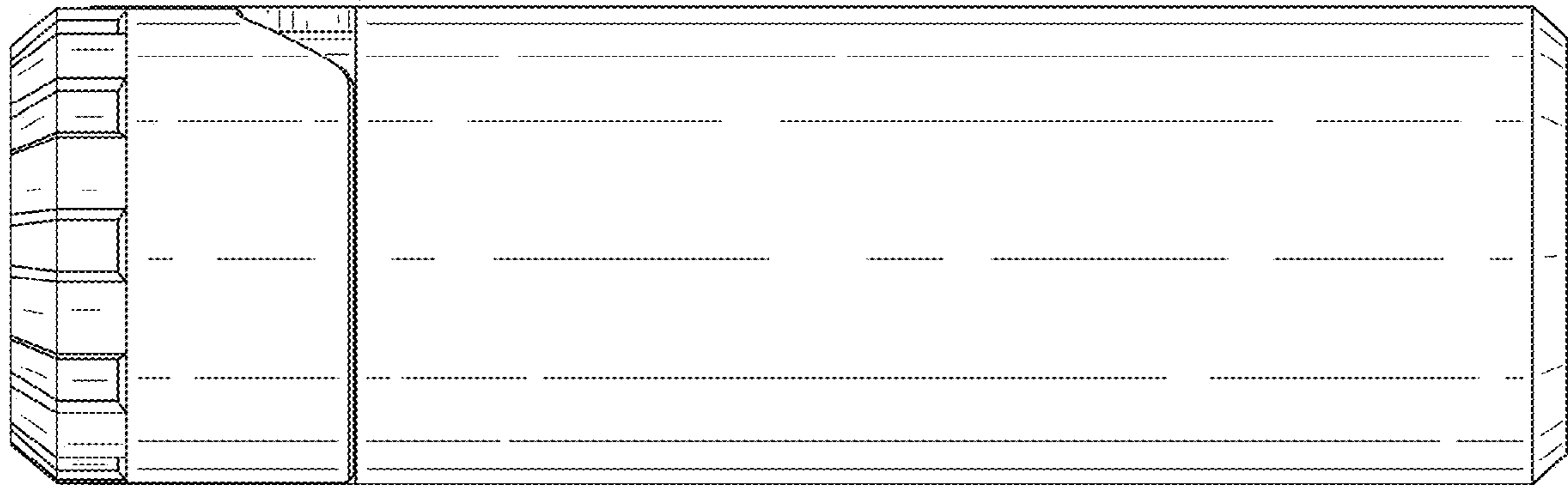
**FIG. 3**



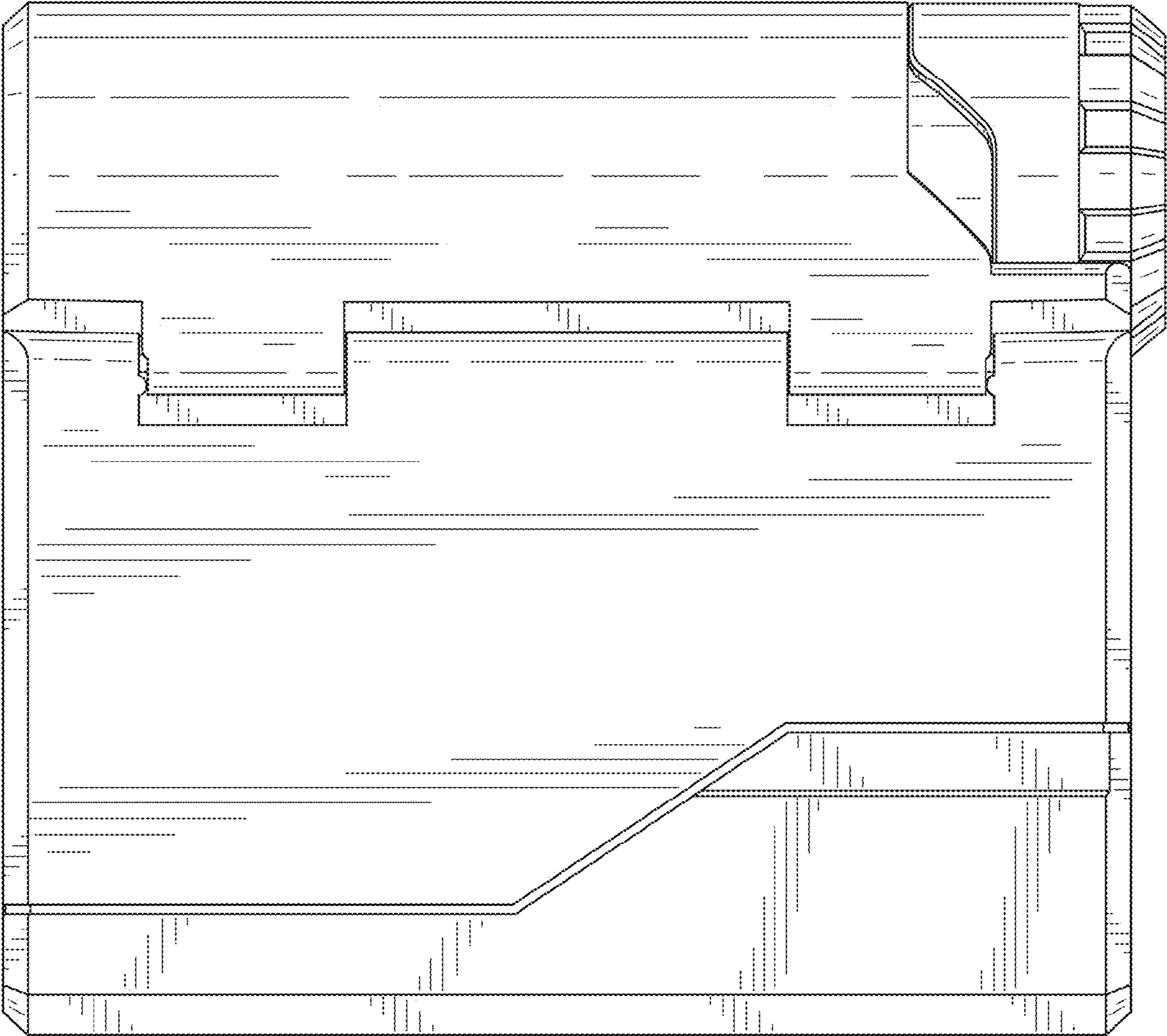
**FIG. 4**



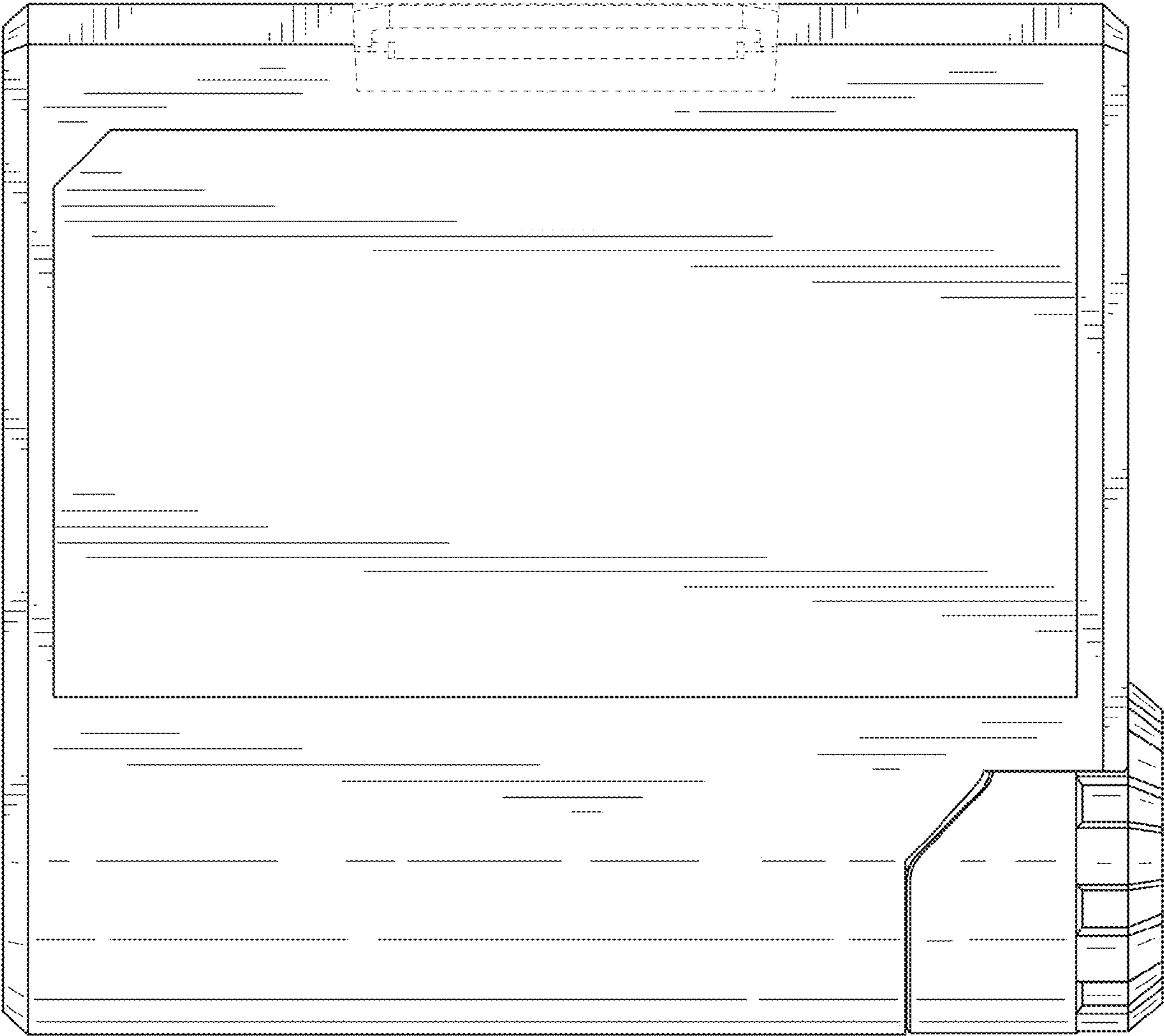
**FIG. 5**



**FIG. 6**



**FIG. 7**



**FIG. 8**