

US00D977415S

(12) **United States Design Patent**  
**Sun et al.**

(10) **Patent No.:** **US D977,415 S**  
(45) **Date of Patent:** **\*\* Feb. 7, 2023**

(54) **BATTERY**

Y02T 10/7005; Y02T 10/705; Y02T  
10/7088; B60L 11/182

(71) Applicants: **Bosch Automotive Products (Suzhou)**  
**Co. Ltd.**, Jiangsu (CN); **Robert Bosch**  
**GmbH**, Stuttgart (DE)

See application file for complete search history.

(72) Inventors: **Yan Sun**, Jiangsu (CN); **Yin Yu**,  
Jiangsu (CN)

(56) **References Cited**

U.S. PATENT DOCUMENTS

(73) Assignees: **Bosch Automotive Products (Suzhou)**  
**Co. Ltd**, Jiangsu (CN); **Robert Bosch**  
**GmbH**, Stuttgart (DE)

D551,621	S	*	9/2007	Iacovelli	.....	D13/110
D588,535	S	*	3/2009	Krieger	.....	D13/103
D610,539	S	*	2/2010	Dahan	.....	D13/110
D614,125	S	*	4/2010	Tinius	.....	D13/103
D664,921	S	*	8/2012	Stone	.....	D13/110
D665,340	S	*	8/2012	Obata	.....	D13/103
D744,945	S	*	12/2015	Bates	.....	D13/107

(\*\*) Term: **15 Years**

(Continued)

(21) Appl. No.: **29/707,293**

*Primary Examiner* — Christy Nemeth

(22) Filed: **Sep. 27, 2019**

(74) *Attorney, Agent, or Firm* — Maginot, Moore & Beck  
LLP

(30) **Foreign Application Priority Data**

Mar. 27, 2019 (CN) ..... 201930131507.4

(51) **LOC (14) Cl.** ..... **13-02**

(52) **U.S. Cl.**  
USPC ..... **D13/103**

(58) **Field of Classification Search**  
USPC ..... D13/102–110, 118, 119, 153, 154, 184,  
D13/199

CPC ..... Y02E 60/10; Y02E 60/12; Y02E 60/122;  
Y02E 60/124; Y02E 60/50; H01M 2/02;  
H01M 2/022; H01M 2/0202; H01M  
2/0207; H01M 2/0212; H01M 2/1061;  
H01M 2/1022; H01M 2/1055; H01M  
2/1066; H01M 2/105; H01M 2/20; H01M  
2/202; H01M 2/204; H01M 2/206; H01M  
10/44; H01M 10/46; H01M 10/465;  
H01M 10/482; H01M 10/4257; H01M  
10/0436; H01M 10/48; H01M 2200/30;  
H01M 2250/30; H01M 2250/40; H02J  
7/00; H02J 7/0003; H02J 7/0011; H02J  
7/0013; H02J 7/0054; H02J 7/0055; H02J  
7/0057; H02J 7/0034; H02J 7/1423;

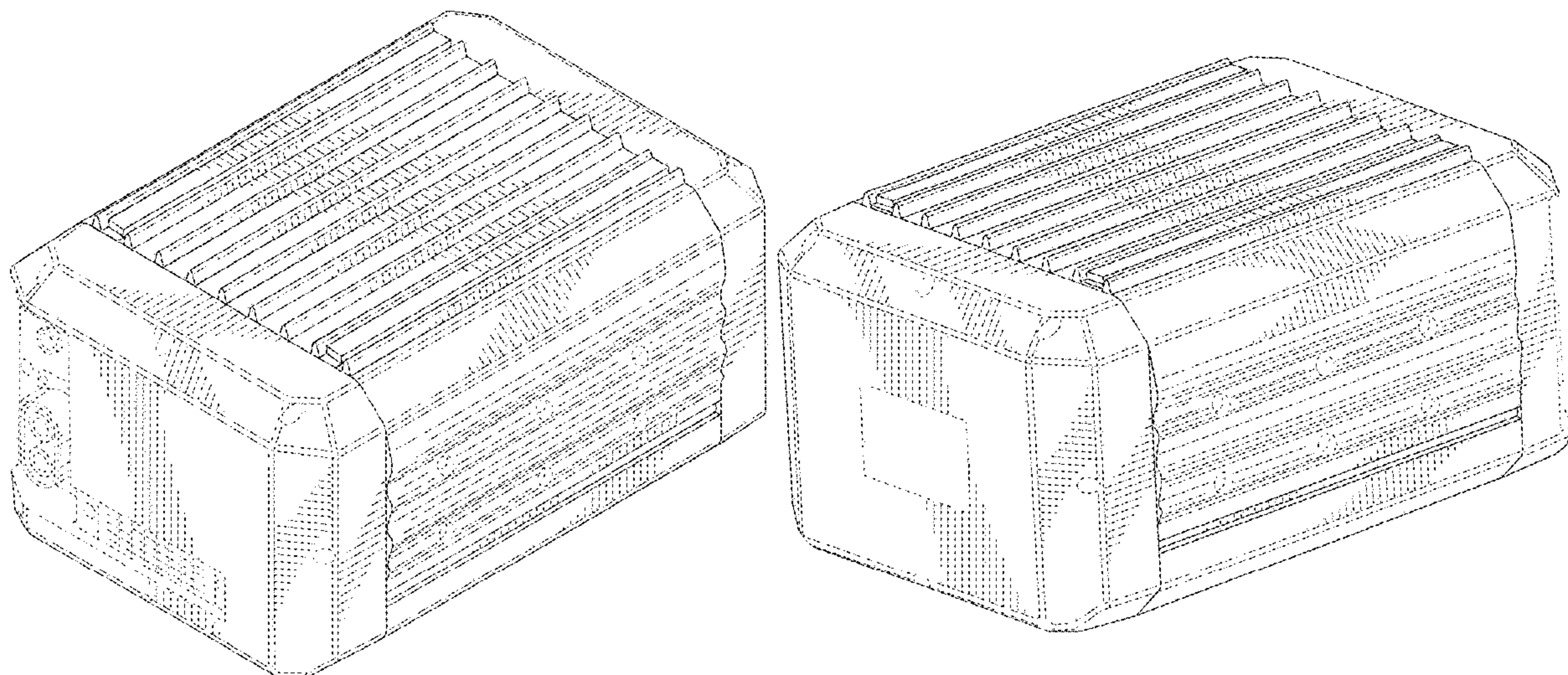
(57) **CLAIM**

The ornamental design for a battery, as shown and described.

**DESCRIPTION**

FIG. 1 is a front perspective view of a battery showing our new design;  
FIG. 2 is a rear perspective view of the battery of FIG. 1;  
FIG. 3 is a front side elevational view of the battery of FIG. 1;  
FIG. 4 is a rear side elevational view of the battery of FIG. 1;  
FIG. 5 is a left side elevational view of the battery of FIG. 1;  
FIG. 6 is a right side elevational view of the battery of FIG. 1;  
FIG. 7 is a top side plan view of the battery of FIG. 1; and,  
FIG. 8 is a bottom side plan view of the battery of FIG. 1.  
The broken lines shown in the drawings illustrate portions of the battery that form no part of the claimed design.

**1 Claim, 8 Drawing Sheets**



(56)

**References Cited**

## U.S. PATENT DOCUMENTS

D756,913 S \* 5/2016 Esses ..... D13/107  
D762,172 S \* 7/2016 Pignotti ..... D13/108  
9,385,354 B2 \* 7/2016 Sohn ..... H01M 10/613  
D765,592 S \* 9/2016 Friend ..... D13/103  
D782,466 S \* 3/2017 Yepez ..... D14/307  
D785,565 S \* 5/2017 Xu ..... D13/110  
D790,453 S \* 6/2017 Tinius ..... D13/103  
D817,876 S \* 5/2018 Meng ..... D13/110  
D818,954 S \* 5/2018 Lai ..... D13/110  
D825,459 S \* 8/2018 Xiong ..... D13/110  
D841,572 S \* 2/2019 Gilpatrick ..... D13/103  
D844,556 S \* 4/2019 Irfan ..... D13/103  
D864,113 S \* 10/2019 Zhang ..... D13/110  
D867,284 S \* 11/2019 Lai ..... D13/110  
D872,019 S \* 1/2020 Chen ..... D13/110  
D875,045 S \* 2/2020 Xu ..... D13/110  
D875,681 S \* 2/2020 Xu ..... D13/110  
10,630,088 B2 \* 4/2020 Seidel ..... H02J 7/0042  
D885,340 S \* 5/2020 Shum ..... D13/110  
D891,364 S \* 7/2020 Gilpatrick ..... D13/103  
D910,550 S \* 2/2021 Bell ..... D13/107  
D911,933 S \* 3/2021 Dong ..... D13/104  
D912,614 S \* 3/2021 Wurden ..... D13/103  
D921,102 S \* 6/2021 Iwata ..... D18/4.5  
D930,575 S \* 9/2021 Schramm ..... D13/103  
2018/0194235 A1 \* 7/2018 Kim ..... B60L 50/64  
2021/0050565 A1 \* 2/2021 Zhao ..... H01M 50/172

\* cited by examiner



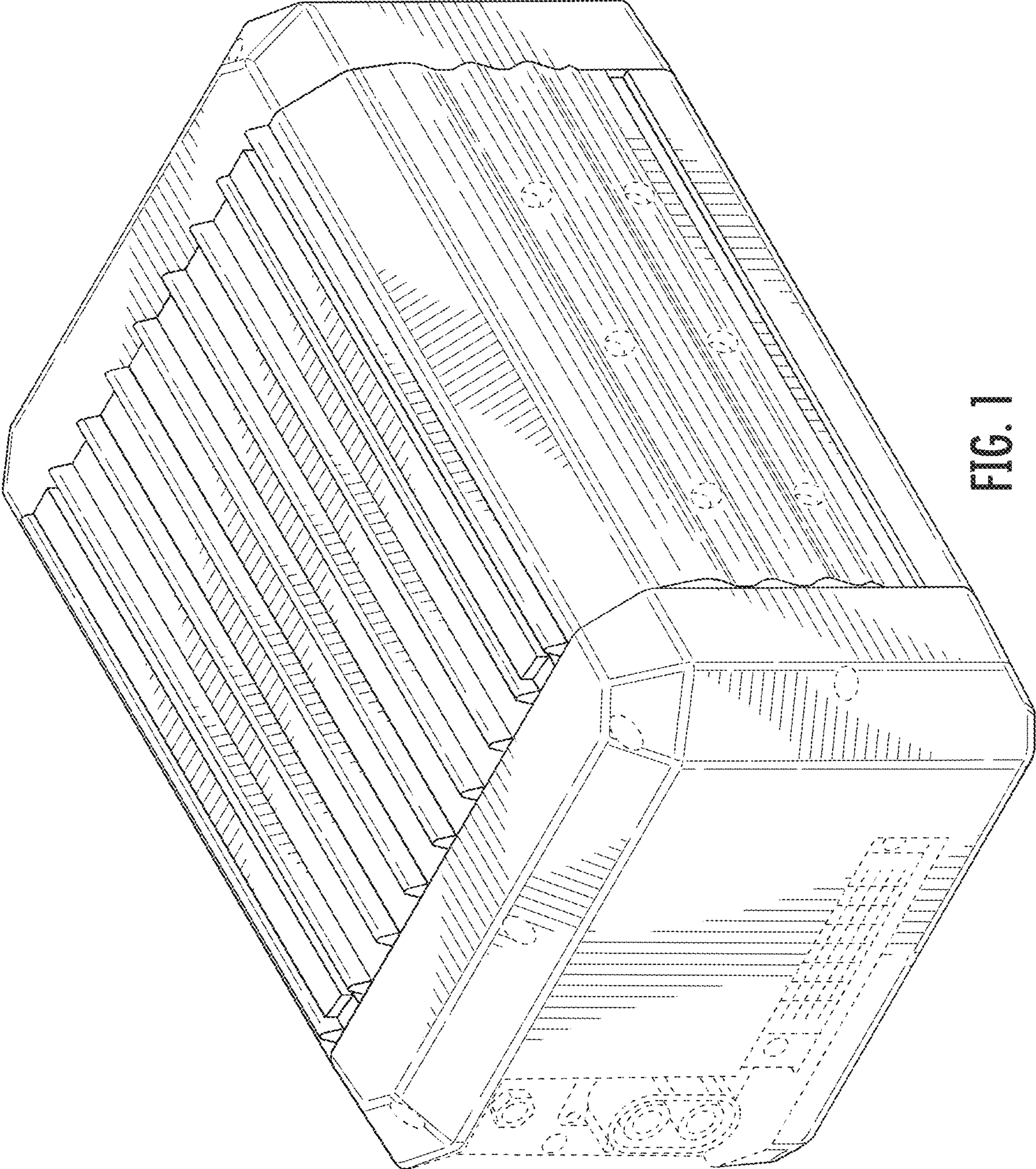


FIG. 1

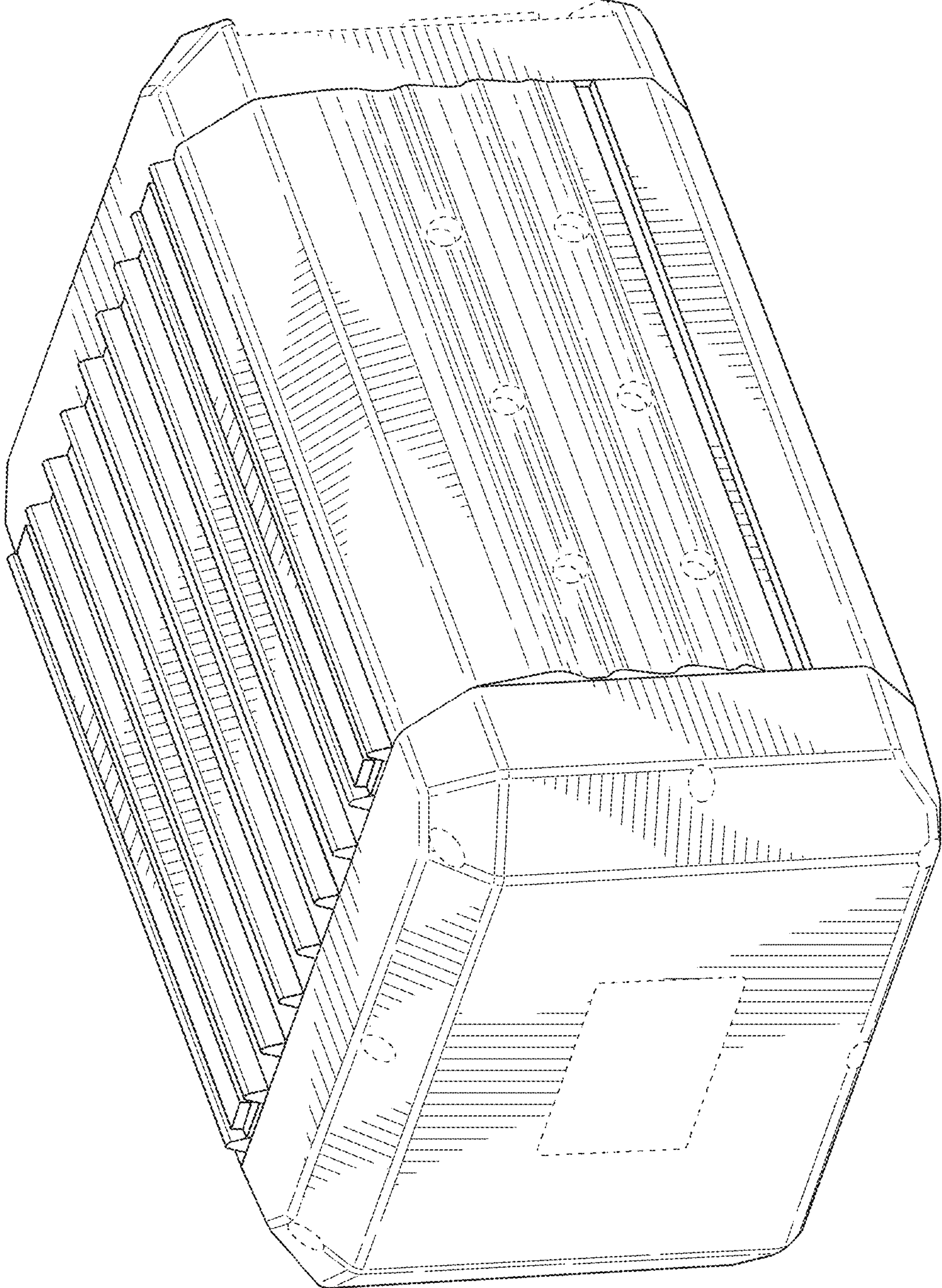


FIG. 2



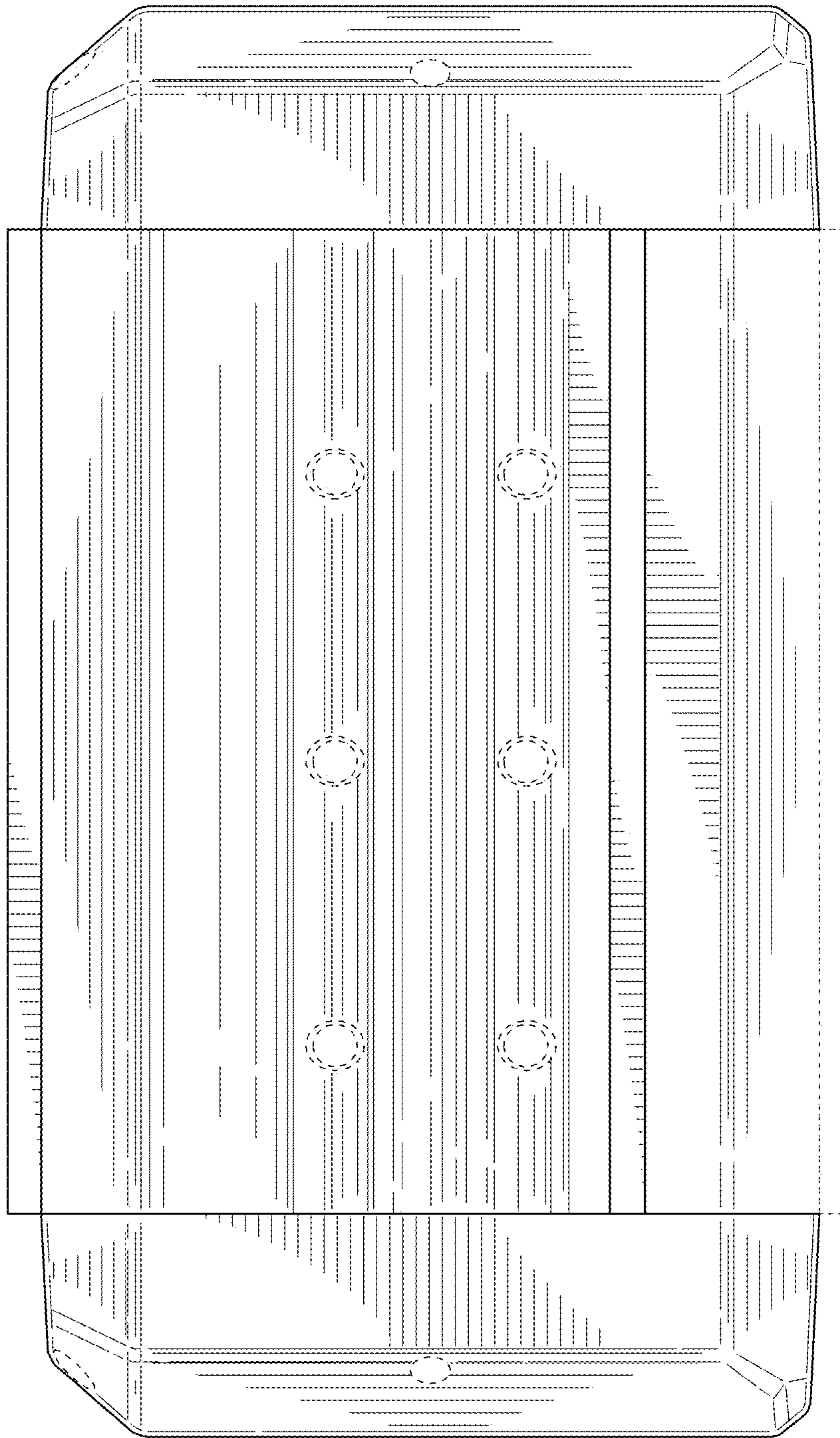


FIG. 3

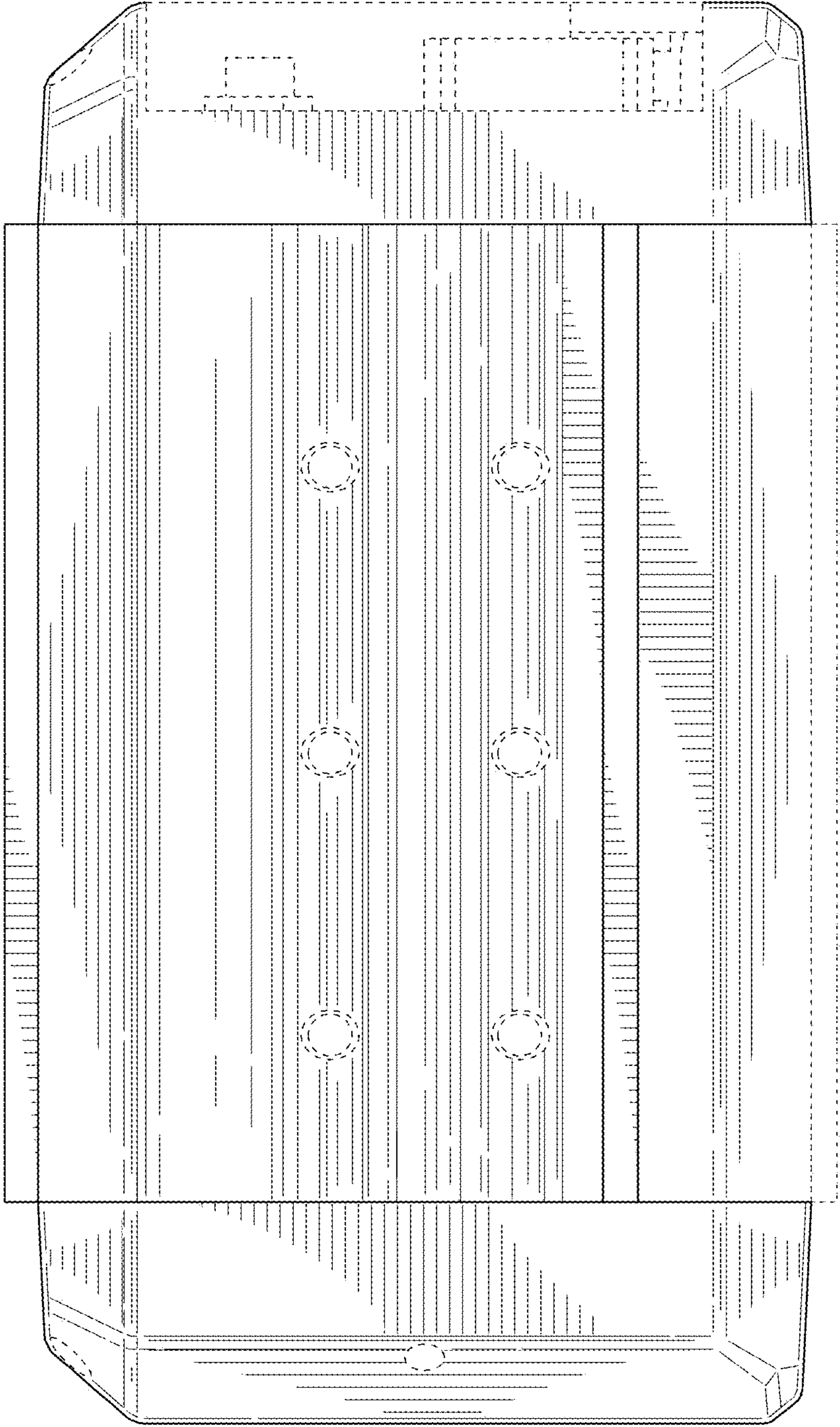


FIG. 4

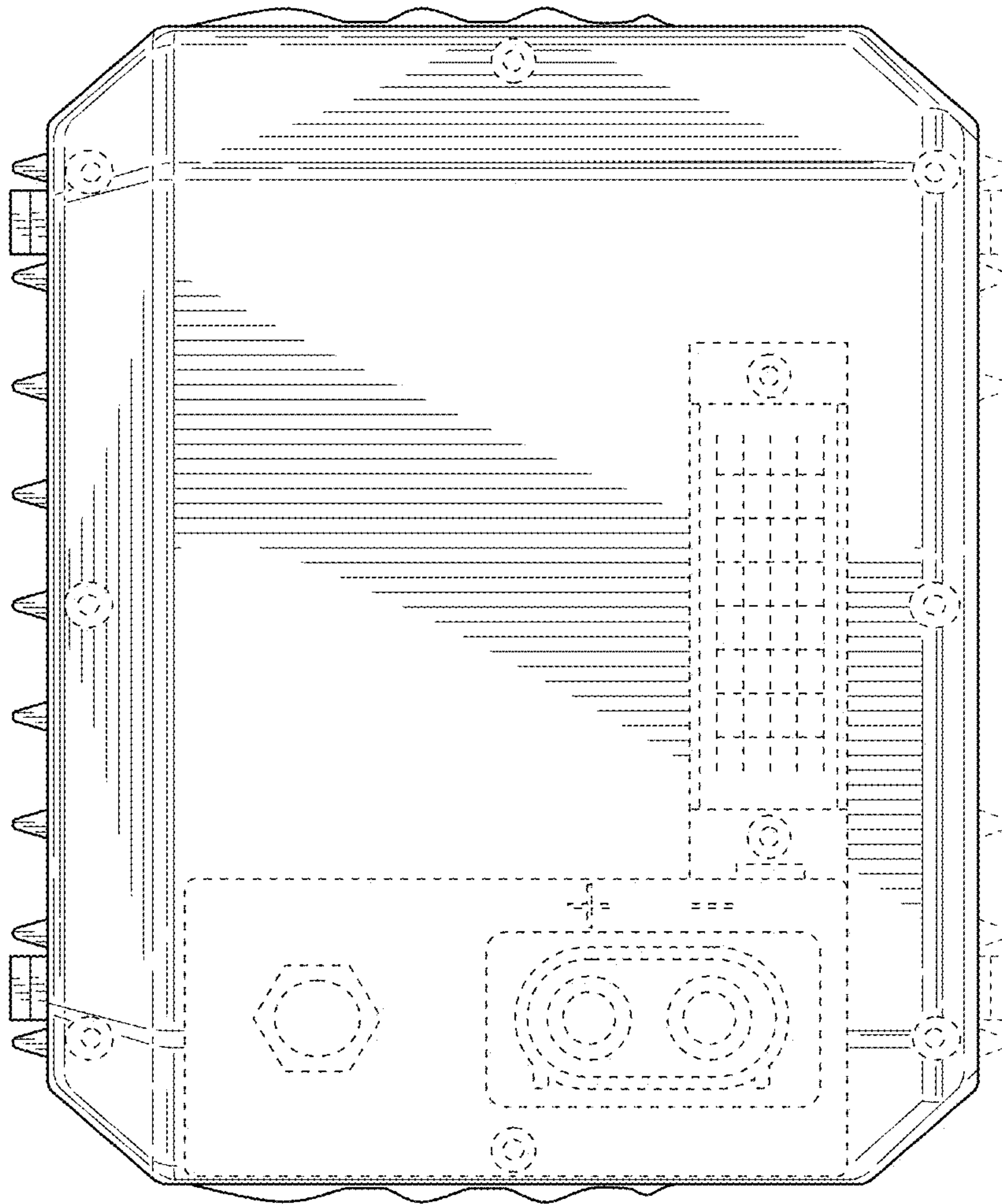


FIG. 5

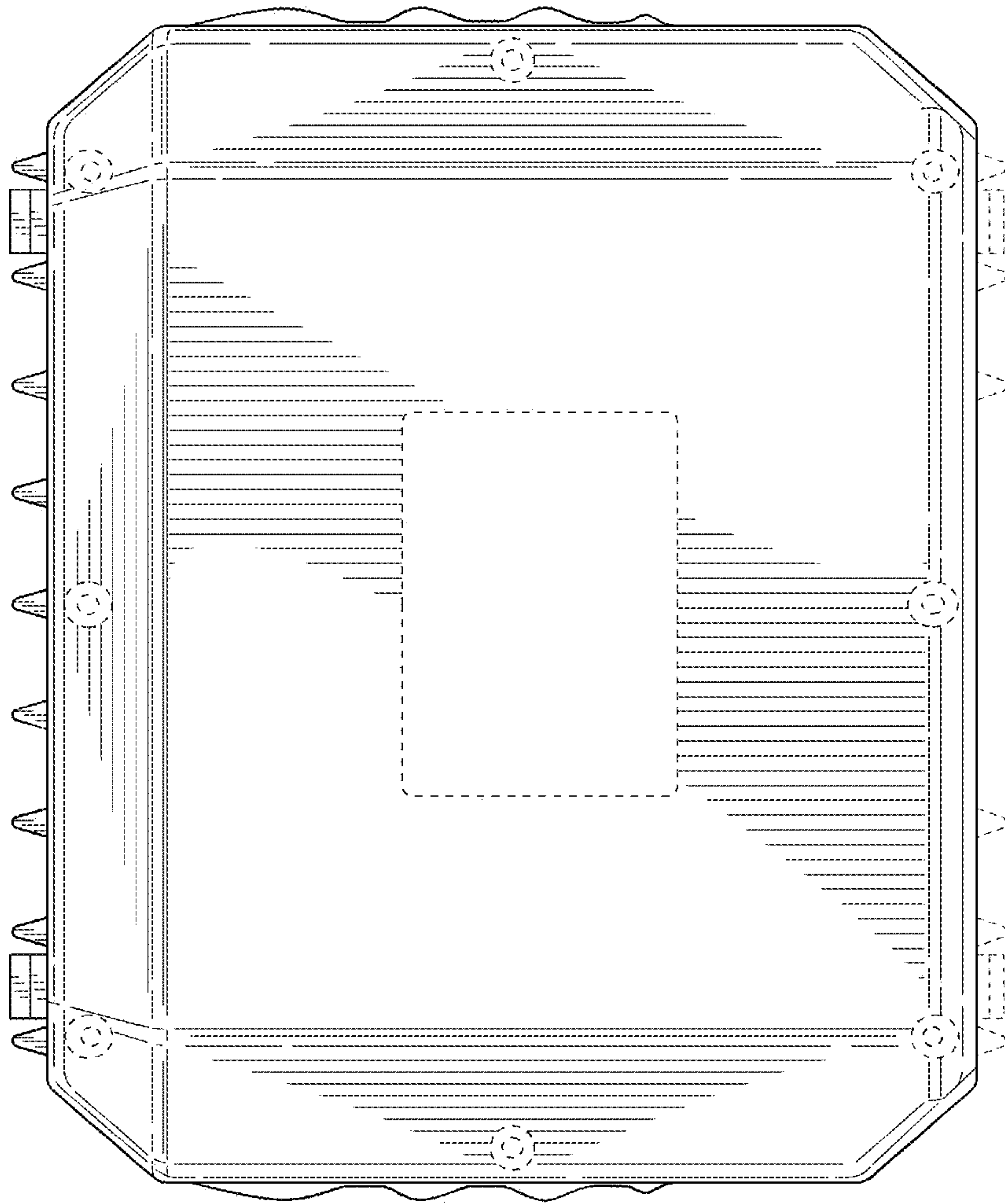


FIG. 6



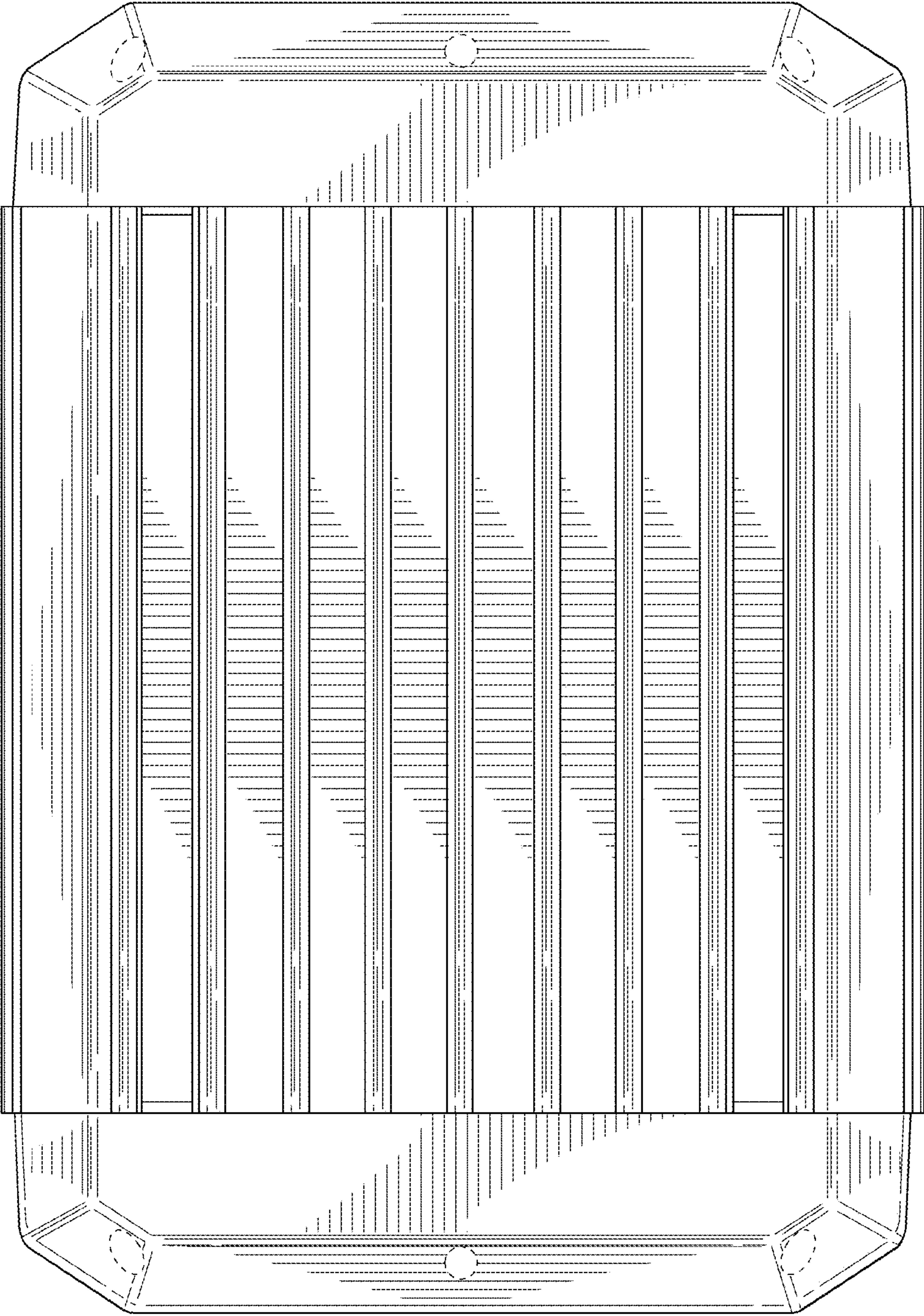


FIG. 7

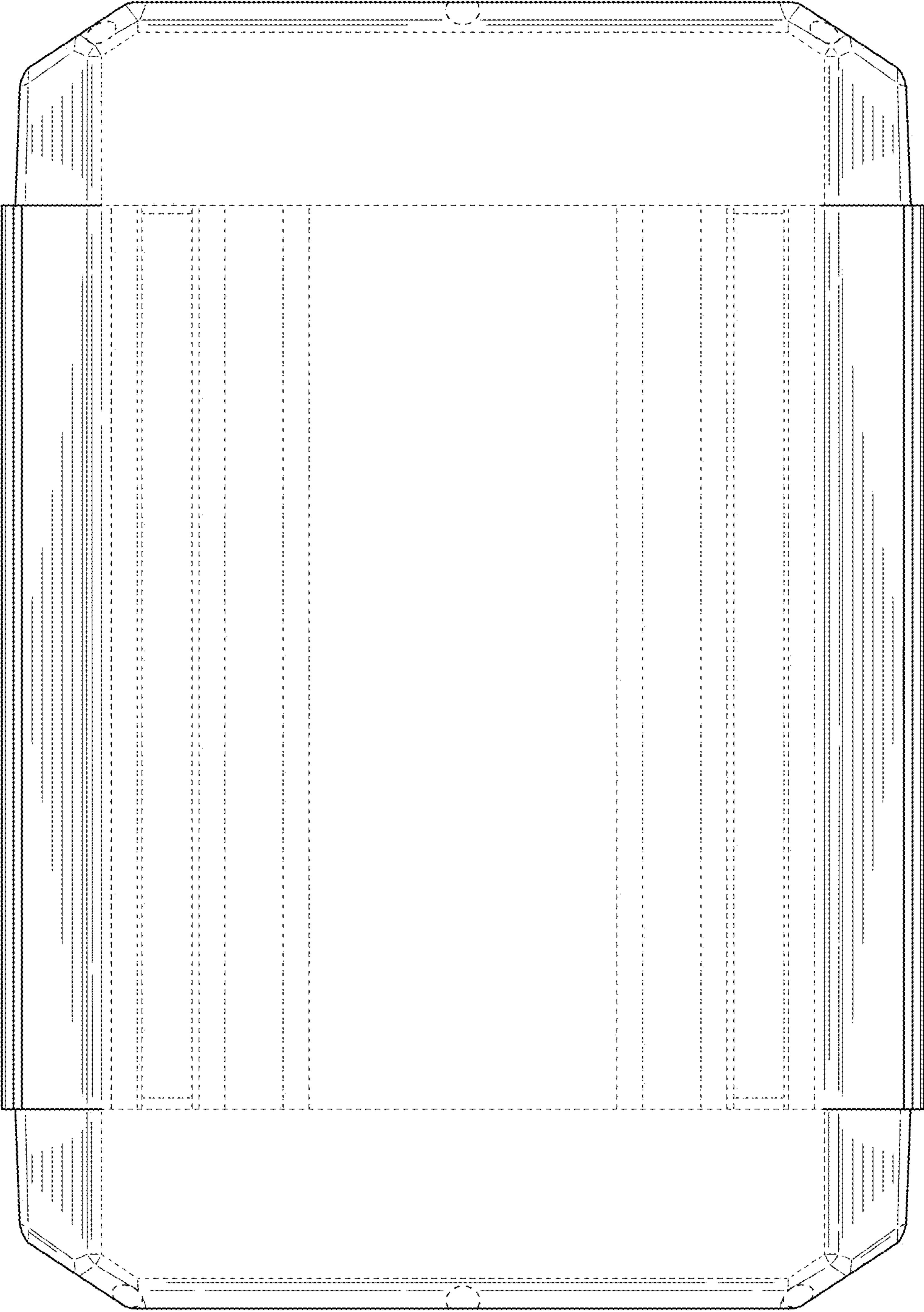


FIG. 8