



US00D977414S

(12) **United States Design Patent**  
**Wen**

(10) **Patent No.:** **US D977,414 S**

(45) **Date of Patent:** **\*\* Feb. 7, 2023**

(54) **LIGHTWEIGHT SOLAR PANEL**

(71) Applicant: **Shenzhen Lianli Solar Energy Co., Ltd.**, Shenzhen (CN)

(72) Inventor: **Liyu Wen**, Wuhua (CN)

(\*\*) Term: **15 Years**

(21) Appl. No.: **29/850,375**

(22) Filed: **Aug. 19, 2022**

(30) **Foreign Application Priority Data**

Jul. 20, 2022 (CN) ..... 202230464447.X

(51) **LOC (14) Cl.** ..... **13-02**

(52) **U.S. Cl.**  
USPC ..... **D13/102**

(58) **Field of Classification Search**  
USPC ..... D13/102, 101, 103, 107, 108, 110, 118,  
D13/184, 199  
CPC ..... H01L 31/00; H01L 31/18; H01L 31/042;  
H01L 31/045; H01L 31/048; H01L  
31/052; H01L 31/054; H01L 31/0475;  
H01L 31/0485; H01M 10/052; H01M  
10/465; H02S 30/10; H02S 30/20; H02S  
20/30; H02S 40/10; H02S 40/42; Y02E  
10/50; Y02E 10/52; Y02E 10/56; Y10S  
136/291; Y10S 136/293; H02J 7/35; H02J  
7/355; G06F 1/1628; F21S 8/006; F21V  
21/06; F21V 21/12  
See application file for complete search history.

(56) **References Cited**

**U.S. PATENT DOCUMENTS**

5,522,943 A \* 6/1996 Spencer ..... H01L 31/042  
D13/102  
D510,316 S \* 10/2005 Hayakawa ..... D13/102  
D830,296 S \* 10/2018 Liu ..... D13/102  
D848,363 S \* 5/2019 Bai ..... D13/102  
10,546,545 B2 \* 1/2020 Yamazaki ..... H02J 50/10

D900,018 S \* 10/2020 Lu ..... D13/102  
D931,796 S \* 9/2021 Huang ..... D13/102  
D933,585 S 10/2021 Morad et al.  
D934,158 S 10/2021 Morad et al.

(Continued)

*Primary Examiner* — Derrick E Holland

(74) *Attorney, Agent, or Firm* — Rumit Ranjit Kanakia

(57) **CLAIM**

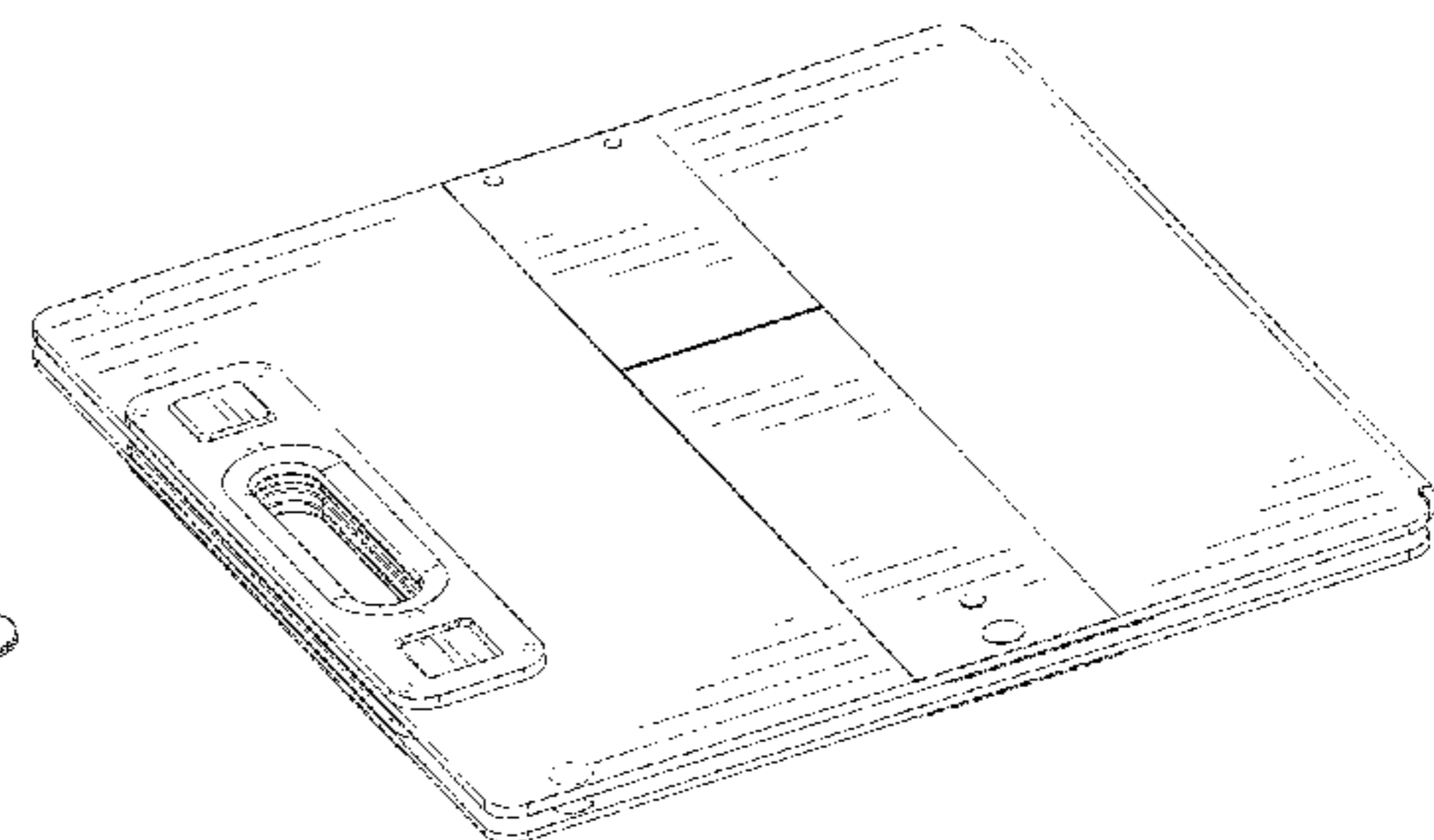
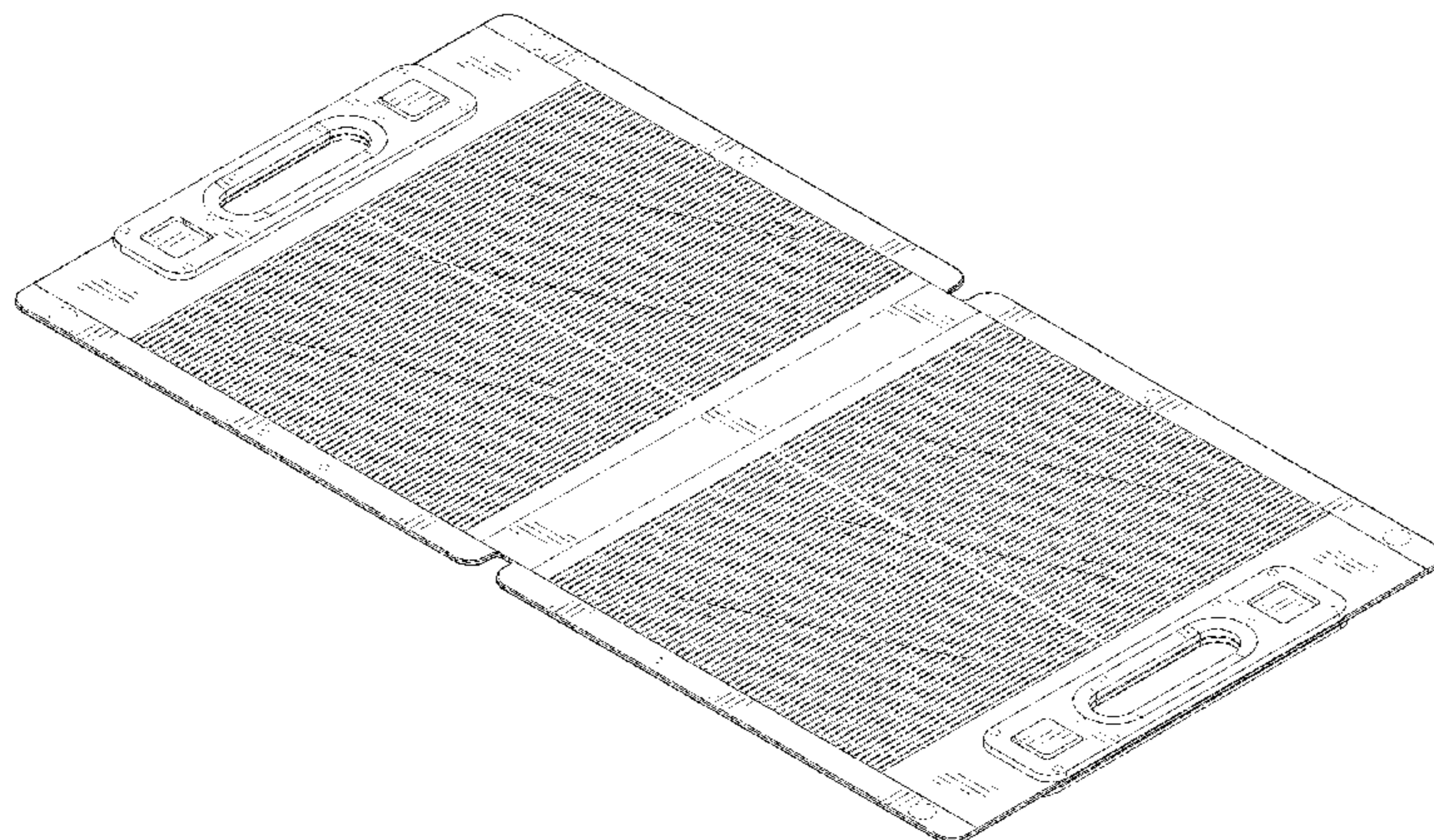
The ornamental design for a lightweight solar panel, as shown and described.

**DESCRIPTION**

FIG. 1 is a first perspective view of a lightweight solar panel showing my new design;  
FIG. 2 is a second perspective view thereof;  
FIG. 3 is a front view thereof;  
FIG. 4 is a back view thereof;  
FIG. 5 is a left side view thereof;  
FIG. 6 is a right side view thereof;  
FIG. 7 is a top view thereof;  
FIG. 8 is a bottom view thereof;  
FIG. 9 is a perspective view of another state of the lightweight solar panel thereof;  
FIG. 10 is a perspective view of another state of the lightweight solar panel thereof;  
FIG. 11 is an enlarged view of the selected portion 11 in FIG. 2;  
FIG. 12 is an enlarged view of the selected portion 12 in FIG. 5;  
FIG. 13 is an enlarged view of the selected portion 13 in FIG. 6;  
FIG. 14 is an enlarged view of the selected portion 14 in FIG. 7; and,  
FIG. 15 is an enlarged view of the selected portion 15 in FIG. 8.

The broken lines shown in the drawings depict portions of the lightweight solar panel that form no part of the claimed design.

**1 Claim, 15 Drawing Sheets**



(56)

**References Cited**

U.S. PATENT DOCUMENTS

D940,064 S 1/2022 Wen  
2013/0240015 A1\* 9/2013 Chaimovski ..... H02S 30/20  
136/245  
2017/0040932 A1\* 2/2017 Lillywhite ..... H02S 20/30

\* cited by examiner

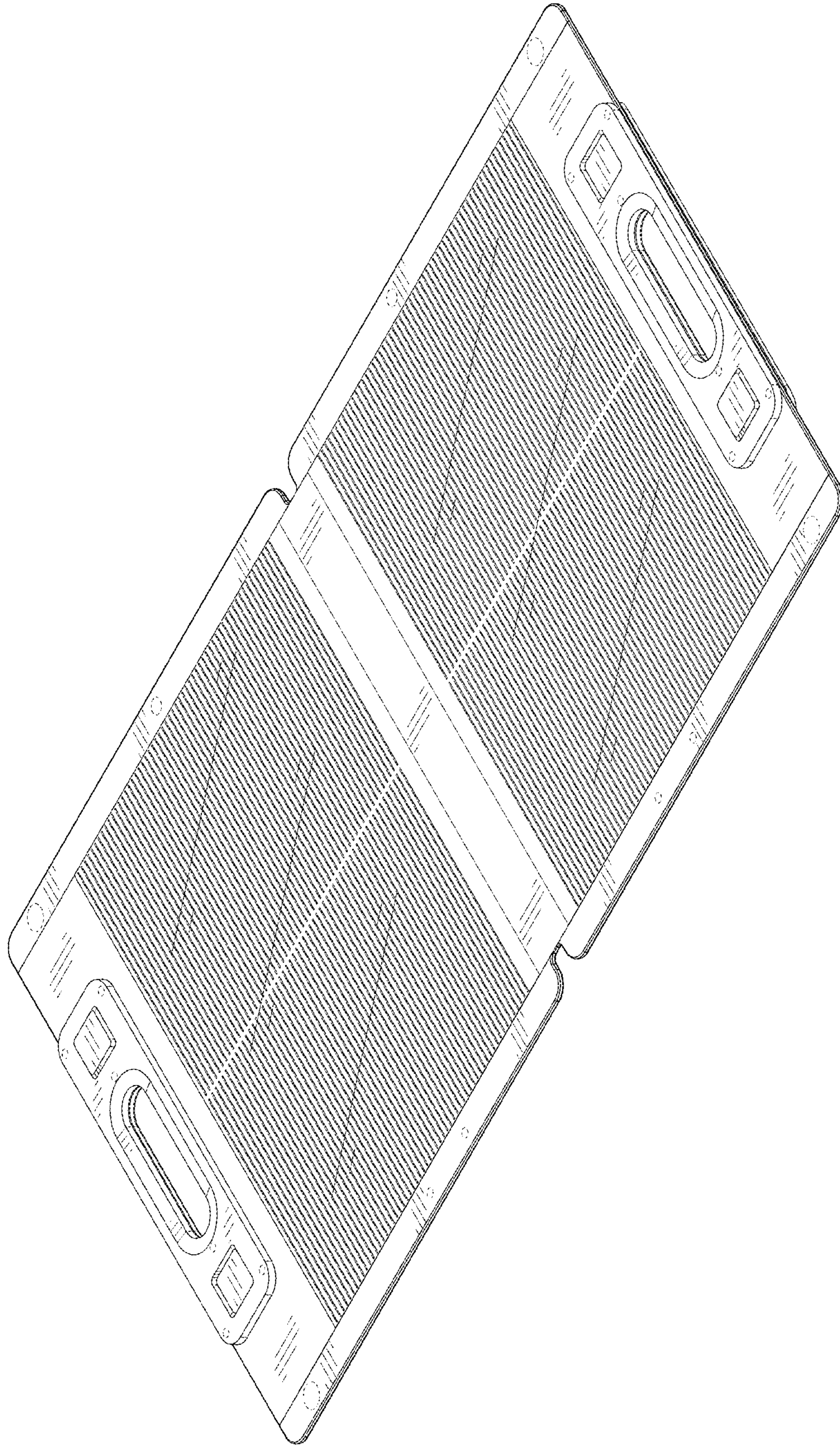


FIG. 1

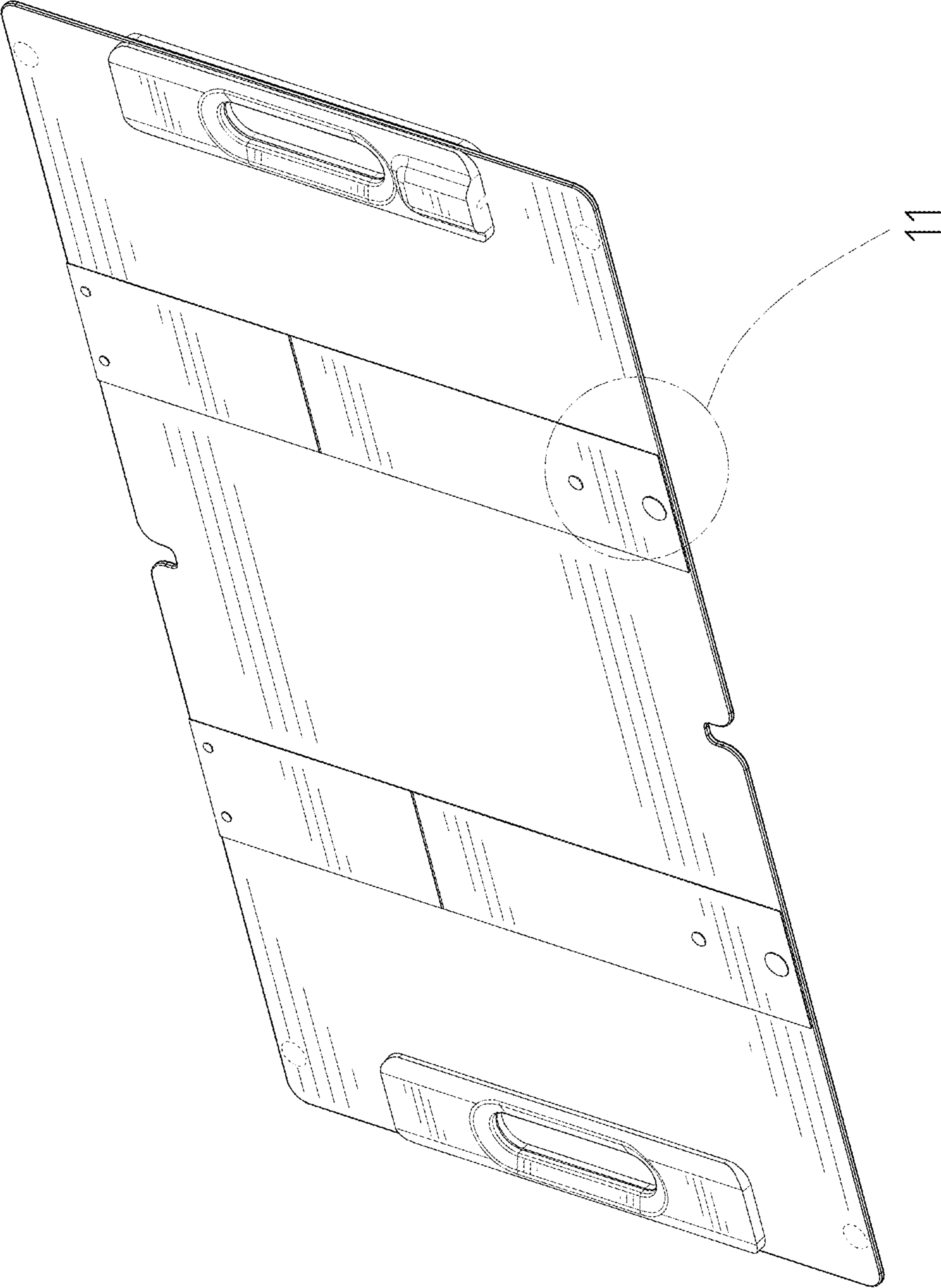


FIG. 2

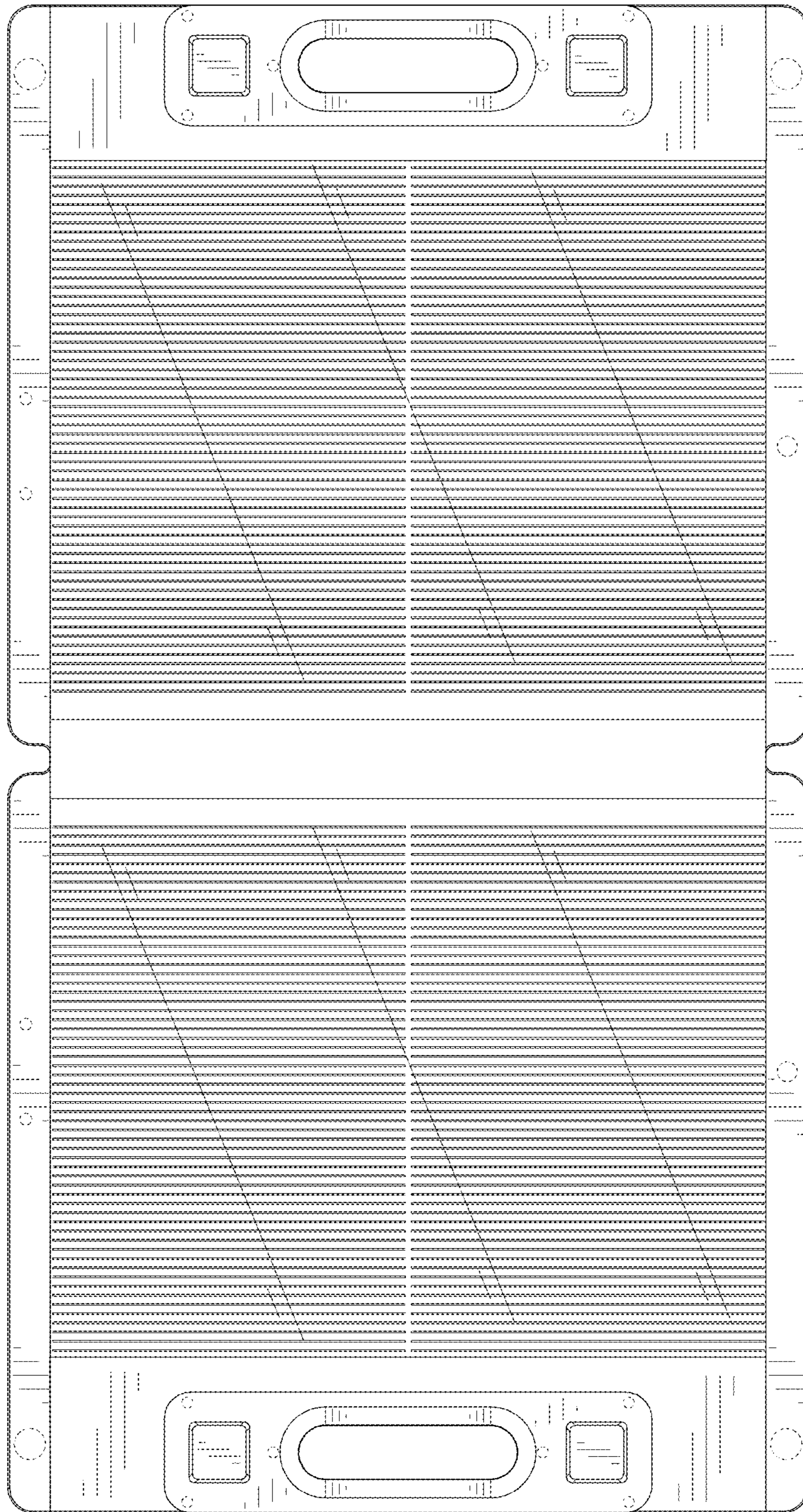


FIG. 3

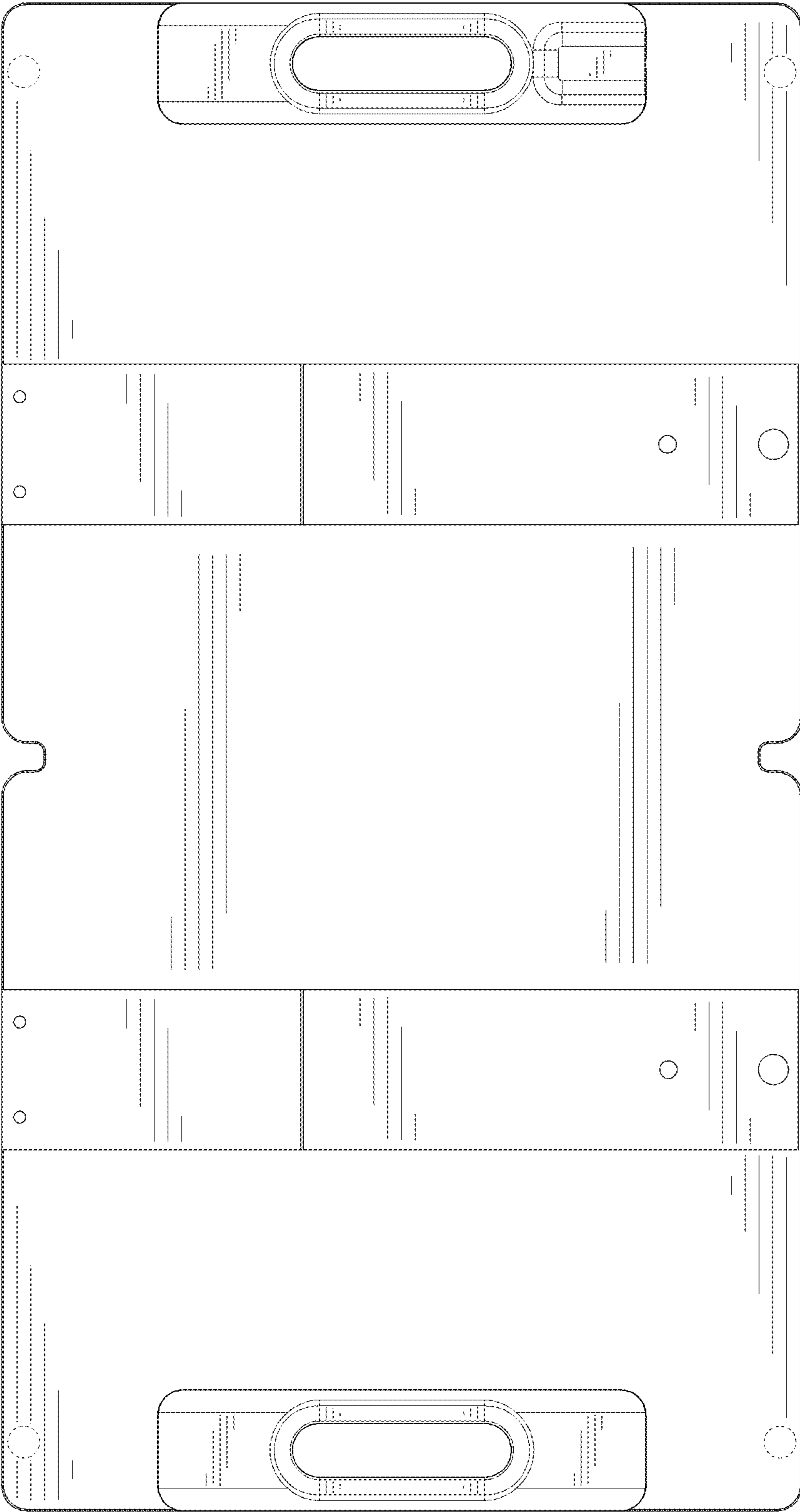


FIG. 4

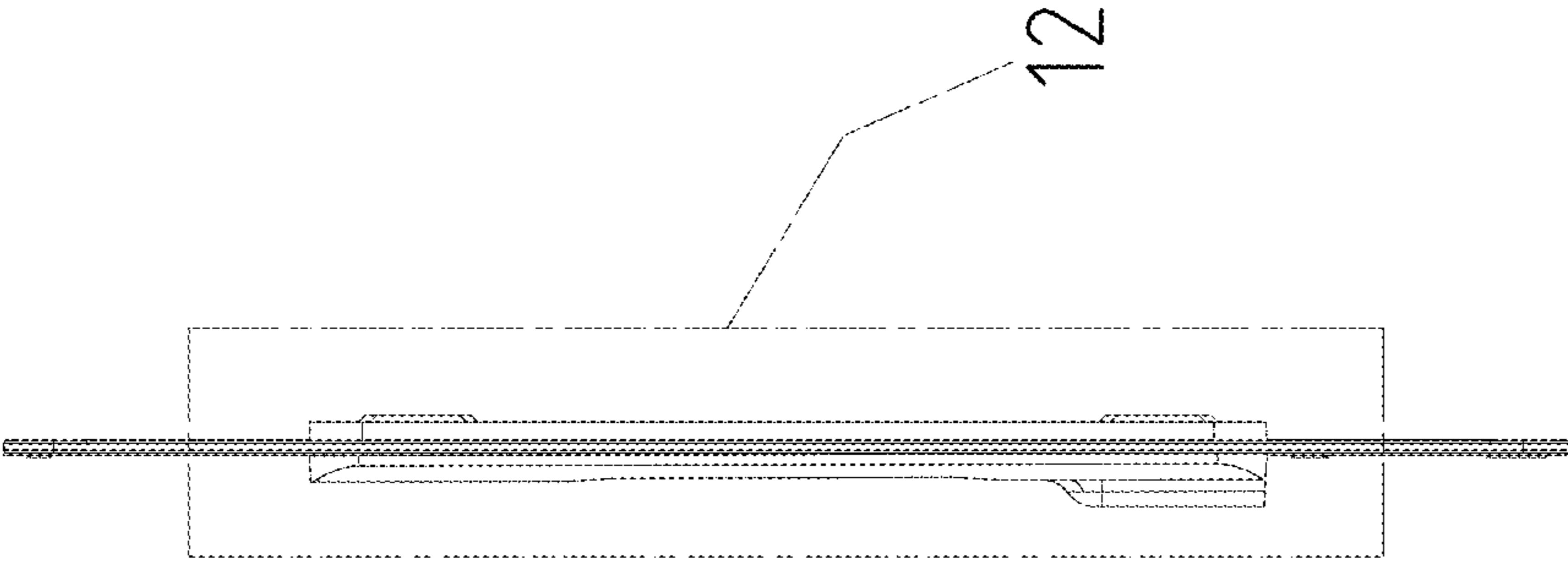


FIG. 5

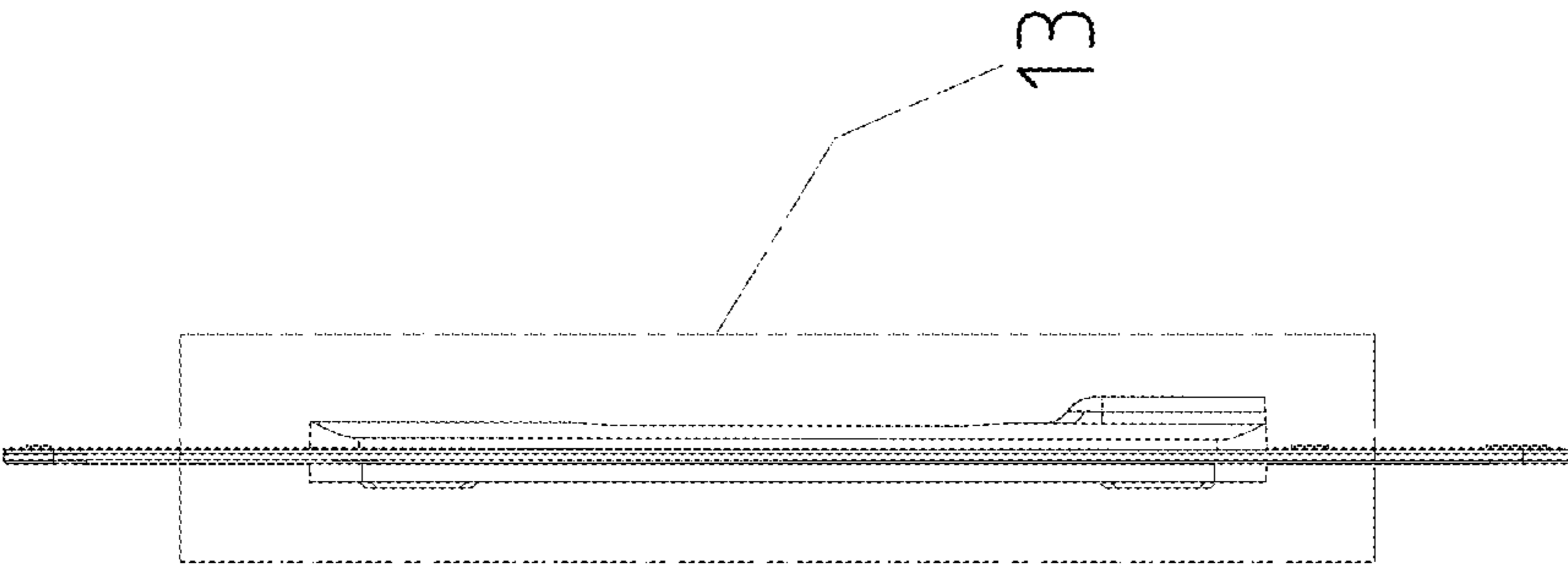


FIG. 6



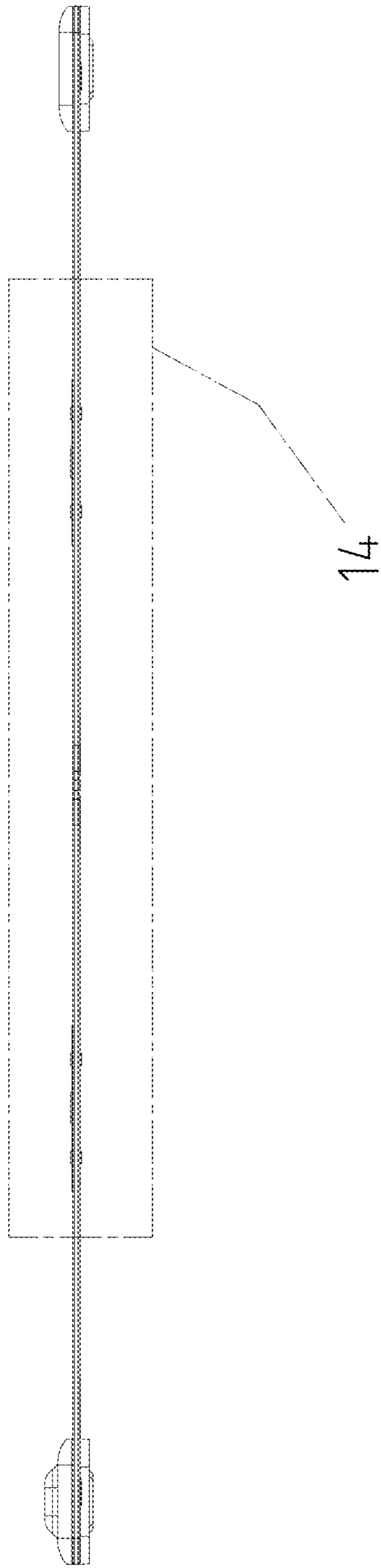


FIG. 7

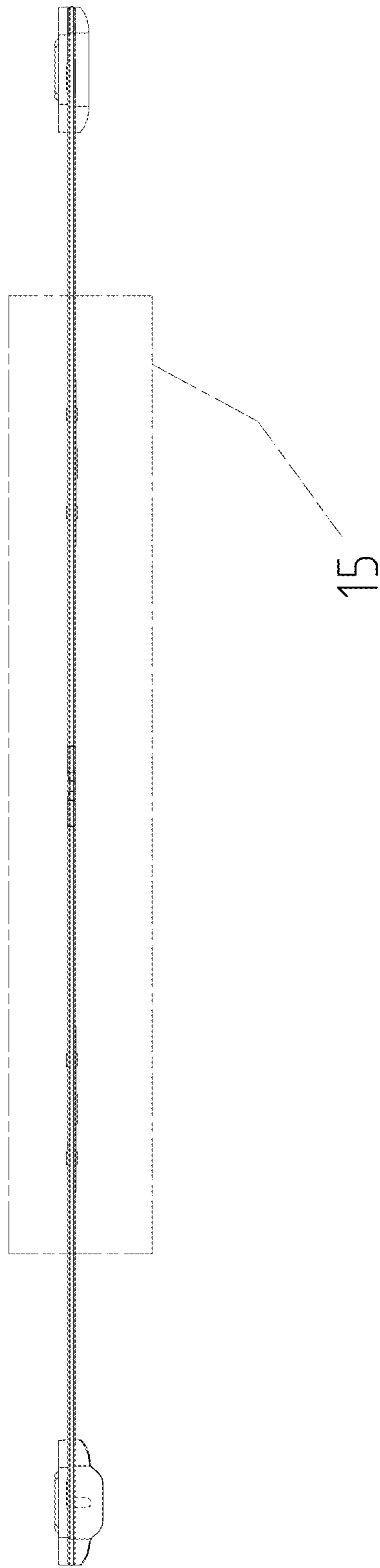


FIG. 8

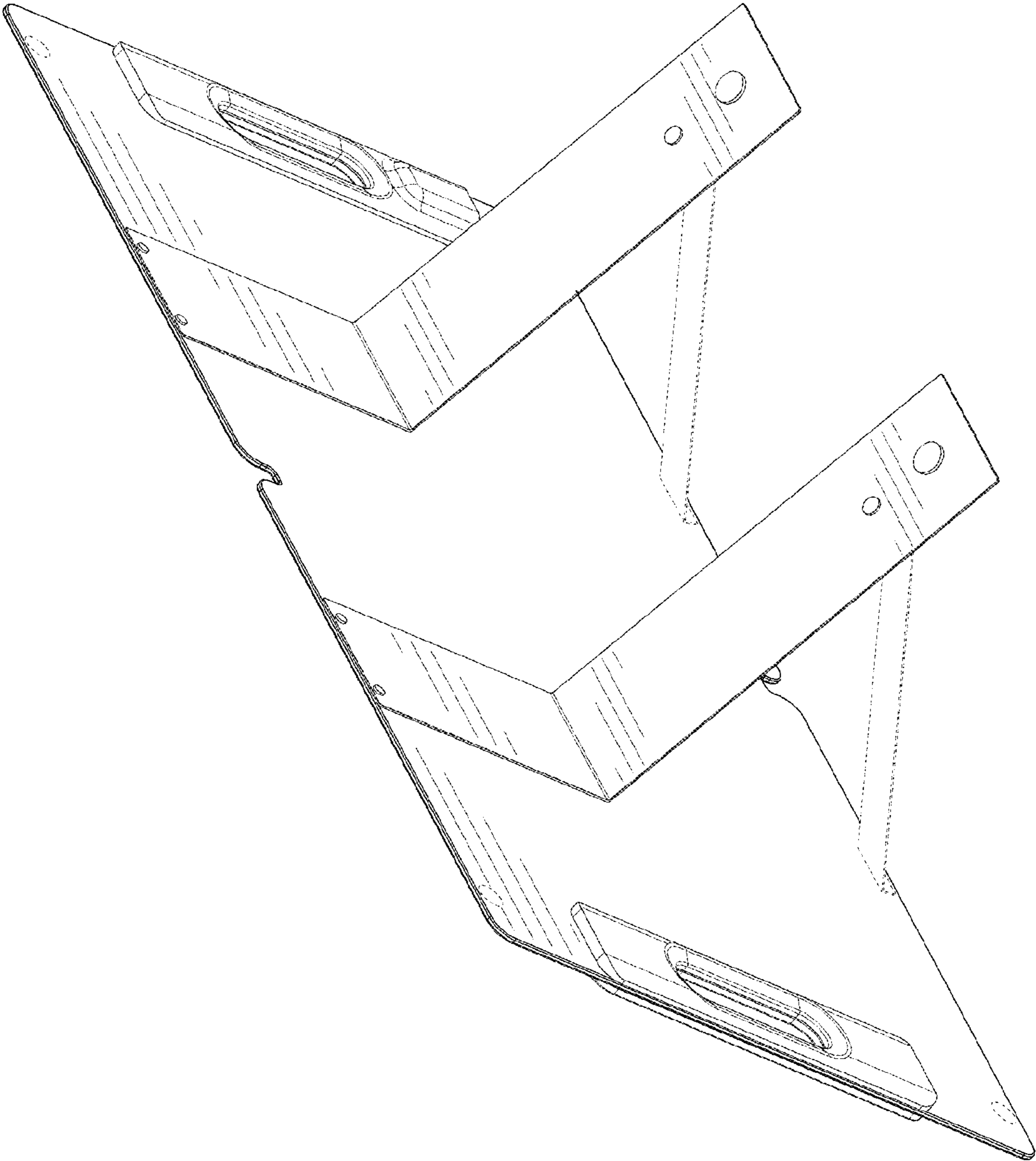


FIG. 9

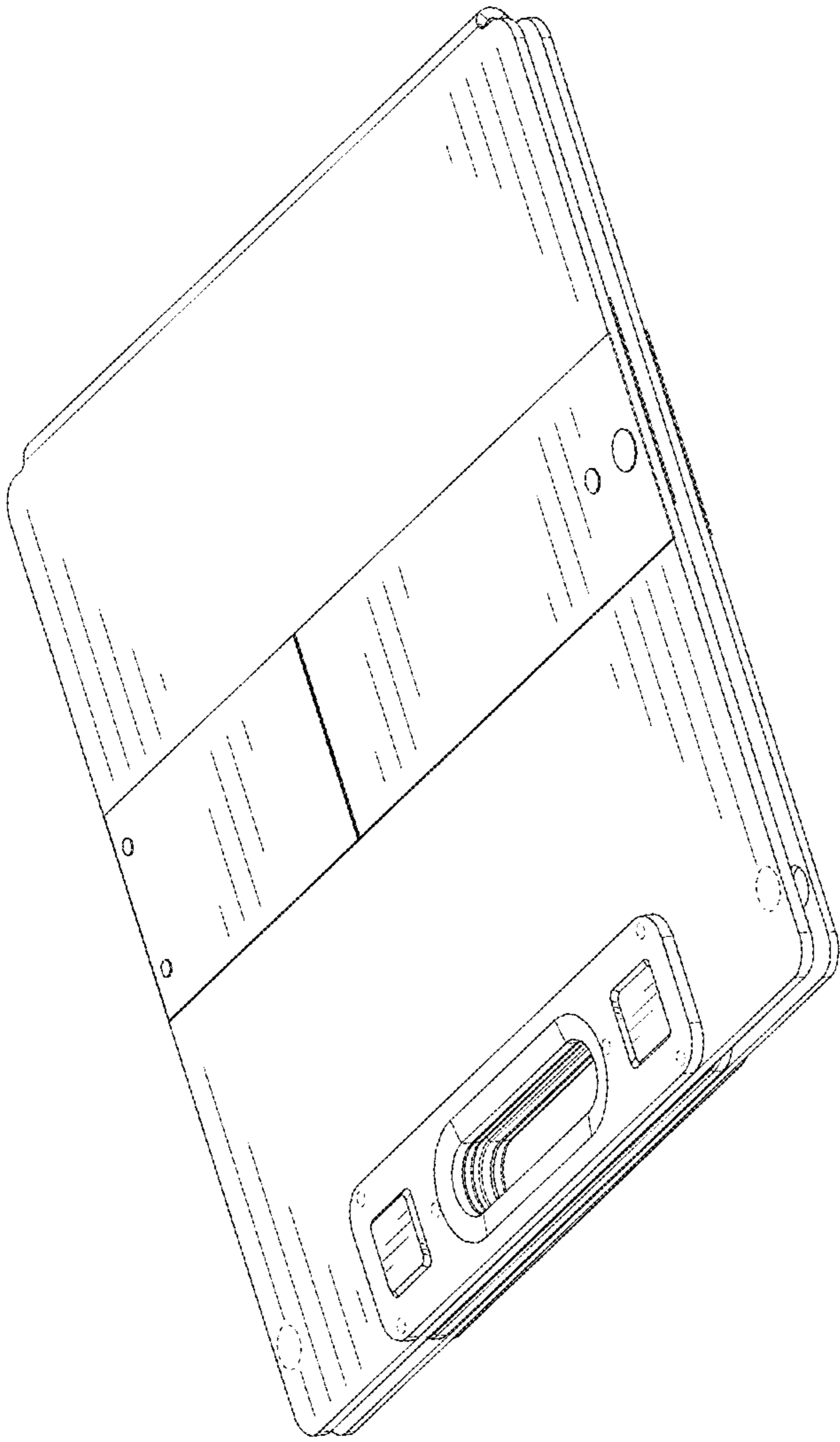


FIG. 10

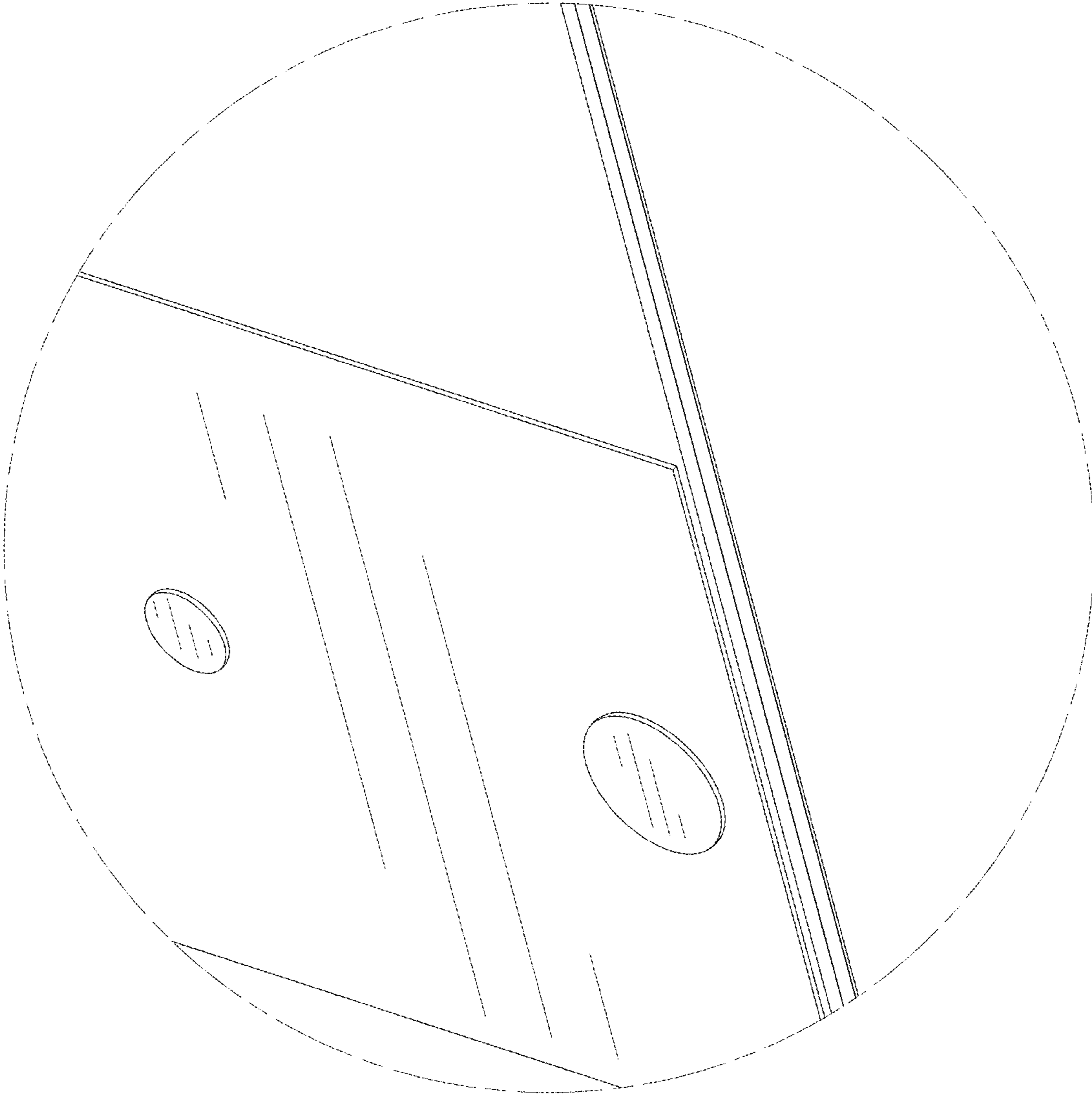


FIG. 11

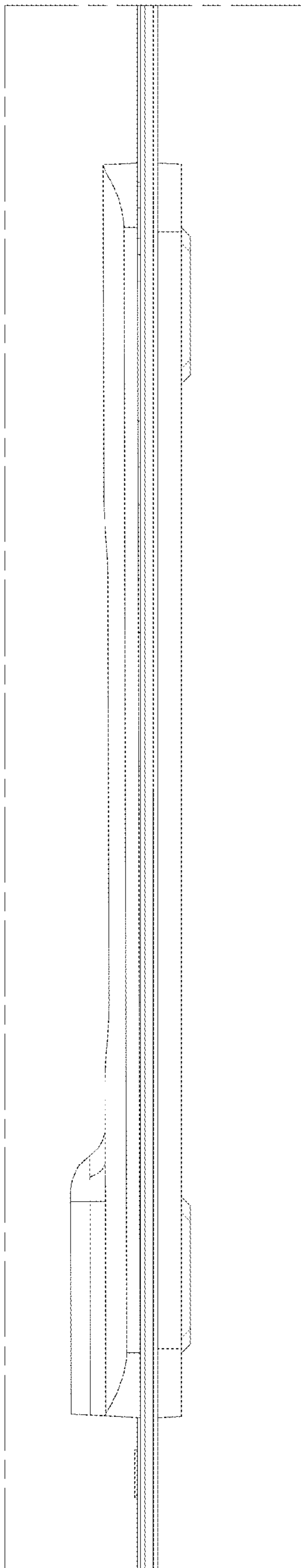


FIG. 12

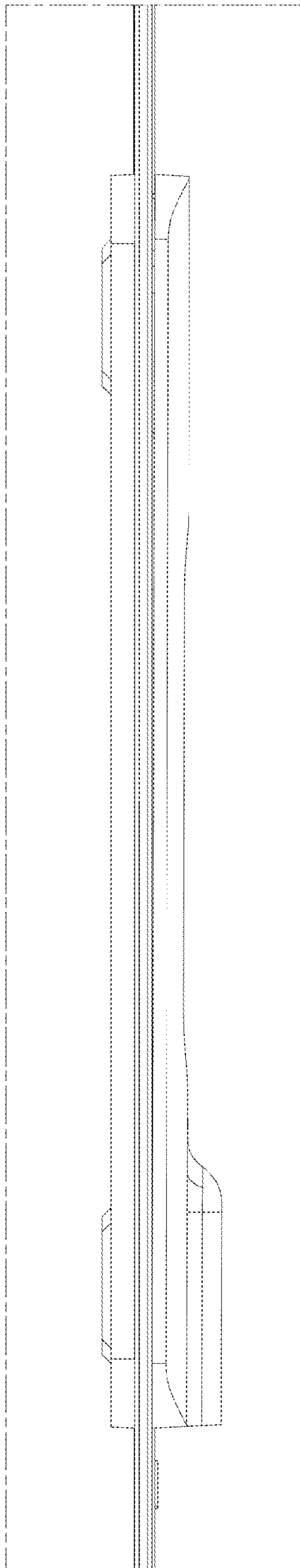


FIG. 13

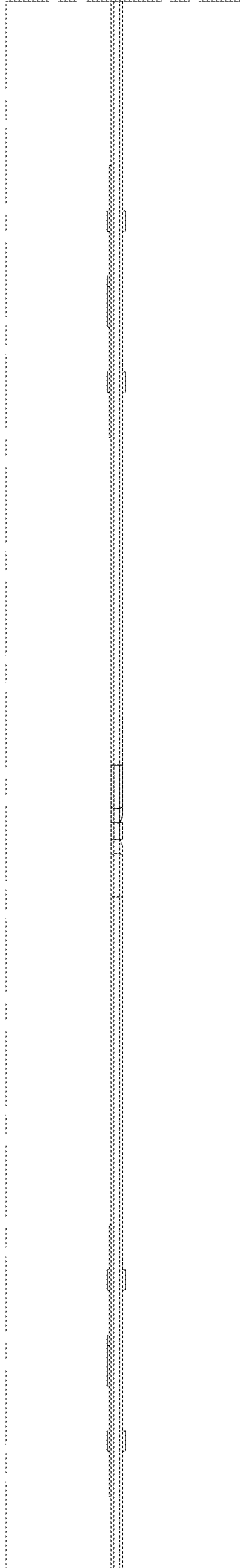


FIG. 14



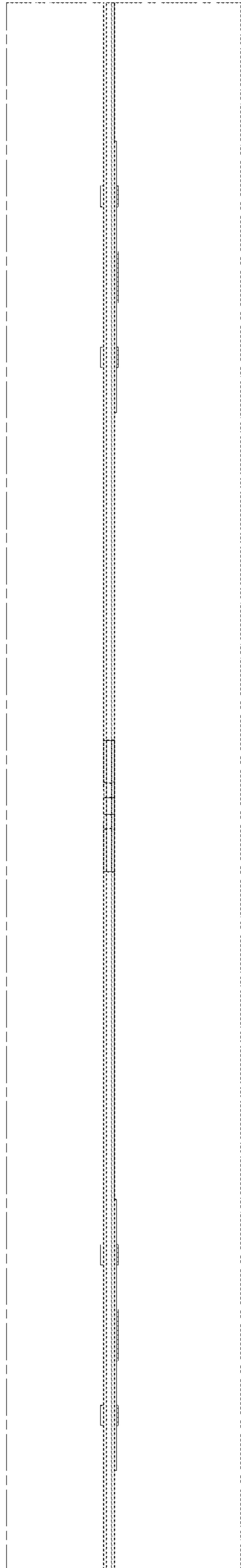


FIG. 15