



US00D977410S

(12) **United States Design Patent**
Sato

(10) **Patent No.:** **US D977,410 S**

(45) **Date of Patent:** **** Feb. 7, 2023**

(54) **TIRE**

(71) Applicant: **Toyo Tire Corporation**, Itami (JP)

(72) Inventor: **Yoshiki Sato**, Itami (JP)

(73) Assignee: **Toyo Tire Corporation**, Itami (JP)

(**) Term: **15 Years**

(21) Appl. No.: **29/776,402**

(22) Filed: **Mar. 30, 2021**

(30) **Foreign Application Priority Data**

Oct. 9, 2020 (JP) 2020-021701 D

(51) **LOC (14) Cl.** **12-15**

(52) **U.S. Cl.**
USPC **D12/600**

(58) **Field of Classification Search**

USPC D12/568-605, 900
CPC Y10T 152/10027; B60C 1/0016; B60C
11/0306; B60C 11/0302; B60C 3/06;
B60C 9/17

See application file for complete search history.

(56) **References Cited**

U.S. PATENT DOCUMENTS

D597,023 S *	7/2009	Park	D12/594
D651,165 S *	12/2011	Grote	D12/599
D725,030 S *	3/2015	Raatikainen	D12/588
D734,710 S *	7/2015	Jacobs	D12/600
D778,810 S *	2/2017	Wu	D12/594
D791,690 S *	7/2017	Ishigaki	D12/594
D913,208 S *	3/2021	Hsueh	D12/594
D920,226 S *	5/2021	Qiu	D12/601
D926,111 S *	7/2021	Yang	D12/600
D932,422 S *	10/2021	Bonitas	D12/588

D939,427 S *	12/2021	Lu	D12/552
D961,497 S *	8/2022	Kochanek	D12/600
2020/0298629 A1 *	9/2020	Notsu	B60C 11/1204

FOREIGN PATENT DOCUMENTS

JP	1579052 S	6/2017
JP	1599824 S	9/2018
JP	1628440 S	4/2019

* cited by examiner

Primary Examiner — John A Voytek

(74) *Attorney, Agent, or Firm* — Sterne, Kessler,
Goldstein & Fox P.L.L.C.

(57) **CLAIM**

The ornamental design for a tire, as shown and described.

DESCRIPTION

FIG. 1 is a front right perspective view of a tire showing the claimed design;

FIG. 2 is a front left perspective view thereof;

FIG. 3 is a front view thereof;

FIG. 4 is a rear view thereof;

FIG. 5 is a top plan view thereof;

FIG. 6 is a bottom plan view thereof;

FIG. 7 is a right side view thereof;

FIG. 8 is a left side view thereof;

FIG. 9 is an enlarged view taken along line 9-9 in FIG. 1;

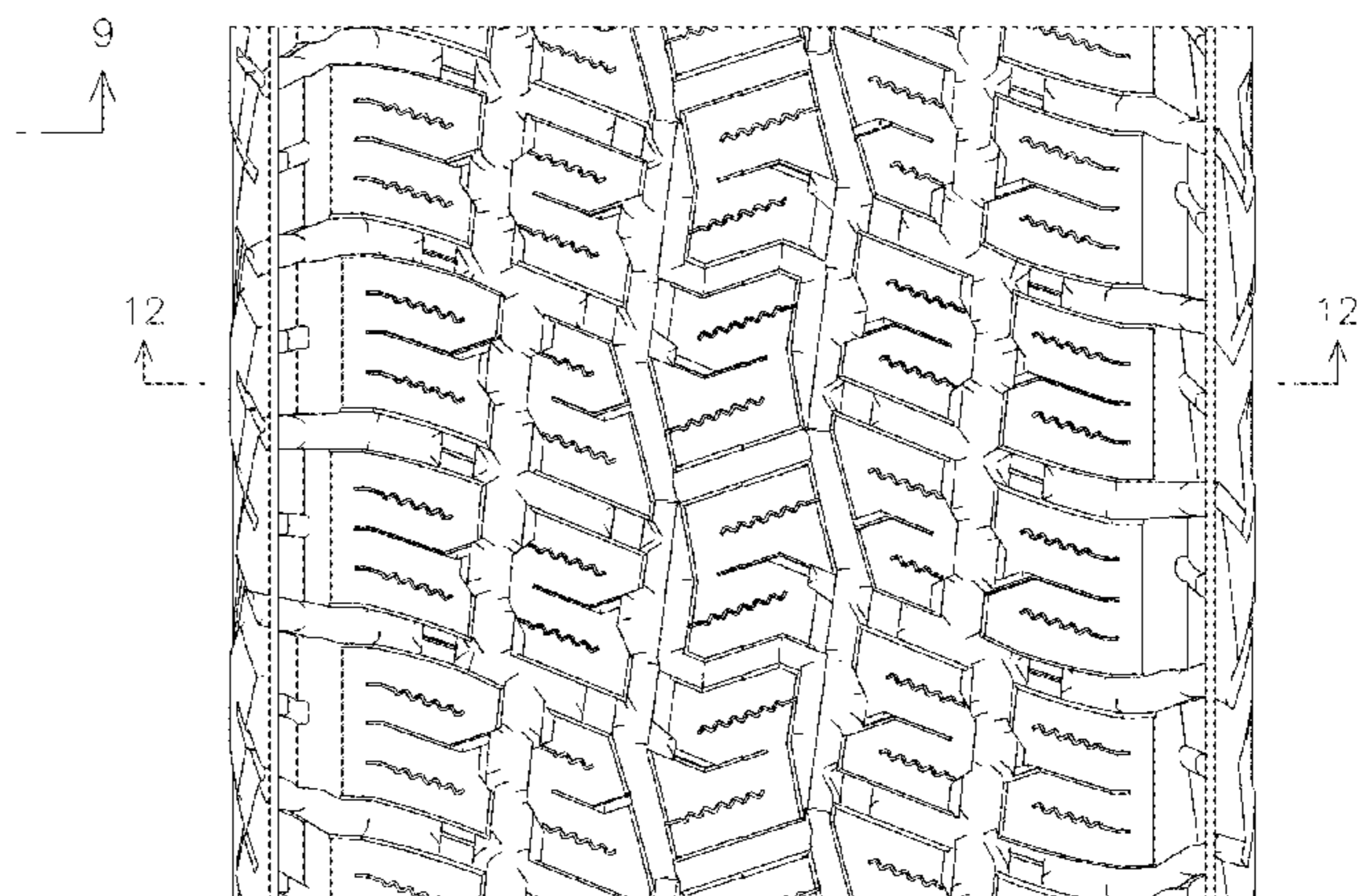
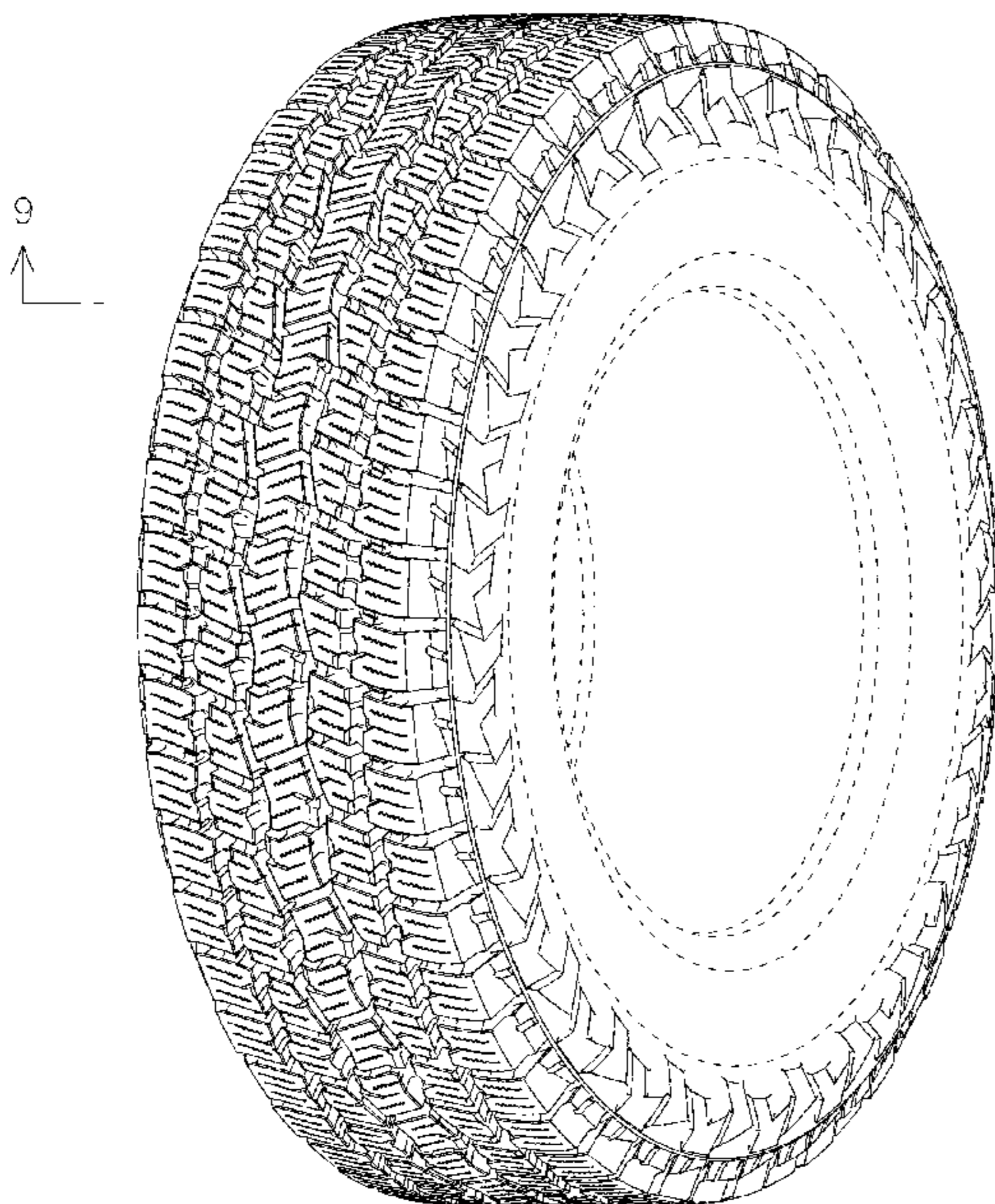
FIG. 10 is an enlarged view taken along line 10-10 in FIG. 2;

FIG. 11 is an enlarged view of the portion 11-11 in FIG. 3; and,

FIG. 12 is a cross-sectional view taken along line 12-12 in FIG. 11.

In the drawings, the broken lines show portions of the tire that form no part of the claimed design. The outermost broken lines of the sidewall form the boundary of the claim and form no part thereof

1 Claim, 12 Drawing Sheets



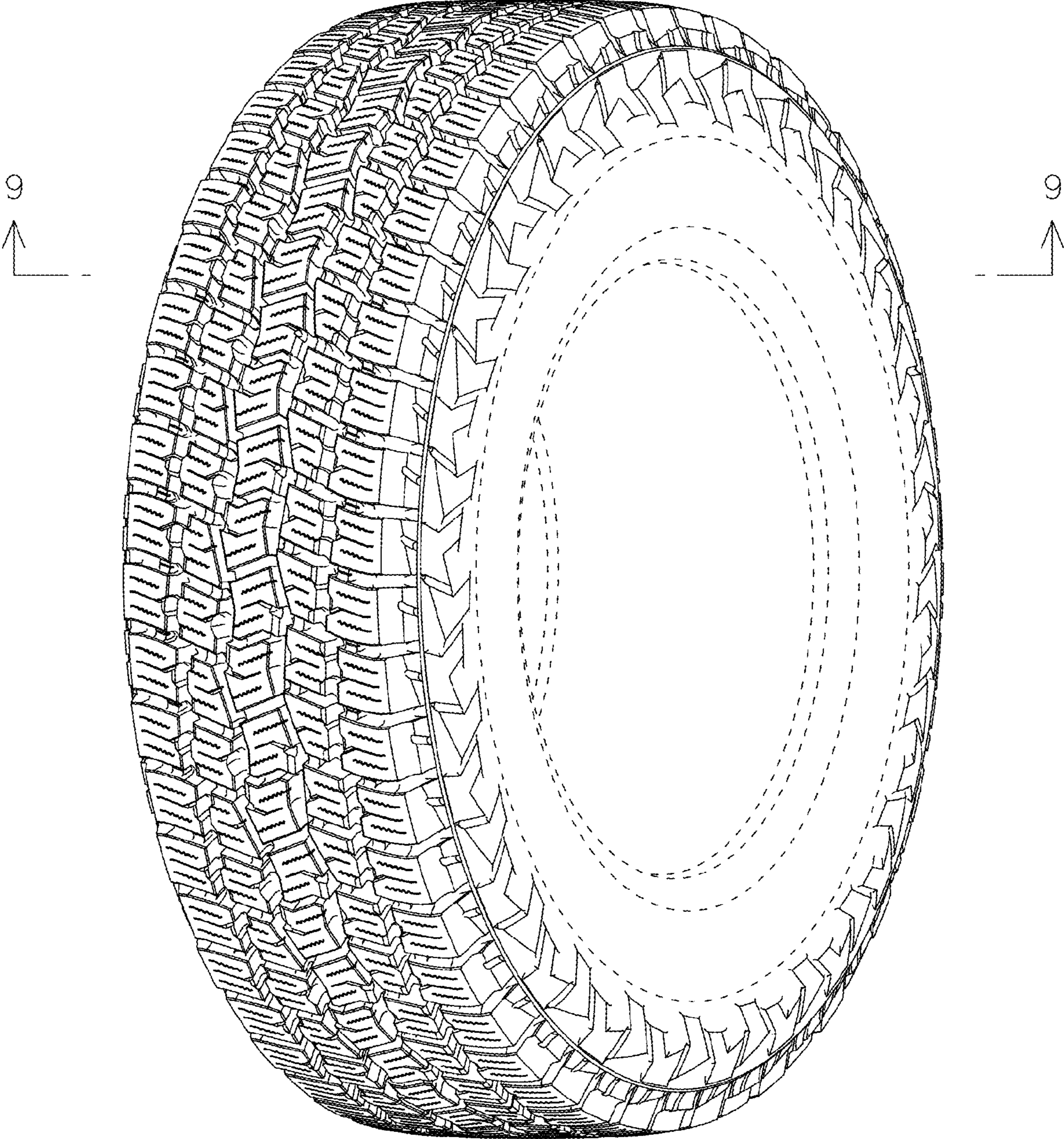


FIG. 1

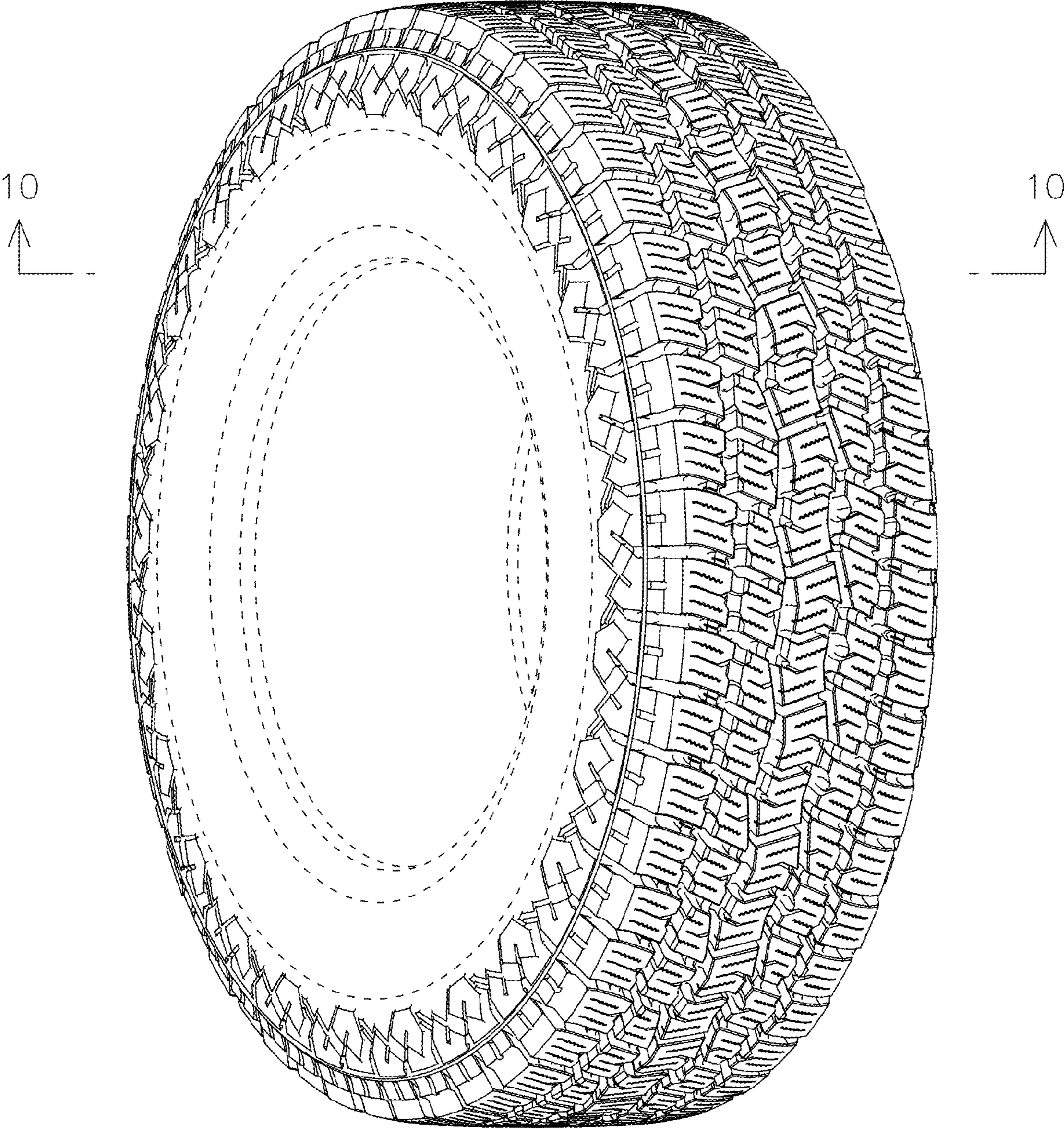


FIG. 2

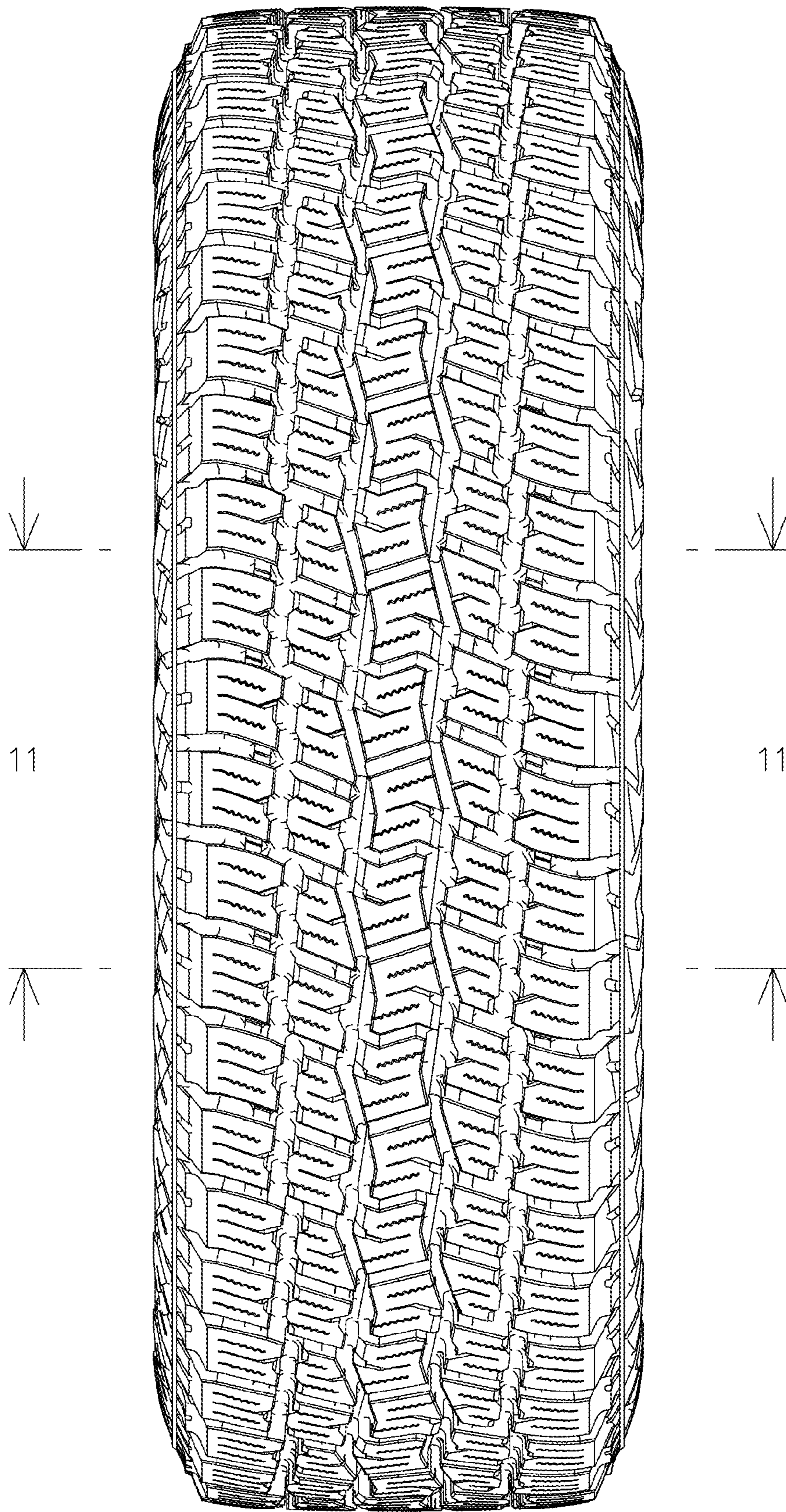


FIG. 3

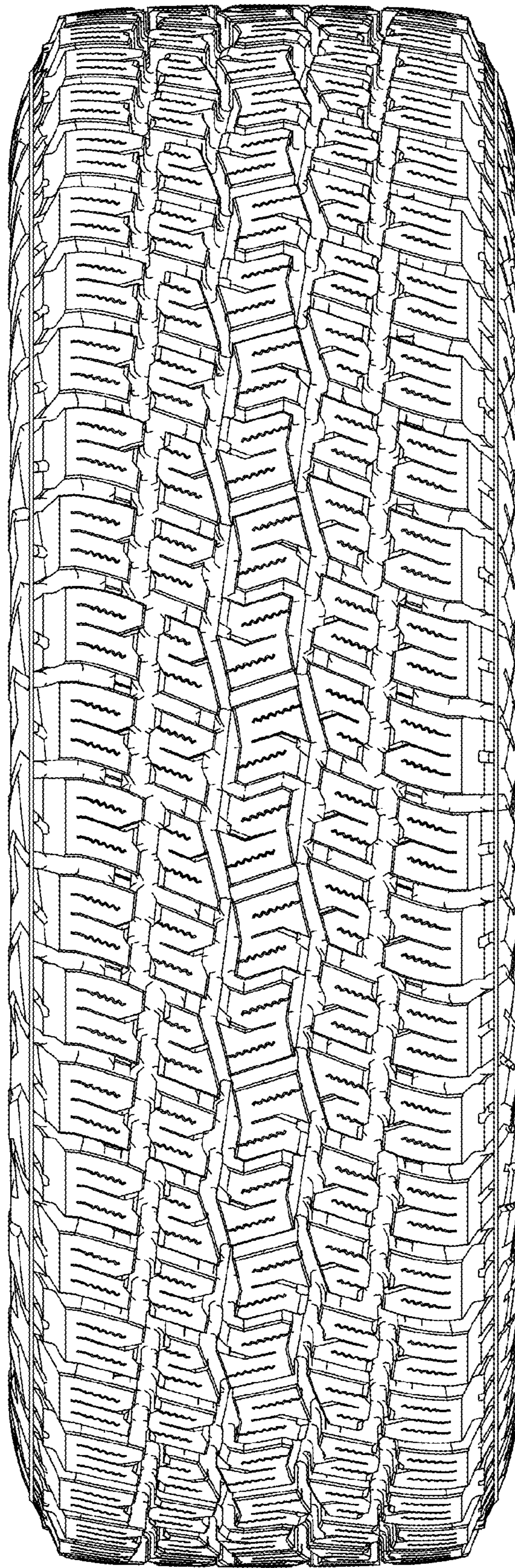


FIG. 4

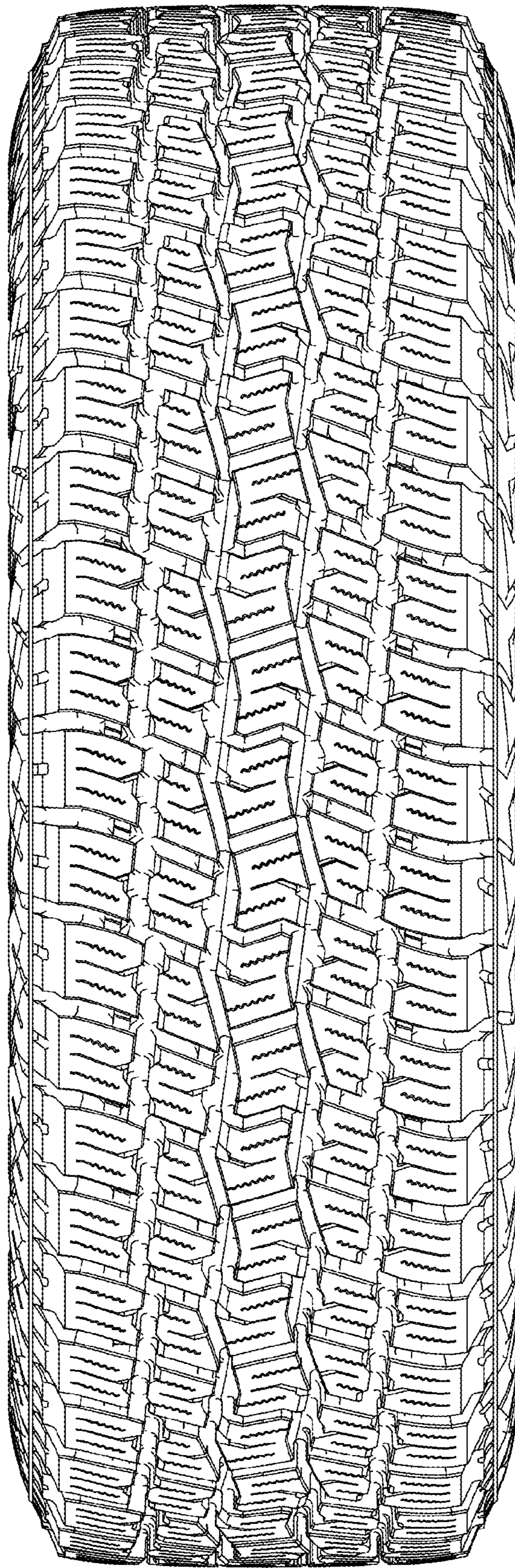


FIG. 5

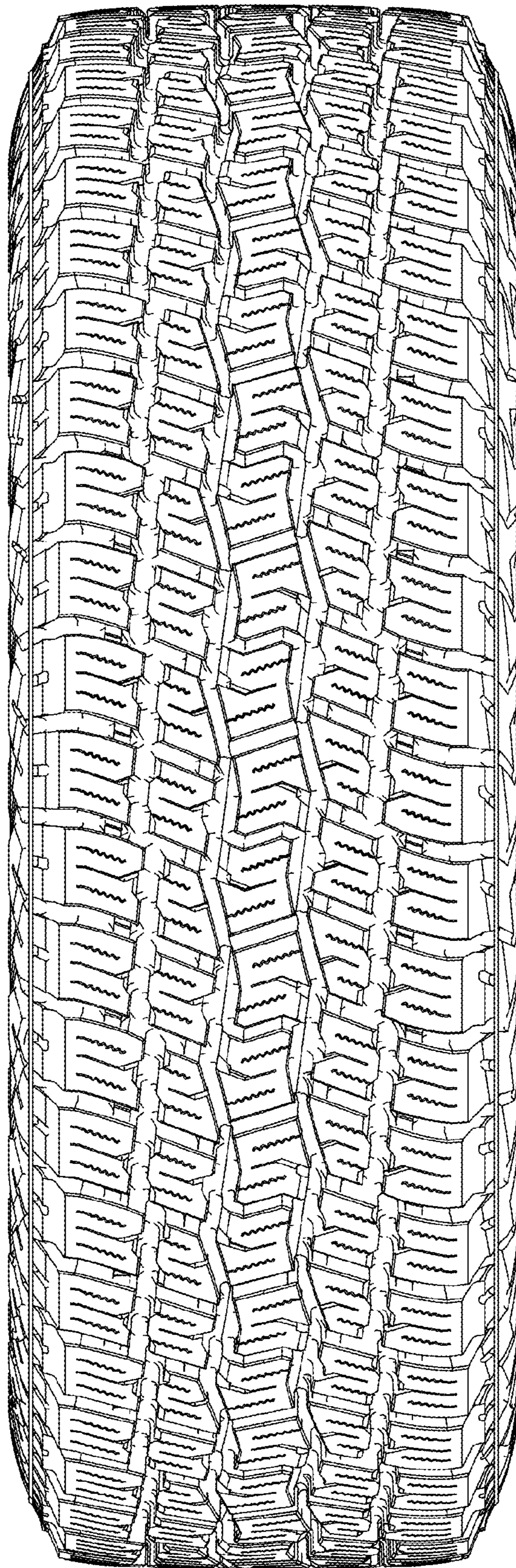


FIG. 6

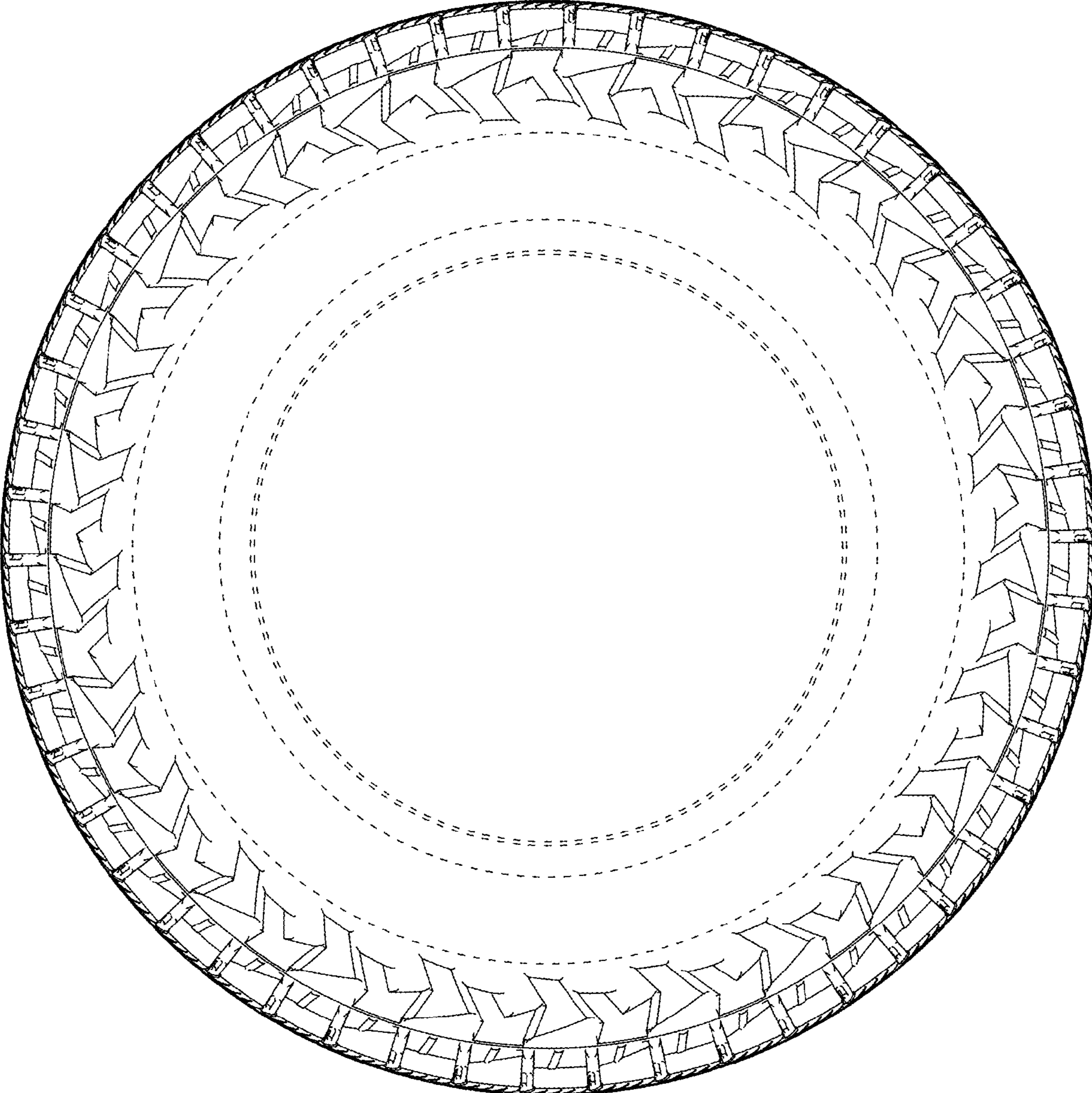


FIG. 7

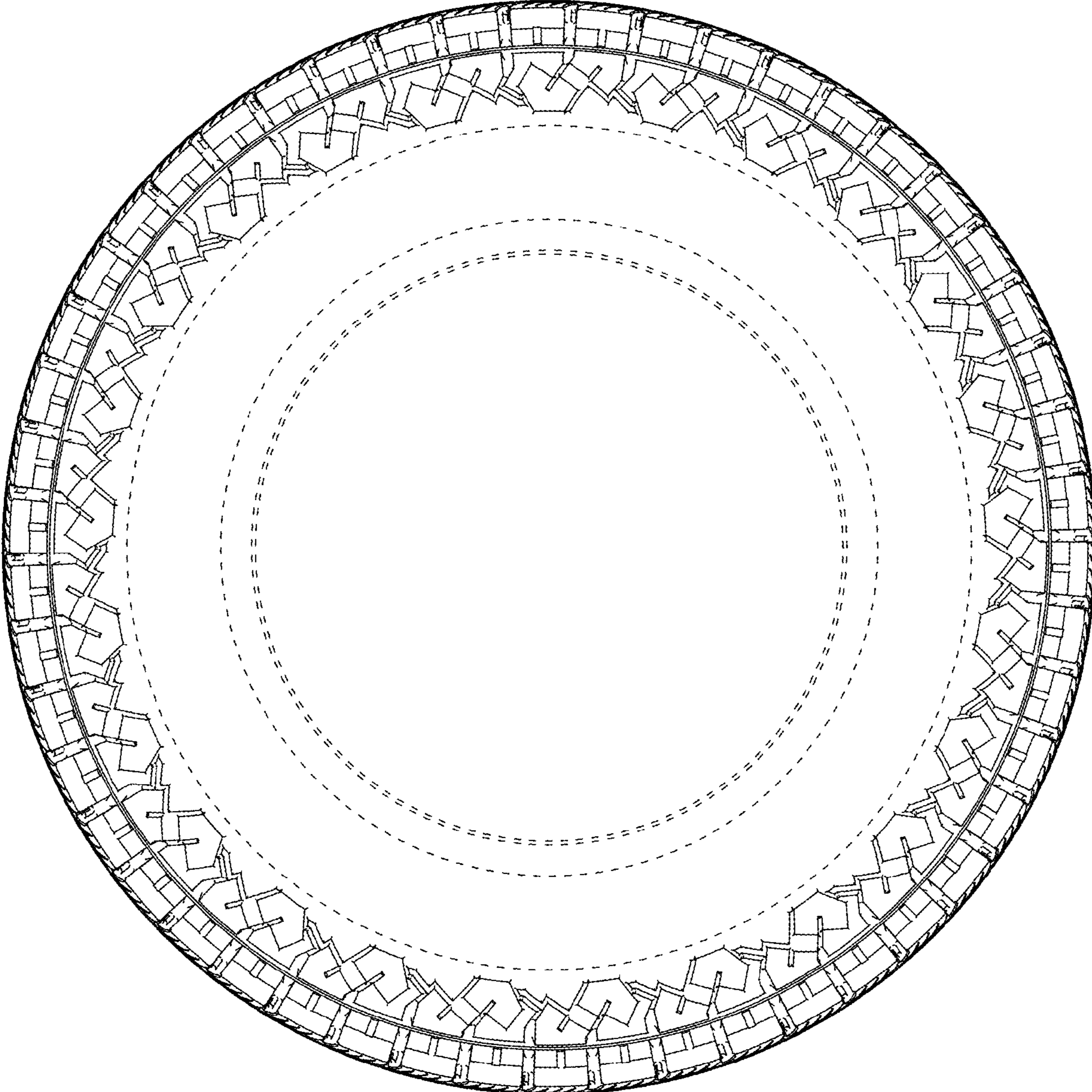


FIG. 8

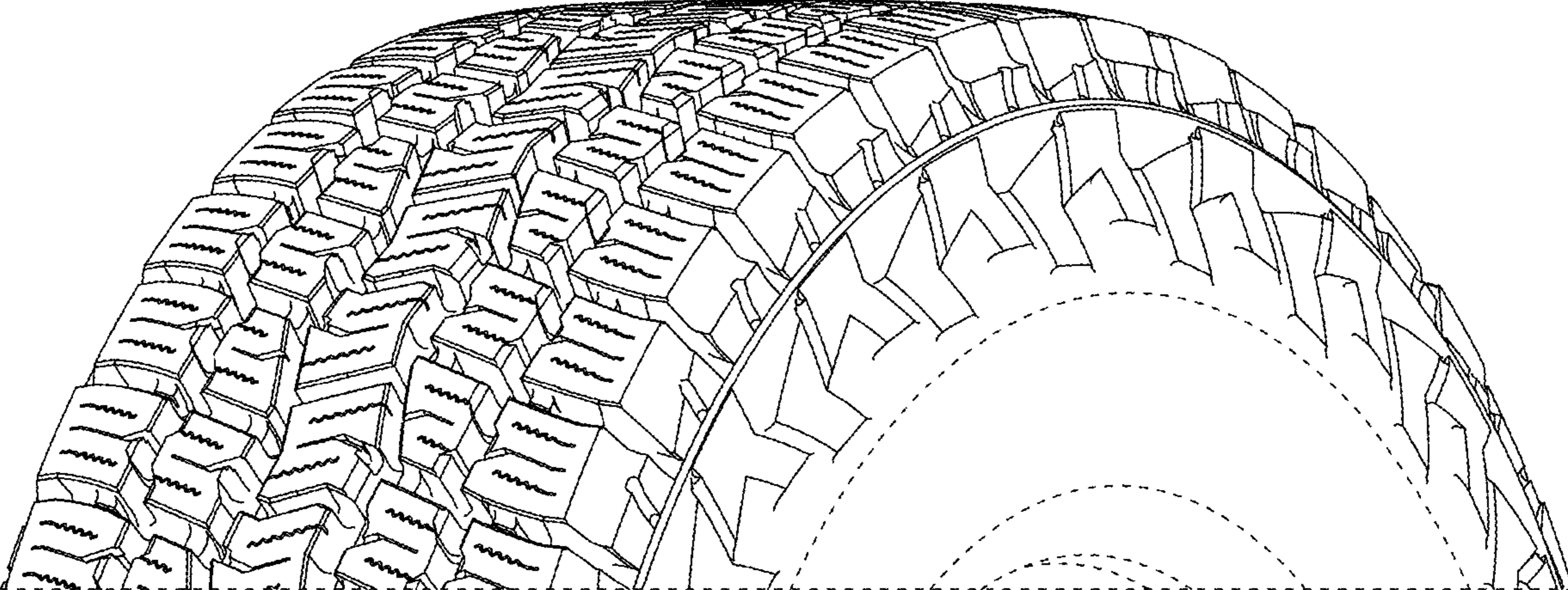


FIG. 9

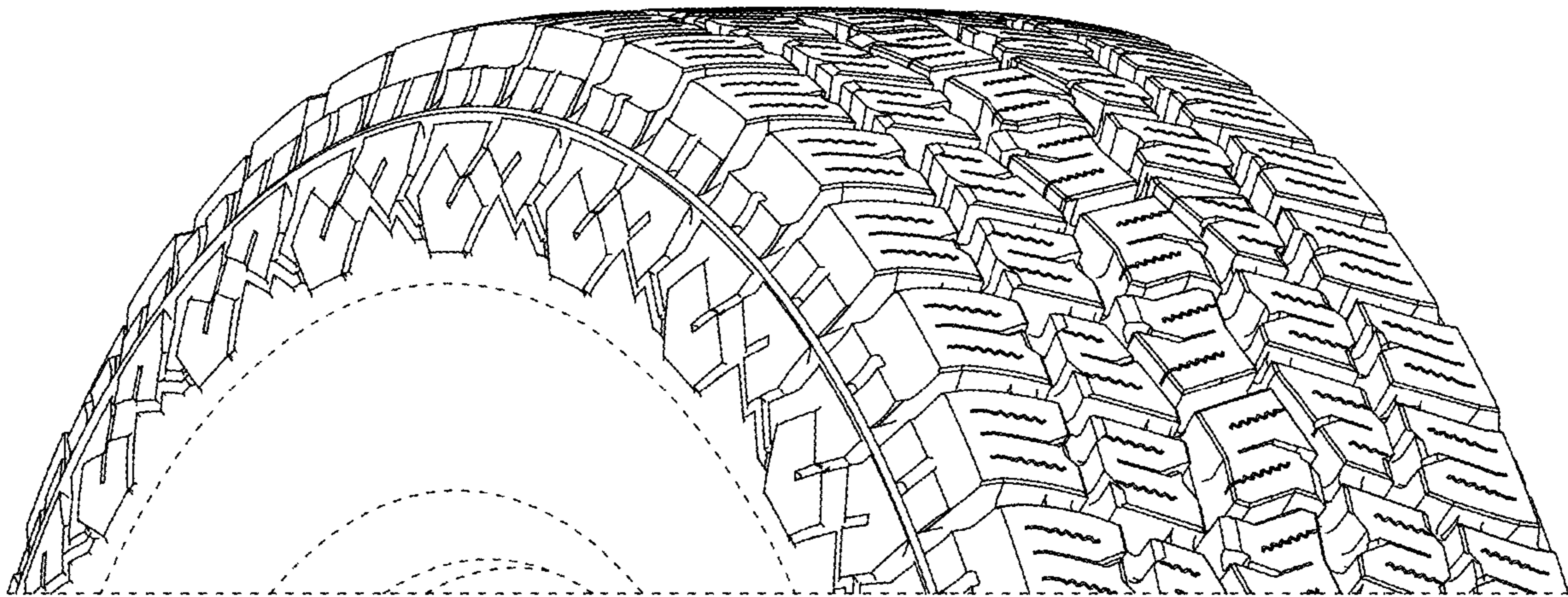


FIG. 10

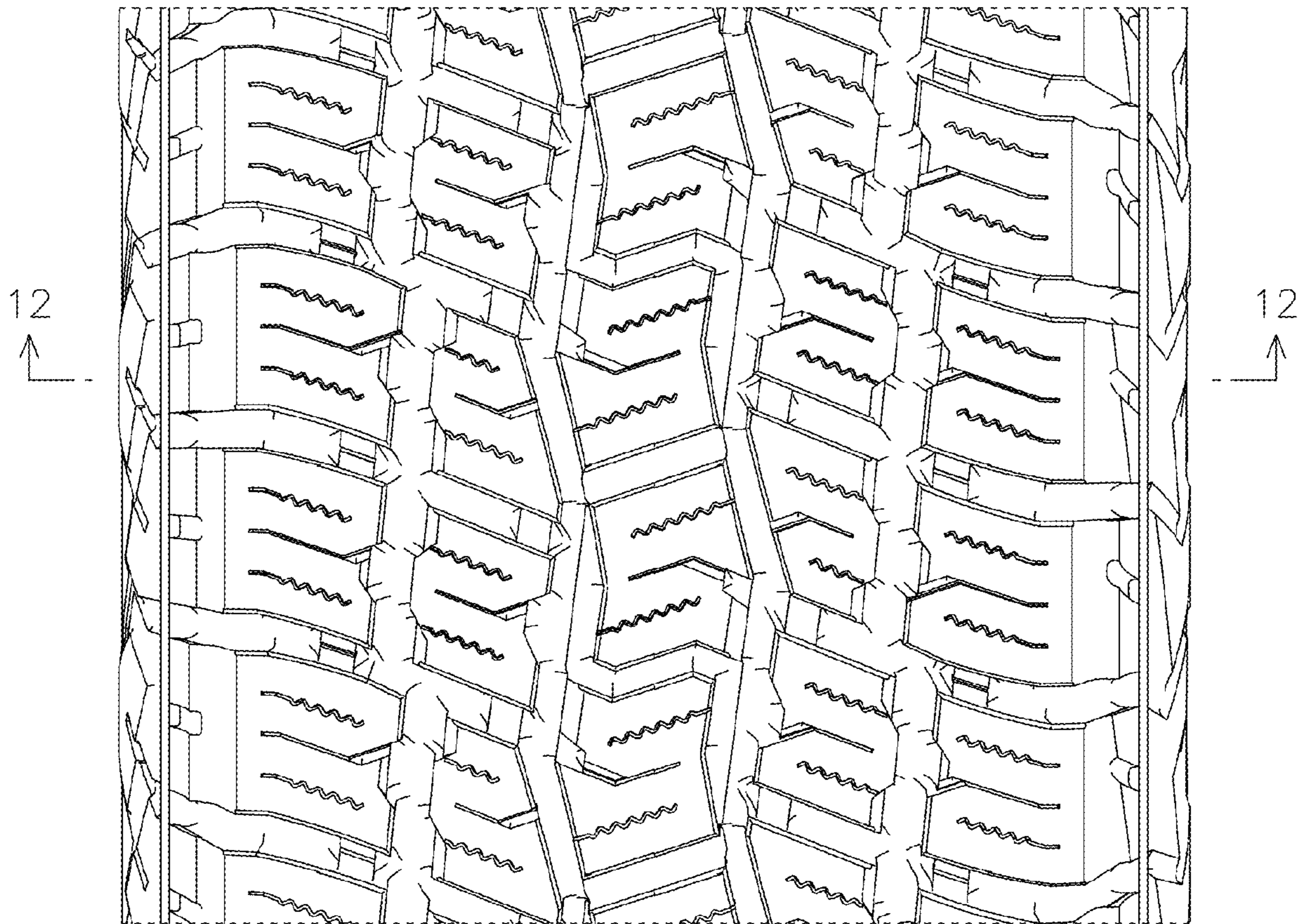


FIG. 11

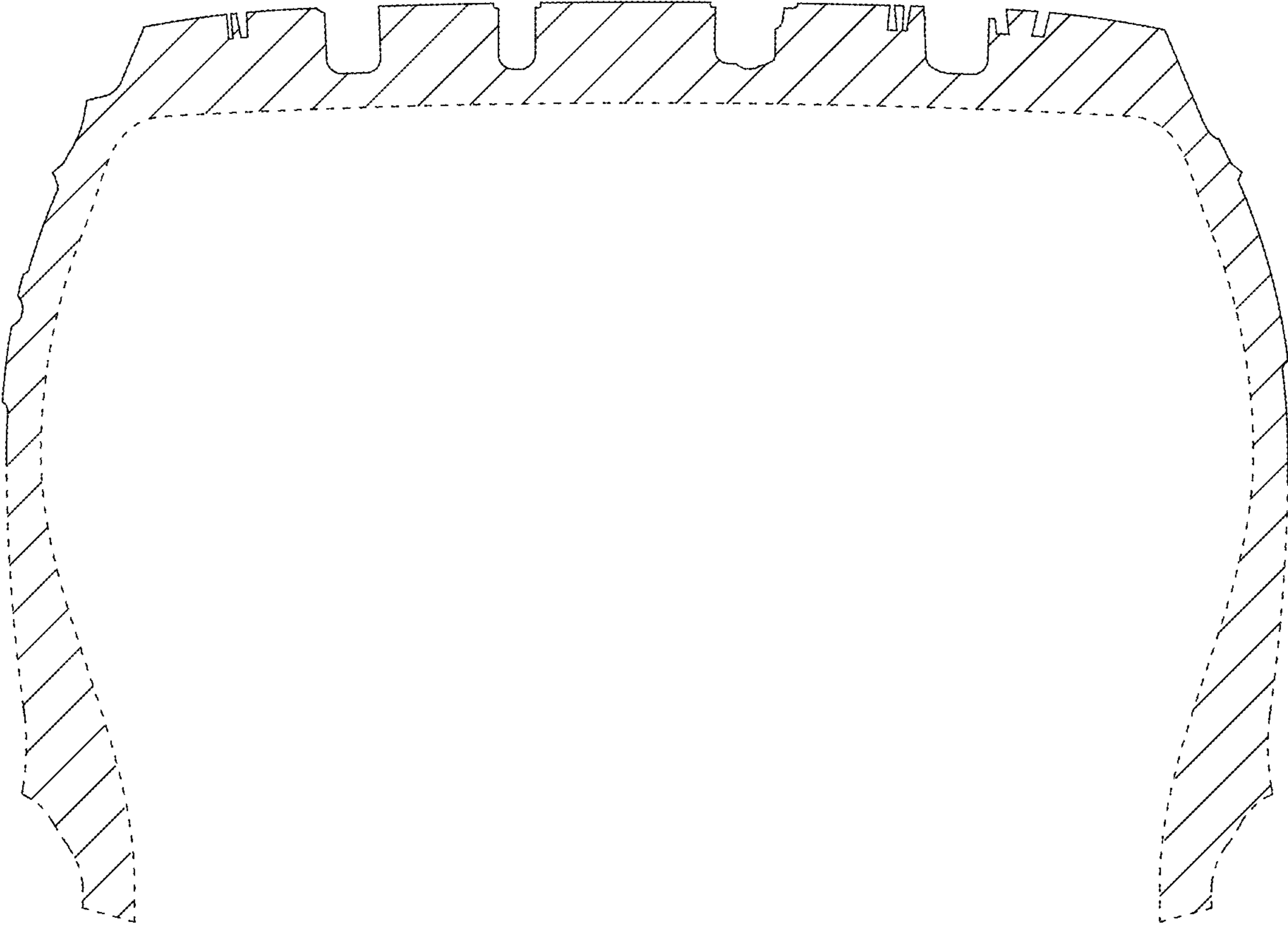


FIG. 12