



US00D977409S

(12) **United States Design Patent**
Sato

(10) **Patent No.:** **US D977,409 S**
(45) **Date of Patent:** **** Feb. 7, 2023**

- (54) **TIRE**
- (71) Applicant: **Toyo Tire Corporation**, Itami (JP)
- (72) Inventor: **Yoshiki Sato**, Itami (JP)
- (73) Assignee: **Toyo Tire Corporation**, Itami (JP)
- (**) Term: **15 Years**
- (21) Appl. No.: **29/776,443**
- (22) Filed: **Mar. 30, 2021**
- (30) **Foreign Application Priority Data**
Oct. 9, 2020 (JP) 2020-021702 D
- (51) **LOC (14) Cl.** **12-15**
- (52) **U.S. Cl.**
USPC **D12/594**
- (58) **Field of Classification Search**
USPC D12/568-605, 900
CPC Y10T 152/10027; B60C 1/0016; B60C
11/0306; B60C 11/0302; B60C 3/06;
B60C 9/17
See application file for complete search history.

- (56) **References Cited**
U.S. PATENT DOCUMENTS
D730,272 S * 5/2015 Fleckner D12/900
D734,710 S * 7/2015 Jacobs D12/600
D736,694 S * 8/2015 Jacobs D12/594
D773,385 S * 12/2016 Kuwano D12/594
D810,669 S * 2/2018 Johnson D12/579
D845,224 S * 4/2019 Kochanek D12/900
D873,763 S * 1/2020 Petr D12/900
D878,284 S * 3/2020 Henderson D12/593
D884,587 S * 5/2020 Jiang D12/579
D884,588 S * 5/2020 Sato D12/579
D894,821 S * 9/2020 Petr D12/594

D899,350 S * 10/2020 Henderson	D12/594
D904,971 S * 12/2020 Zhang	D12/579
D937,756 S * 12/2021 Gaydos	D12/579
D950,480 S * 5/2022 Lin	D12/594

FOREIGN PATENT DOCUMENTS

JP	1370236 S	10/2009
JP	1394167 S	1/2012
JP	1628440 S	4/2019

* cited by examiner

Primary Examiner — John A Voytek

(74) Attorney, Agent, or Firm — Sterne, Kessler, Goldstein & Fox P.L.L.C.

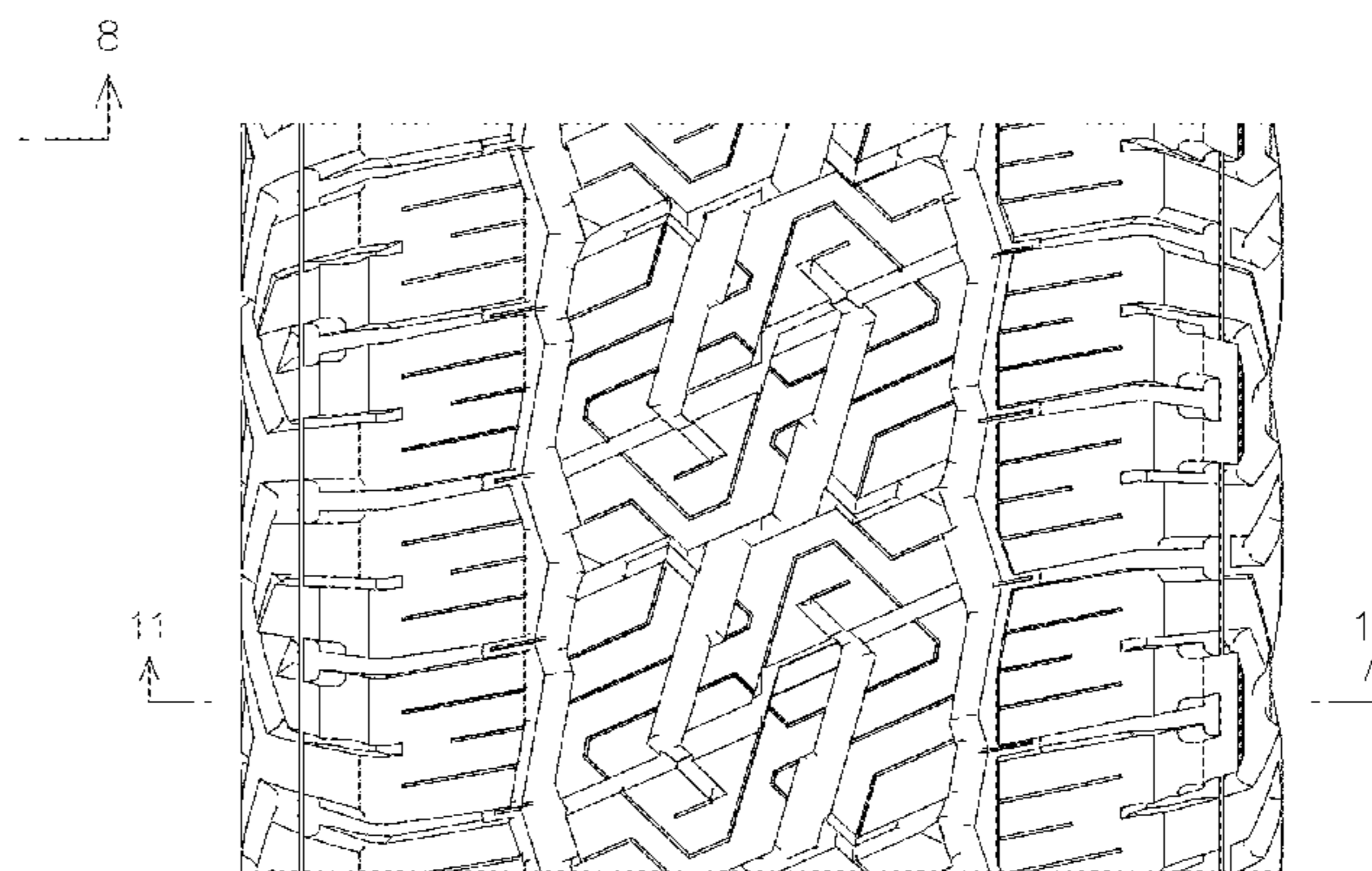
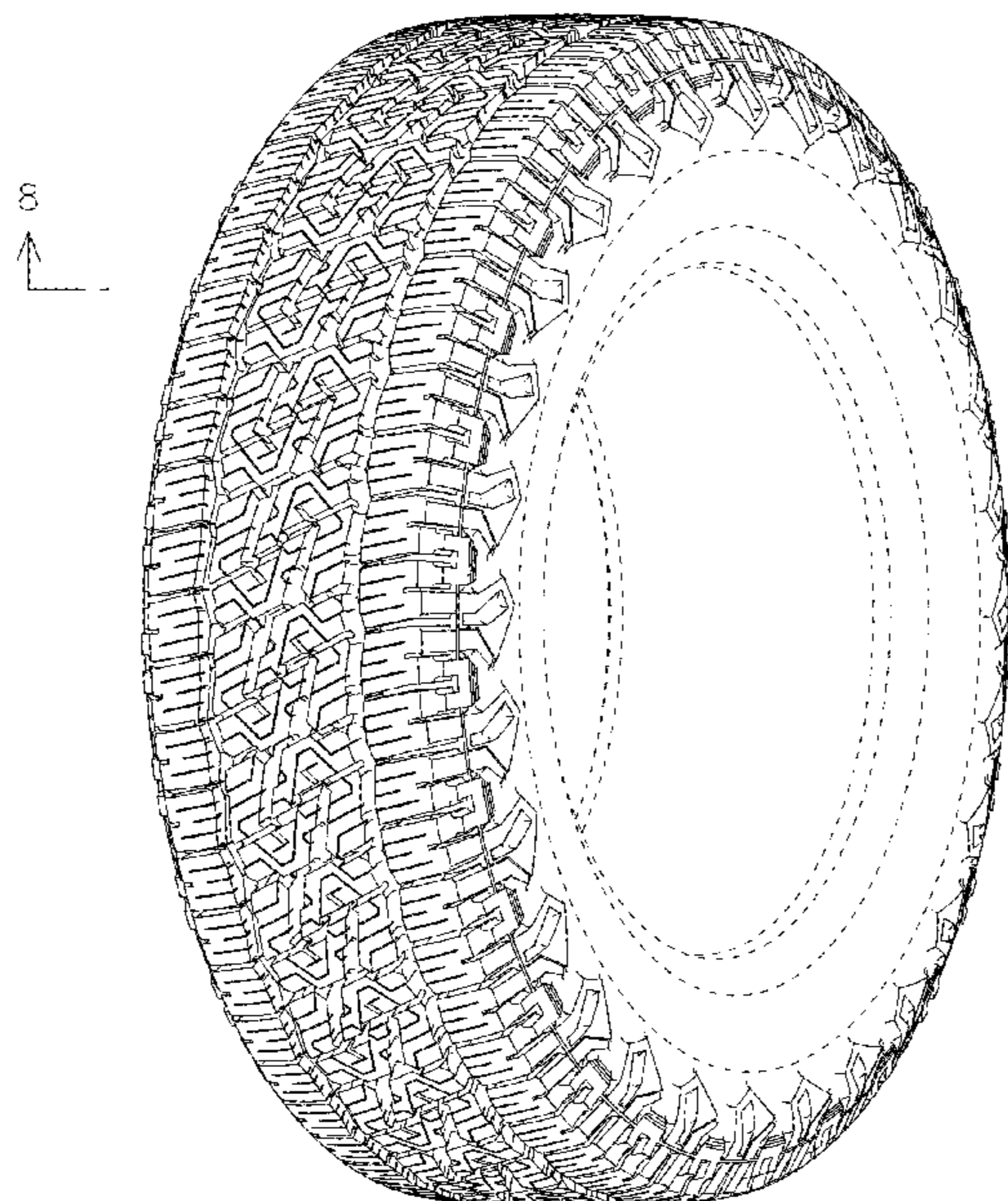
(57) **CLAIM**

The ornamental design for a tire, as shown and described.

DESCRIPTION

FIG. 1 is a front right perspective view of a tire showing the claimed design;
 FIG. 2 is a front left perspective view thereof;
 FIG. 3 is a front view thereof;
 FIG. 4 is a rear view thereof;
 FIG. 5 is a top plan view thereof, the bottom plan view being the same;
 FIG. 6 is a right side view thereof;
 FIG. 7 is a left side view thereof;
 FIG. 8 is an enlarged view taken along line 8-8 in FIG. 1;
 FIG. 9 is an enlarged view taken along line 9-9 in FIG. 2;
 FIG. 10 is an enlarged view of the portion 10-10 in FIG. 3; and,
 FIG. 11 is a cross-sectional view taken along line 11-11 in FIG. 10.
 In the drawings, the broken lines show portions of the tire that form no part of the claimed design. The outermost broken lines of the sidewall form the boundary of the claim and form no part thereof.

1 Claim, 11 Drawing Sheets



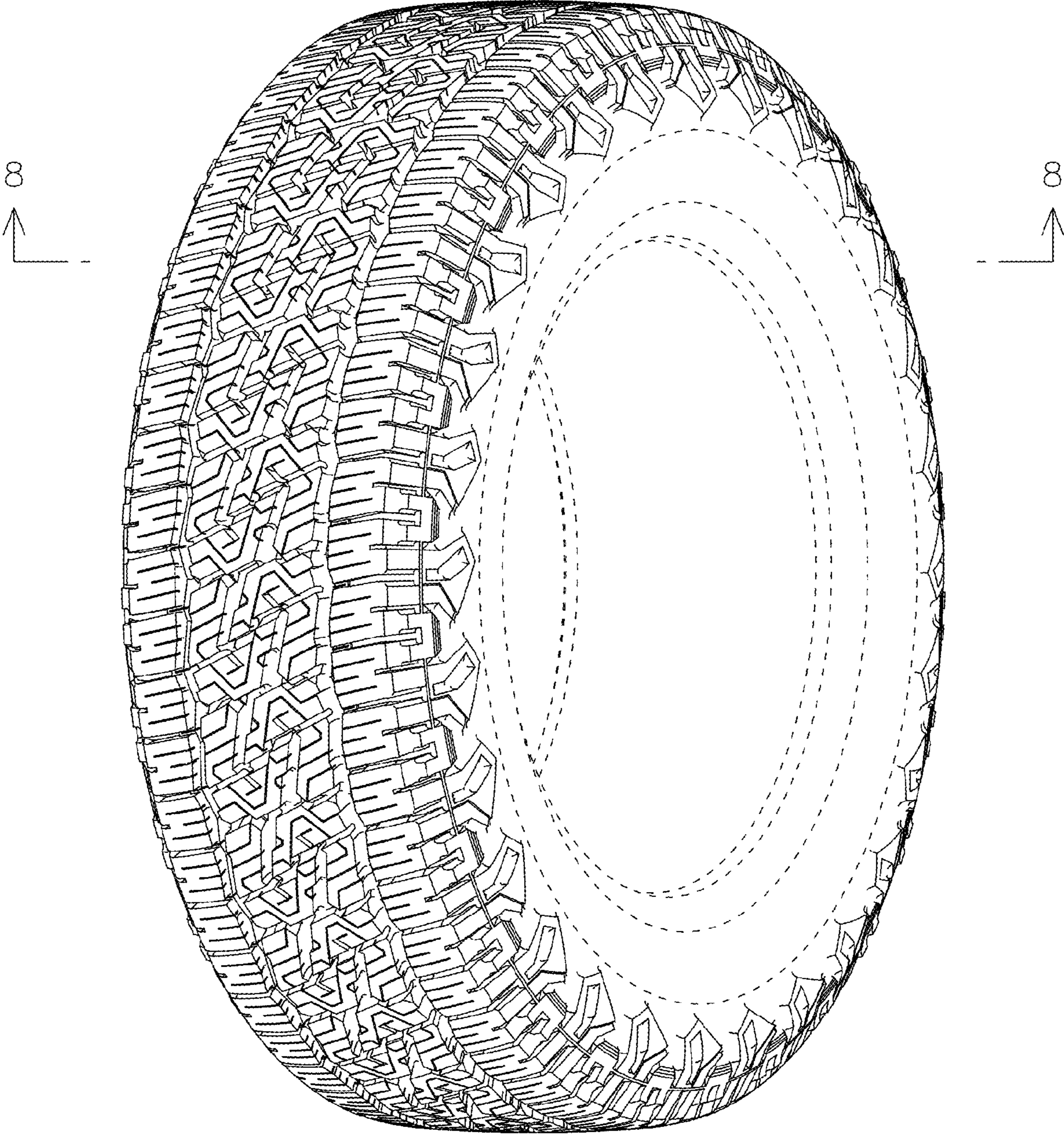


FIG. 1

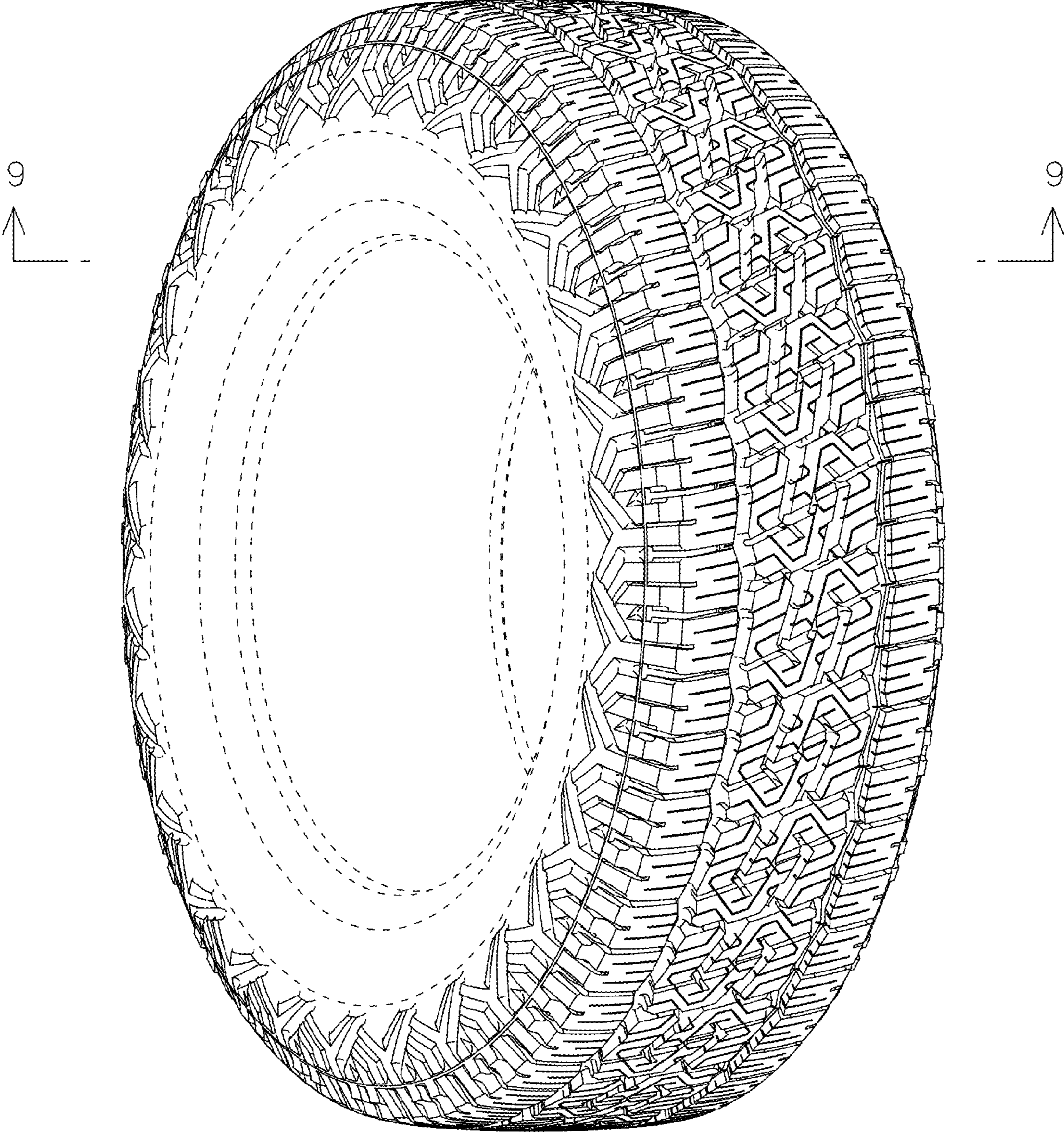


FIG. 2

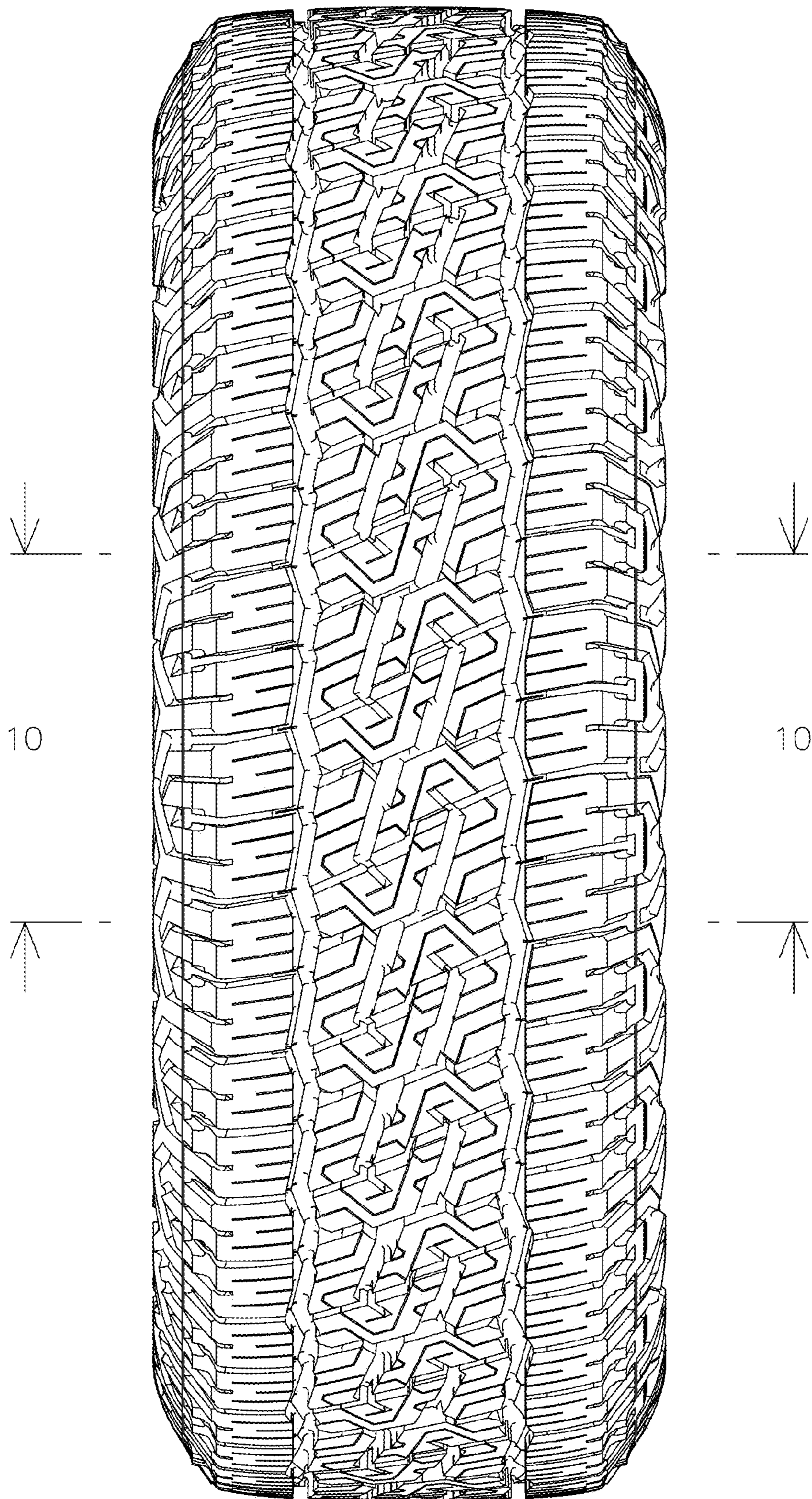


FIG. 3

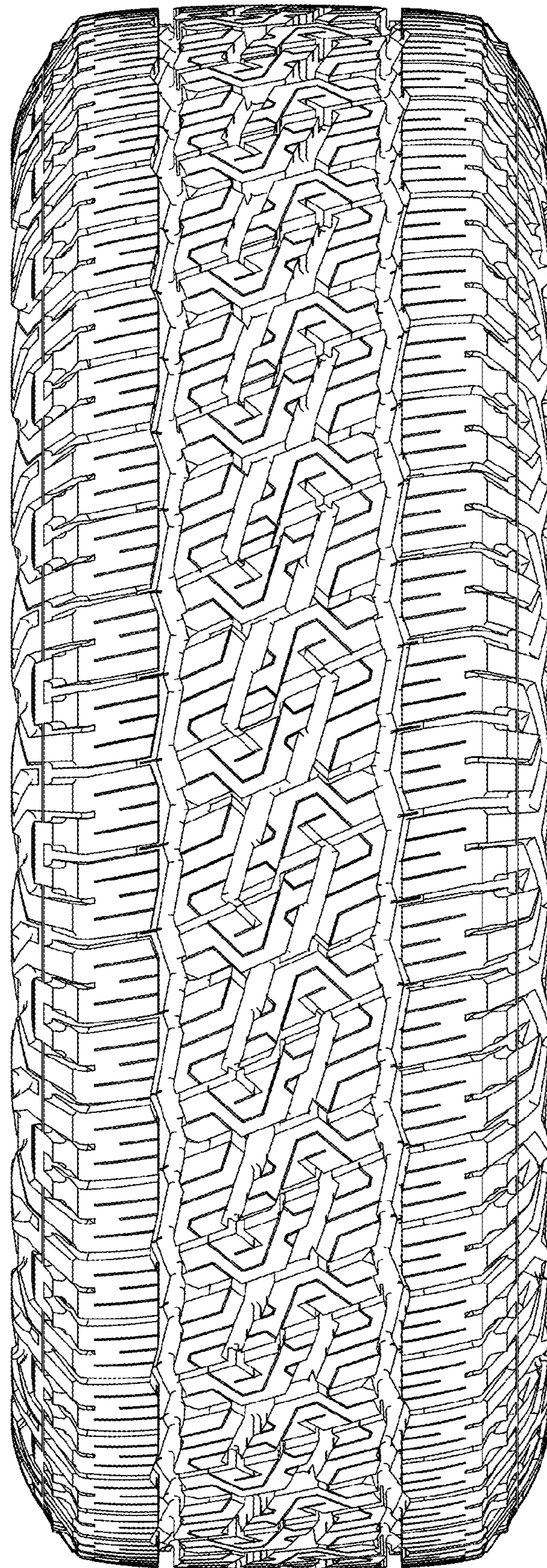


FIG. 4

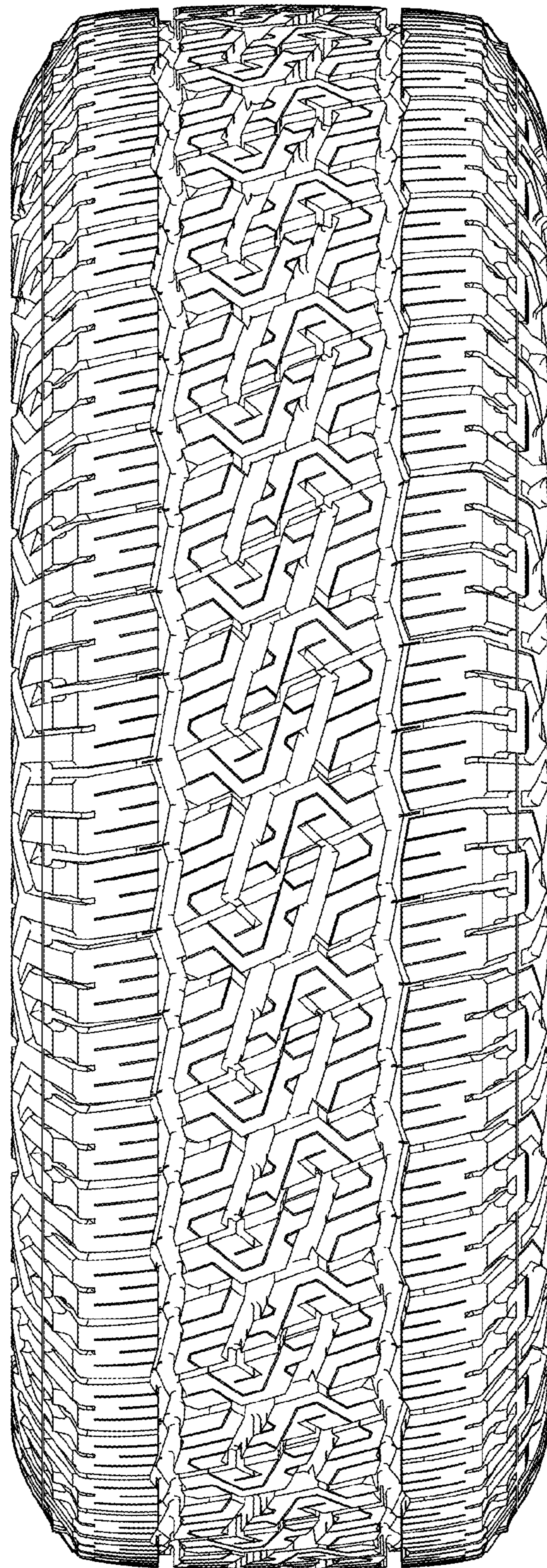


FIG. 5

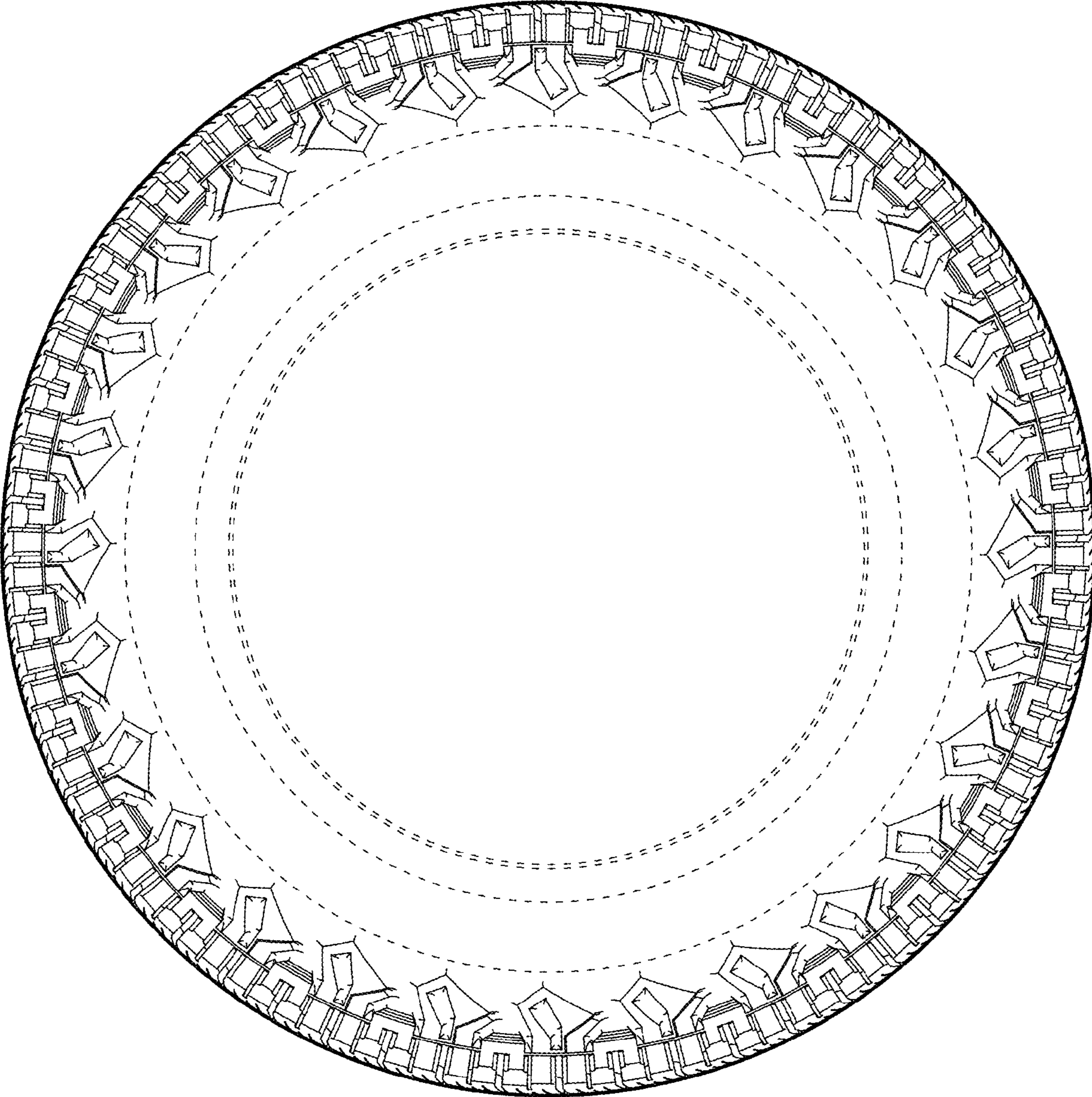


FIG. 6

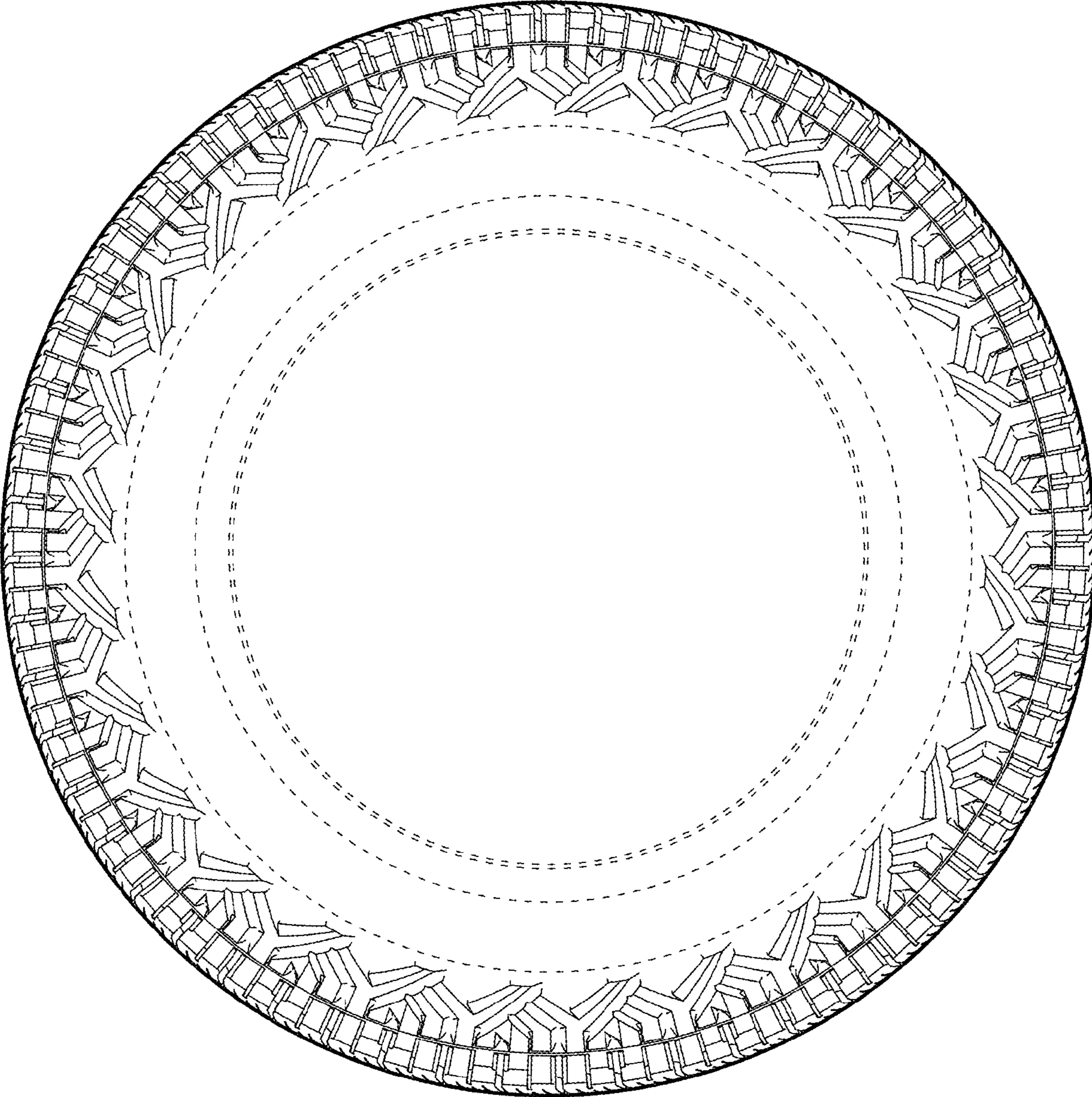


FIG. 7

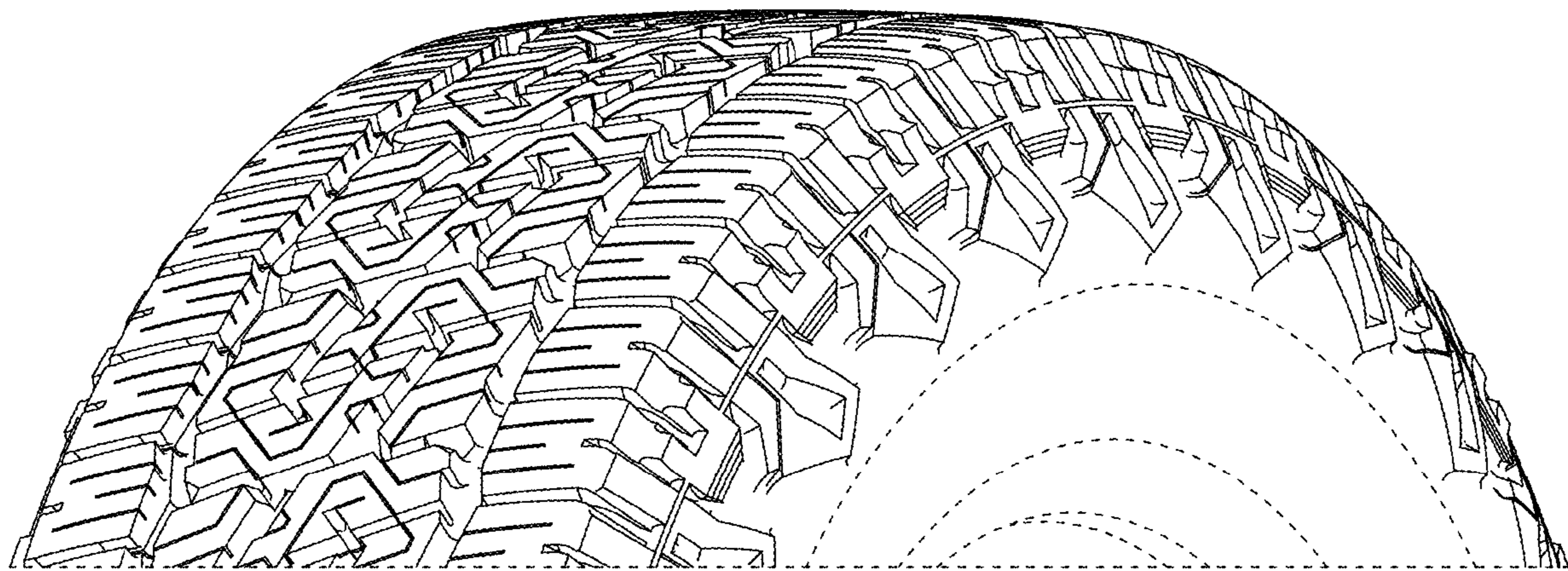


FIG. 8

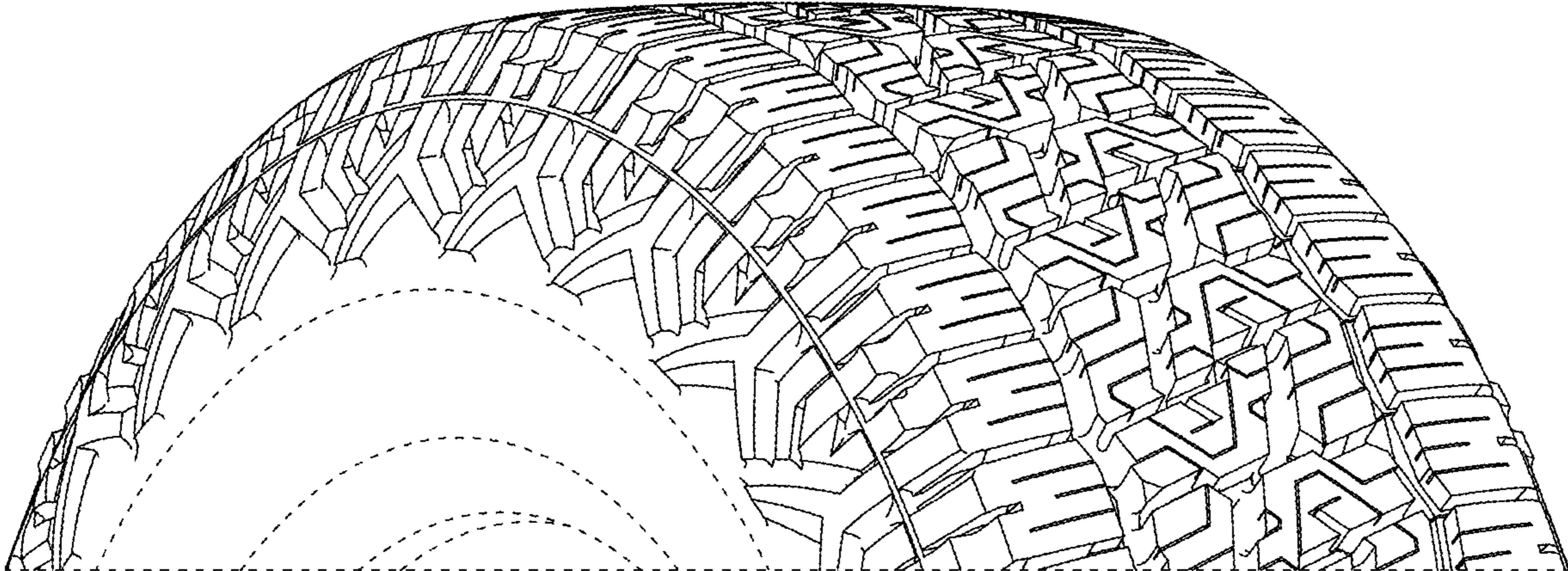


FIG. 9

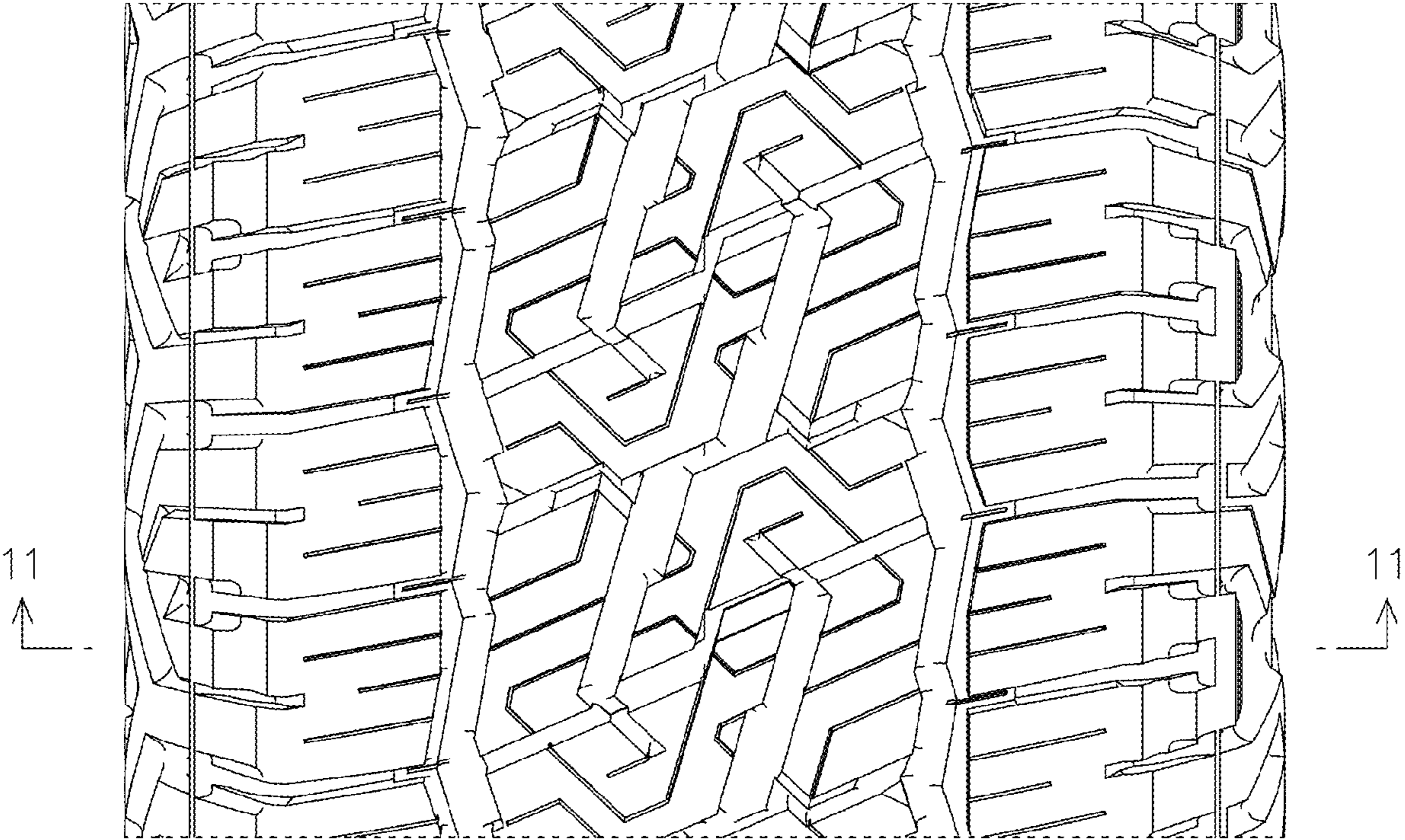


FIG. 10

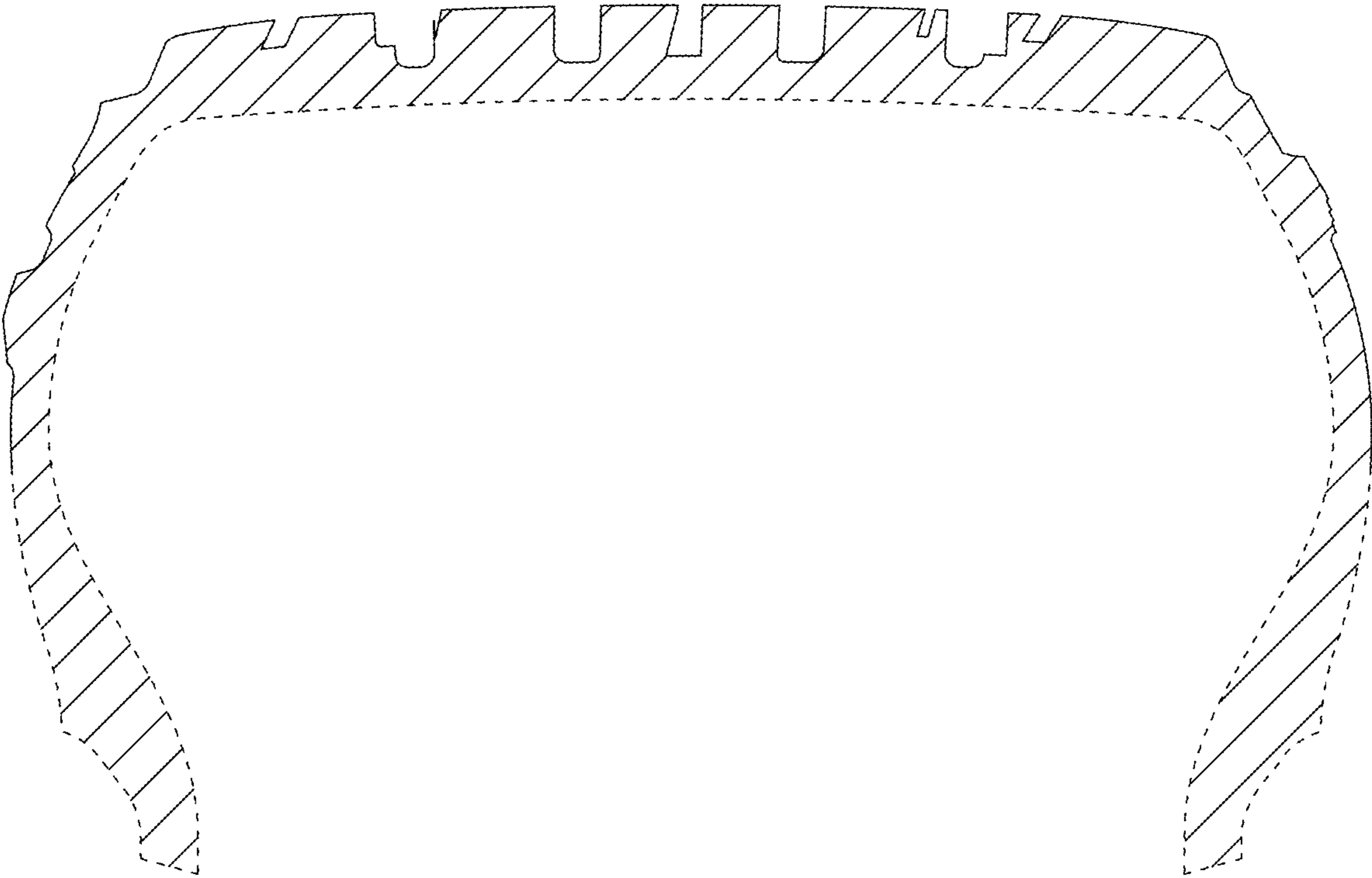


FIG. 11