



US00D977405S

(12) **United States Design Patent**
Tian

(10) **Patent No.:** **US D977,405 S**

(45) **Date of Patent:** **** Feb. 7, 2023**

(54) **CAR CENTER CONSOLE STORAGE BOX**

(71) Applicant: **Shenzhen Zhengtu Auto Accessories Co., Ltd.**, Shenzhen (CN)

(72) Inventor: **Xin Tian**, Shenzhen (CN)

(73) Assignee: **SHENZHEN ZHENG TU AUTO ACCESSORIES CO., LTD.**, Shenzhen (CN)

(**) Term: **15 Years**

(21) Appl. No.: **29/856,844**

(22) Filed: **Oct. 18, 2022**

(51) **LOC (14) Cl.** **12-16**

(52) **U.S. Cl.**
USPC **D12/415**

(58) **Field of Classification Search**
USPC D12/415, 419; D7/620
CPC .. B60R 7/08; B60Q 3/225; B60Q 3/64; B60N 3/10
See application file for complete search history.

(56) **References Cited**

U.S. PATENT DOCUMENTS

D867,970 S	11/2019	Yang et al.	
D929,308 S *	8/2021	Lee	D12/415
D930,555 S *	9/2021	Choi	D12/415
D931,184 S *	9/2021	Hedge	D12/415
D931,186 S *	9/2021	Ye	D12/415
D935,379 S *	11/2021	Choi	D12/415
D935,981 S *	11/2021	Benjamin	D12/415
D936,561 S *	11/2021	Choi	D12/415

D938,894 S	12/2021	Guo	
D941,745 S *	1/2022	Sandys	D12/415
D950,474 S *	5/2022	Matsuo	D12/415
D954,631 S *	6/2022	Park	D12/415
D958,723 S *	7/2022	Choi	D12/415
D966,174 S *	10/2022	Lin	D12/415
D967,747 S *	10/2022	Buffery	D12/415

* cited by examiner

Primary Examiner — Katrina A Betton

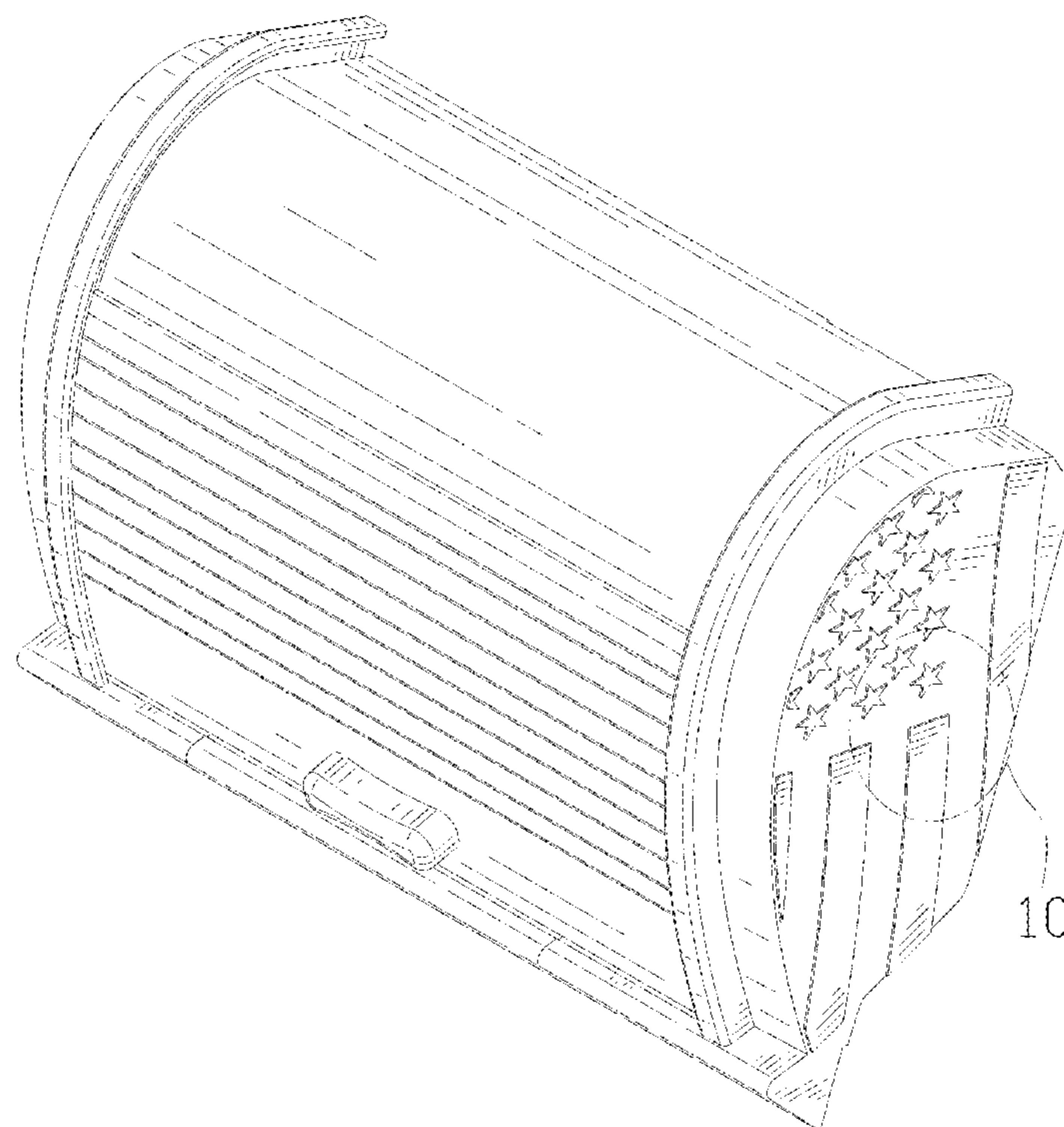
(57) **CLAIM**

The ornamental design for a car center console storage box, as shown and described.

DESCRIPTION

FIG. 1 is a perspective view of a car center console storage box showing my new design;
 FIG. 2 is another perspective view thereof;
 FIG. 3 is a front elevational view thereof;
 FIG. 4 is a rear elevational view thereof;
 FIG. 5 is a left side elevational view thereof;
 FIG. 6 is a right side elevational view thereof;
 FIG. 7 is a top plan view thereof;
 FIG. 8 is a bottom plan view thereof;
 FIG. 9 is a perspective view of the car center console storage box where the car center console storage box is in a configuration of use; and,
 FIG. 10 is an enlarged view of portion 10 shown in FIG. 1. The dash-dash broken lines in the drawings depict portions of the car center console storage box that form no part of the claimed design. The dot-dash broken lines represent boundaries of the enlarged portion and form no part of the claimed design.

1 Claim, 10 Drawing Sheets



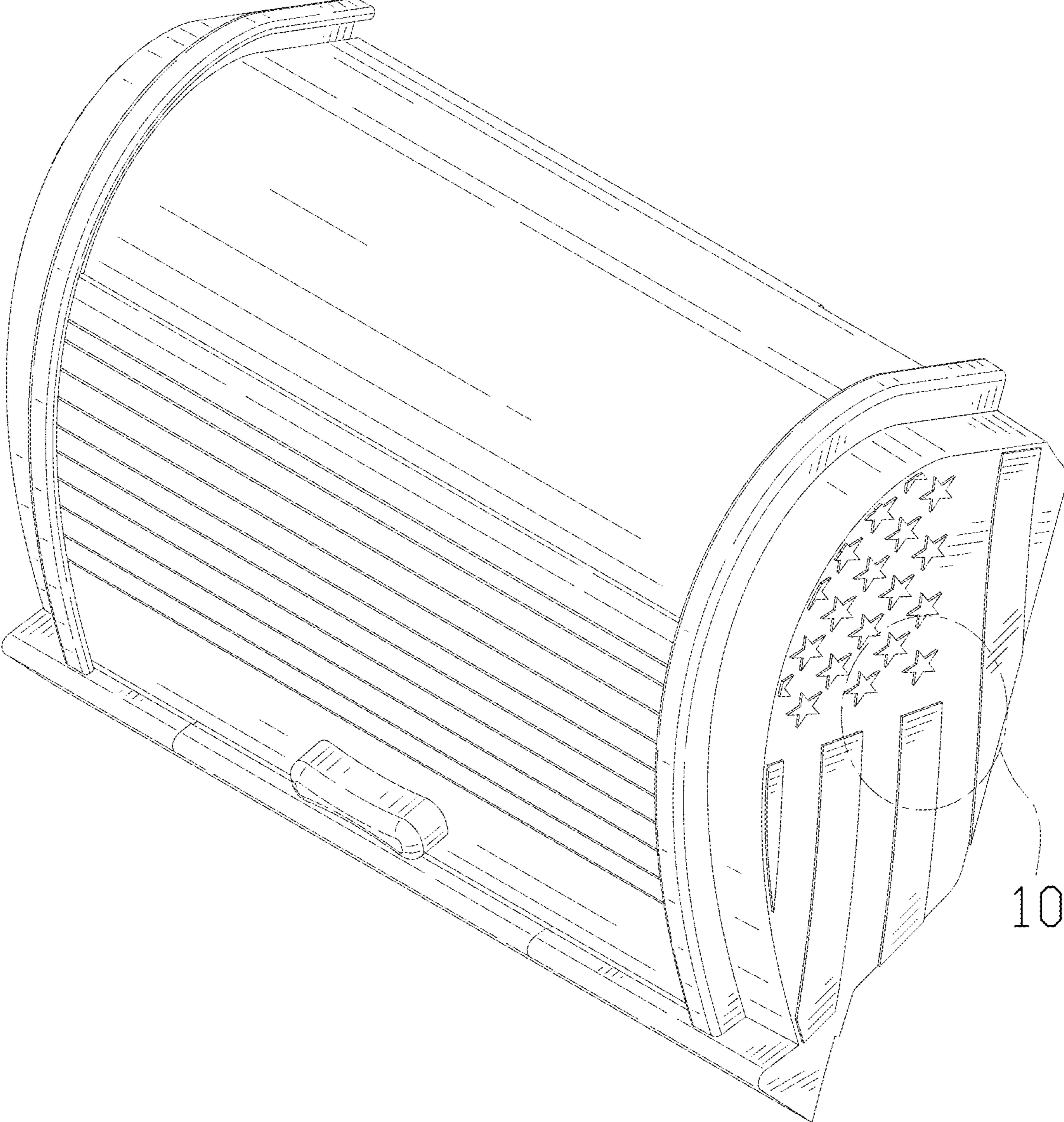


FIG. 1

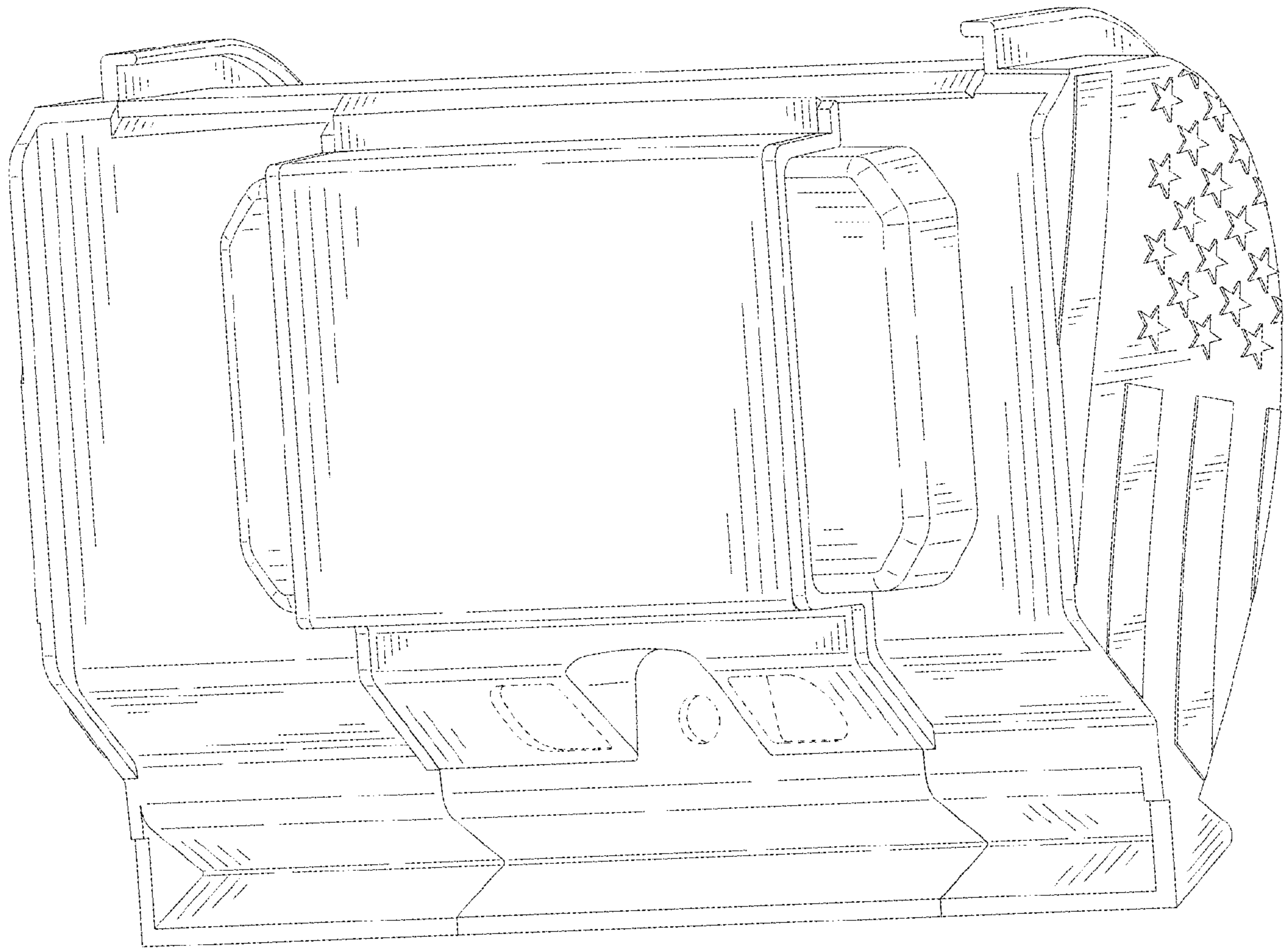


FIG. 2



FIG. 3

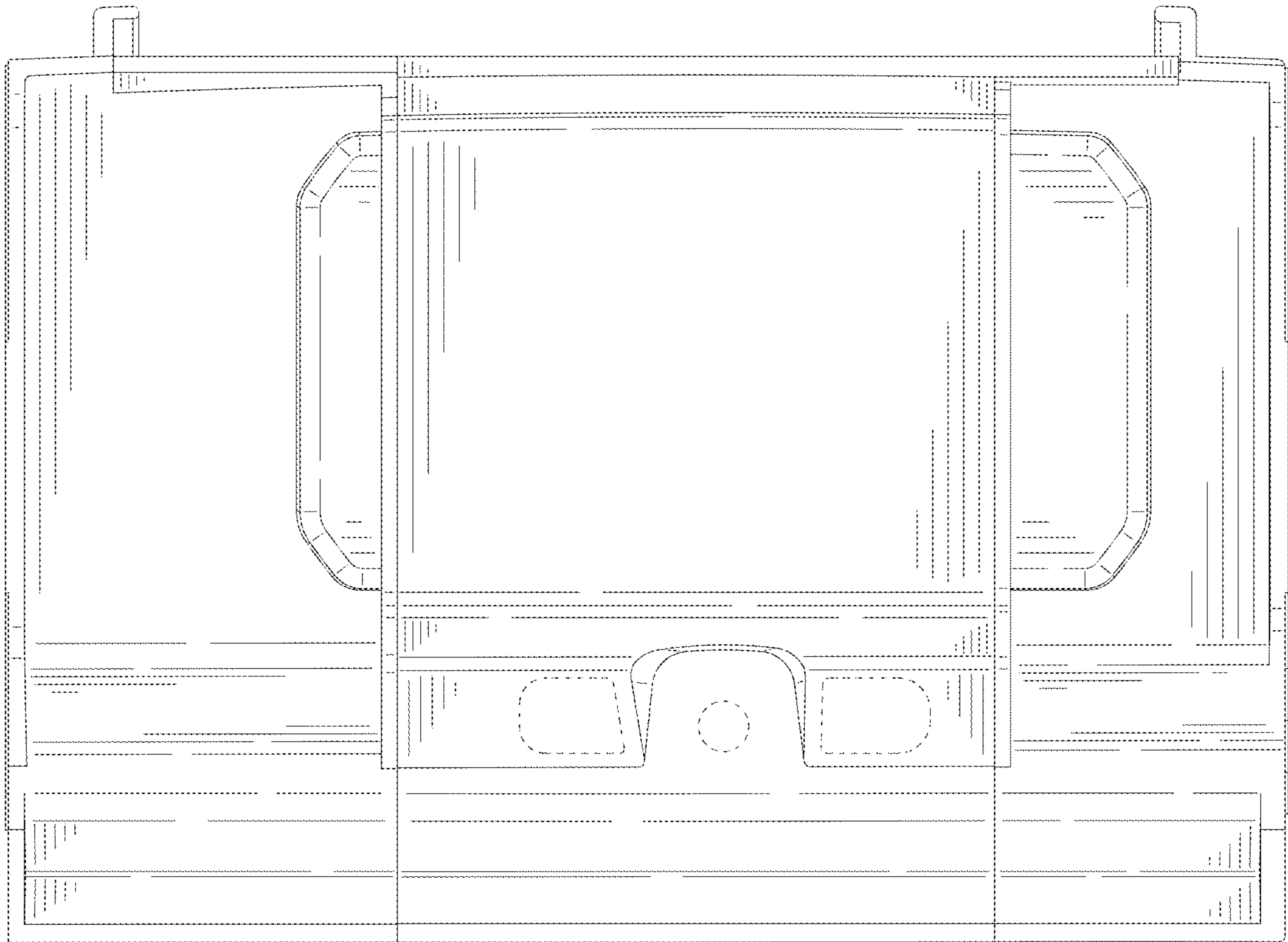


FIG. 4

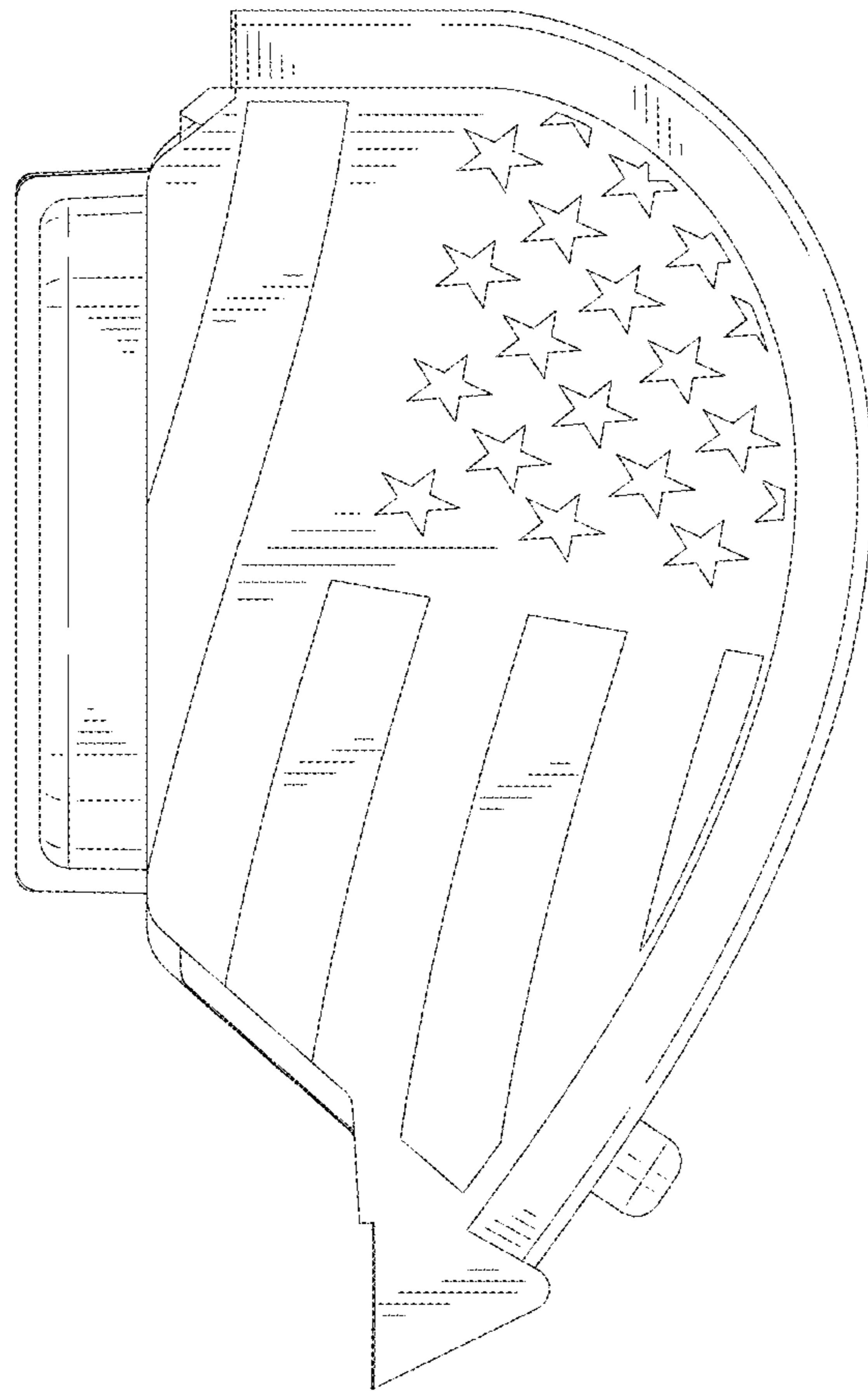


FIG. 5

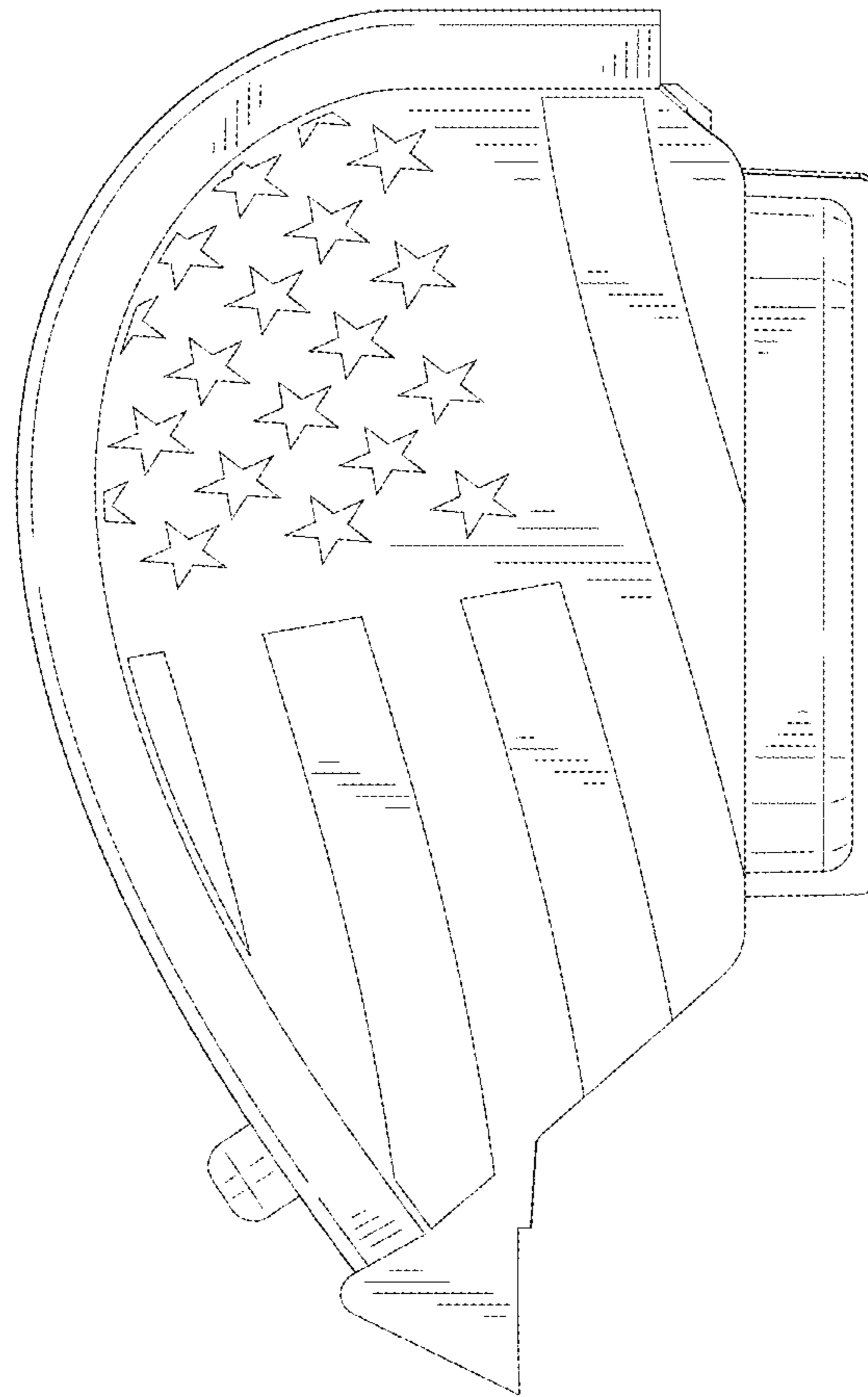


FIG. 6

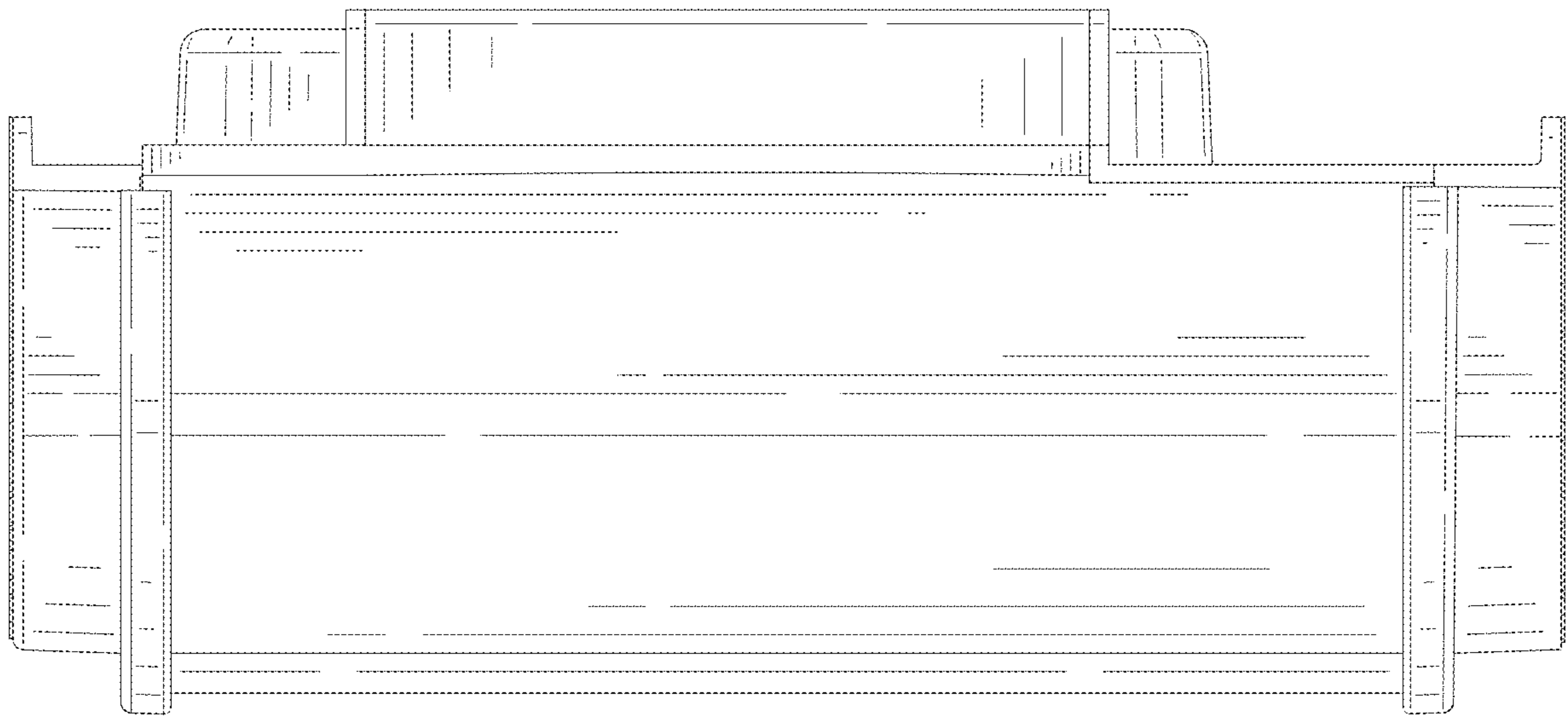


FIG. 7

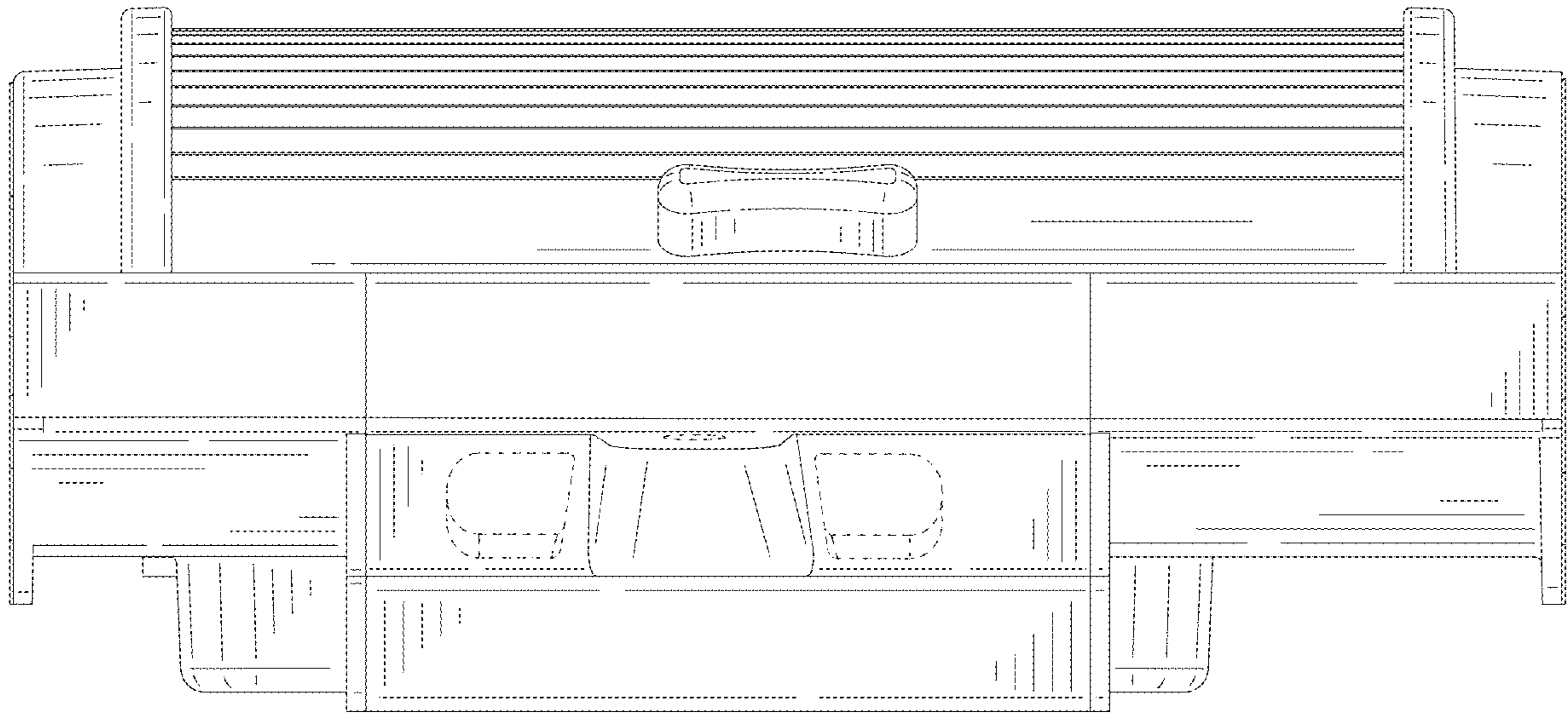


FIG. 8

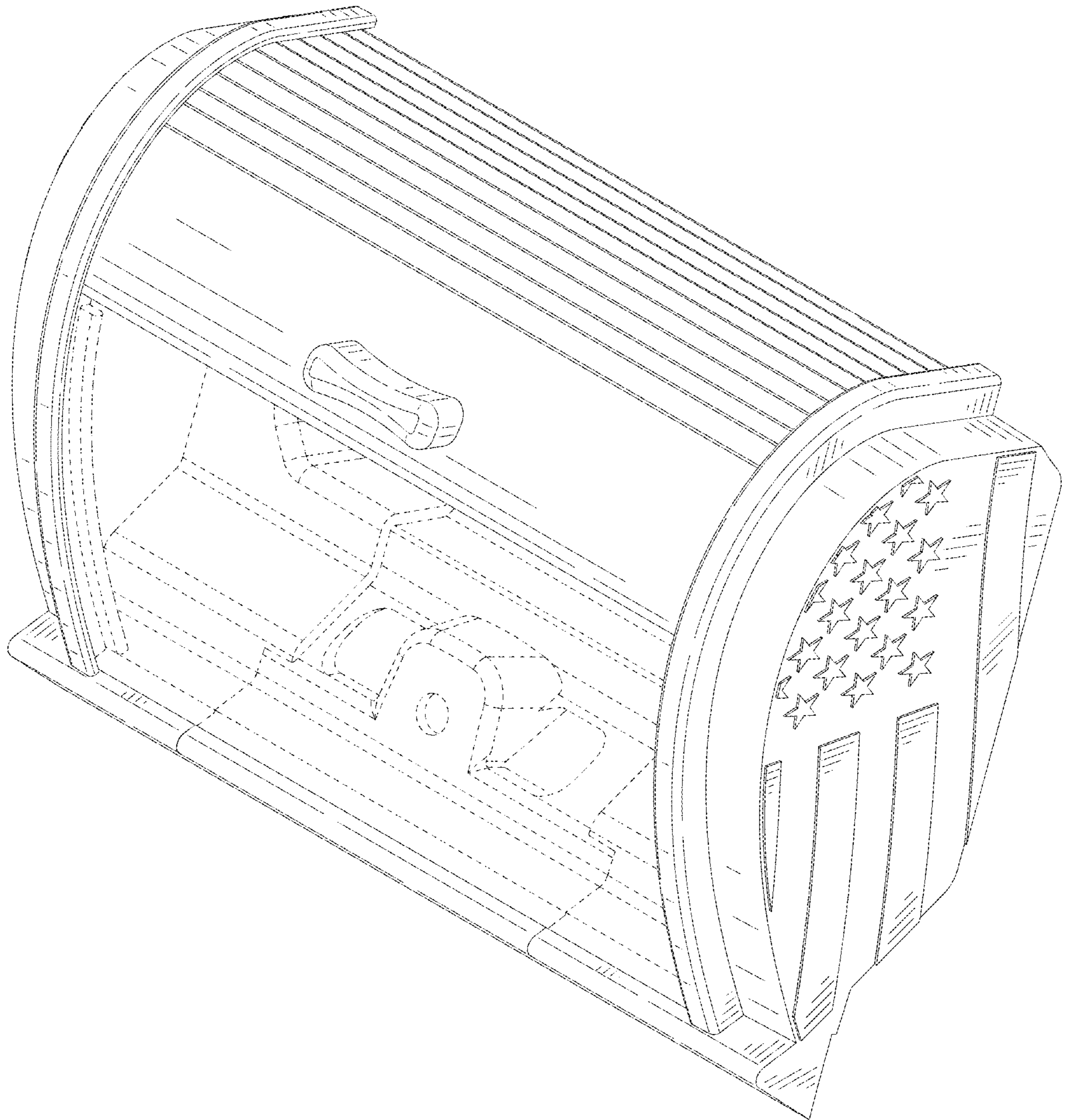


FIG. 9

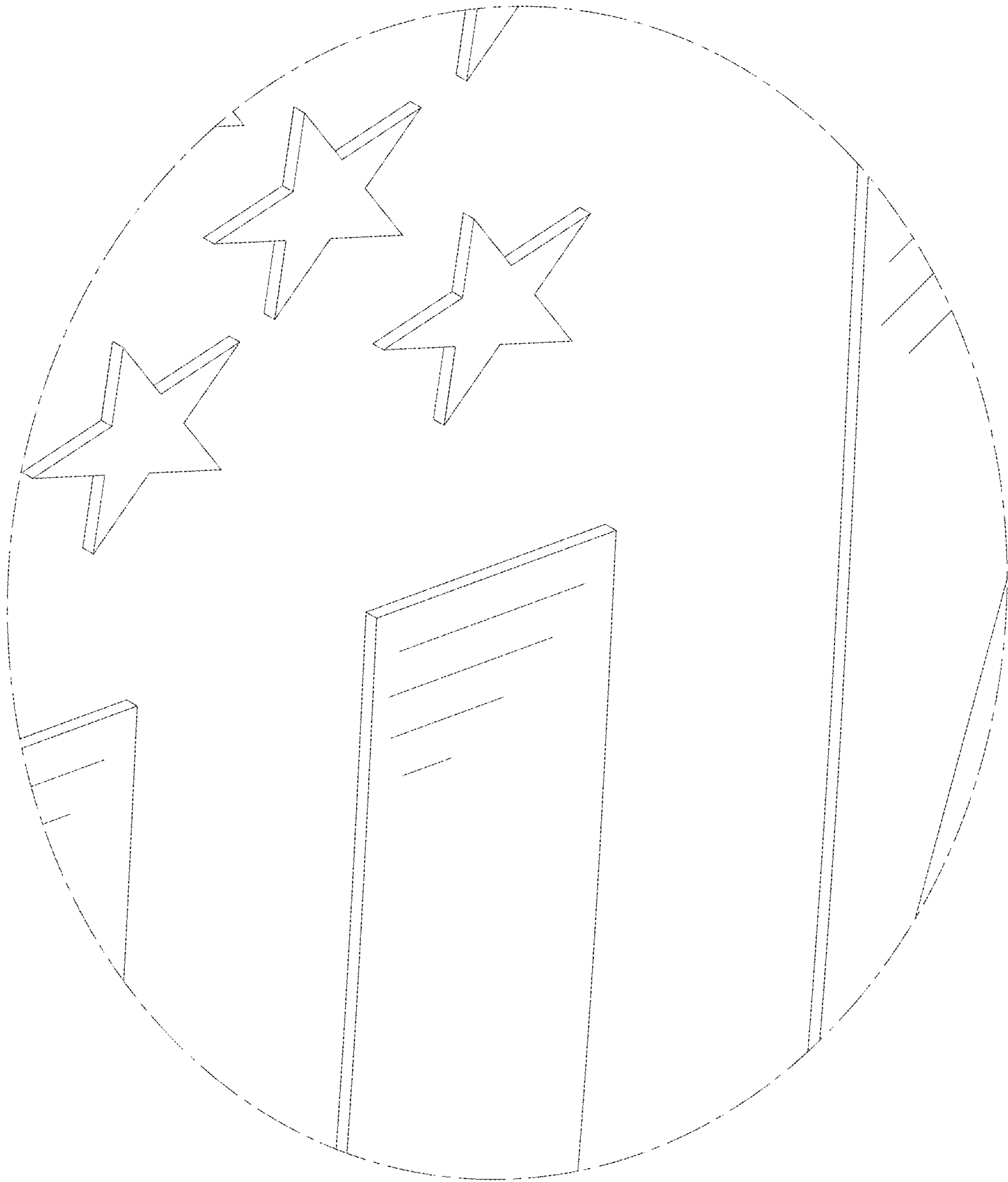


FIG. 10