



US00D977404S

(12) **United States Design Patent** (10) **Patent No.:** **US D977,404 S**  
**Wiseman et al.** (45) **Date of Patent:** **\*\* Feb. 7, 2023**

(54) **BICYCLE TRANSPORT AND STORAGE STABILIZER**

(71) Applicants: **Timothy Carroll Wiseman**, Peculiar, MO (US); **Matthew Thomas Heirigs**, Lake Waukomis, MO (US)

(72) Inventors: **Timothy Carroll Wiseman**, Peculiar, MO (US); **Matthew Thomas Heirigs**, Lake Waukomis, MO (US)

(\*\*) Term: **15 Years**

(21) Appl. No.: **29/805,756**

(22) Filed: **Aug. 30, 2021**

(51) **LOC (14) Cl.** ..... **12-15**

(52) **U.S. Cl.**  
USPC ..... **D12/407**

(58) **Field of Classification Search**  
USPC ..... D12/406-408, 402, 400, 115; D8/323, D8/330, 331, 334, 339, 499; D24/192; D28/56, 57, 61  
CPC ... B62H 3/00; B62H 3/04; B62H 3/08; B62H 3/10; B60R 9/06; B60R 9/10  
See application file for complete search history.

(56) **References Cited**

**U.S. PATENT DOCUMENTS**

2,546,118	A *	3/1951	Adele	.....	A45D 29/22 132/73
D245,596	S *	8/1977	Cohen	.....	D12/115
4,306,660	A *	12/1981	Livingston	.....	B62H 3/04 211/20
D278,616	S *	4/1985	Collison	.....	D12/115
D328,882	S *	8/1992	Martinell	.....	D12/115
D335,299	S *	5/1993	Guidry	.....	D28/59
D337,083	S *	7/1993	Rankin	.....	D12/115
D367,601	S *	3/1996	Brendel	.....	D8/333
6,257,419	B1 *	7/2001	Kamysiak	.....	B62H 3/00 211/22

(Continued)

**OTHER PUBLICATIONS**

EVO Bike Fork Mount with Alloy Quick Release; Sep. 21, 2020; <https://www.amazon.com/EVO-Mount-Alloy-Quick-Release/dp/B083QNCH7R>; 12Pgs. (Year: 2020).\*

*Primary Examiner* — Michelle E. Wilson

*Assistant Examiner* — Clese Moore, Jr.

(74) *Attorney, Agent, or Firm* — Hovey Williams LLP

(57) **CLAIM**

The ornamental design for a bicycle transport and storage stabilizer, as shown and described.

**DESCRIPTION**

FIG. 1 is a front perspective view of a of a bicycle transport and storage stabilizer, in accordance with the present invention;

FIG. 2 is a longitudinal side elevational view of the bicycle transport and storage stabilizer shown in FIG. 1;

FIG. 3 is a top plan view of the bicycle transport and storage stabilizer shown in FIG. 1;

FIG. 4 is bottom plan view of the bicycle transport and storage stabilizer shown in FIG. 1;

FIG. 5 is a left side elevational view of the bicycle transport and storage stabilizer shown in FIG. 1;

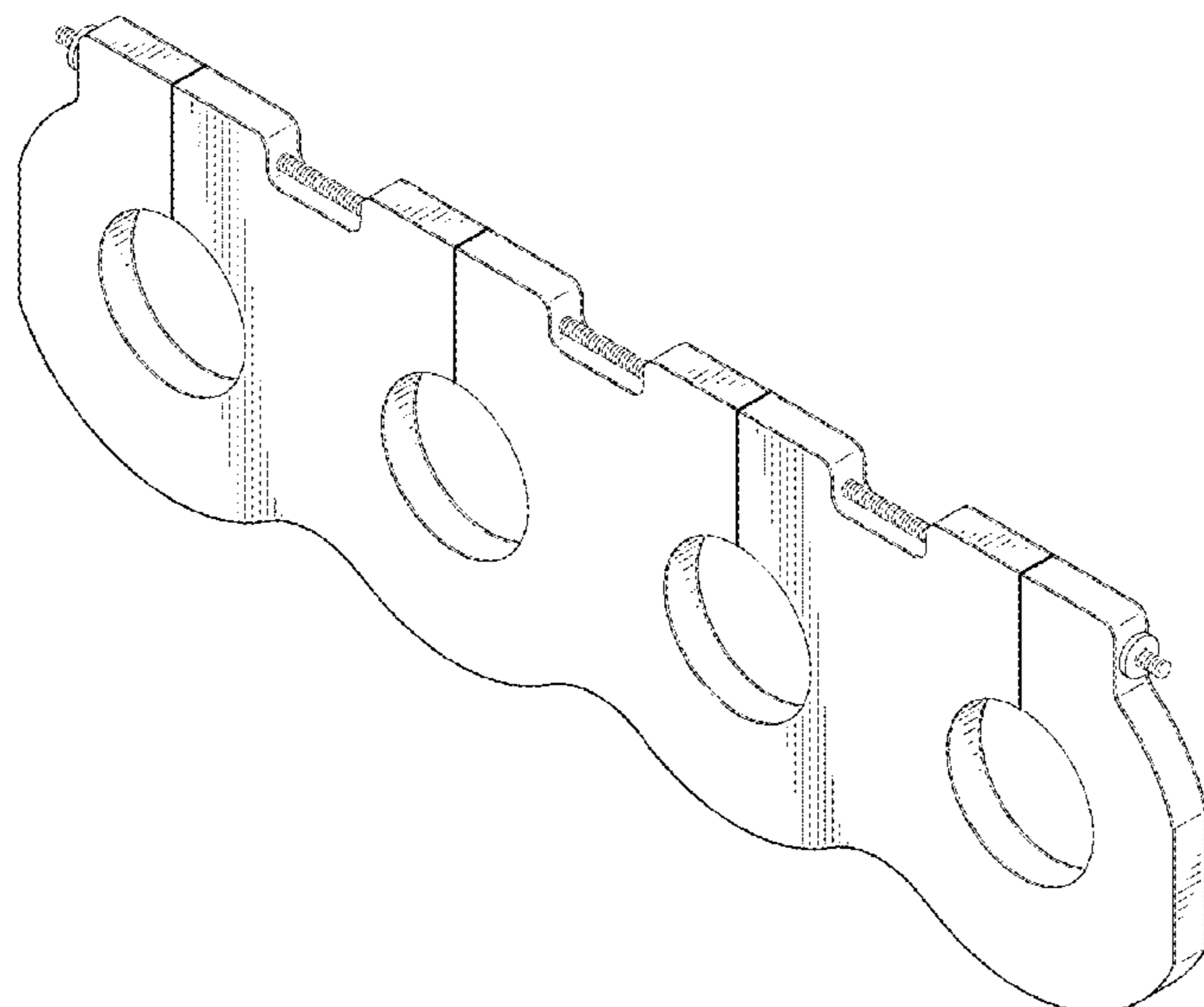
FIG. 6 is a right side elevational view of the bicycle transport and storage stabilizer shown in FIG. 1;

FIG. 7 is a perspective view of the bicycle transport and storage stabilizer shown in FIGS. 1-6, operably attached to a bicycle tire and a bicycle hitch rack, the bicycle and the bicycle hitch rack being shown in broken lines; and,

FIG. 8 is a perspective view of the bicycle transport and storage stabilizer shown in FIGS. 1-6, operably attached to two bicycle tires, the two bicycle tires being shown in broken lines.

The broken line showing of parts of the drawings is included for the purpose of illustrating use and environment and forms no part of the claimed design.

**1 Claim, 5 Drawing Sheets**



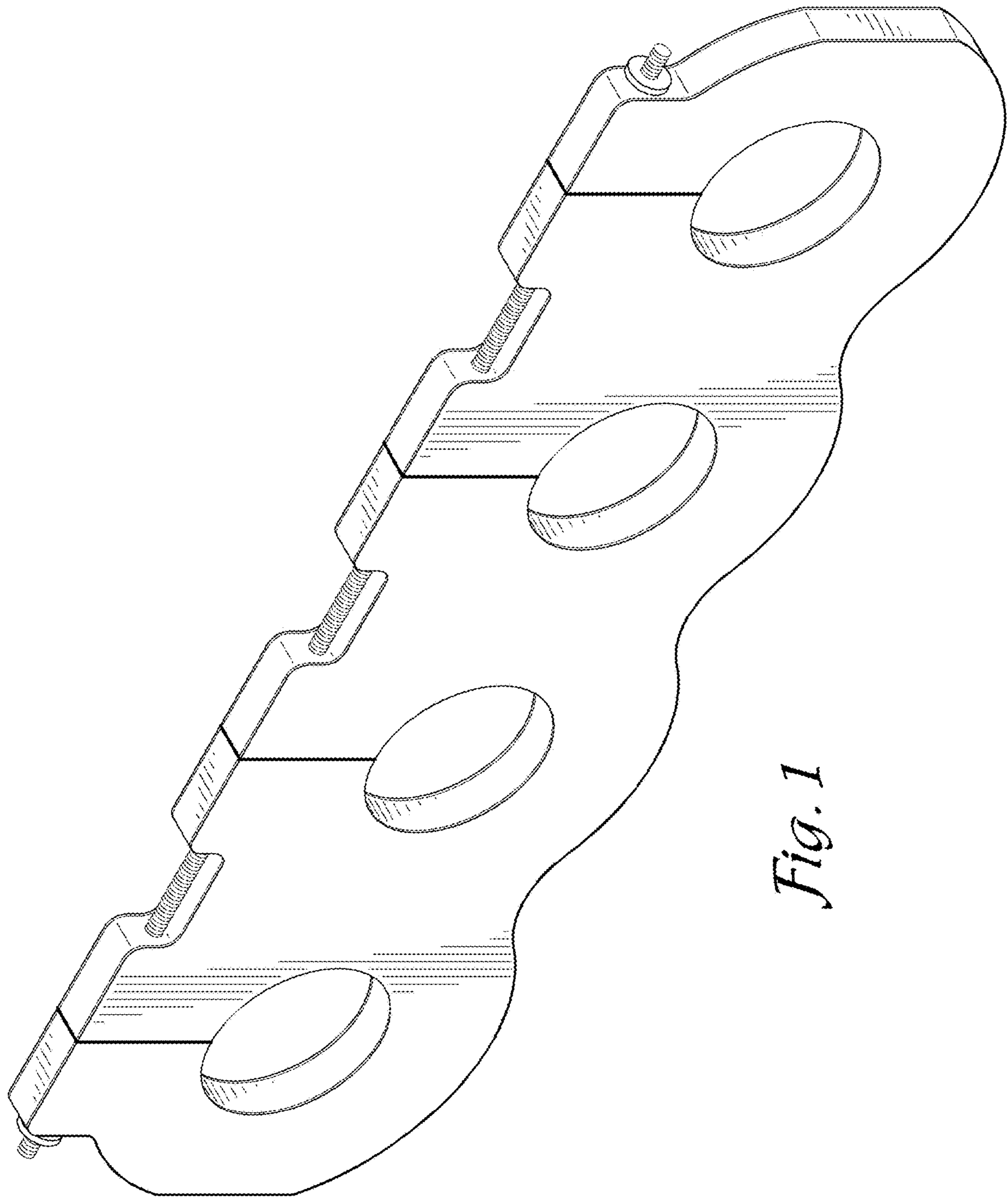
(56)

References Cited

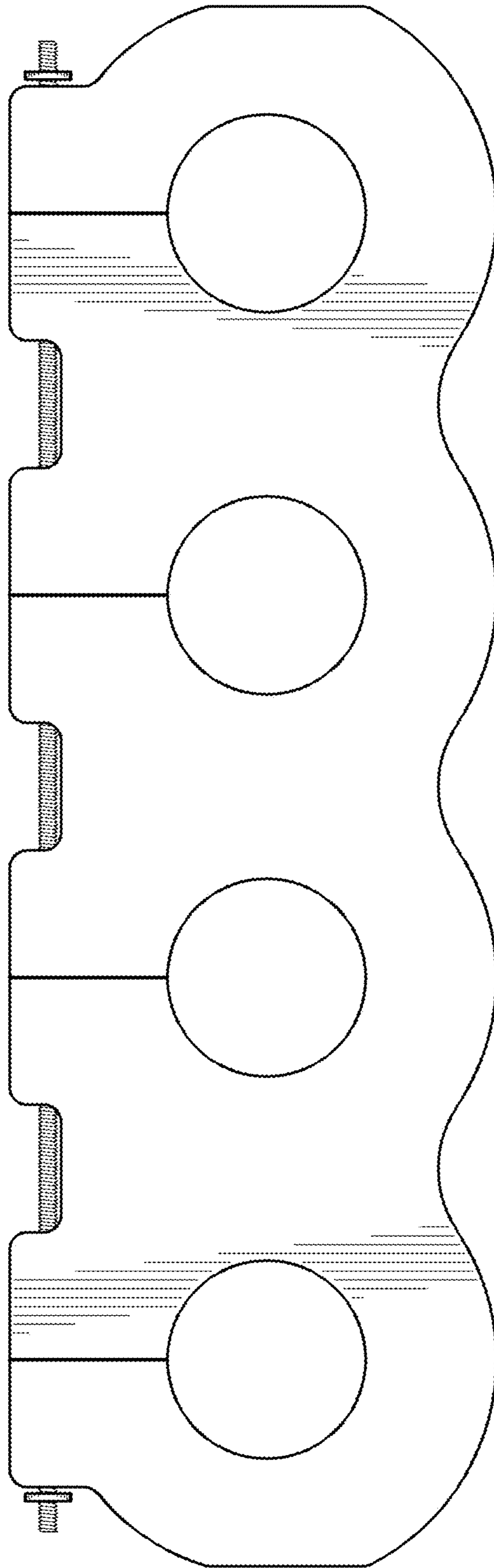
U.S. PATENT DOCUMENTS

D449,256 S	10/2001	Kopacz		D719,492 S *	12/2014	Rayl	D12/115
D449,567 S *	10/2001	Denney	D12/115	D774,423 S *	12/2016	Greenblatt	D12/115
D477,255 S *	7/2003	Saez	D12/115	D775,510 S *	1/2017	Lee	D8/333
D488,106 S	4/2004	Birkmann		D778,788 S *	2/2017	Tsai	D12/115
D497,873 S *	11/2004	Graber	B62H 3/00	D780,641 S *	3/2017	Sagen	D12/115
			D12/407	9,592,868 B2 *	3/2017	Greenblatt	B62H 3/06
D514,034 S *	1/2006	Richardson	D12/115	D841,523 S	2/2019	Ford	
D556,381 S *	11/2007	Kennedy	D28/57	D852,114 S	6/2019	Anderson	
D602,403 S *	10/2009	Shaha	D12/115	D856,856 S	8/2019	Fournier	
D604,206 S *	11/2009	Selzer	D12/115	10,384,734 B2	8/2019	Laight	
D604,207 S	11/2009	Selzer		10,501,023 B1	12/2019	Mayers	
D613,597 S *	4/2010	Wu	D8/499	D884,096 S	5/2020	Dunahay	
D632,616 S	2/2011	Lohr		D897,907 S *	10/2020	Wu	D12/124
D665,709 S *	8/2012	Longfellow	D12/115	D902,007 S *	11/2020	Dobbins	D8/333
D669,398 S *	10/2012	Parkins	D12/115	D924,107 S	7/2021	Greenblatt	
D670,209 S *	11/2012	Graham	D12/115	2007/0138111 A1 *	6/2007	Schairer	B62H 3/10 211/20
D694,674 S *	12/2013	Higgins	D12/115	2015/0158537 A1	6/2015	Haitbrink	
D707,362 S *	6/2014	Cohen	D24/200	2015/0232041 A1 *	8/2015	Wolfe	B60P 3/077 224/403
D719,491 S *	12/2014	Rayl	D12/115	2020/0406830 A1 *	12/2020	Owen	B62H 3/12
				2021/0061384 A1 *	3/2021	Rah	B62H 3/12

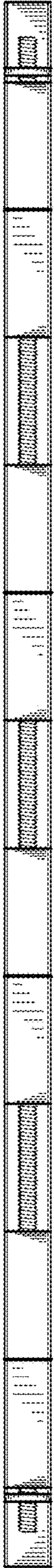
\* cited by examiner



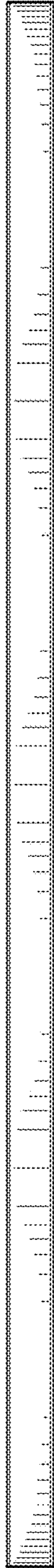
*Fig. 1*



*Fig. 2*



*Fig. 3*



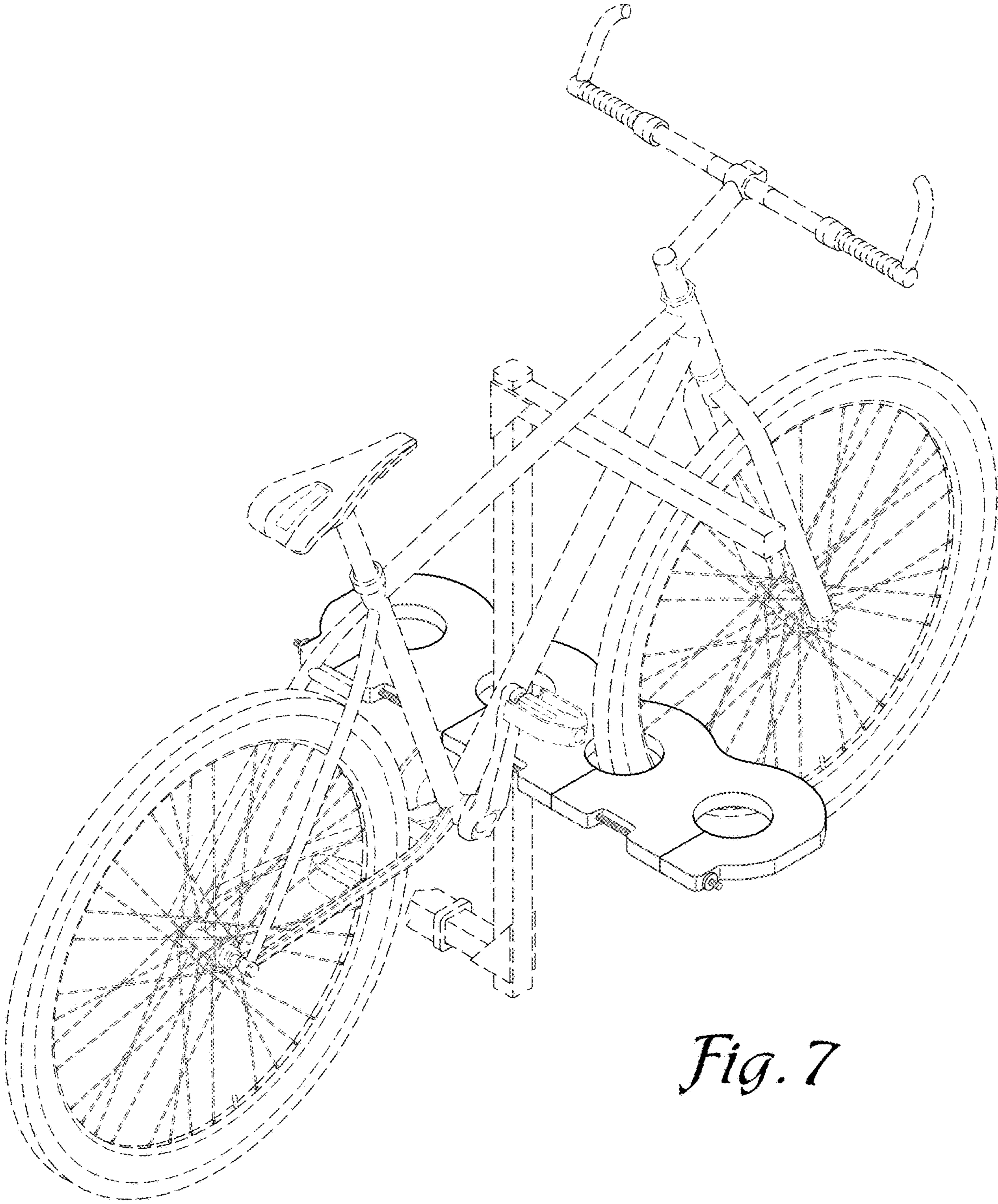
*Fig. 4*



*Fig. 6*



*Fig. 5*



*Fig. 7*

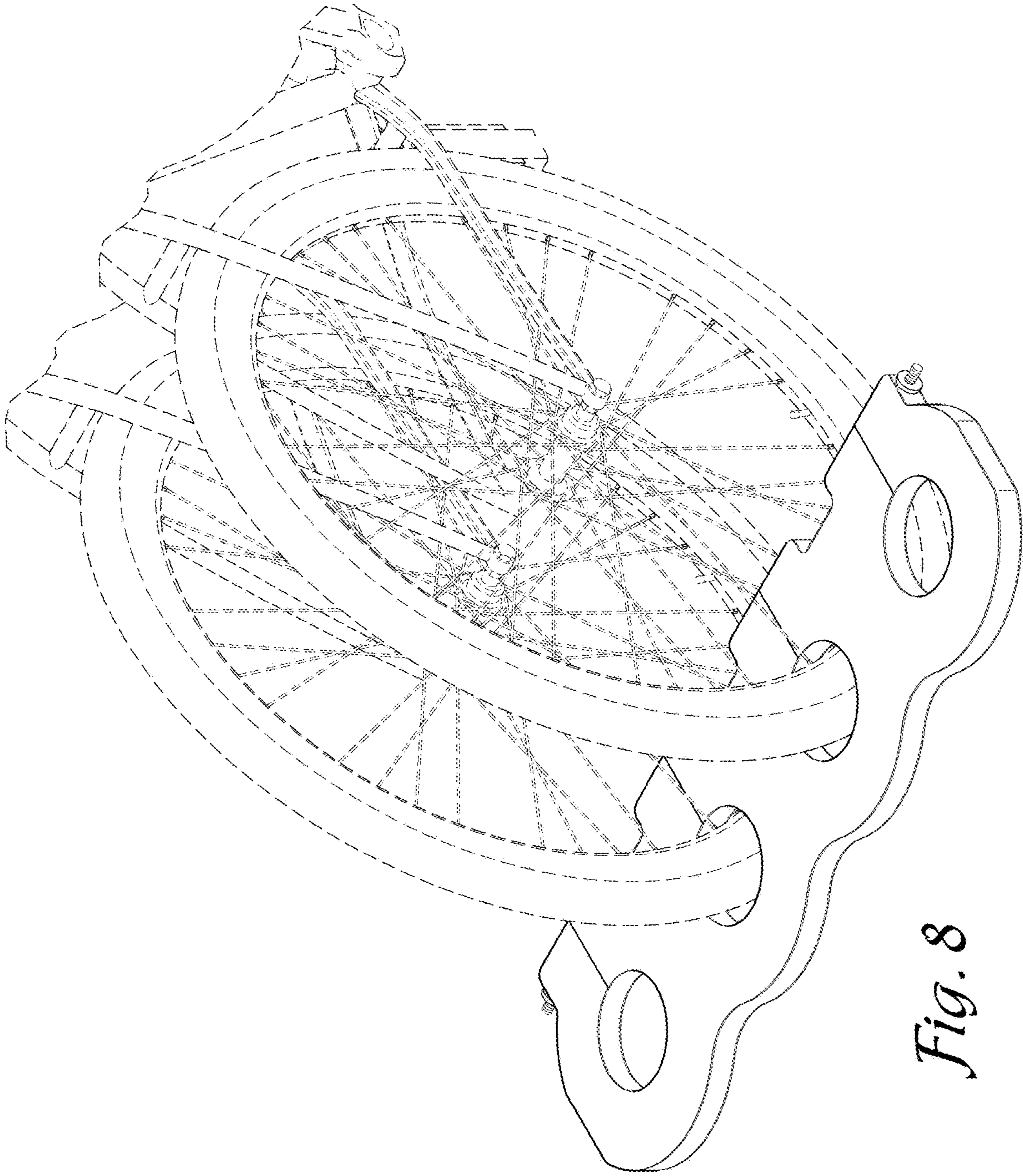


Fig. 8