



US00D977403S

(12) **United States Design Patent** (10) **Patent No.:** **US D977,403 S**  
**Jämsén et al.** (45) **Date of Patent:** **\*\* Feb. 7, 2023**

(54) **BOAT**  
(71) Applicant: **Axopar Holdings Oy**, Helsinki (FI)  
(72) Inventors: **Jarkko Jämsén**, Helsinki (FI); **Janne Leppänen**, Helsinki (FI)  
(73) Assignee: **Axopar Holdings Oy**, Helsinki (FI)  
(\*\*) Term: **15 Years**

D818,417 S 5/2018 Mattila  
D818,418 S 5/2018 Mattila  
D818,419 S 5/2018 Mattila  
D826,832 S 8/2018 Mattila  
D826,833 S 8/2018 Mattila  
D826,834 S 8/2018 Mattila  
D826,835 S 8/2018 Mattila  
D826,836 S 8/2018 Mattila  
D826,837 S 8/2018 Mattila  
D828,275 S 9/2018 Mattila

(Continued)

(21) Appl. No.: **29/758,890**

FOREIGN PATENT DOCUMENTS

(22) Filed: **Nov. 19, 2020**

EM 001445548-0001 3/2018  
EM 001445548-0002 3/2018

(Continued)

(30) **Foreign Application Priority Data**

May 19, 2020 (EM) ..... 007957865

(51) **LOC (14) Cl.** ..... **12-06**

(52) **U.S. Cl.**  
USPC ..... **D12/300**

(58) **Field of Classification Search**  
USPC ..... D12/300, 303, 304, 310, 313-318  
CPC ..... B63B 17/00; B63B 17/02; B63B 35/81;  
B63B 35/816; B62B 21/04  
See application file for complete search history.

OTHER PUBLICATIONS

Axopar Boats Brochure: pp. 1-20, published Sep. 24, 2014, Axopar Boats 2014.

(Continued)

*Primary Examiner* — Cynthia M. Chin  
(74) *Attorney, Agent, or Firm* — Banner & Witcoff, Ltd.

(56) **References Cited**

(57) **CLAIM**

The ornamental design for a boat, as shown and described.

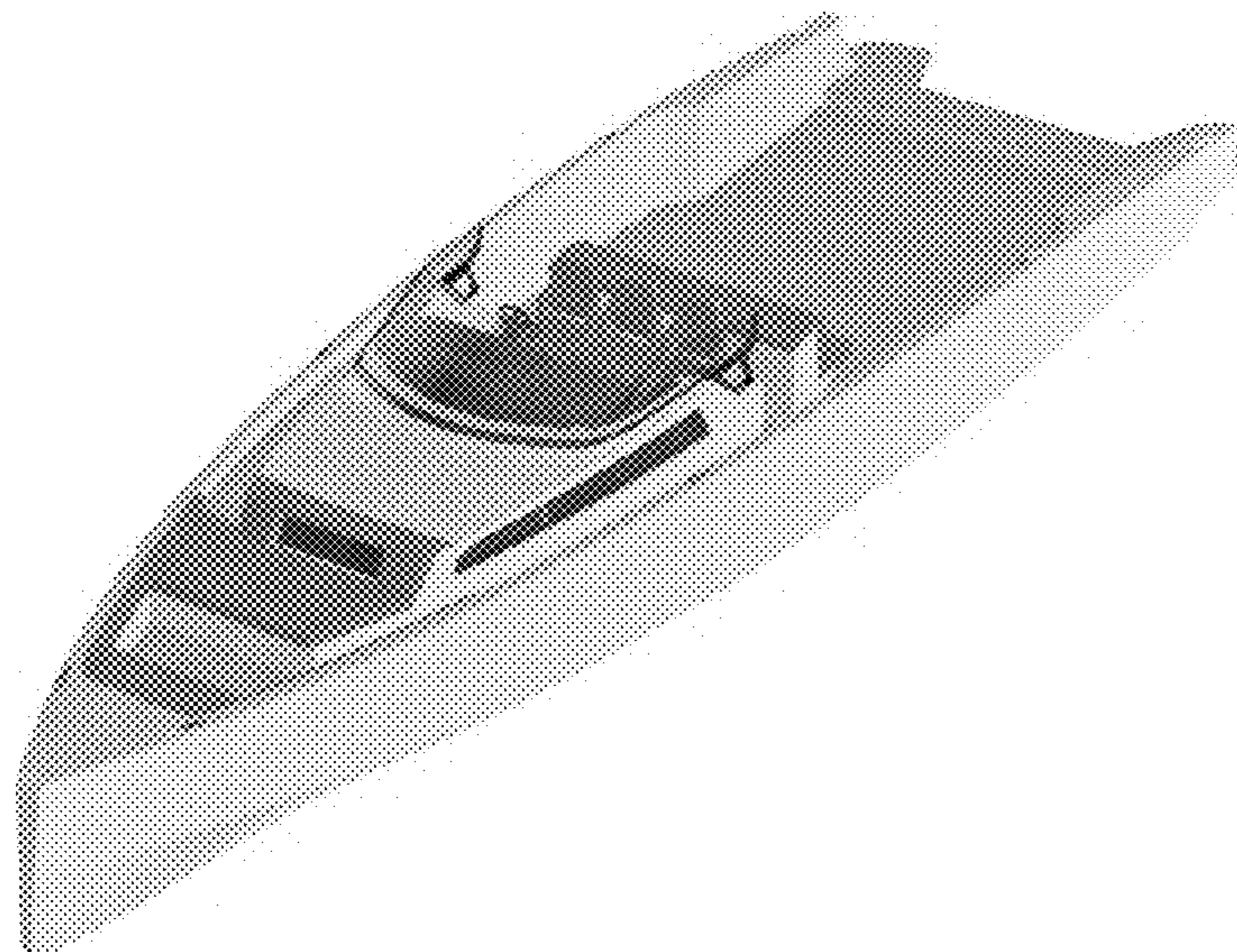
U.S. PATENT DOCUMENTS

D315,137 S 3/1991 Runte  
D315,892 S 4/1991 Tollefson et al.  
D329,038 S 9/1992 Dekker et al.  
D429,682 S 8/2000 Garland et al.  
6,474,253 B1 11/2002 Molz  
D488,841 S 4/2004 Yuen  
D506,430 S 6/2005 de Rover  
D524,714 S 7/2006 Barbeito  
D553,071 S 10/2007 de Rover  
D587,641 S 3/2009 Bouckaert  
D763,776 S 8/2016 Braver et al.  
D764,376 S 8/2016 Braver et al.  
D817,848 S 5/2018 Mattila  
D818,416 S 5/2018 Mattila

DESCRIPTION

FIG. 1 is a perspective front view of a boat showing our new design;  
FIG. 2 is a perspective rear view thereof;  
FIG. 3 is a left side view thereof;  
FIG. 4 is a front view thereof;  
FIG. 5 is a rear view thereof;  
FIG. 6 is a top plan view thereof;  
FIG. 7 is a bottom view thereof; and,  
FIG. 8 is a right side view thereof.

**1 Claim, 8 Drawing Sheets**



(56)

**References Cited**

U.S. PATENT DOCUMENTS

D828,276 S 9/2018 Mattila  
 D828,277 S 9/2018 Mattila  
 D828,278 S 9/2018 Mattila  
 D840,909 S 2/2019 Mattila  
 D840,910 S 2/2019 Mattila  
 D848,347 S 5/2019 Mattila  
 D904,278 S 12/2020 Jamsen et al.  
 D933,578 S 10/2021 Jamsen et al.

EM 001445548-0012 3/2018  
 EM 001445548-0013 3/2018  
 EM 001445548-0014 3/2018  
 EM 001445548-0015 3/2018  
 EM 001445548-0016 3/2018  
 EM 001445548-0017 3/2018  
 EM 001445548-0018 3/2018  
 EM 001445548-0019 3/2018  
 EM 001445548-0020 3/2018  
 EM 001445548-0021 3/2018  
 EM 001445548-0022 3/2018

FOREIGN PATENT DOCUMENTS

EM 001445548-0003 3/2018  
 EM 001445548-0004 3/2018  
 EM 001445548-0005 3/2018  
 EM 001445548-0006 3/2018  
 EM 001445548-0007 3/2018  
 EM 001445548-0008 3/2018  
 EM 001445548-0009 3/2018  
 EM 001445548-0010 3/2018  
 EM 001445548-0011 3/2018

OTHER PUBLICATIONS

Elias Johansson, Axopar 28—prisad och prispressad designdröm [online], [retrieved Mar. 29, 2016], Retrieved from Internet <URL: <http://www.hamnen.se/artiklar/motorbatar/axopar-28-prispressad-designdroem.html>>, published Feb. 24, 2014; 5 color sheets.  
 Photograph of product, publication date unknown but prior to the filing date of the present application.  
 Photograph of product, pub date unknown, but prior to the filing date of the present app.



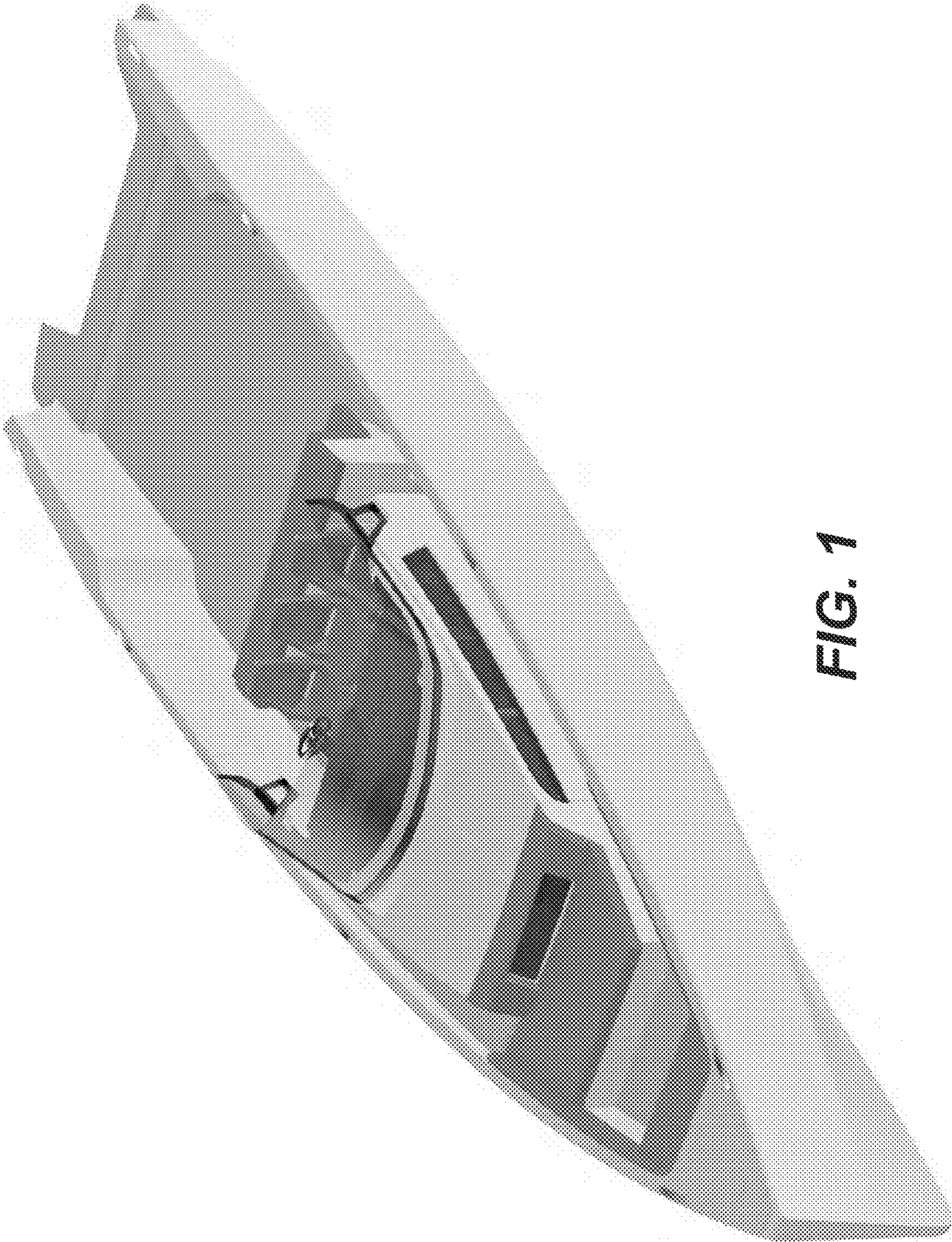


FIG. 1



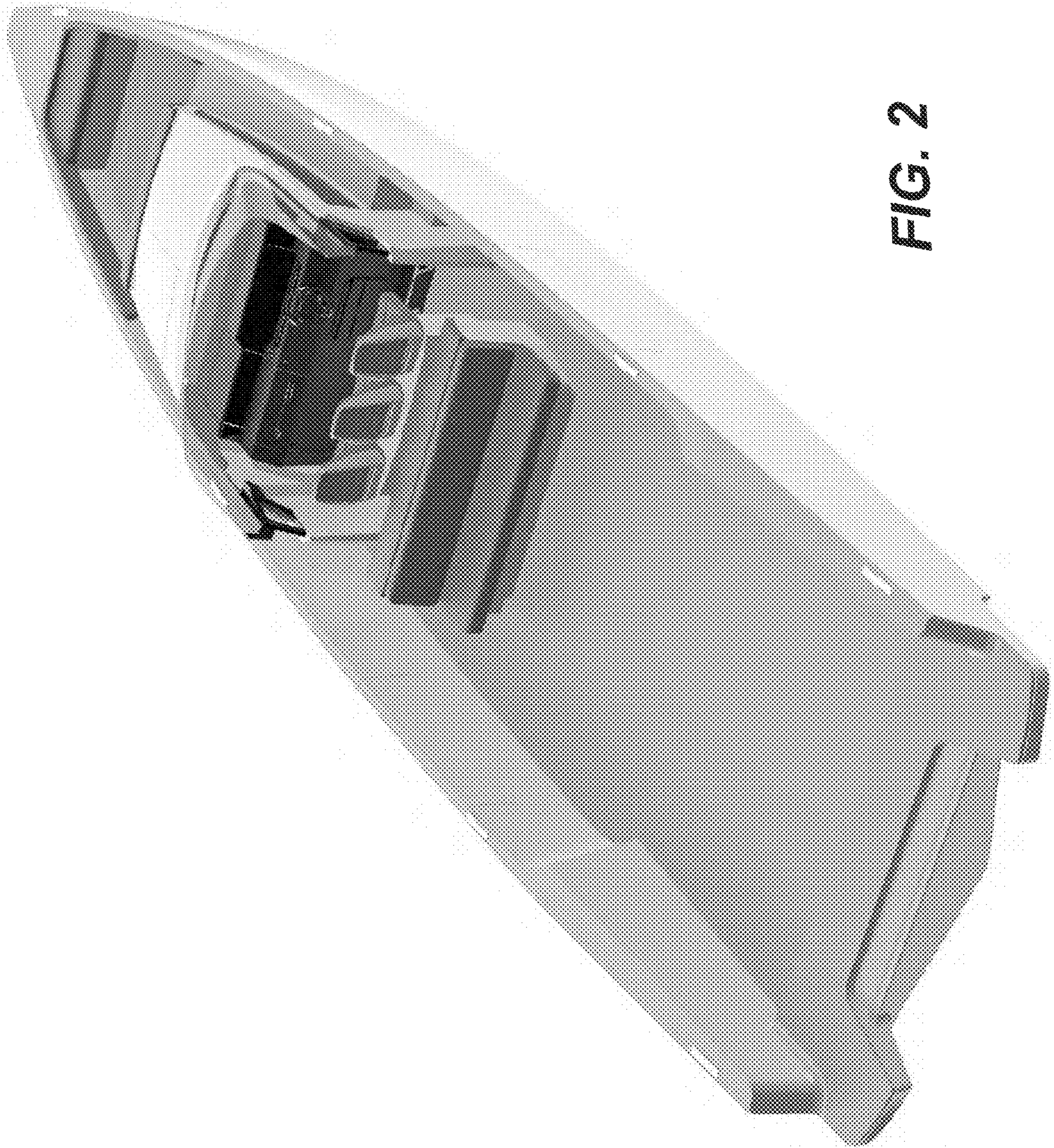
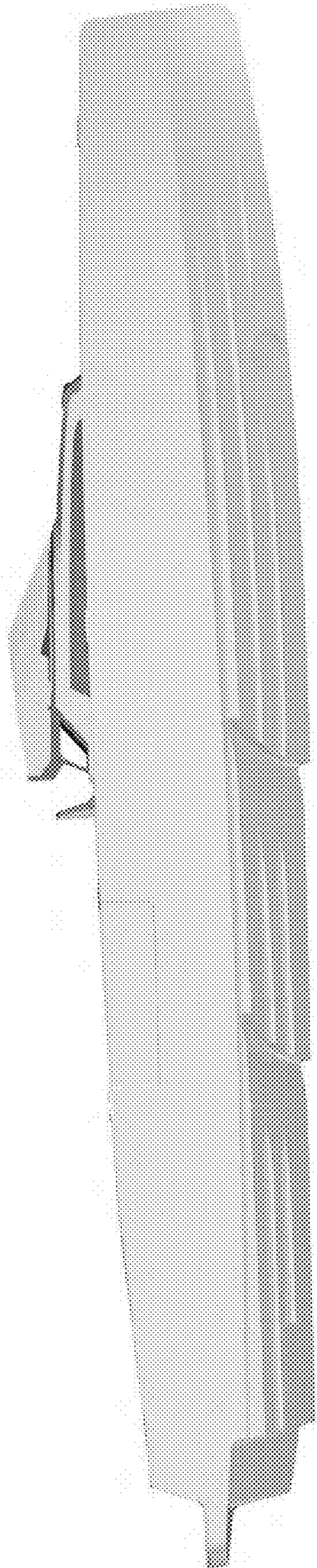
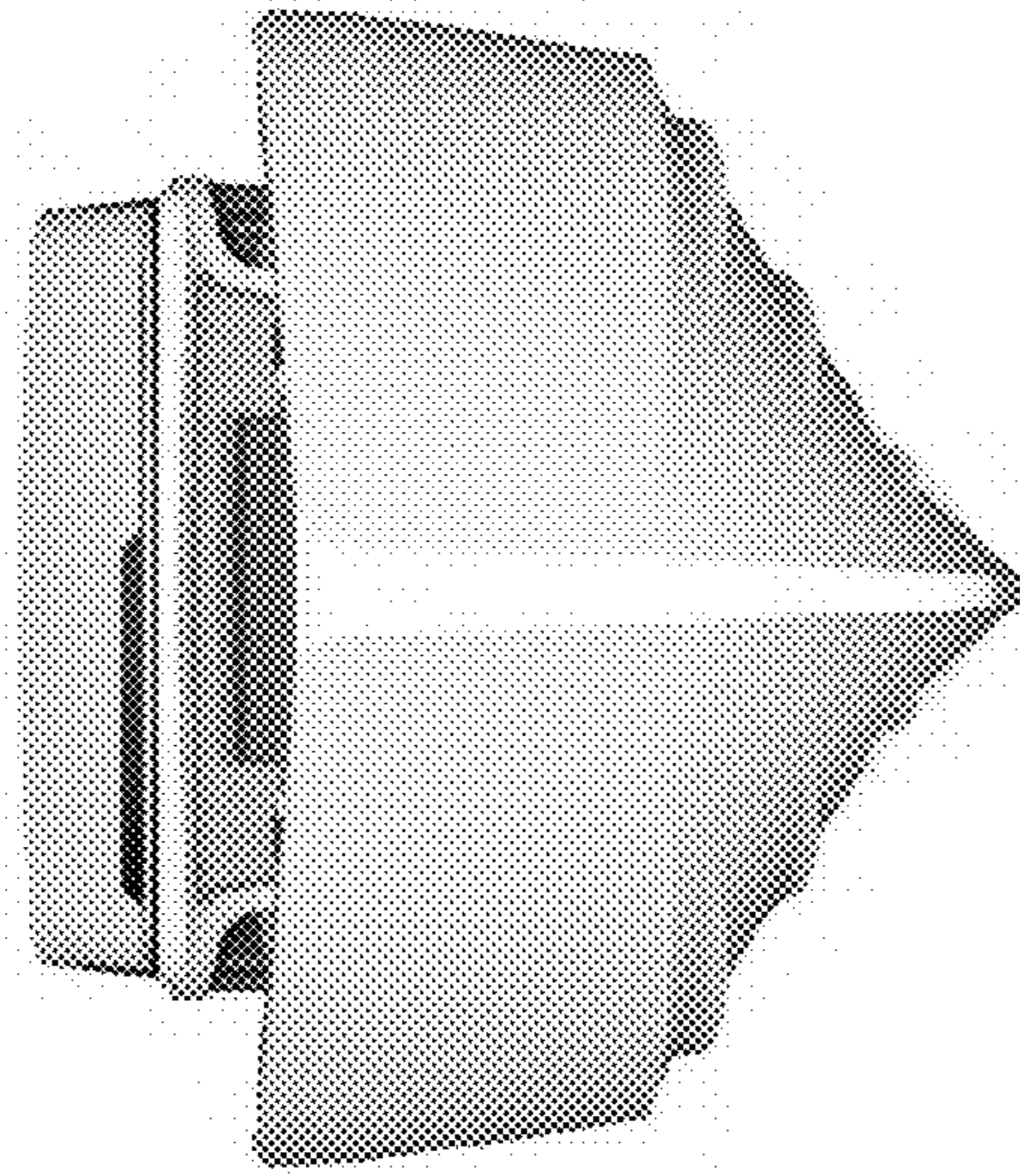


FIG. 2





**FIG. 3**



**FIG. 4**

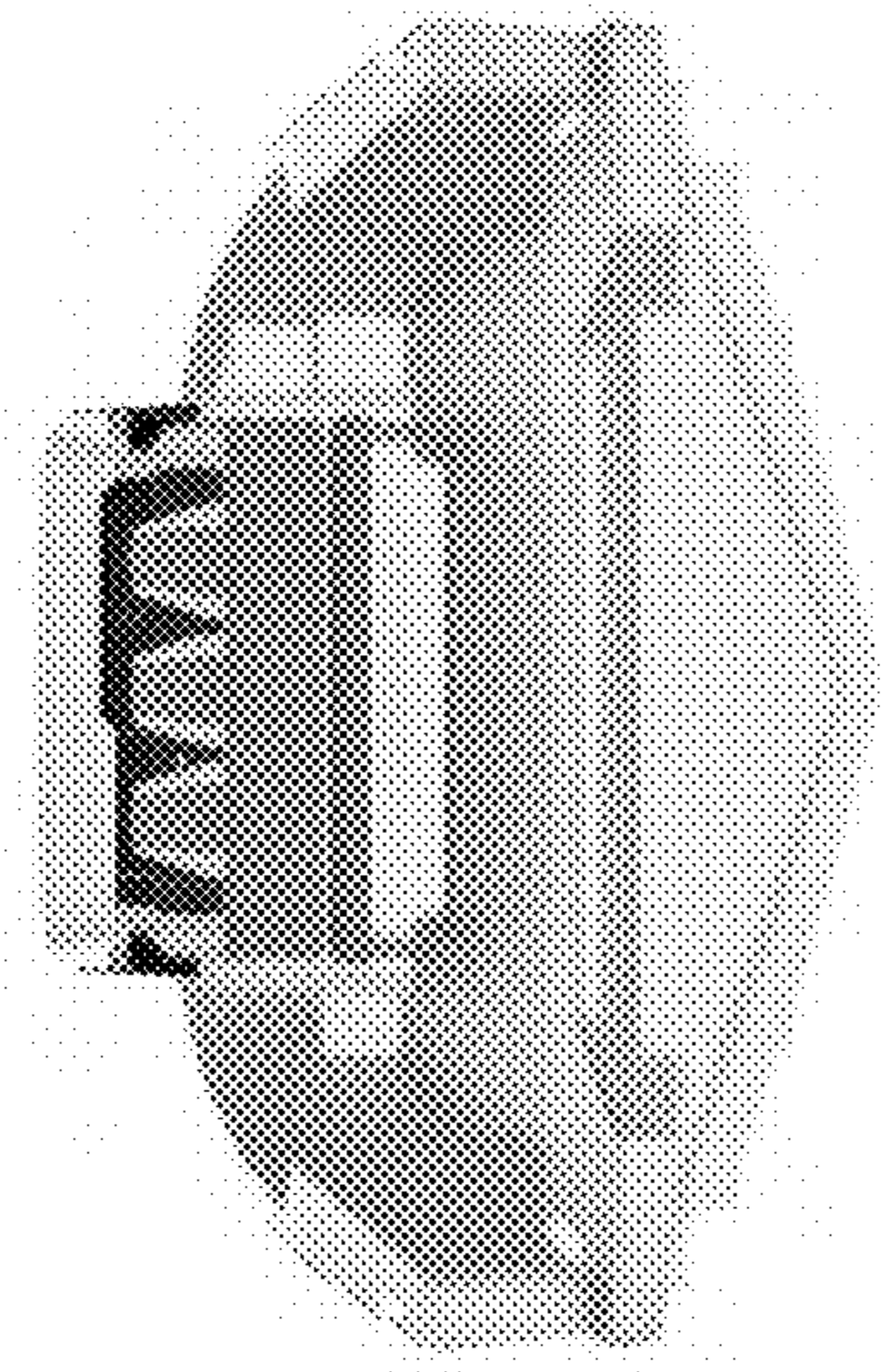


FIG. 5



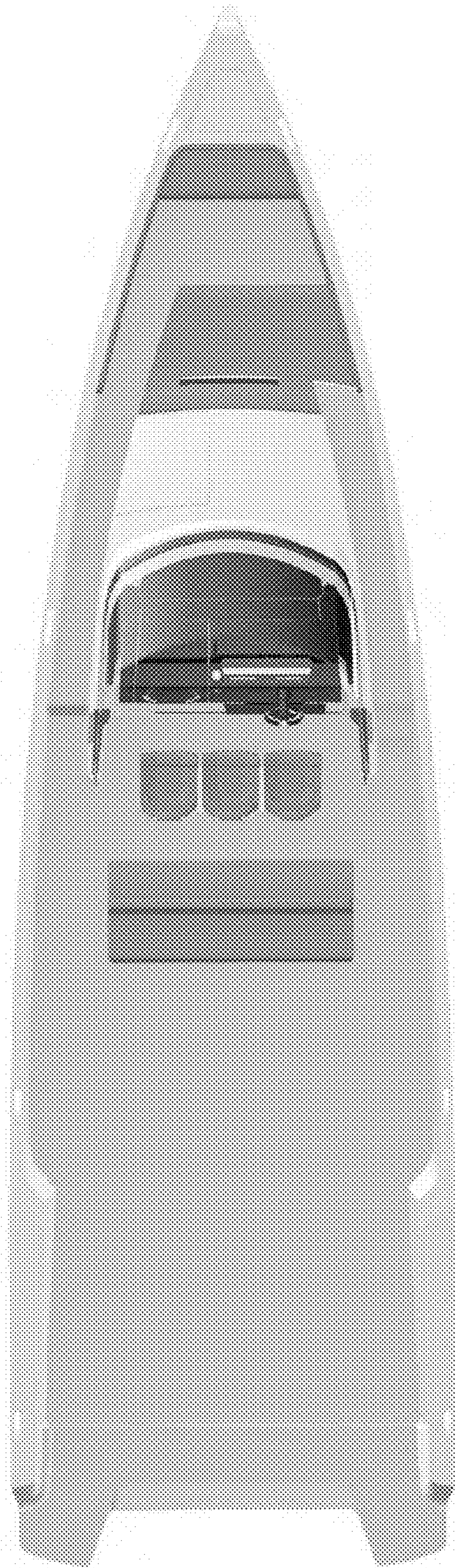


FIG. 6



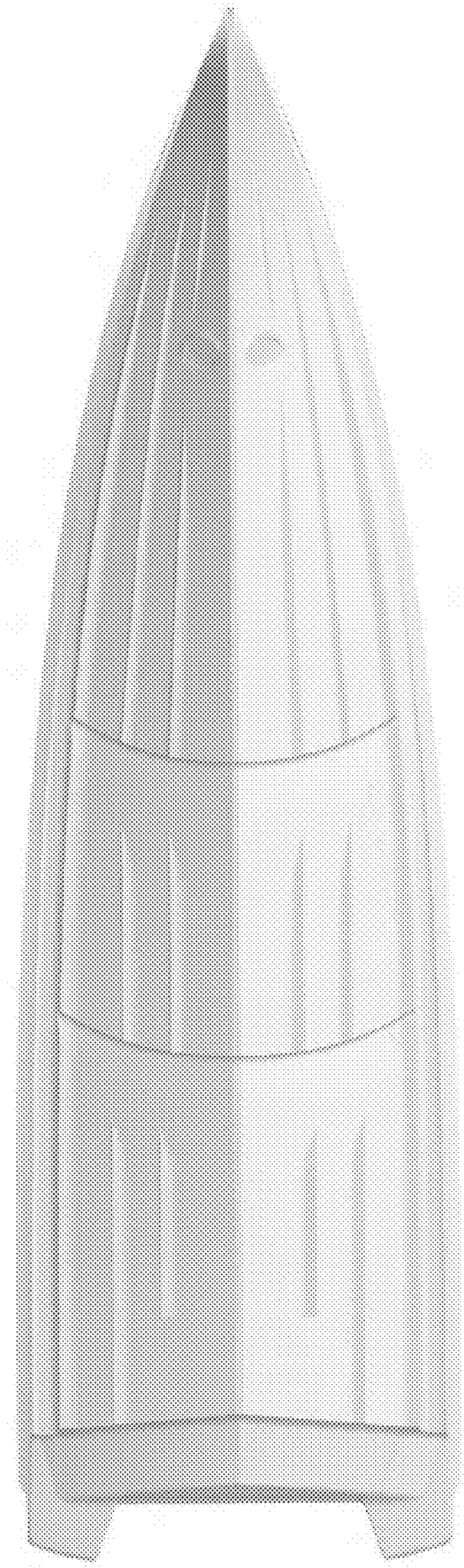
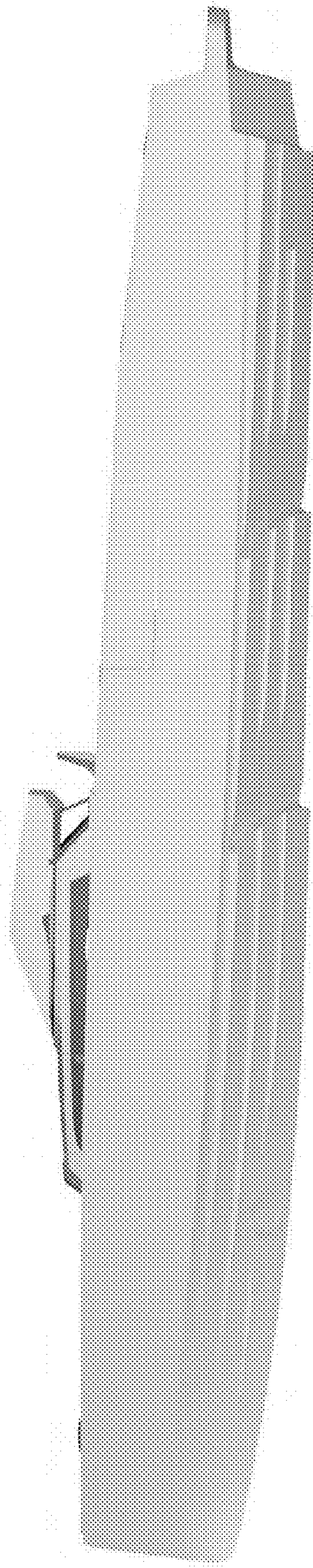


FIG. 7



**FIG. 8**