



US00D977402S

(12) **United States Design Patent** (10) **Patent No.:** **US D977,402 S**  
**Liu et al.** (45) **Date of Patent:** **\*\* Feb. 7, 2023**

(54) **VEHICLE WHEEL**  
(71) Applicant: **CITIC Dicastal Co., Ltd.**,  
Qinhuangdao (CN)  
(72) Inventors: **Zhichong Liu**, Qinhuangdao (CN);  
**Shiwen Xu**, Qinhuangdao (CN);  
**Zhихua Zhu**, Qinhuangdao (CN); **Zuo**  
**Xu**, Qinhuangdao (CN)

D546,748 S \* 7/2007 Young ..... D12/211  
D569,323 S \* 5/2008 Laengerer ..... D12/211  
D593,922 S \* 6/2009 Blasi ..... D12/211  
D673,493 S \* 1/2013 Lemke ..... D12/209  
D733,632 S \* 7/2015 Juergens ..... D12/211  
D837,128 S \* 1/2019 Liu ..... D12/209  
D893,391 S \* 8/2020 Liu ..... D12/209  
D894,085 S \* 8/2020 Liu ..... D12/209  
D932,409 S \* 10/2021 Burki ..... D12/209  
D941,732 S \* 1/2022 Mukti ..... D12/209  
D960,069 S \* 8/2022 Stevens ..... D12/211

(73) Assignee: **CITIC Dicastal Co., Ltd.**,  
Qinhuangdao (CN)

\* cited by examiner

(\*\*) Term: **15 Years**

*Primary Examiner* — Cary M Robinson

*Assistant Examiner* — Adam C Mager

(21) Appl. No.: **29/781,665**

(74) *Attorney, Agent, or Firm* — IPro, PLLC

(22) Filed: **Apr. 30, 2021**

(51) **LOC (14) Cl.** ..... **12-16**

(57) **CLAIM**

(52) **U.S. Cl.**  
USPC ..... **D12/211**

The ornamental design for a vehicle wheel, as shown and described.

(58) **Field of Classification Search**  
USPC ..... D12/204–213, 501; D21/423, 533, 563,  
D21/779

**DESCRIPTION**

CPC .... B60B 7/00; B60B 7/01; B60B 7/02; B60B  
7/04; B60B 7/06; B60B 3/02; B60B 3/04;  
B60B 3/06; B60B 3/10; B60B 1/00;  
B60B 1/08; B60B 1/10; B60B 1/12  
See application file for complete search history.

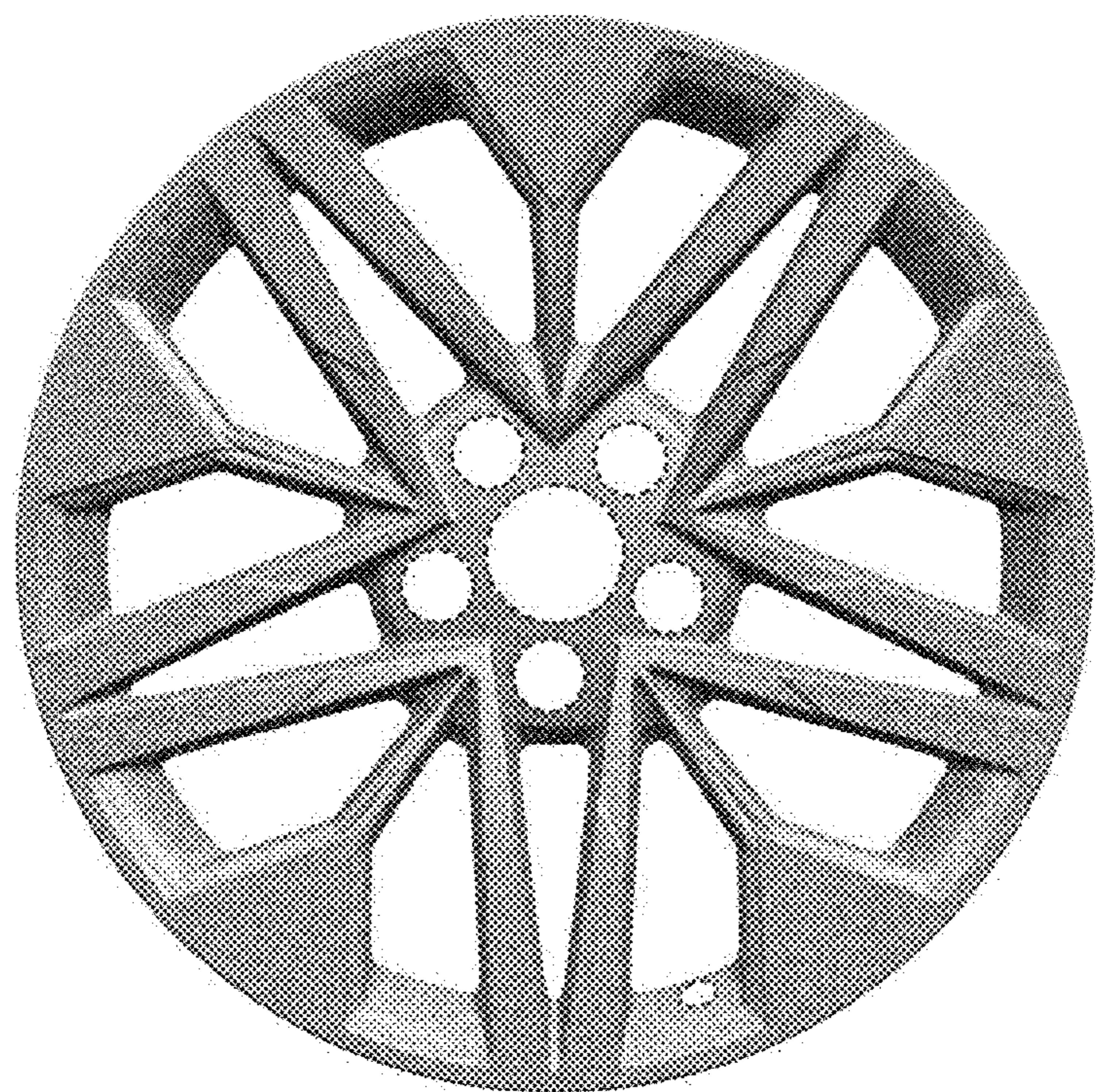
FIG. 1 is a front view of a vehicle wheel.  
FIG. 2 is a perspective view of the vehicle wheel; and,  
FIG. 3 is a left side view of the vehicle wheel.  
The broken lines in the drawings illustrate portions of the  
vehicle wheel in which the design is embodied that form no  
part of the claimed design.

(56) **References Cited**

U.S. PATENT DOCUMENTS

D454,826 S \* 3/2002 Kaucher ..... D12/211  
D542,727 S \* 5/2007 Manfredini ..... D12/211

**1 Claim, 3 Drawing Sheets**



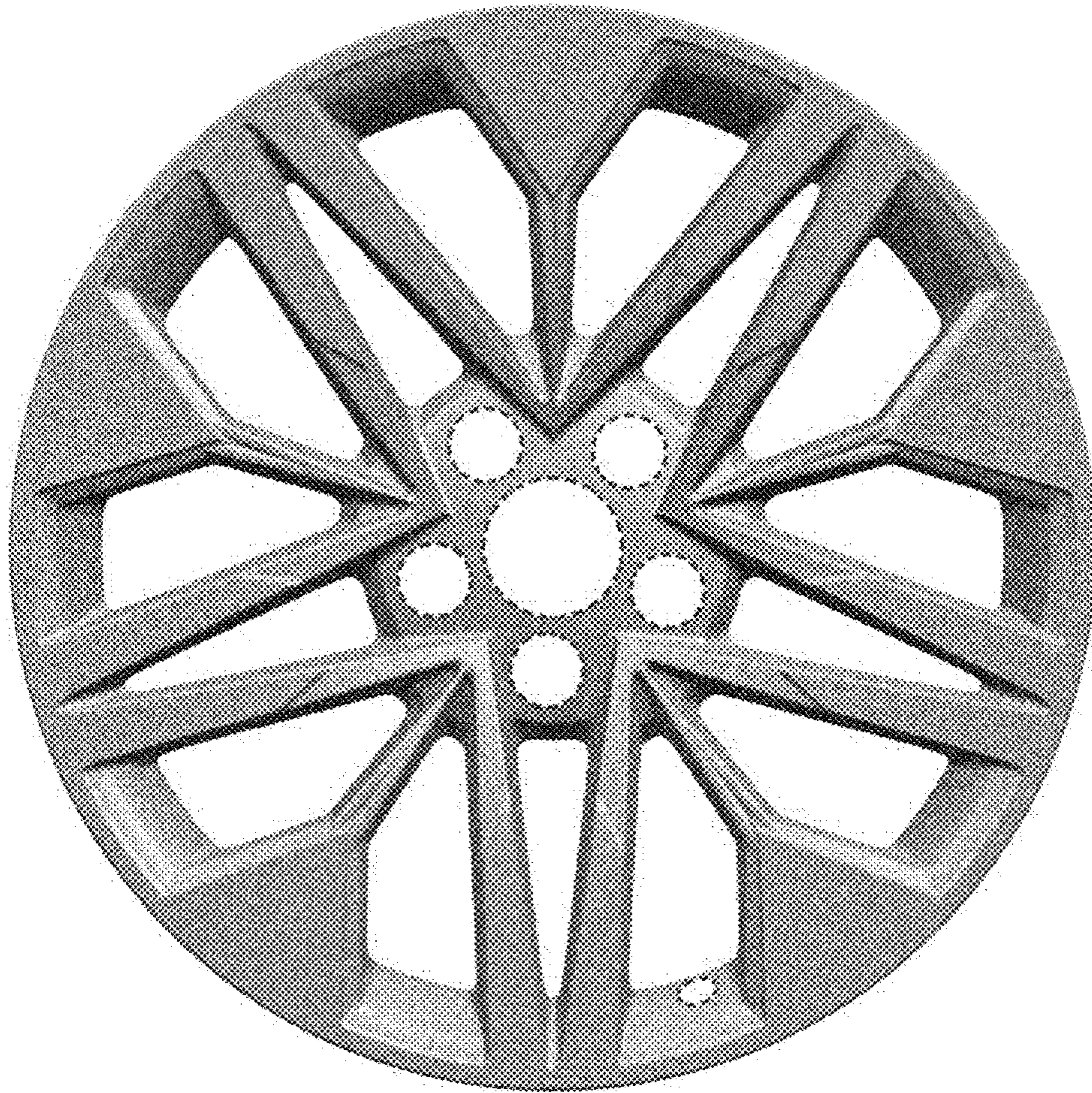


FIG. 1

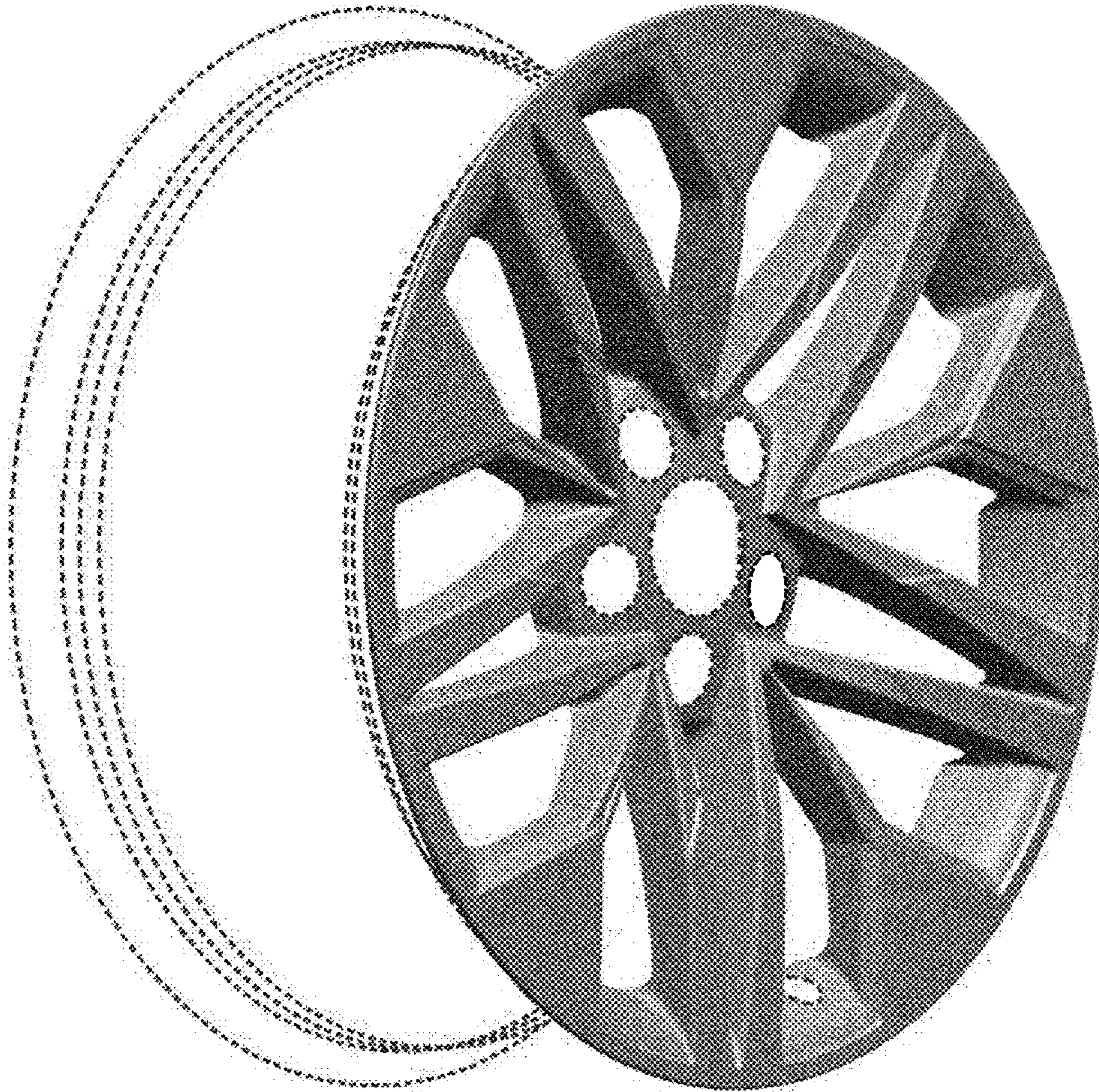


FIG. 2

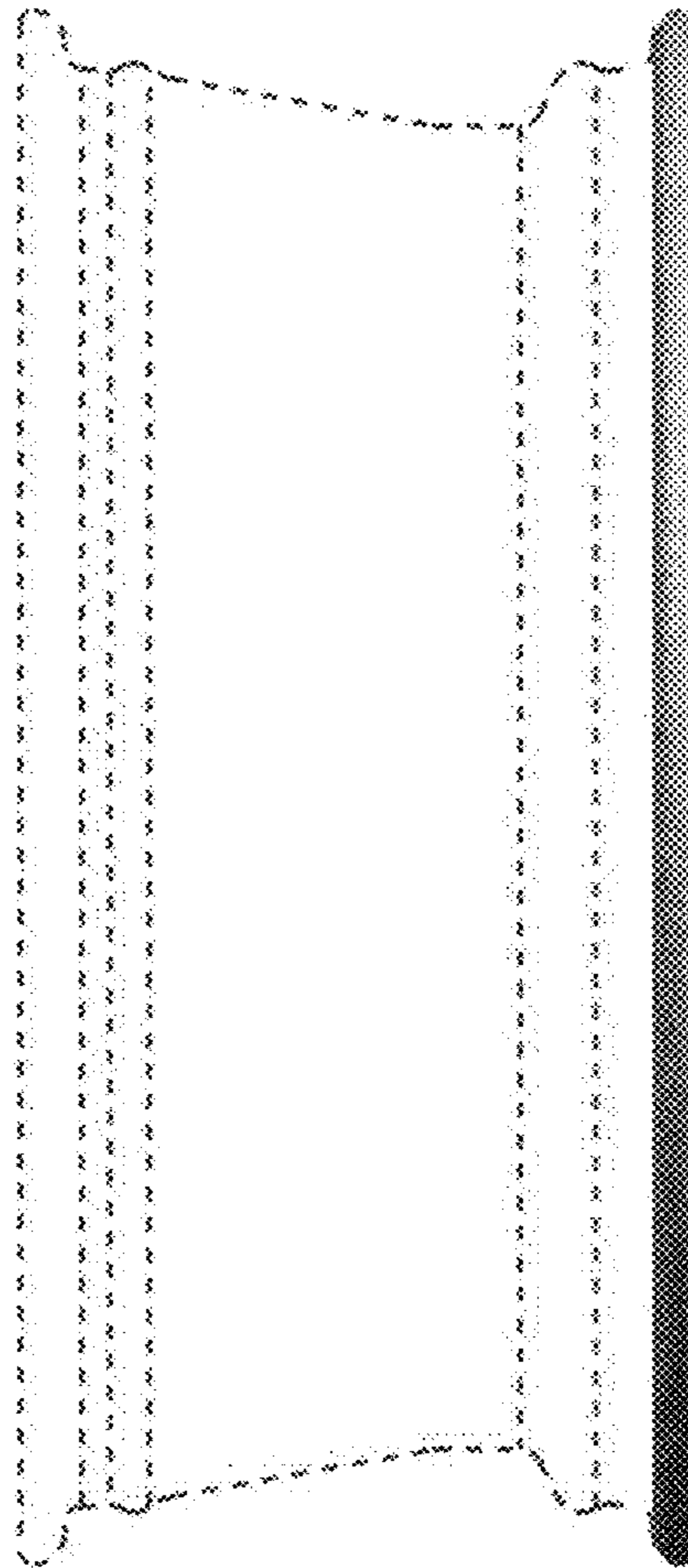


FIG. 3