



US00D977401S

(12) **United States Design Patent** (10) **Patent No.:** **US D977,401 S**
Liu et al. (45) **Date of Patent:** **** Feb. 7, 2023**

(54) **VEHICLE WHEEL**

(56) **References Cited**

(71) Applicant: **CITIC Dicastal Co., Ltd.**,
Qinhuangdao (CN)
(72) Inventors: **Zhichong Liu**, Qinhuangdao (CN);
Shiwen Xu, Qinhuangdao (CN);
Zhihua Zhu, Qinhuangdao (CN); **Zuo**
Xu, Qinhuangdao (CN)
(73) Assignee: **CITIC Dicastal Co., Ltd.**,
Qinhuangdao (CN)

U.S. PATENT DOCUMENTS

D235,430 S	*	6/1975	Scott	D12/205
D438,164 S	*	2/2001	Langerer	D12/211
D454,826 S	*	3/2002	Kaucher	D12/211
D593,922 S	*	6/2009	Blasi	D12/211
D841,556 S	*	2/2019	Liu	D12/209
D867,255 S	*	11/2019	Tian	D12/209
D893,391 S	*	8/2020	Liu	D12/209
D927,396 S	*	8/2021	Xia	D12/211
D940,626 S	*	1/2022	Verbrugge	D12/209

* cited by examiner

(**) Term: **15 Years**

Primary Examiner — Cary M Robinson

Assistant Examiner — Adam C Mager

(21) Appl. No.: **29/781,662**

(74) *Attorney, Agent, or Firm* — IPro, PLLC

(22) Filed: **Apr. 30, 2021**

(57) **CLAIM**

(51) **LOC (14) Cl.** **12-16**

The ornamental design for a vehicle wheel, as shown and described.

(52) **U.S. Cl.**

DESCRIPTION

USPC **D12/211**

(58) **Field of Classification Search**

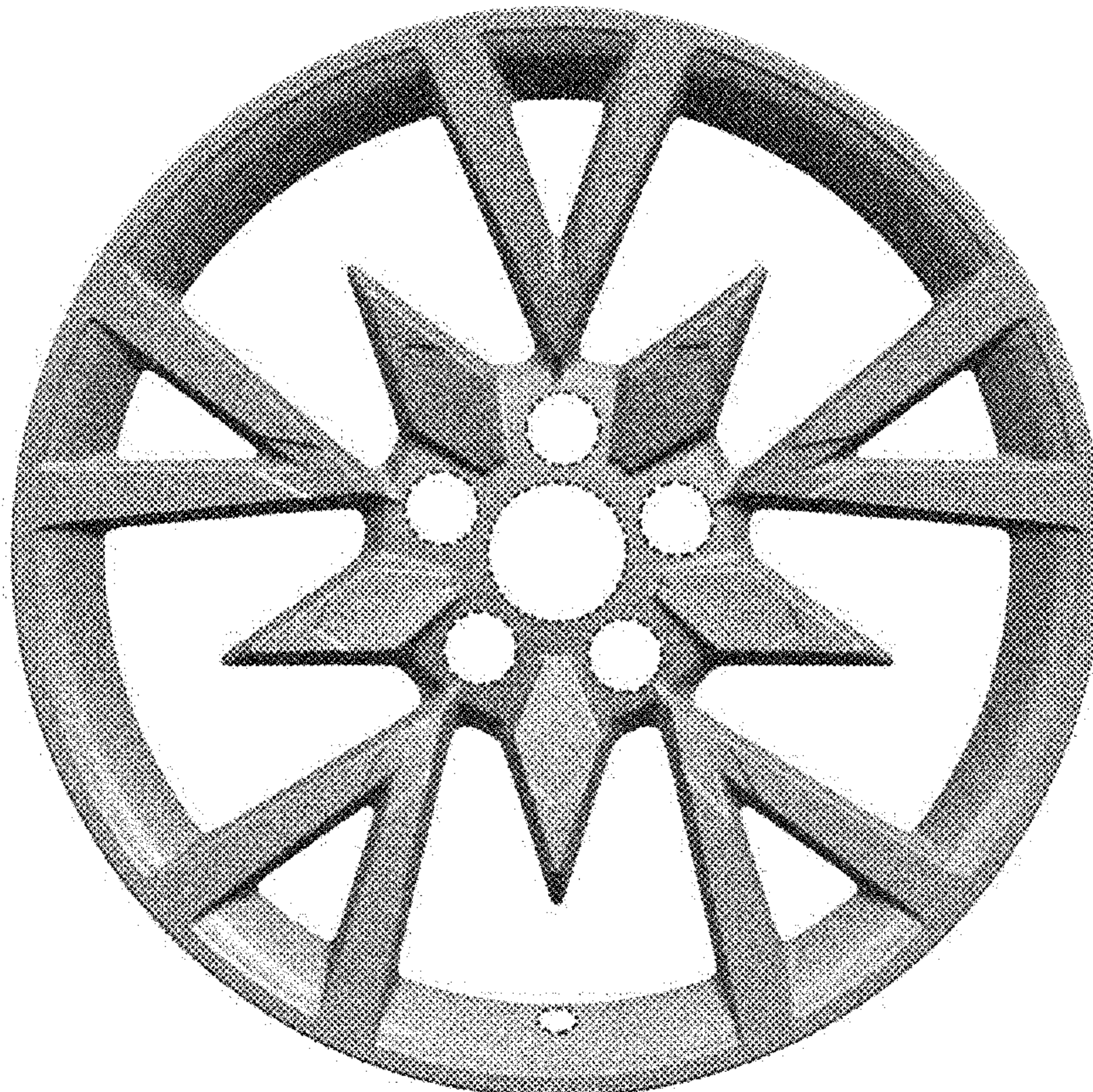
USPC D12/204–213, 501; D21/423, 533, 563,
D21/779

CPC B60B 7/00; B60B 7/01; B60B 7/02; B60B
7/04; B60B 7/06; B60B 3/02; B60B 3/04;
B60B 3/06; B60B 3/10; B60B 1/00;
B60B 1/08; B60B 1/10; B60B 1/12

FIG. 1 is a front view of a vehicle wheel.
FIG. 2 is a perspective view of the vehicle wheel; and,
FIG. 3 is a left side view of the vehicle wheel.
The broken lines in the drawings illustrate portions of the
vehicle wheel in which the design is embodied that form no
part of the claimed design.

See application file for complete search history.

1 Claim, 3 Drawing Sheets



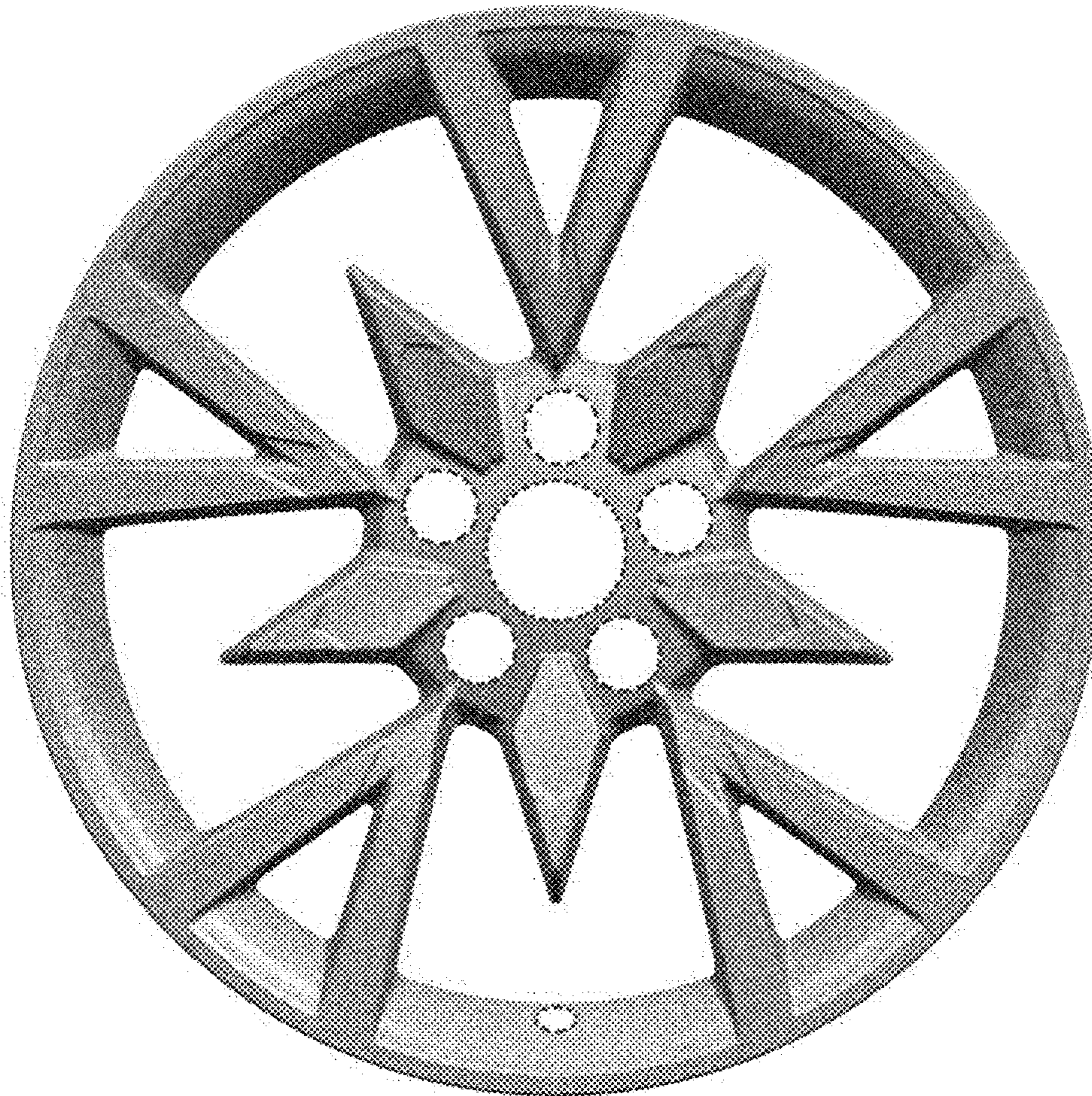


FIG. 1

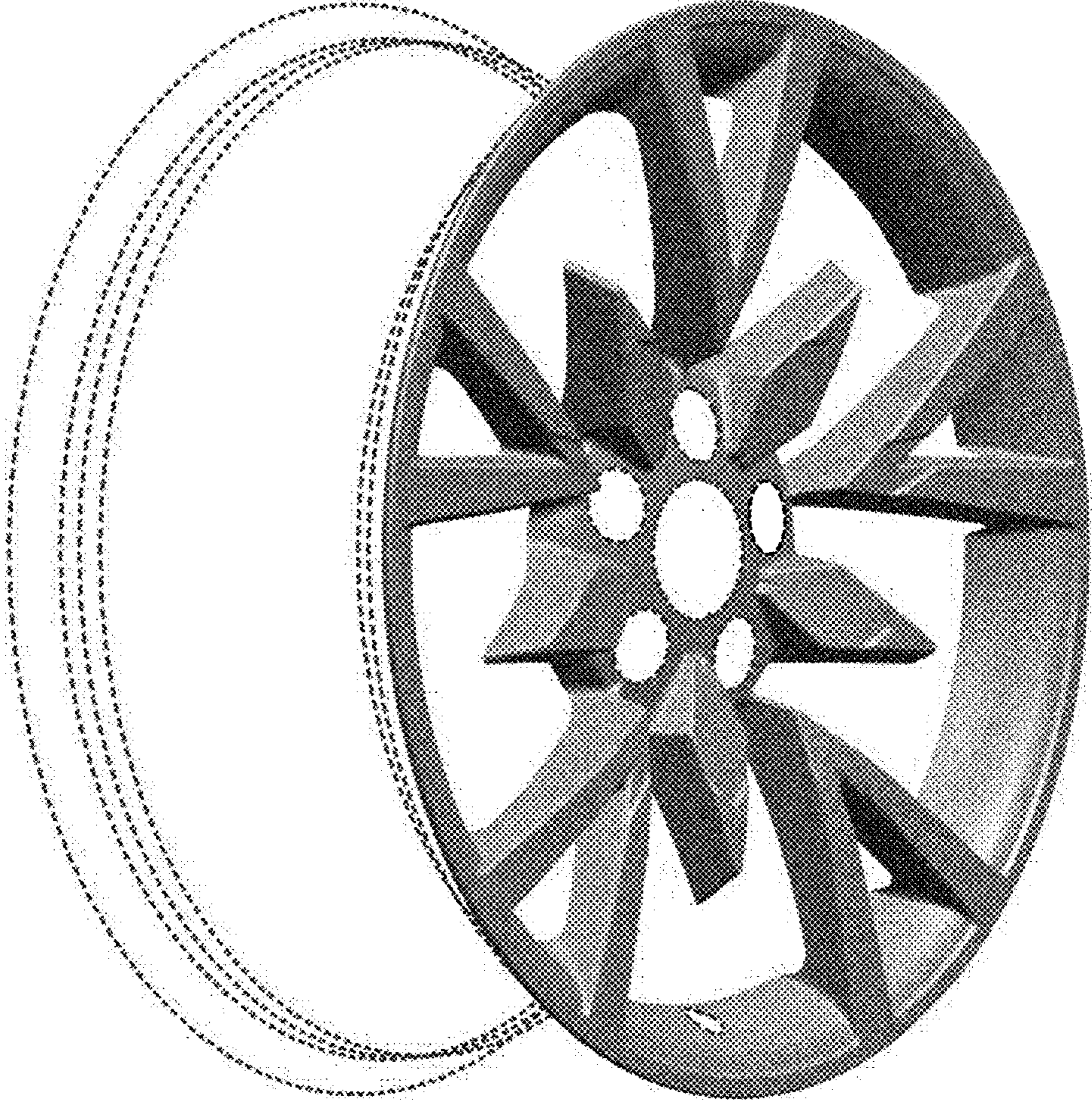


FIG. 2

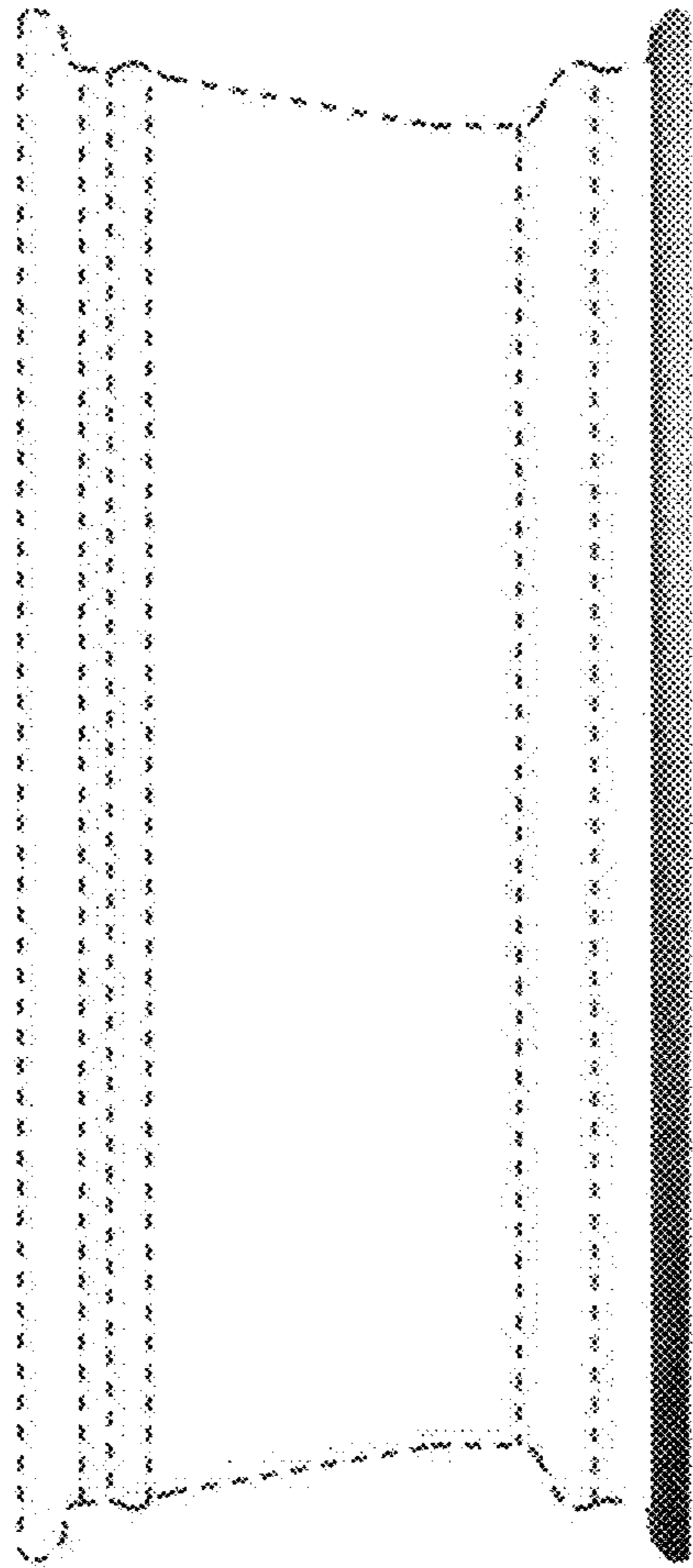


FIG. 3