



US00D977399S

(12) **United States Design Patent**
Liu et al.

(10) **Patent No.:** **US D977,399 S**

(45) **Date of Patent:** **** Feb. 7, 2023**

(54) **VEHICLE WHEEL**

(71) Applicant: **CITIC Dicastal Co., Ltd.**,
Qinhuangdao (CN)

(72) Inventors: **Zhichong Liu**, Qinhuangdao (CN);
Shiwen Xu, Qinhuangdao (CN);
Zhijia Zhu, Qinhuangdao (CN); **Zuo Xu**,
Qinhuangdao (CN)

(73) Assignee: **CITIC Dicastal Co., Ltd.**,
Qinhuangdao (CN)

(**) Term: **15 Years**

(21) Appl. No.: **29/781,700**

(22) Filed: **Apr. 30, 2021**

(51) **LOC (14) Cl.** **12-16**

(52) **U.S. Cl.**
USPC **D12/209; D12/211**

(58) **Field of Classification Search**
USPC **D12/204–213; D21/563**
CPC **B60B 7/00; B60B 7/02; B60B 7/04; B60B**
7/01; B60B 7/06; B60B 3/02; B60B 3/04;
B60B 3/06; B60B 3/10; B60B 1/00;
B60B 1/08; B60B 1/10; B60B 1/12
See application file for complete search history.

(56) **References Cited**

U.S. PATENT DOCUMENTS

D473,836 S *	4/2003	Laengerer	D12/211
D502,679 S *	3/2005	Boyer	D12/211
D504,382 S *	4/2005	Elmitt	D12/211
D504,647 S *	5/2005	Leclercq	D12/209
D506,967 S *	7/2005	Kamimura	D12/211
D522,954 S *	6/2006	Hueller	D12/211
D525,930 S *	8/2006	Matsumoto	D12/211

D530,255 S *	10/2006	Pfeiffer	D12/211
D535,604 S *	1/2007	Markefka	D12/211
D585,352 S *	1/2009	Scheu	D12/211
D595,202 S *	6/2009	Spoerle	D12/211
D620,419 S *	7/2010	Lamm	D12/209
D660,772 S *	5/2012	Gotschke	D12/211
D674,331 S *	1/2013	Feuerherdt	D12/211
D689,811 S *	9/2013	Tanevski	D12/211
D716,212 S *	10/2014	Bildhaeuser	D12/209
D725,572 S *	3/2015	Mahoney	D12/211
D726,625 S *	4/2015	Gallert	D12/211
D731,388 S *	6/2015	Gotschke	D12/211
D763,161 S *	8/2016	Morgenstern	D12/211
D790,420 S *	6/2017	Peat	D12/209
D852,699 S *	7/2019	Liu	D12/209
D852,708 S *	7/2019	Lucas	D12/211
D853,297 S *	7/2019	He	D12/209
D881,781 S *	4/2020	Tomasson	D12/209
D885,286 S *	5/2020	Lee	D12/209
D894,081 S *	8/2020	Liu	D12/209
D897,256 S *	9/2020	Han	D12/209
D906,924 S *	1/2021	Liu	D12/209
D911,901 S *	3/2021	Liu	D12/209
D915,979 S *	4/2021	Shida	D12/209

* cited by examiner

Primary Examiner — Calvin E Vansant

(74) *Attorney, Agent, or Firm* — IPro, PLLC

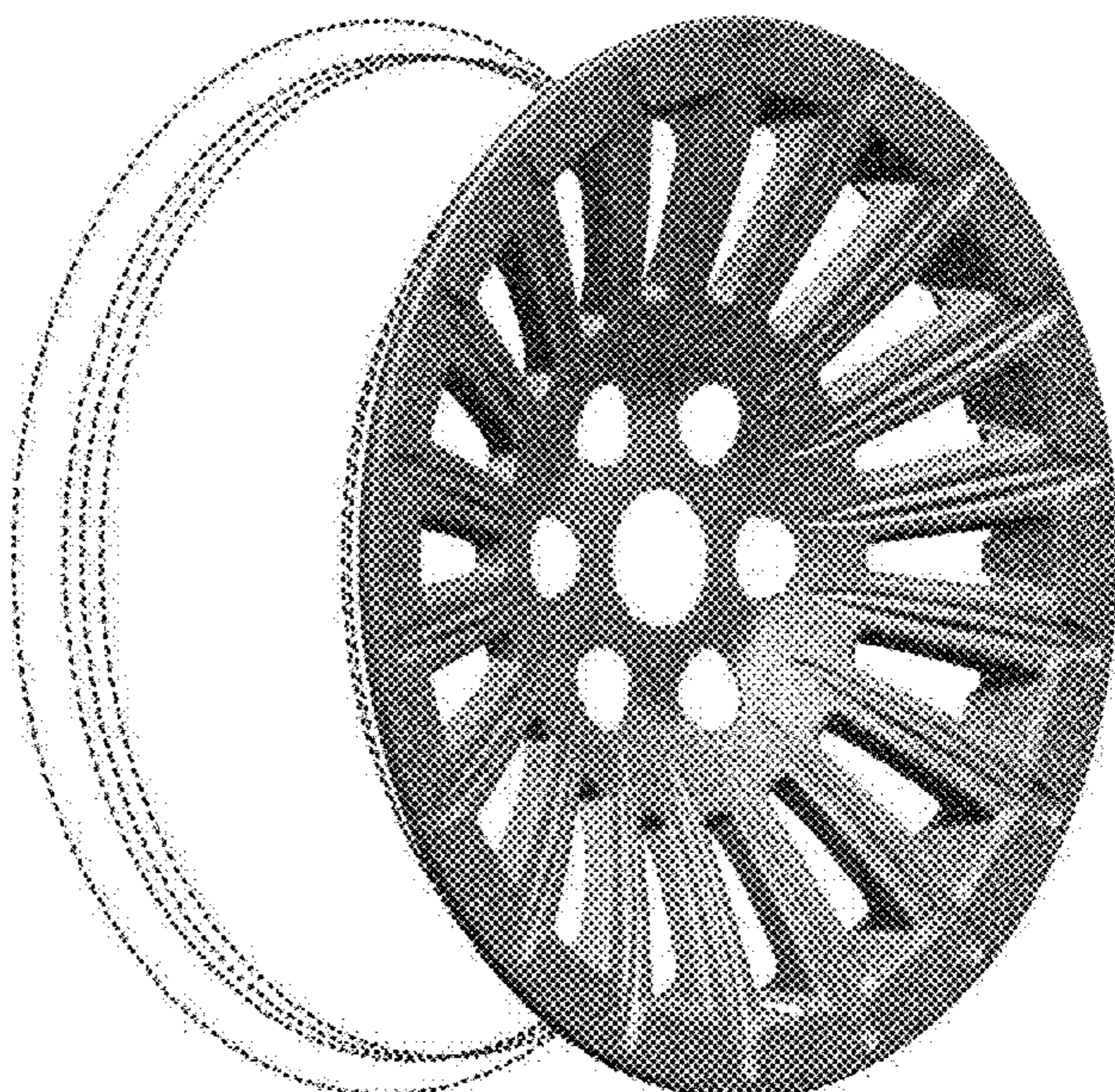
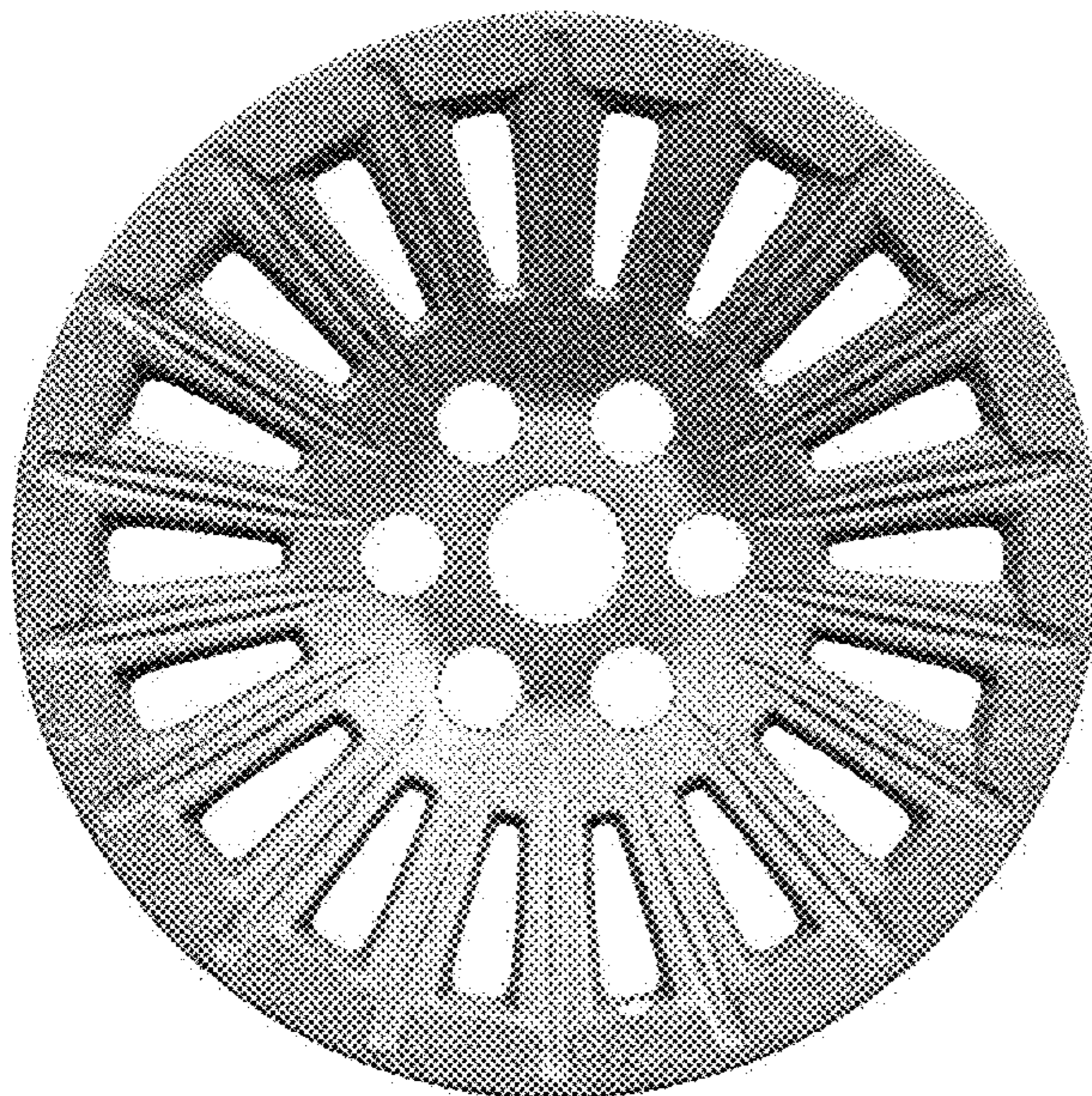
(57) **CLAIM**

The ornamental design for a vehicle wheel, as shown and described.

DESCRIPTION

FIG. 1 is a front view of a vehicle wheel.
FIG. 2 is a perspective view of the vehicle wheel; and,
FIG. 3 is a left side view of the vehicle wheel.
In the drawings the broken lines depict portions of the wheel that form no part of the claimed design.

1 Claim, 3 Drawing Sheets



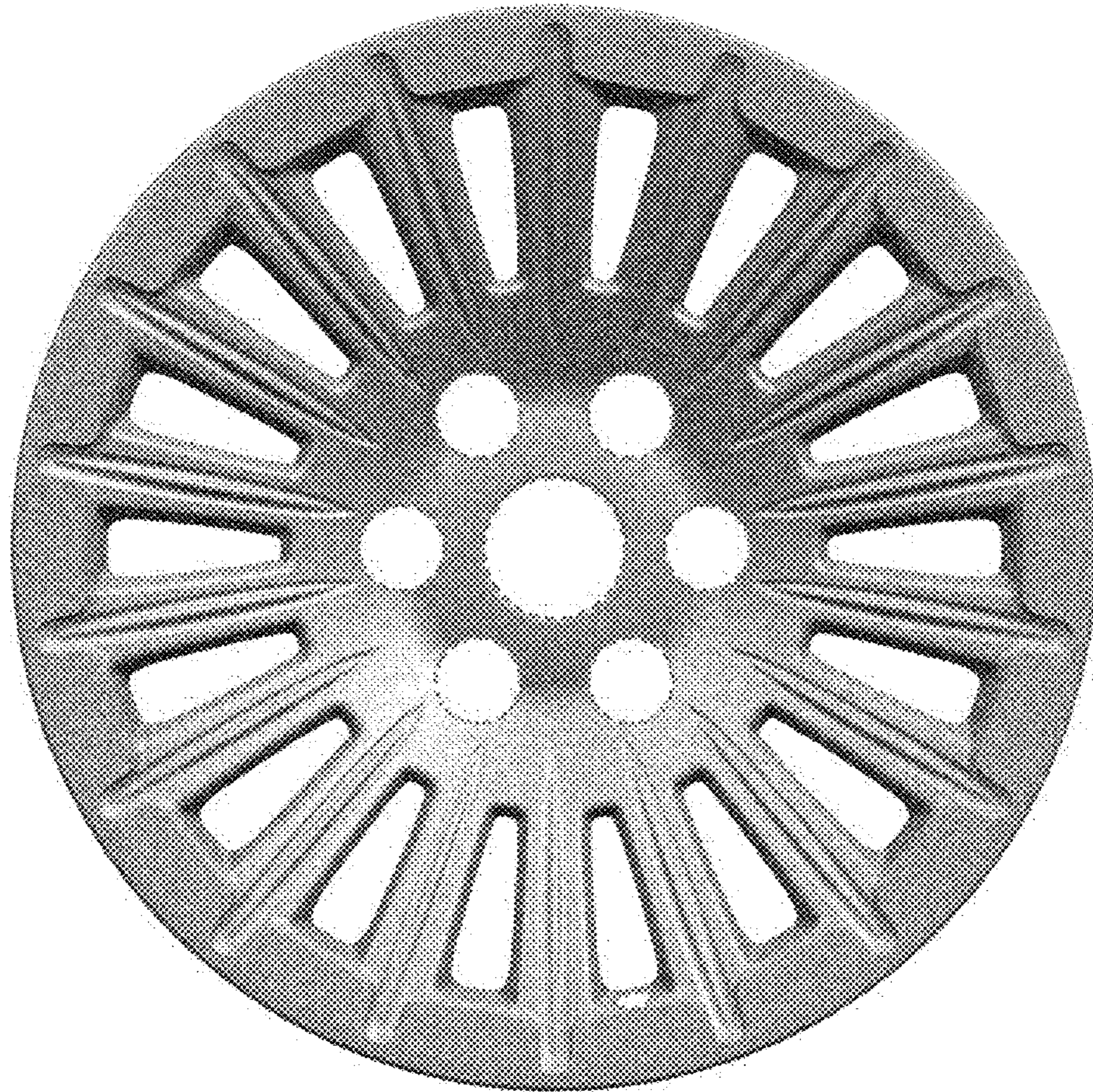


FIG. 1

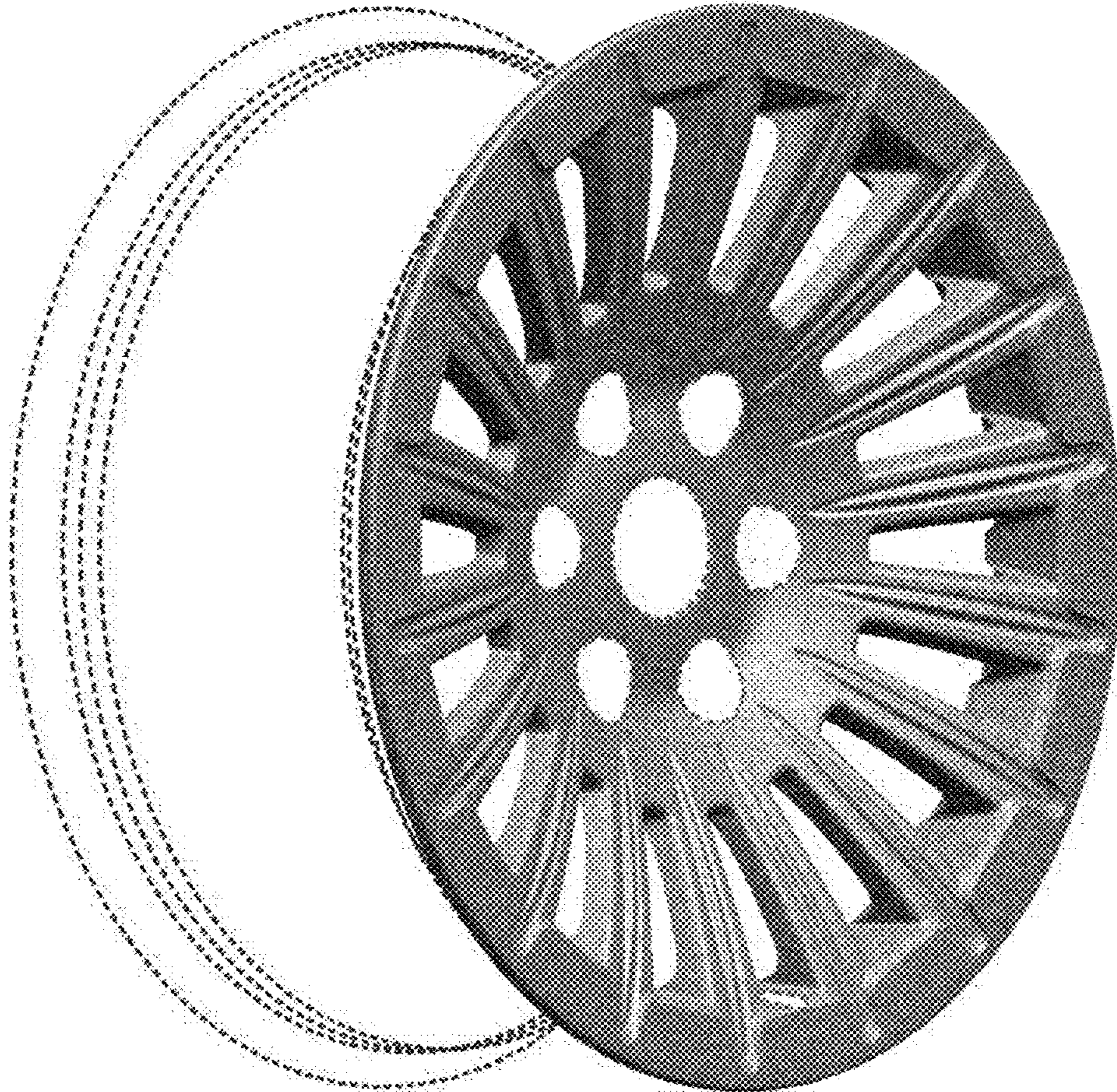


FIG. 2

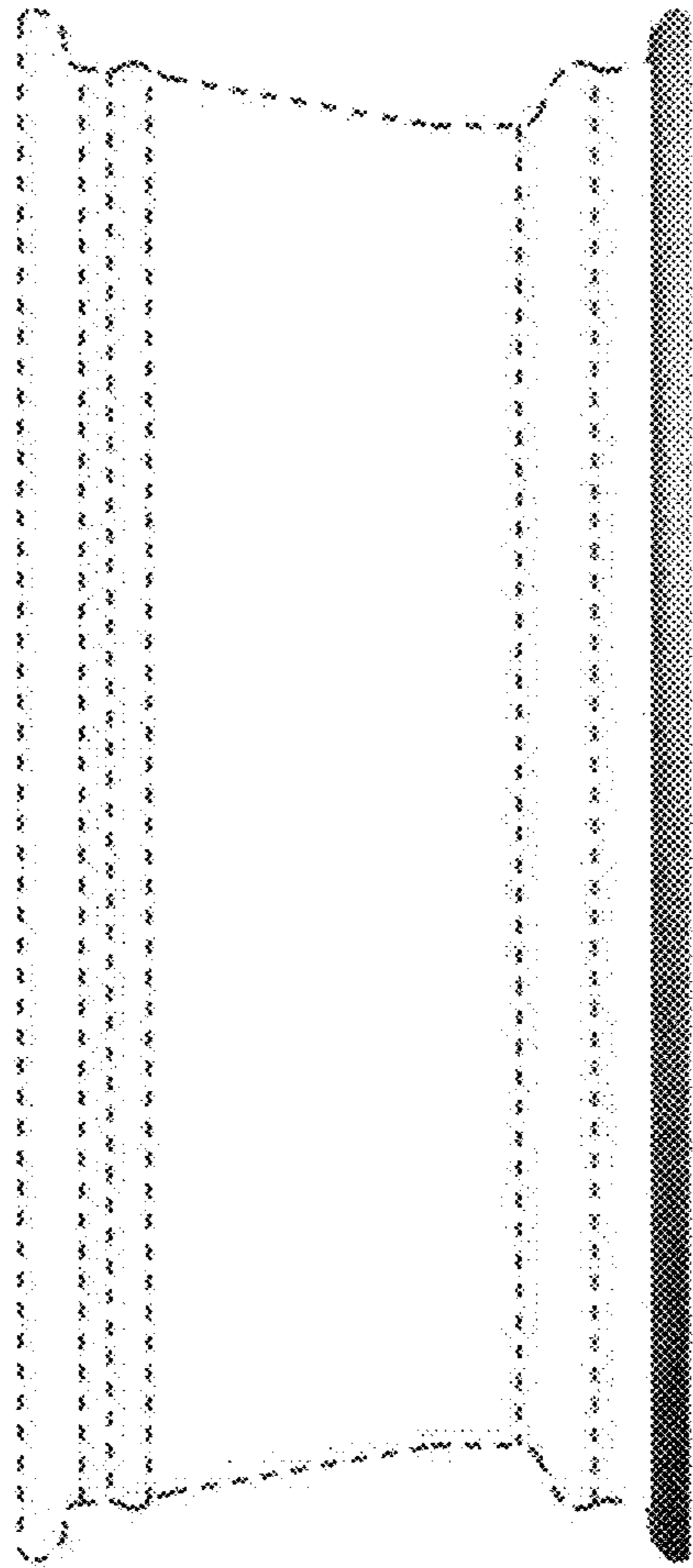


FIG. 3