

US00D977398S

(12) **United States Design Patent**  
**Liu et al.**

(10) **Patent No.:** **US D977,398 S**  
(45) **Date of Patent:** **\*\* Feb. 7, 2023**

(54) **VEHICLE WHEEL**

(71) Applicant: **CITIC Dicastal Co., Ltd.**,  
Qinhuangdao (CN)

(72) Inventors: **Zhichong Liu**, Qinhuangdao (CN);  
**Shiwen Xu**, Qinhuangdao (CN);  
**Zhijia Zhu**, Qinhuangdao (CN); **Zuo**  
**Xu**, Qinhuangdao (CN)

(73) Assignee: **CITIC Dicastal Co., Ltd.**,  
Qinhuangdao (CN)

(\*\*) Term: **15 Years**

(21) Appl. No.: **29/781,687**

(22) Filed: **Apr. 30, 2021**

(51) **LOC (14) Cl.** ..... **12-16**

(52) **U.S. Cl.**

USPC ..... **D12/209**; D12/211

(58) **Field of Classification Search**

USPC ..... D12/204–213; D21/563

CPC .... B60B 7/00; B60B 7/02; B60B 7/04; B60B  
7/01; B60B 7/06; B60B 3/02; B60B 3/04;  
B60B 3/06; B60B 3/10; B60B 1/00;  
B60B 1/08; B60B 1/10; B60B 1/12

See application file for complete search history.

(56) **References Cited**

**U.S. PATENT DOCUMENTS**

D494,917 S \* 8/2004 Pollmann ..... D12/211  
D671,472 S \* 11/2012 Pollmann ..... D12/209

D697,009 S \* 1/2014 Pollmann ..... D12/209  
D734,237 S \* 7/2015 Juergens ..... D12/211  
D740,194 S \* 10/2015 Valencia Pollex ..... D12/209  
D788,004 S \* 5/2017 Mielke ..... D12/209  
D836,526 S \* 12/2018 Skelley ..... D12/211  
D837,122 S \* 1/2019 Ma ..... D12/209  
D841,556 S \* 2/2019 Liu ..... D12/209  
D847,065 S \* 4/2019 O'Neill ..... D12/209  
D856,888 S \* 8/2019 Melville-Brown ..... D12/209  
D869,366 S \* 12/2019 Imazato ..... D12/209  
D899,337 S \* 10/2020 Melikian ..... D12/209  
D906,212 S \* 12/2020 Yamashita ..... D12/209

\* cited by examiner

*Primary Examiner* — Calvin E Vasant

(74) *Attorney, Agent, or Firm* — IPro, PLLC

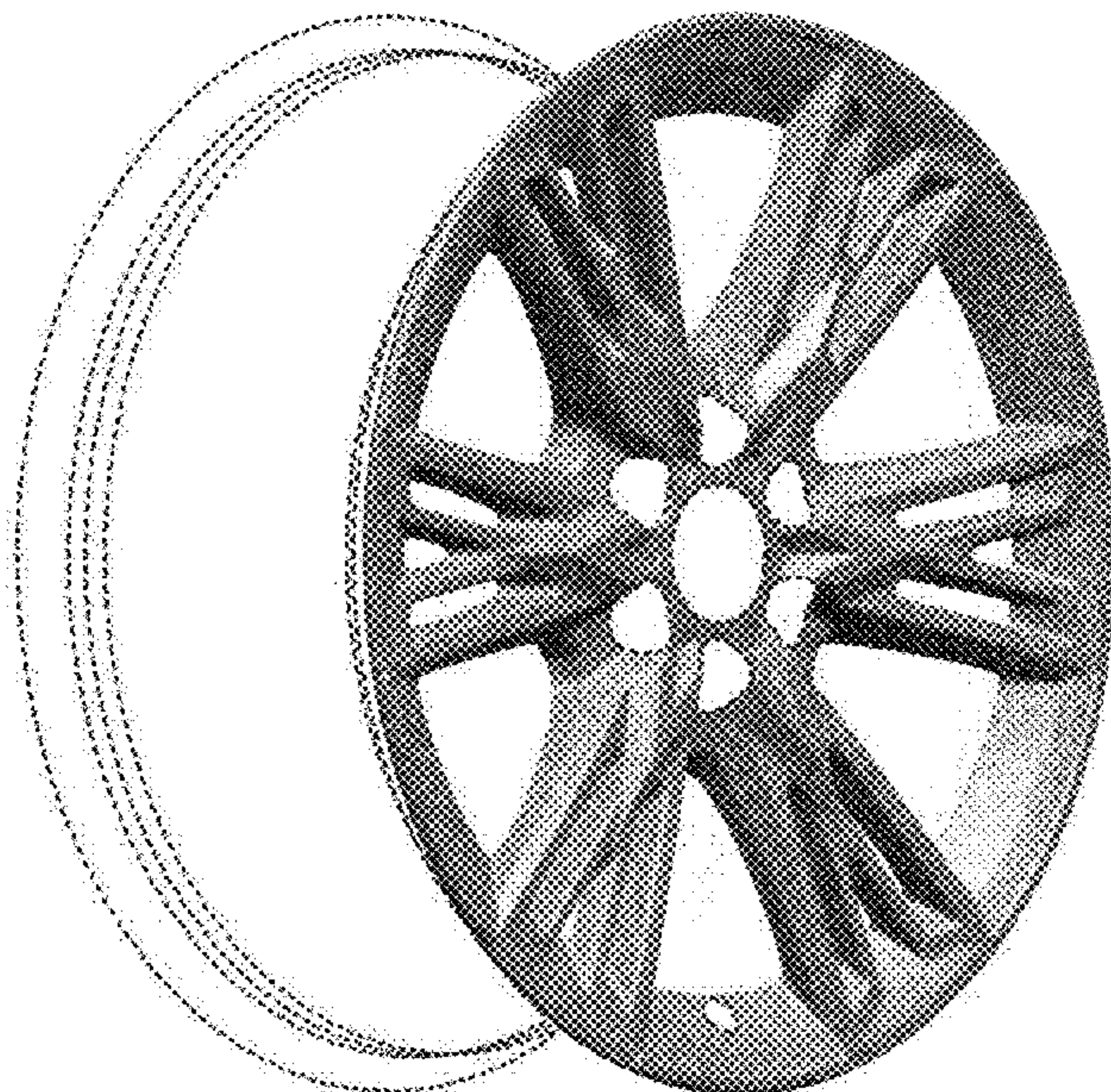
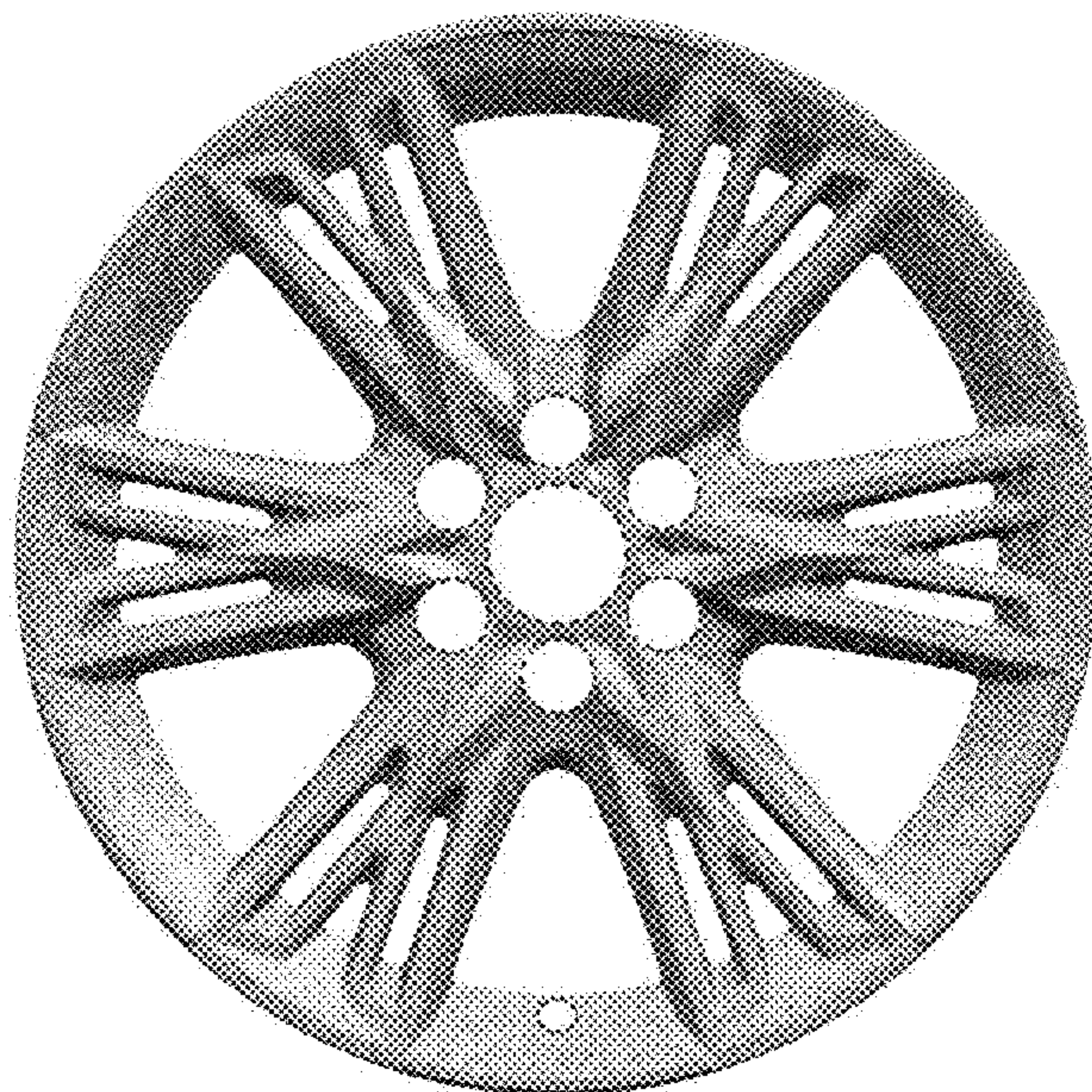
(57) **CLAIM**

The ornamental design for a vehicle wheel, as shown and described.

**DESCRIPTION**

FIG. 1 is a front view of a vehicle wheel.  
FIG. 2 is a perspective view of the vehicle wheel; and,  
FIG. 3 is a left side view of the vehicle wheel.  
In the drawings the broken lines depict portions of the wheel that form no part of the claimed design.

**1 Claim, 3 Drawing Sheets**





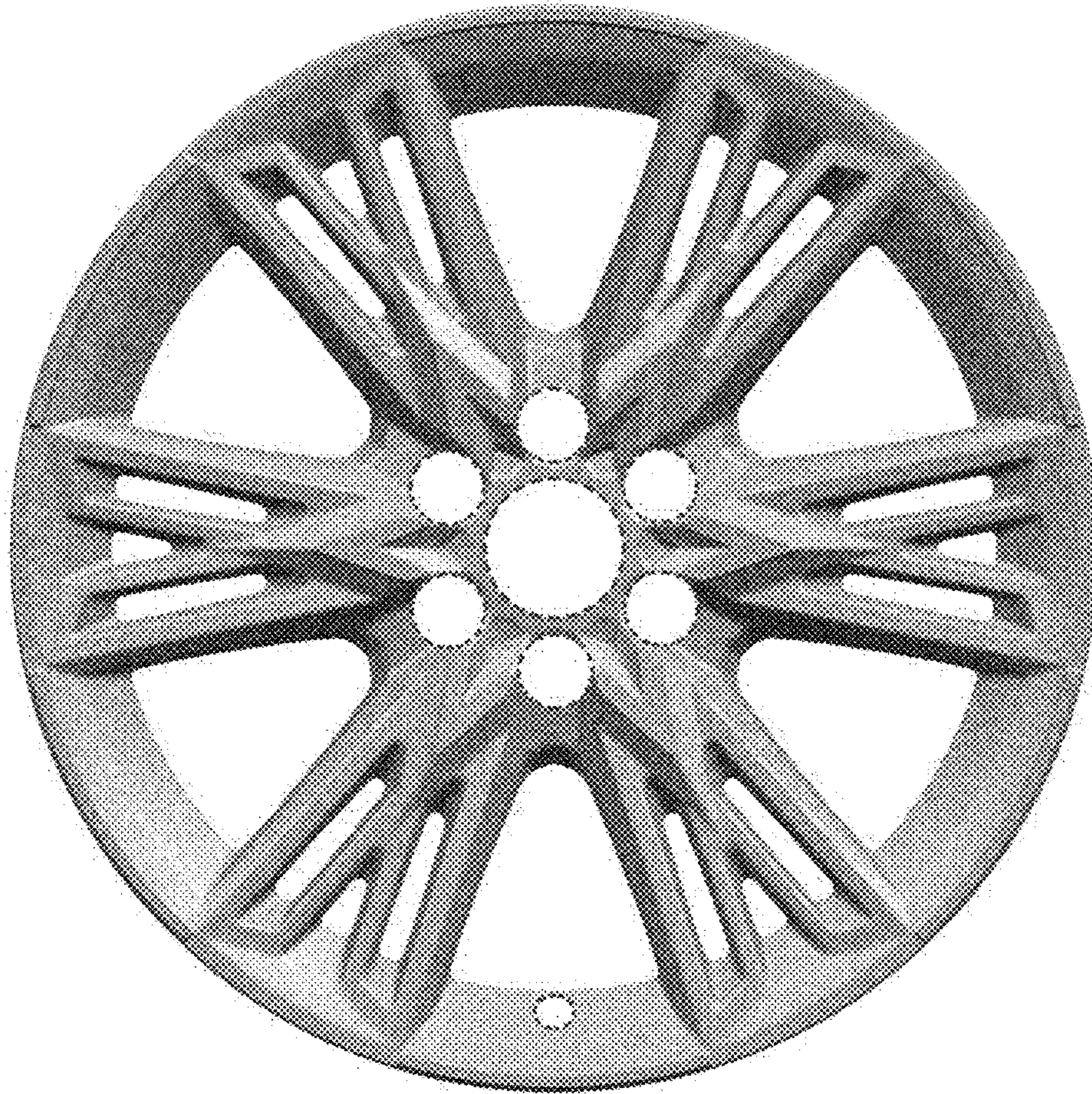


FIG. 1



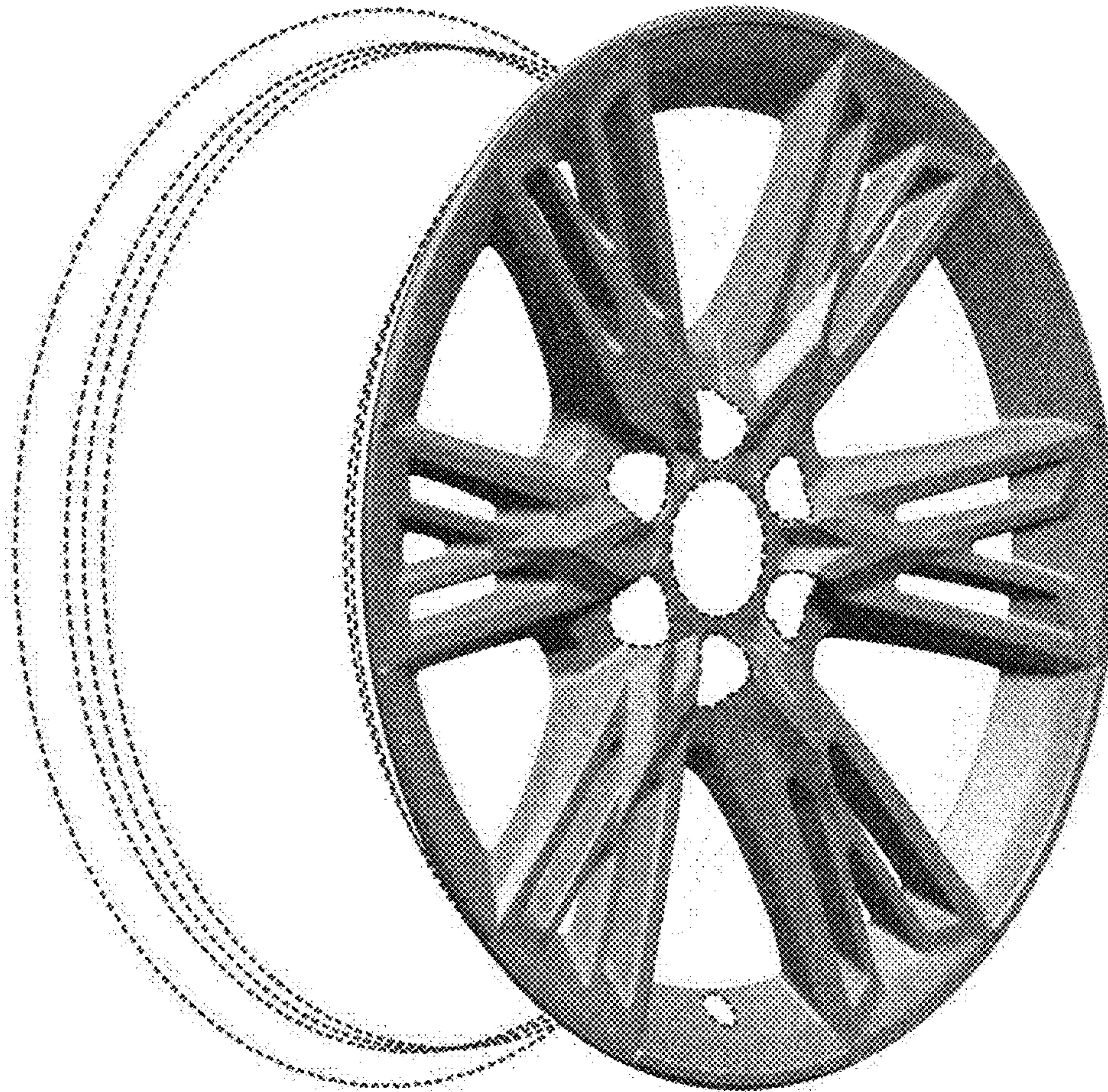


FIG. 2

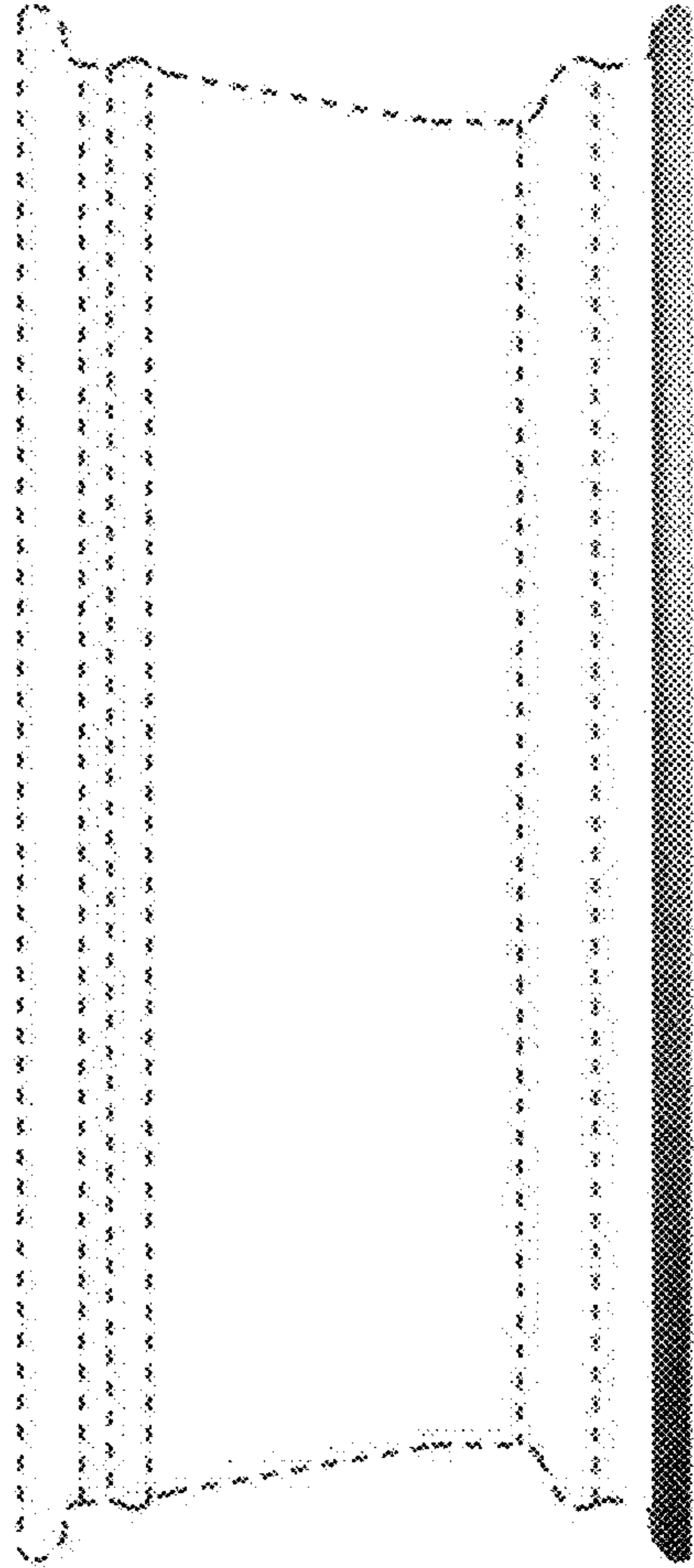


FIG. 3