



US00D977396S

(12) **United States Design Patent** (10) **Patent No.:** **US D977,396 S**
Echazabal et al. (45) **Date of Patent:** **** Feb. 7, 2023**

(54) **VEHICLE WHEEL**

(71) Applicant: **Toyota Motor North America, Inc.**,
Plano, TX (US)

(72) Inventors: **Alberto Echazabal**, Prosper, TX (US);
Jakin C. Wilson, Prosper, TX (US)

(73) Assignee: **Toyota Motor North America, Inc.**,
Plano, TX (US)

(**) Term: **15 Years**

(21) Appl. No.: **29/747,034**

(22) Filed: **Aug. 19, 2020**

(51) **LOC (14) Cl.** **12-16**

(52) **U.S. Cl.**
USPC **D12/209**

(58) **Field of Classification Search**
USPC D12/204–213; D21/563
CPC B60B 7/00; B60B 7/01; B60B 7/02; B60B
7/04; B60B 7/06; B60B 3/02; B60B 3/04;
B60B 3/06; B60B 3/10; B60B 1/00;
B60B 1/08; B60B 1/10; B60B 1/12
See application file for complete search history.

(56) **References Cited**

U.S. PATENT DOCUMENTS

D395,031 S	6/1998	Timm
D402,952 S	12/1998	Sycha
D475,336 S	6/2003	Larson
D496,623 S	9/2004	Elmitt
D554,035 S	10/2007	Groom
D572,185 S	7/2008	Pollmann
D579,397 S	10/2008	Osborne
D586,715 S	2/2009	Cortes
D589,427 S	3/2009	Scheu
D625,238 S	10/2010	Zhao
D628,135 S	11/2010	Zhao
D629,732 S	12/2010	Tirado

D644,587 S	*	9/2011	Gotschke	D12/209
D656,448 S		3/2012	Zhao		
D670,227 S		11/2012	Chung		
D687,756 S		8/2013	Campbell et al.		
D688,187 S		8/2013	McMath		
D706,198 S		6/2014	Chung		
D731,946 S		6/2015	Chung		
D733,027 S		6/2015	Chung		
D750,004 S		2/2016	Chung		
D758,948 S		6/2016	Trpinac		
D765,002 S	*	8/2016	Hoste	D12/209
D767,468 S		9/2016	Stone et al.		
D781,197 S	*	3/2017	Ninov	D12/209
D781,199 S		3/2017	Dionisopoulos et al.		
D781,766 S	*	3/2017	Galante	D12/209
D782,383 S	*	3/2017	Owens	D12/209
D783,496 S	*	4/2017	Glover	D12/209
D786,165 S		5/2017	Hale, Jr.		

(Continued)

Primary Examiner — Cary M Robinson

Assistant Examiner — Adam C Mager

(74) *Attorney, Agent, or Firm* — Dinsmore & Shohl LLP

(57) **CLAIM**

The ornamental design for a vehicle wheel, as shown and described.

DESCRIPTION

FIG. 1 is a front perspective view of a vehicle wheel in accordance with our new design;

FIG. 2 is a rear perspective view thereof;

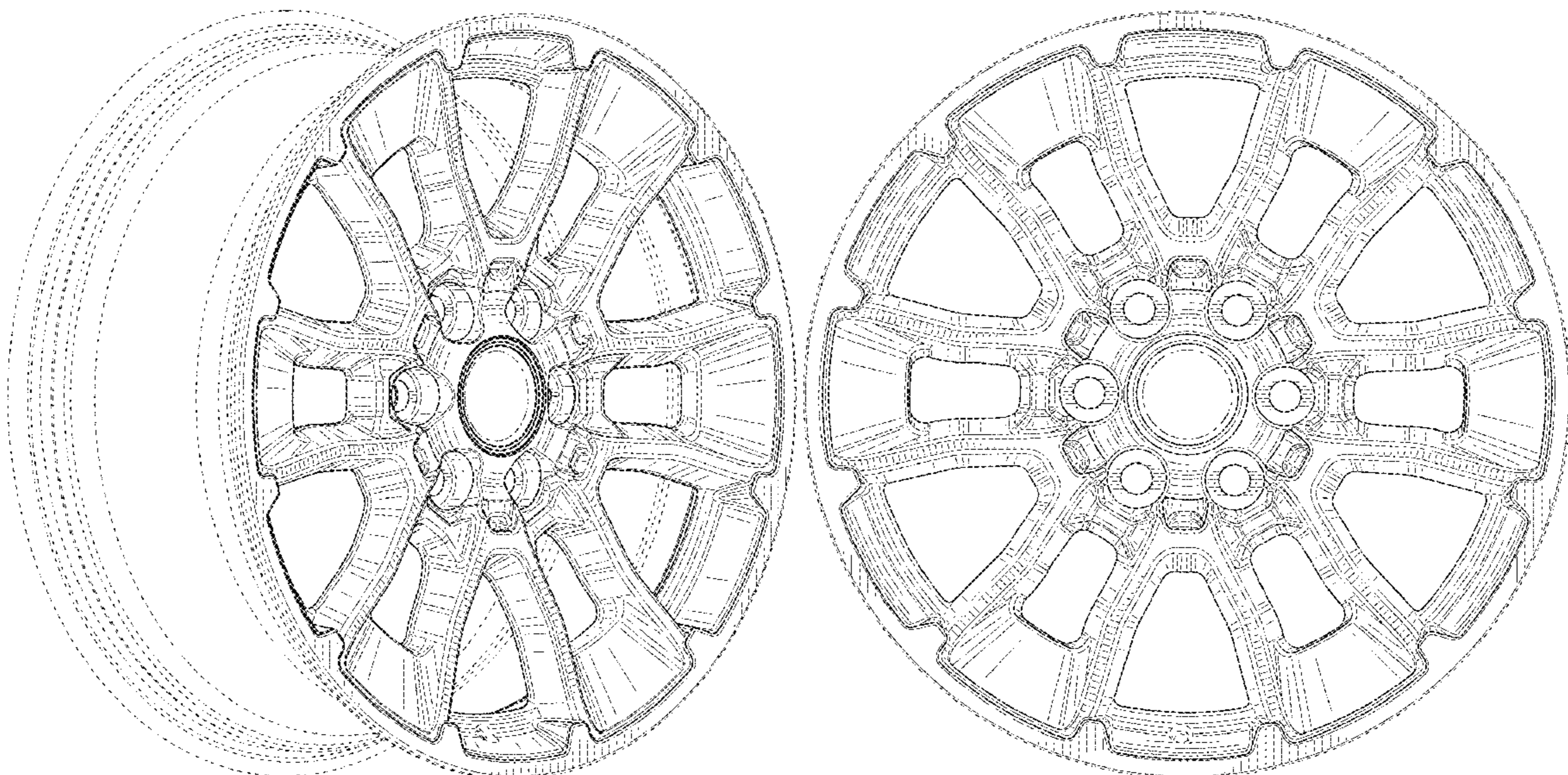
FIG. 3 is a front view thereof;

FIG. 4 is a rear view thereof; and,

FIG. 5 is a left side view thereof, with the right side being a mirror image respectively.

The broken lines in the drawings are included for the purpose of illustrating environmental structure and form no part of the claimed design. The dot-dashed lines are included for the purpose of illustrating boundary lines and form no part of the claimed design.

1 Claim, 5 Drawing Sheets



(56)

References Cited

U.S. PATENT DOCUMENTS

D787,405	S	5/2017	Nakamura	
D789,861	S *	6/2017	Macey	D12/209
D791,036	S *	7/2017	Owens	D12/209
D792,827	S	7/2017	Chung	
D799,399	S	10/2017	Chung	
D800,044	S *	10/2017	Ghobrial	D12/209
D817,846	S	5/2018	Stone et al.	
D835,024	S	12/2018	Han	
D849,660	S	5/2019	Ranum	
D854,487	S	7/2019	Hale	
D855,002	S *	7/2019	Ranum	D12/211
D876,309	S *	2/2020	Echazabal	D12/209
D885,297	S	5/2020	Hale	
D897,924	S *	10/2020	Arias	D12/209
D927,386	S *	8/2021	Licklitter	D12/209

* cited by examiner

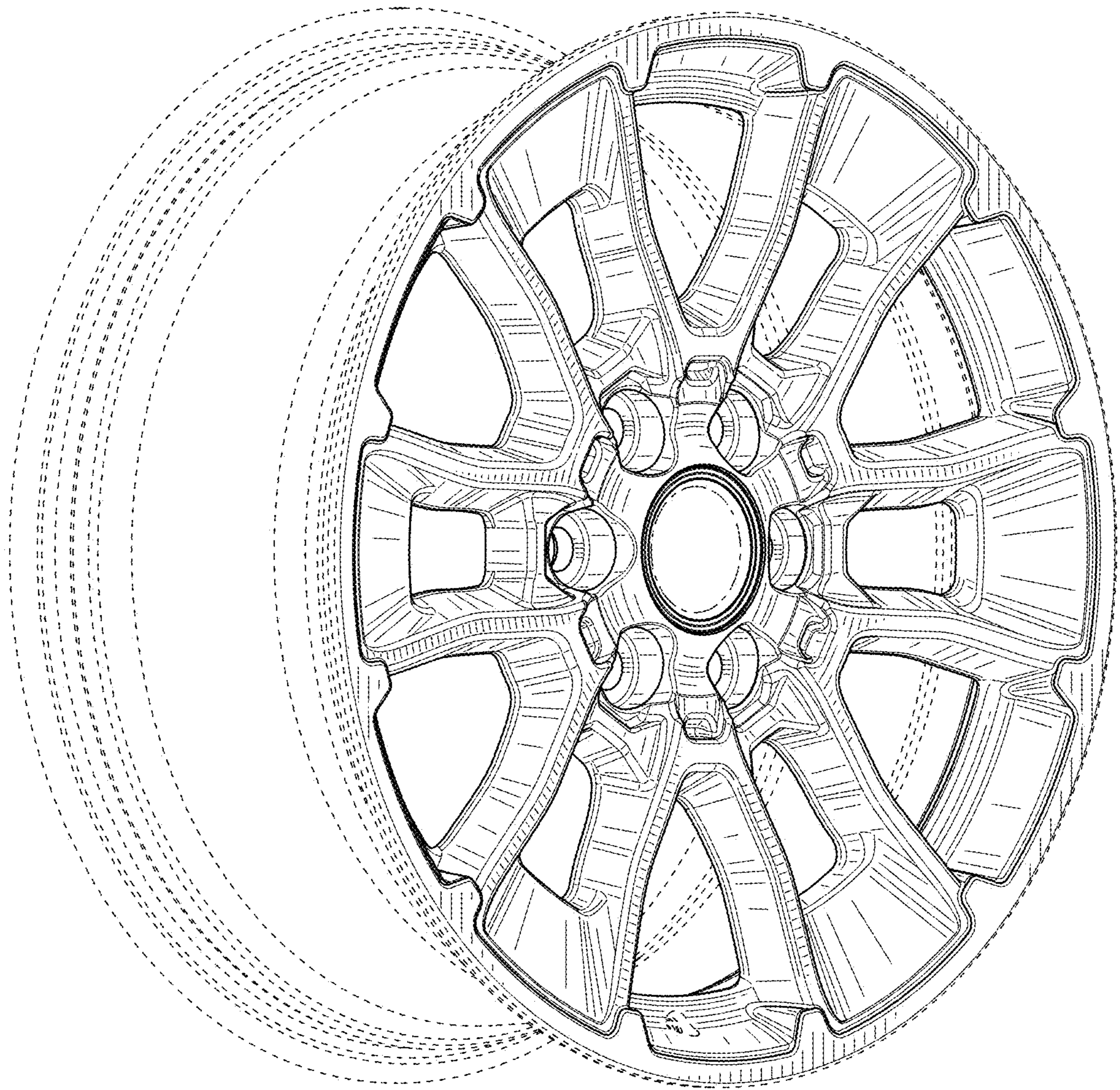


FIG. 1

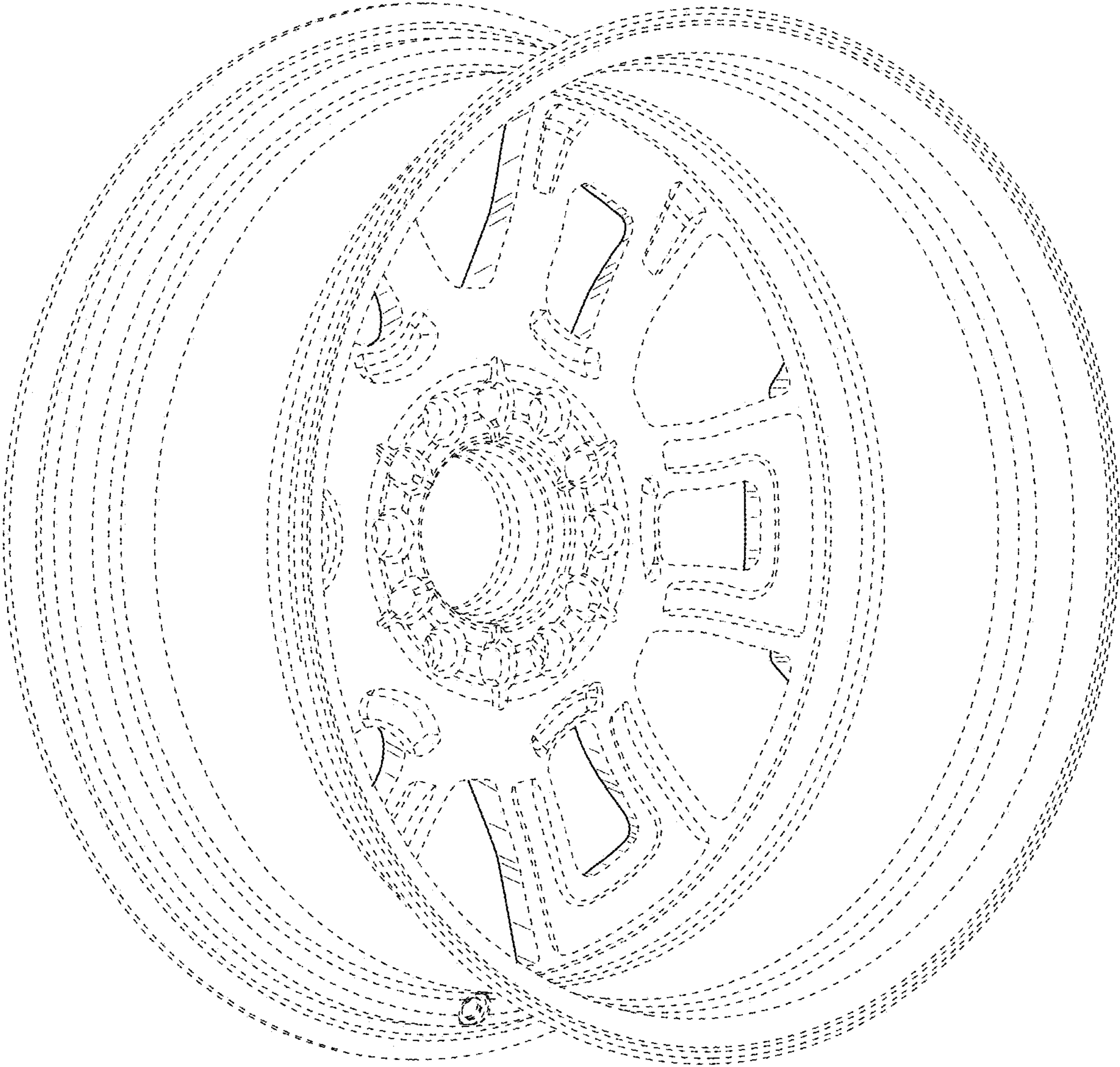


FIG. 2

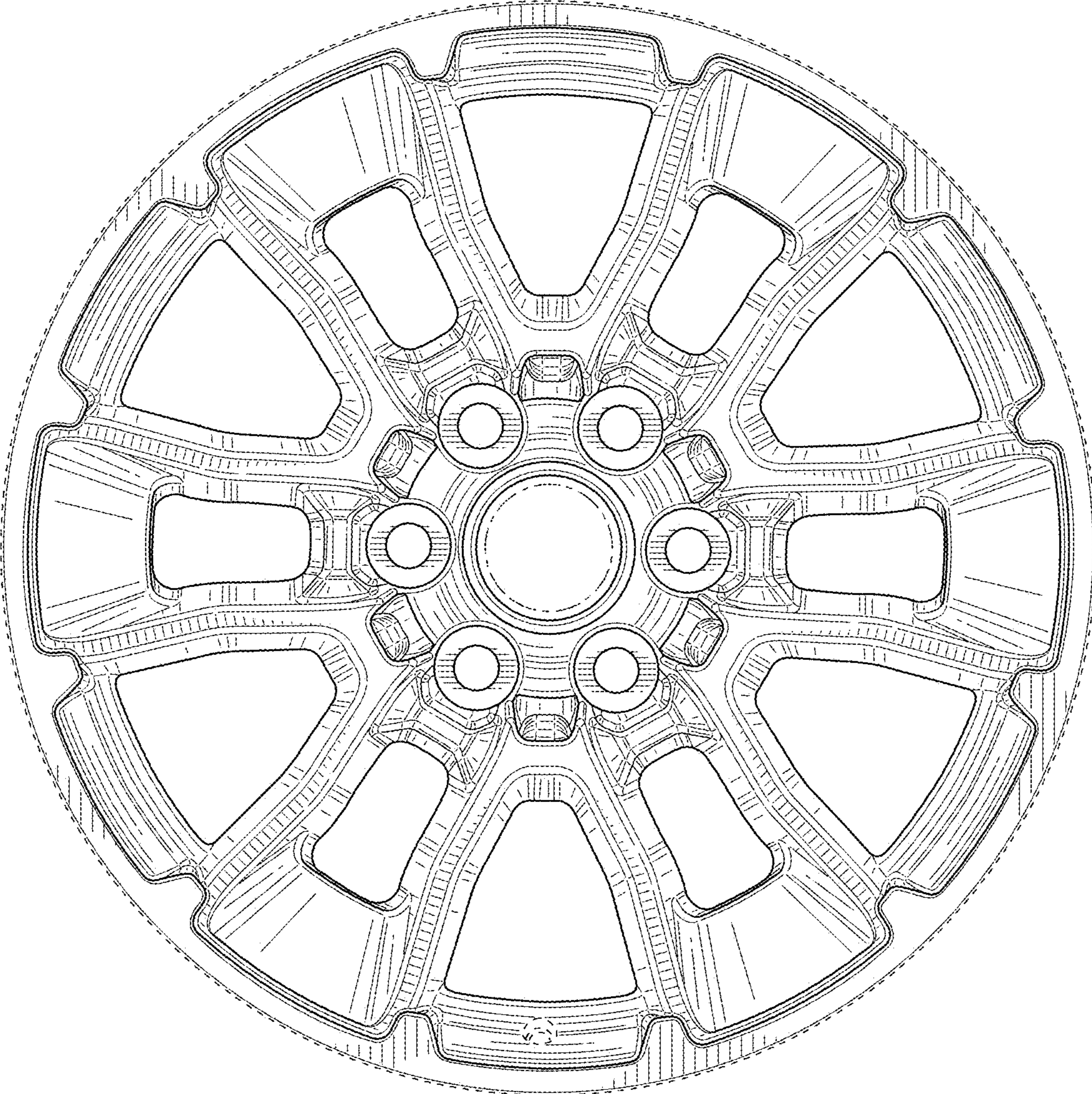


FIG. 3

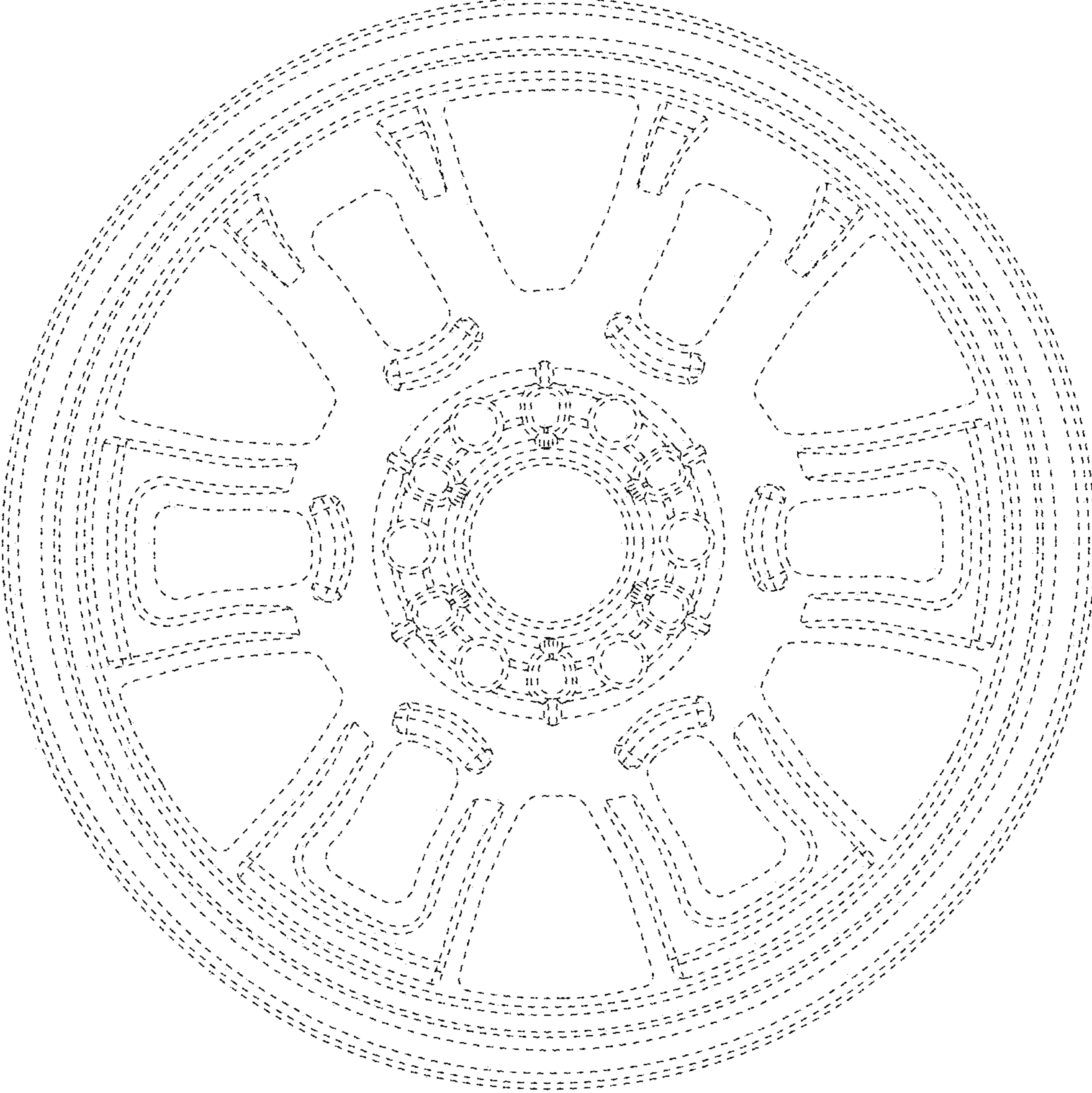


FIG. 4

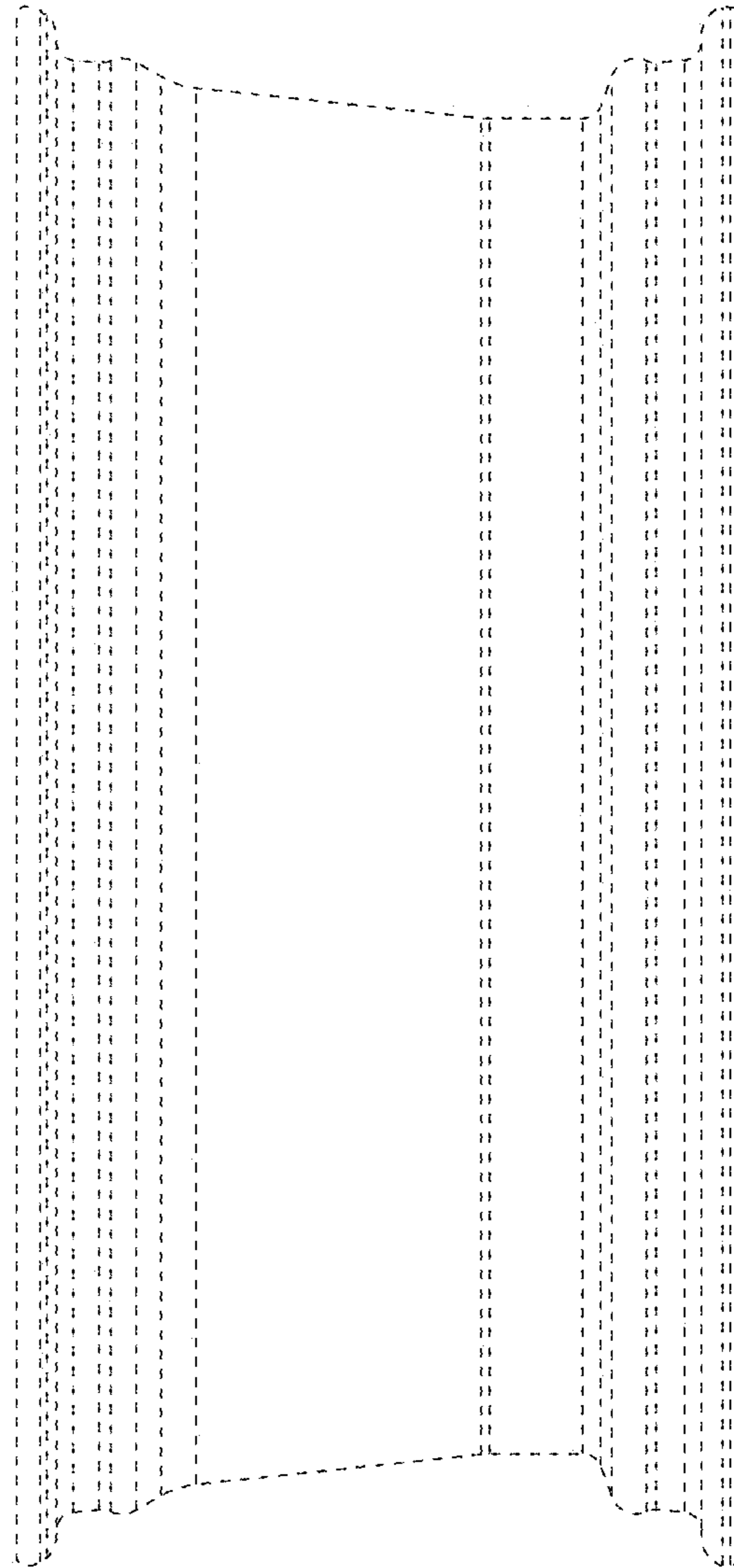


FIG. 5