



US00D977395S

(12) **United States Design Patent** (10) **Patent No.:** **US D977,395 S**
Price et al. (45) **Date of Patent:** **** Feb. 7, 2023**

(54) **VEHICLE FLOOR MAT**

(71) Applicant: **THERMOFLEX CORP.**, Waukegan, IL (US)

(72) Inventors: **Robert Price**, Mettawa, IL (US); **Jacob Price**, Winnetka, IL (US); **David Reband**, Antioch, IL (US)

(73) Assignee: **THERMOFLEX CORP.**, Waukegan, IL (US)

(**) Term: **15 Years**

(21) Appl. No.: **29/788,283**

(22) Filed: **Apr. 22, 2021**

(51) **LOC (14) Cl.** **12-16**

(52) **U.S. Cl.**

USPC **D12/203**

(58) **Field of Classification Search**

USPC D6/582–586, 592–594; D12/203, 221, D12/415, 419

CPC B60N 3/04

See application file for complete search history.

(56) **References Cited**

U.S. PATENT DOCUMENTS

D413,850 S *	9/1999	Wang	D12/203
D493,323 S *	7/2004	Juliano	D6/582
D525,576 S *	7/2006	Lu	D12/203
D542,203 S *	5/2007	Kraines	D12/203
D555,562 S *	11/2007	Iacovelli	D12/203
D608,709 S *	1/2010	Masanek, Jr.	D12/203
D622,648 S *	8/2010	Lu	D12/203
D680,932 S *	4/2013	Lu	D12/203

(Continued)

FOREIGN PATENT DOCUMENTS

CA 84922 * 10/1998

OTHER PUBLICATIONS

Amazon.com, Baselayer Cut to Fit Black 4 Piece, published Feb. 9, 2022[retrieved on Aug. 18, 2022]. Retrieved from the internet<https://

www.amazon.com/BaseLayer-Cut-Fit-Black-4-Piece/dp/B09S4HCSQG/ref=cm_cr_arp_d_product_top?ie=UTF8> (Year: 2022).*

(Continued)

Primary Examiner — Joseph Kukella

Assistant Examiner — Lavon M. Amerson

(74) *Attorney, Agent, or Firm* — Grossman, Tucker, Perreault & Pfleger, PLLC

(57) **CLAIM**

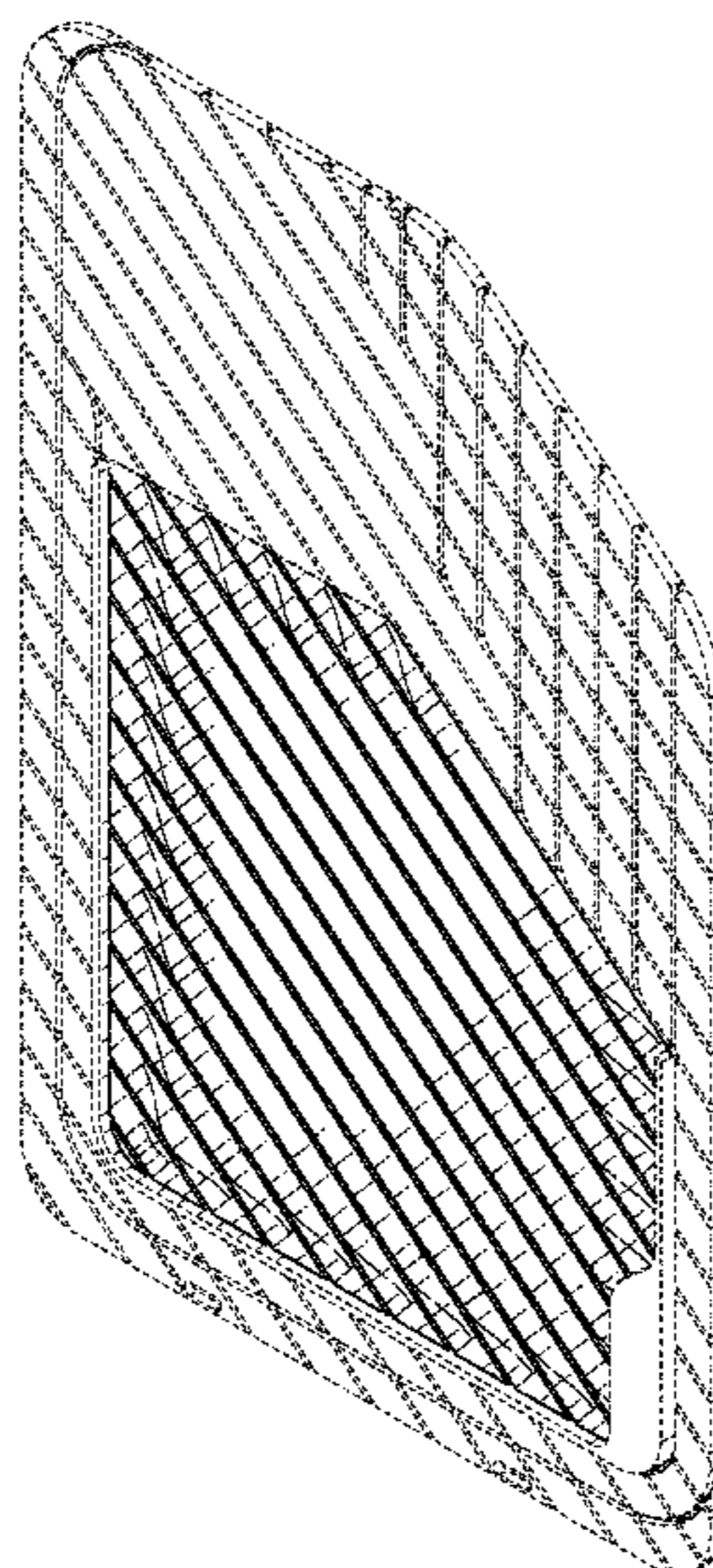
The ornamental design for a vehicle floor mat, as shown and described.

DESCRIPTION

FIG. 1 is a perspective view of the vehicle floor mat of an embodiment showing our new design;
 FIG. 2 is a top plan view thereof;
 FIG. 3 is a bottom plan view thereof;
 FIG. 4 is a left elevation view thereof;
 FIG. 5 is a right elevation view thereof;
 FIG. 6 is a front elevation view thereof;
 FIG. 7 is a rear elevation view thereof;
 FIG. 8 is a cross-sectional view taken along line 8-8 of FIG. 2;
 FIG. 9 is an enlarged cross-sectional view of FIG. 8 as bounded by circle 9;
 FIG. 10 is a cross-sectional view taken along line 10-10 of FIG. 2;
 FIG. 11 is an enlarged cross-sectional view of FIG. 10 as bounded by circle 11;
 FIG. 12 is a cross-sectional view taken along line 12-12 of FIG. 2; and,
 FIG. 13 is an enlarged cross-sectional view of FIG. 12 as bounded by circle 13.

The broken lines shown in FIGS. 1-13 are included to show portions of the vehicle floor mat that form no part of the claimed design.

1 Claim, 9 Drawing Sheets



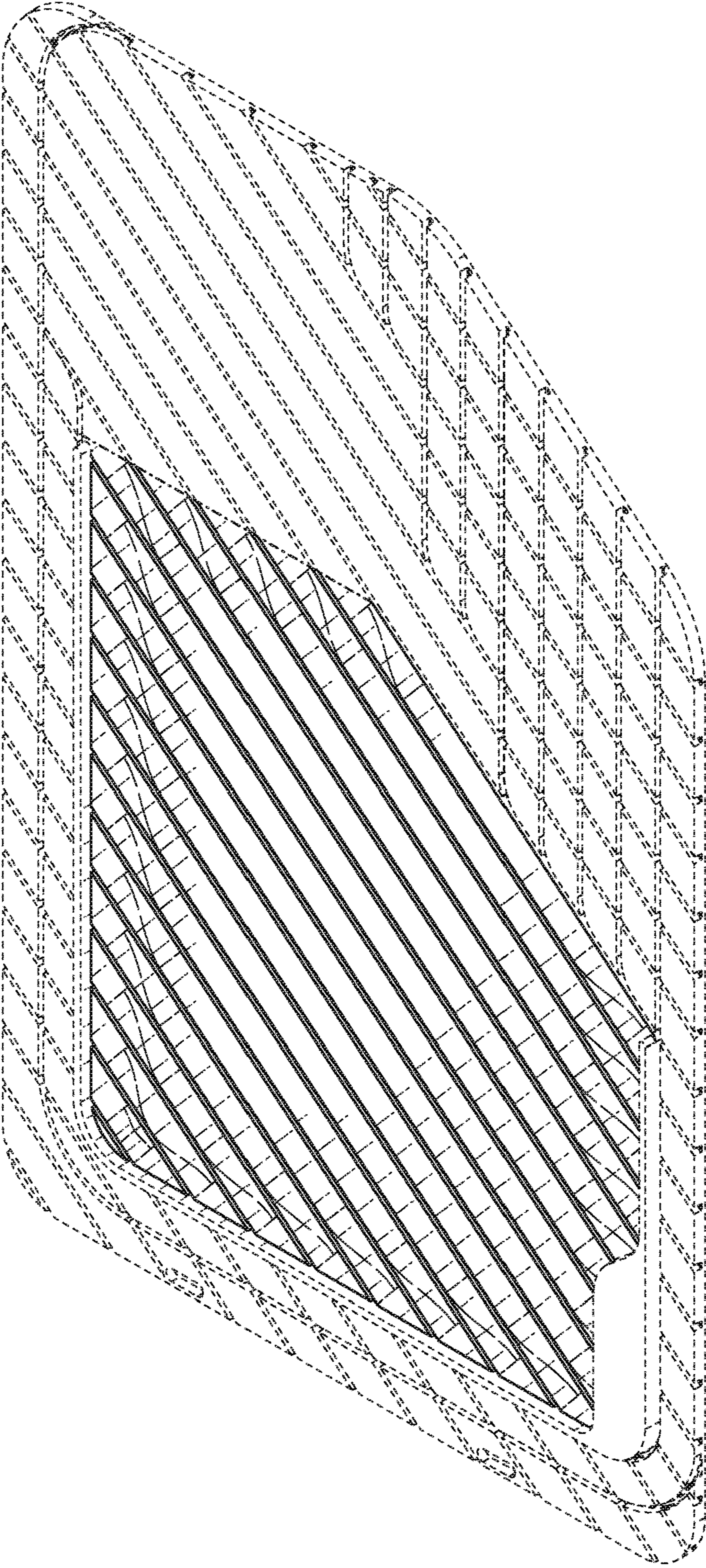


FIG. 1

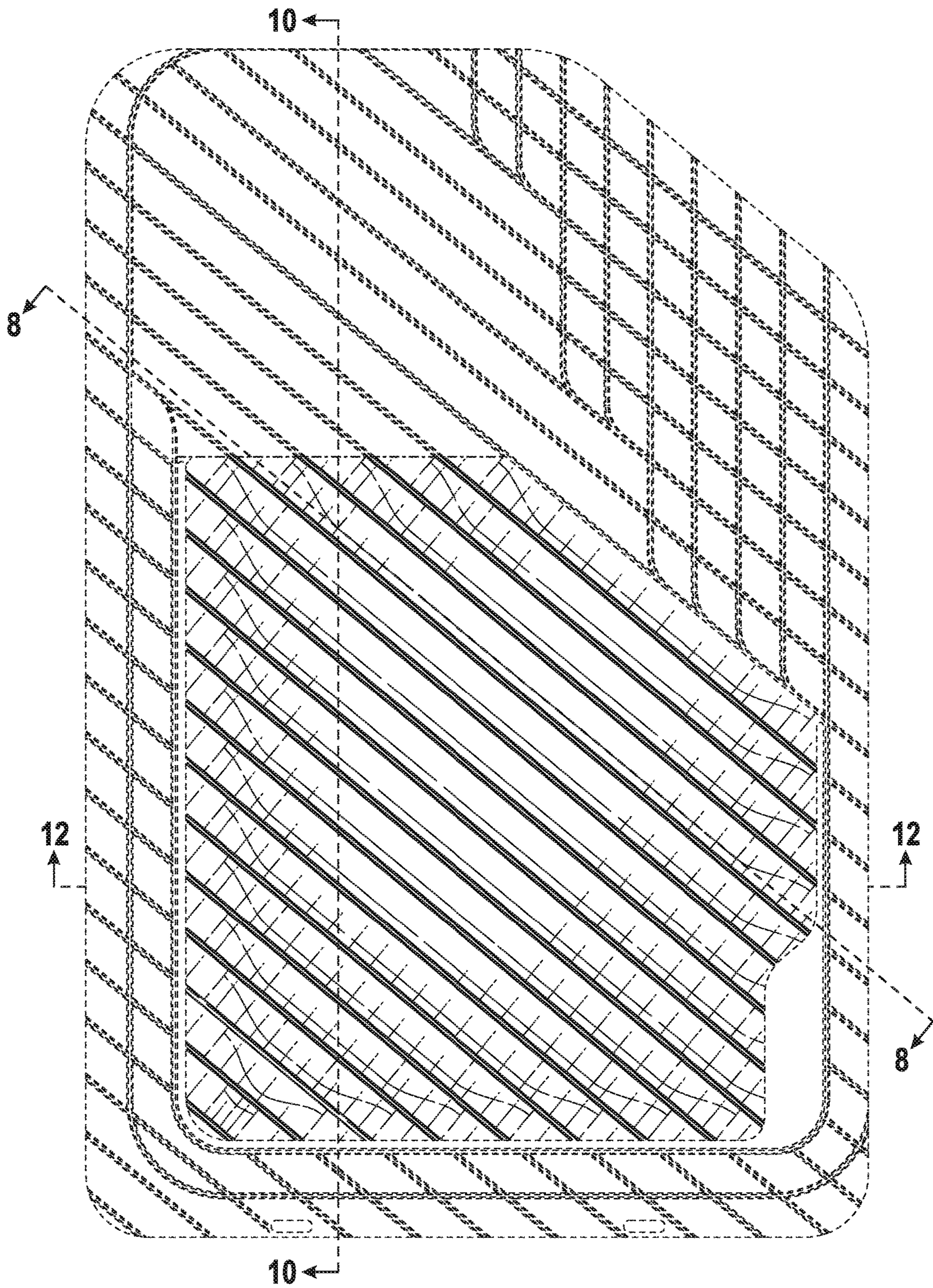


FIG. 2

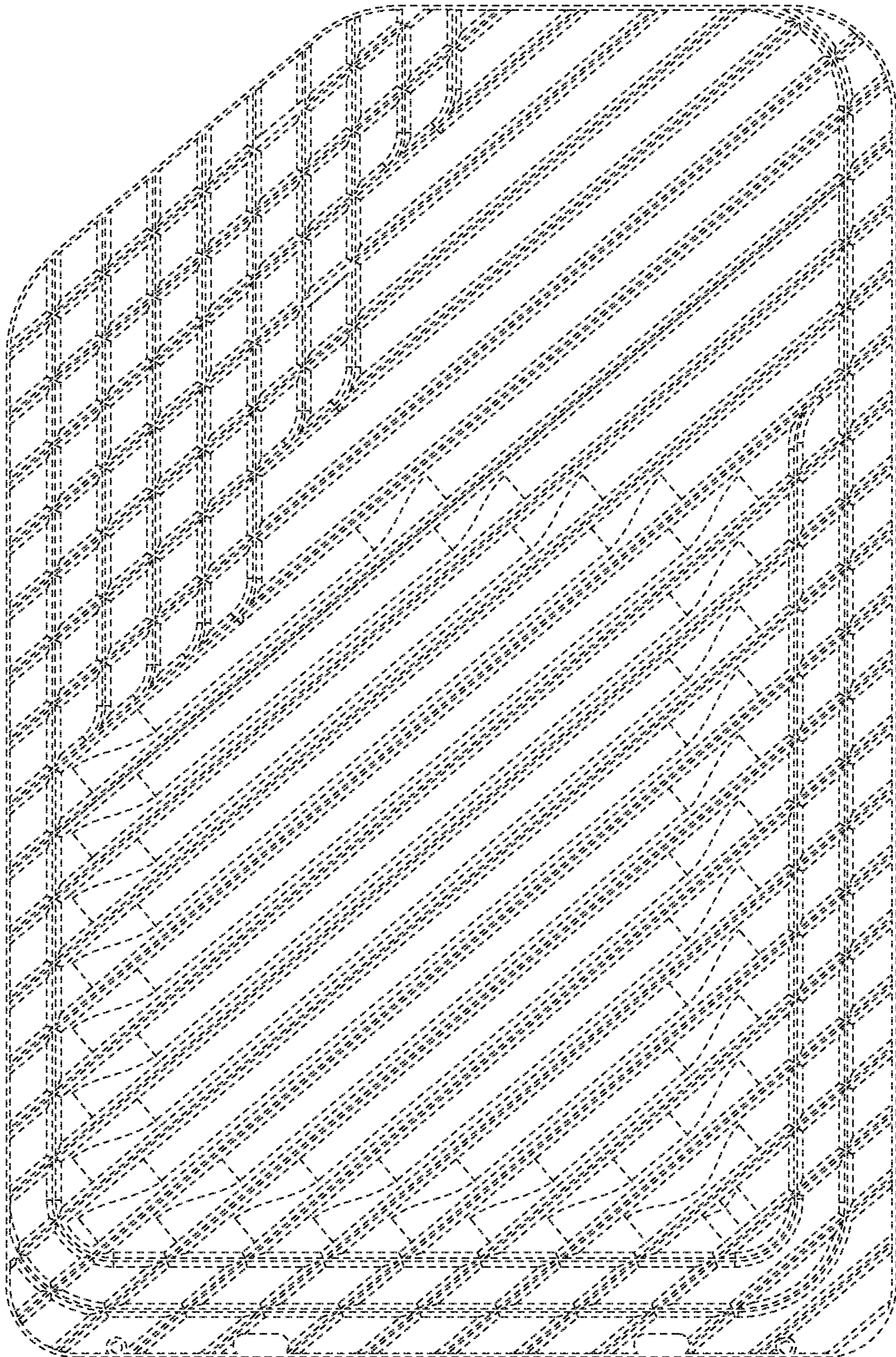


FIG. 3



FIG. 4



FIG. 5

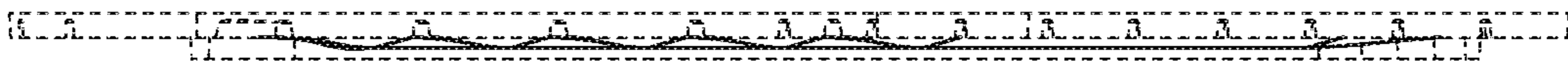


FIG. 6

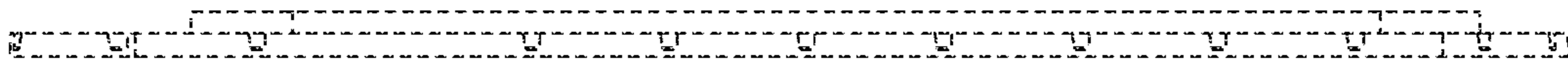


FIG. 7

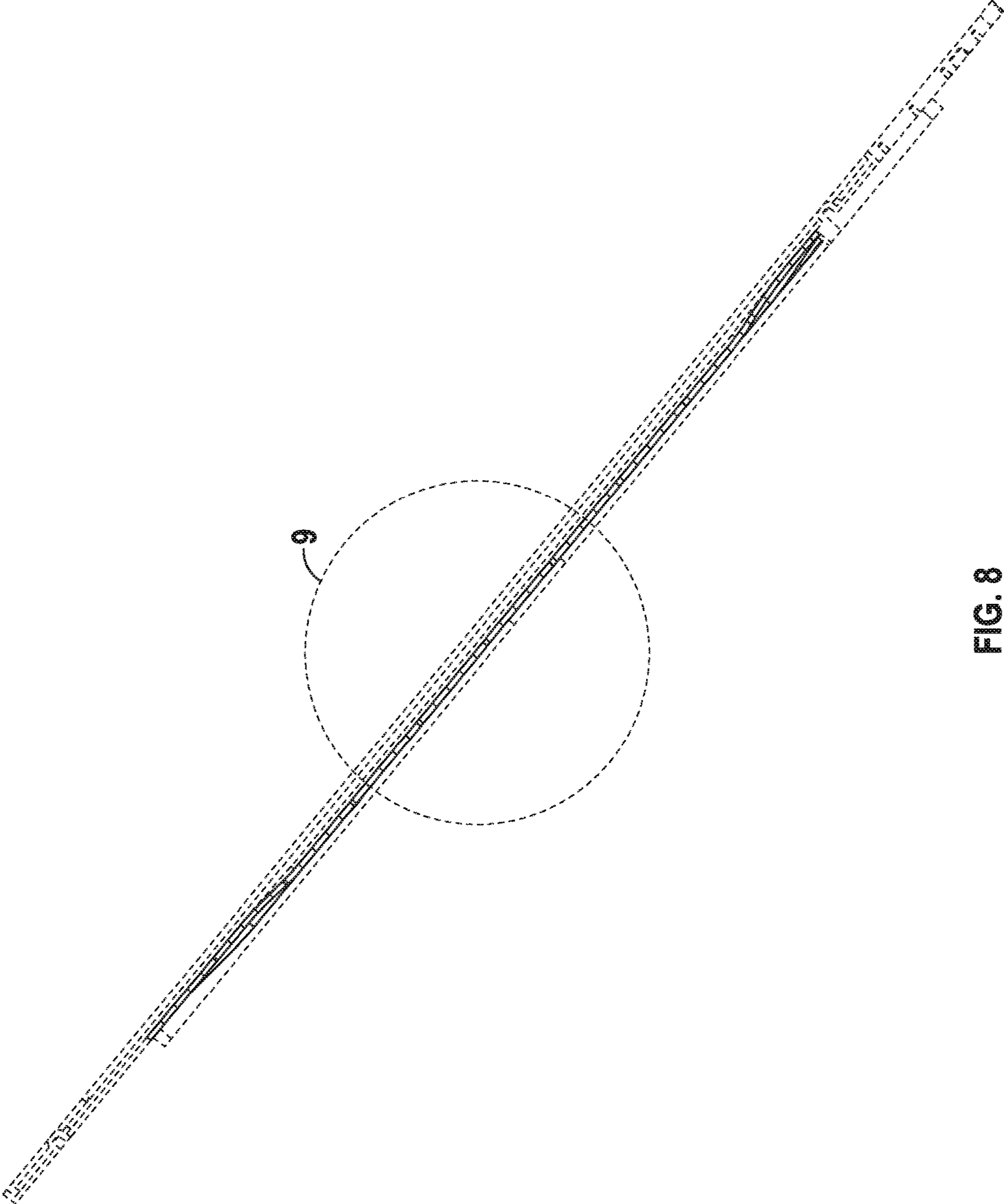


FIG. 8

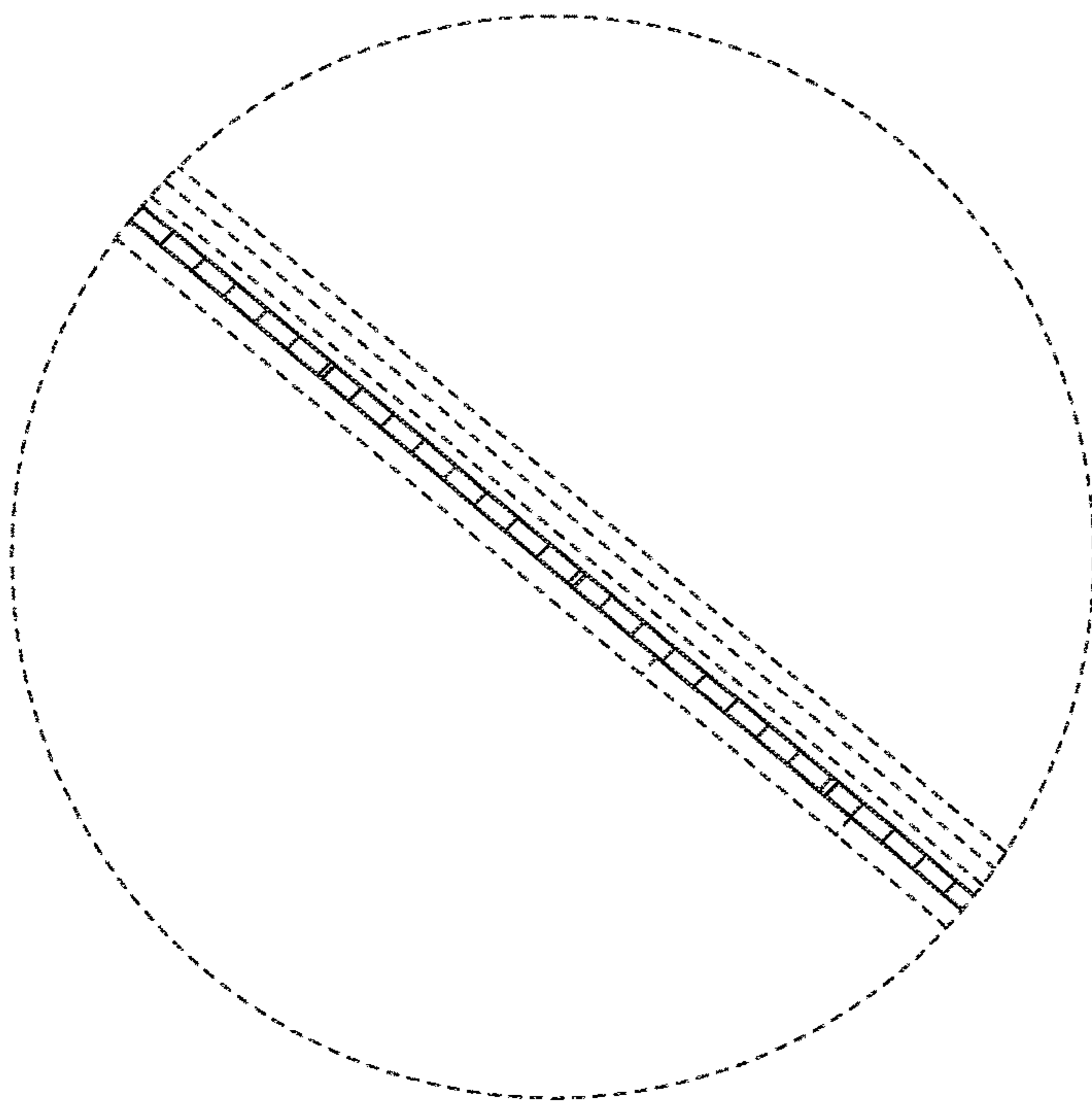


FIG. 9

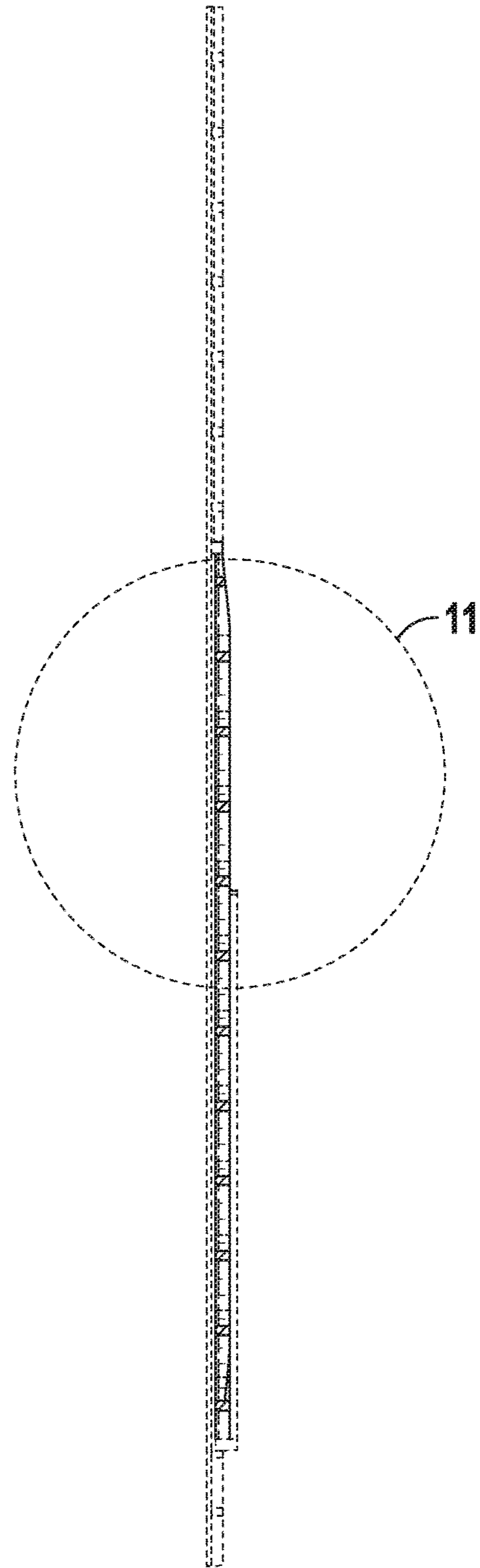


FIG. 10

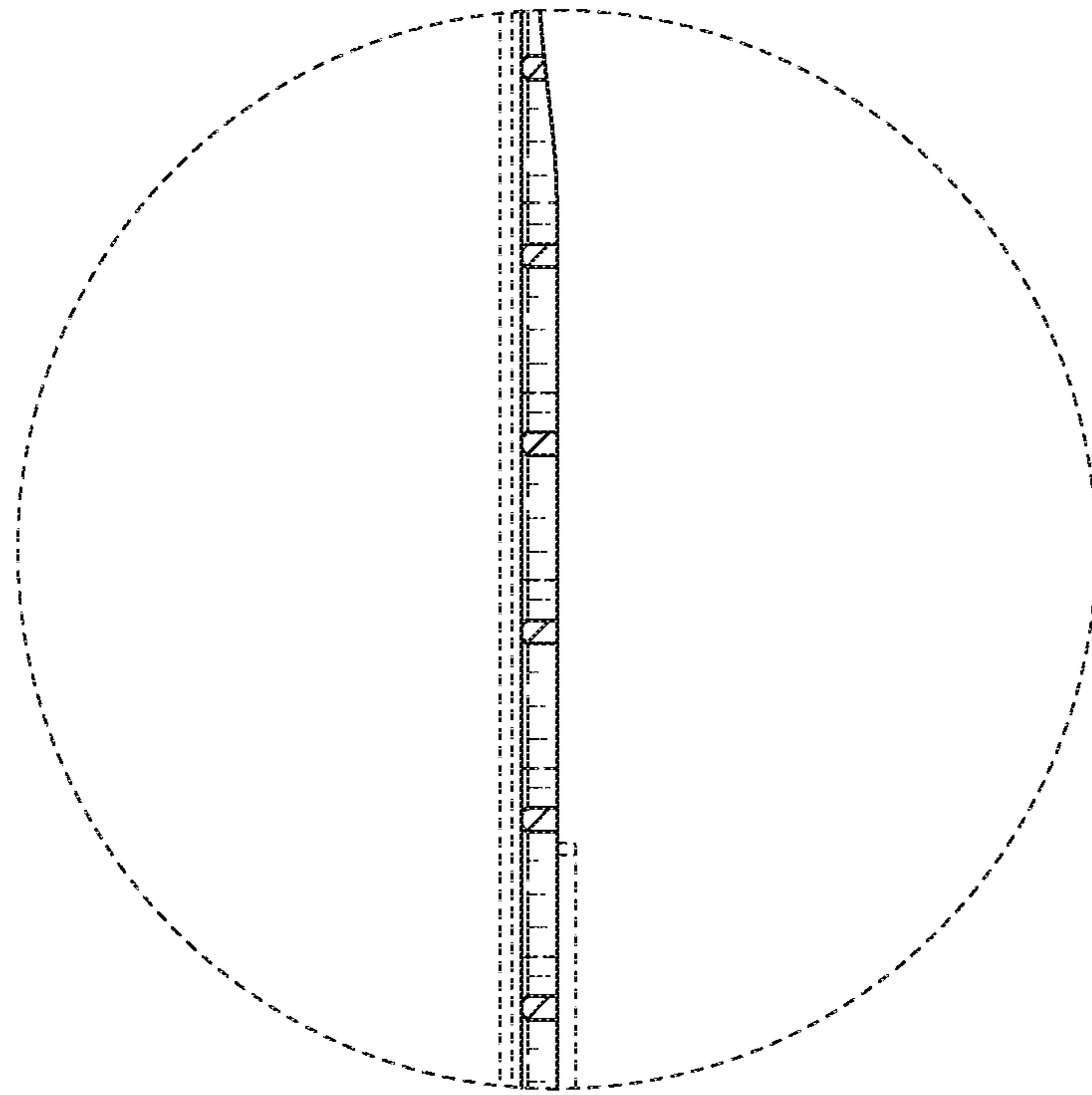


FIG. 11

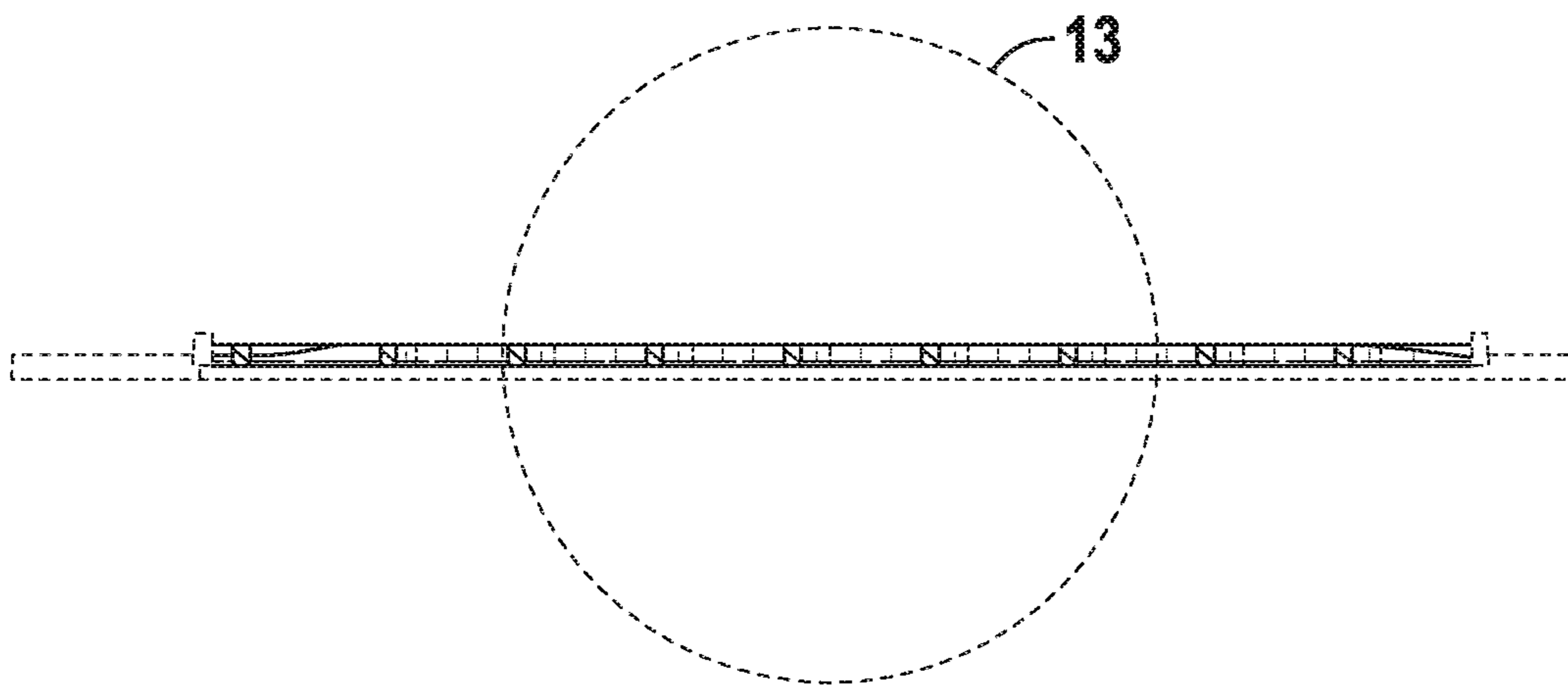


FIG. 12

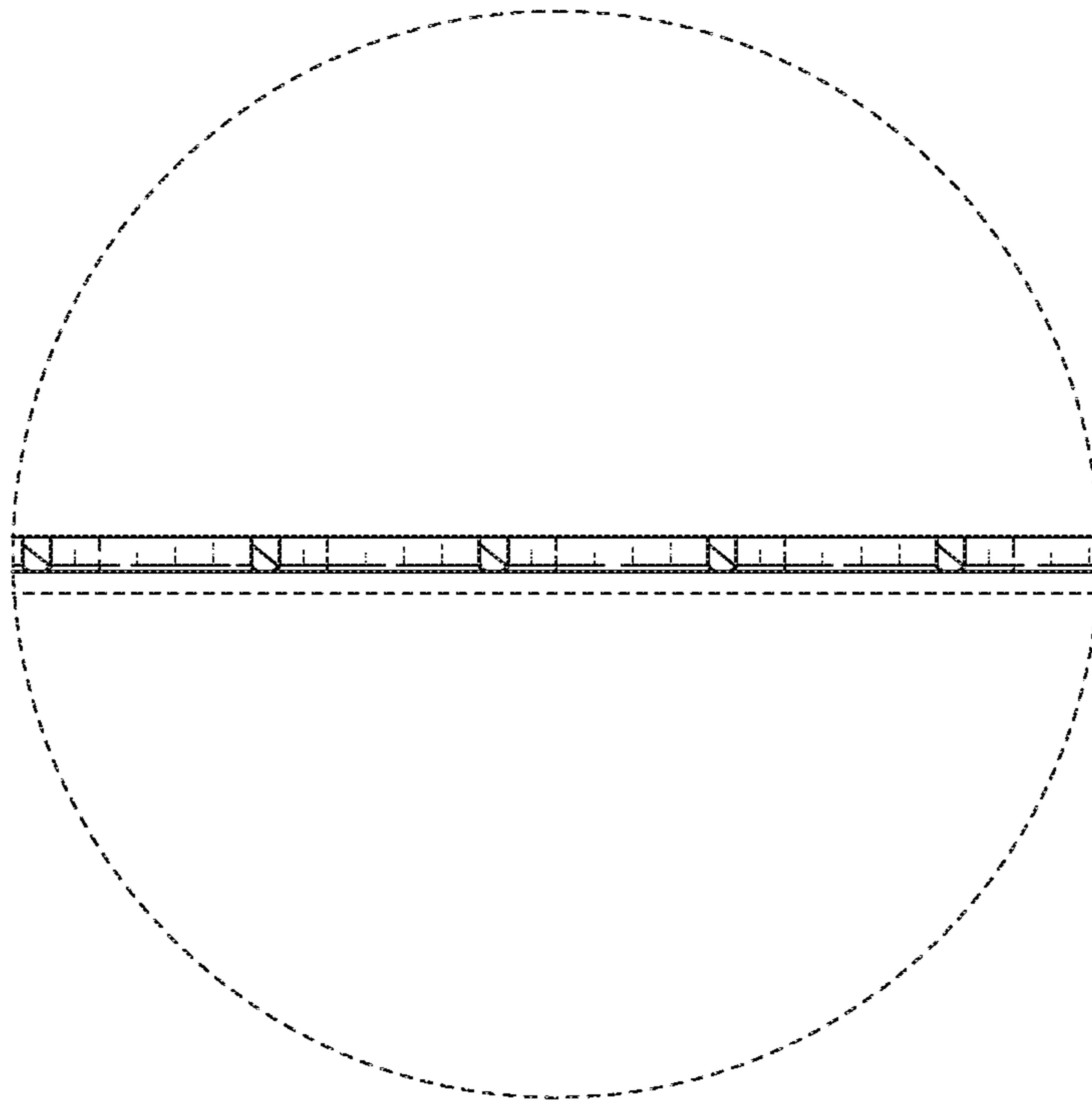


FIG. 13