



US00D977391S

(12) **United States Design Patent** (10) **Patent No.:** **US D977,391 S**
Auerbach et al. (45) **Date of Patent:** **** Feb. 7, 2023**

(54) **TRUCK**
(71) Applicant: **International Truck Intellectual Property Company, LLC**, Lisle, IL (US)
(72) Inventors: **Mitchell E. Auerbach**, Plainfield, IL (US); **Chris Ito**, Sugar Grove, IL (US); **Glen Durmisevich**, Rochester Hills, MI (US); **Tak Lee**, Naperville, IL (US); **David Olsen**, Batavia, IL (US); **Rudy Gonzalez**, Wheaton, IL (US); **Jaimi Smith**, Batavia, IL (US)
(73) Assignee: **International Truck Intellectual Property Company, LLC**, Lisle, IL (US)
(**) Term: **15 Years**
(21) Appl. No.: **29/786,568**
(22) Filed: **Jun. 1, 2021**
(51) **LOC (14) Cl.** **12-16**
(52) **U.S. Cl.**
USPC **D12/196**
(58) **Field of Classification Search**
USPC D12/86, 90, 91, 92, 163, 169, 171, 181, D12/184, 196
CPC B60R 19/52; B60K 11/08; B62B 9/16; B62D 25/08
See application file for complete search history.

D860,056 S * 9/2019 Von Holzhausen D12/96
D870,597 S * 12/2019 Kirzinger D12/96
D898,777 S * 10/2020 Lorenz D15/10
D908,044 S * 1/2021 Wagers D12/96
D912,578 S * 3/2021 Egger D12/96
D923,518 S * 6/2021 Lian D12/93
D931,949 S * 9/2021 Chen D12/96
D933,532 S * 10/2021 Kupitza D12/93
D945,327 S * 3/2022 Willison D12/99

OTHER PUBLICATIONS

Truck Grilles. (Design—© Questel) orbit.com. [Online PDF compilation of references] 80 pgs. Print Dates Range May 25, 2021-Dec. 31, 1998 [Retrieved Aug. 18, 2022].*
International Truck EMV Brochure. 2021. Rush Truck Centers. <https://www.rushtruckcenters.com/~media/Files/Trucks/Electric/International%20eMV%20Series%20Brochure.ashx>.*
EMV Series International Trucks. 2022. International Trucks. <https://www.internationaltrucks.com/trucks/emv-series>.*
Navistar launches electric International eMV Series. Sep. 1, 2021. Fleet Equipment Mag. <https://www.fleetequipmentmag.com/navistar-launches-electric-international-emv-series/>.*

* cited by examiner

Primary Examiner — George D. Kirschbaum
Assistant Examiner — Suzanne E Tisdell
(74) *Attorney, Agent, or Firm* — Mark C. Bach

(57) **CLAIM**

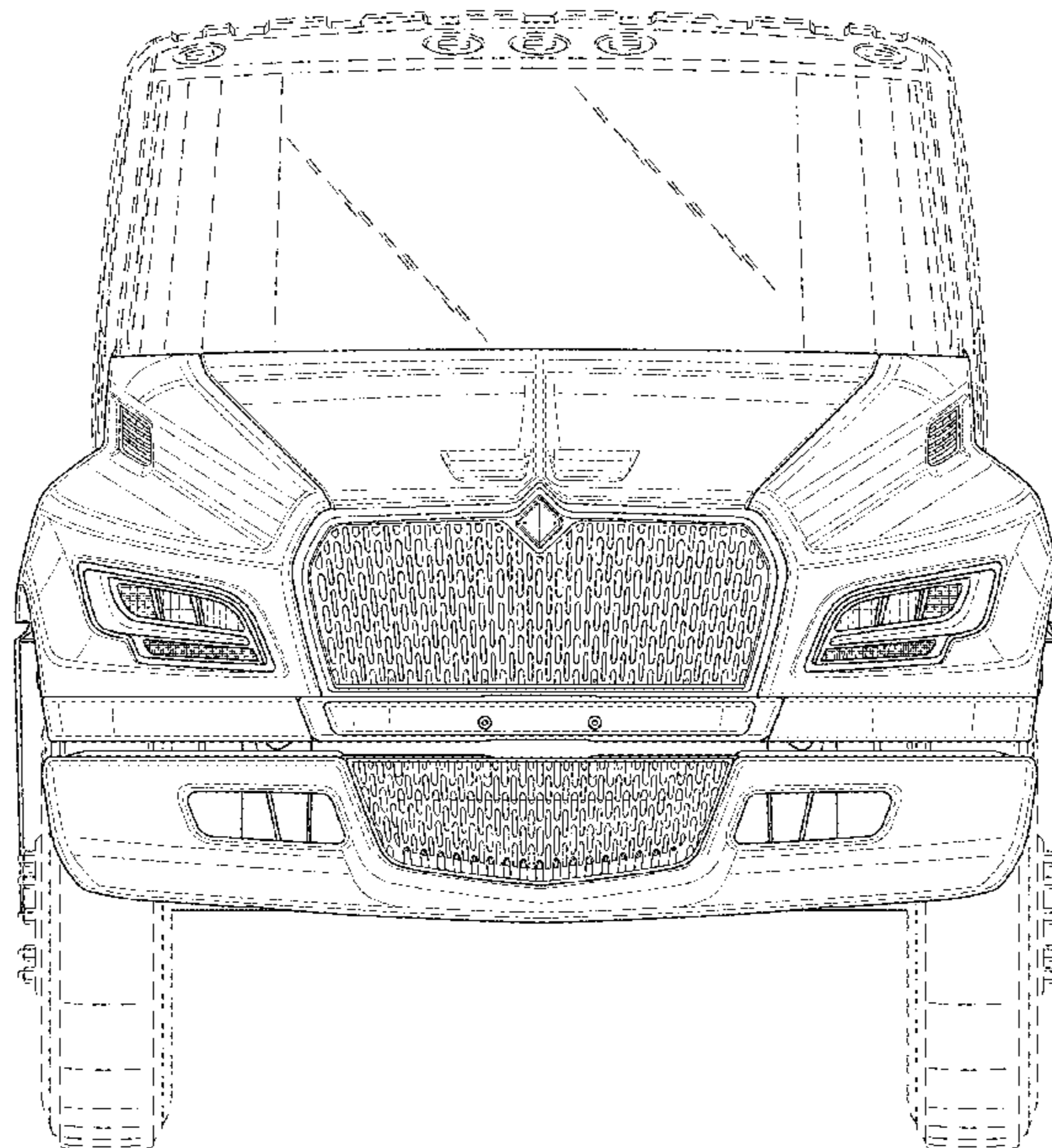
The ornamental design for a truck, as shown and described.

DESCRIPTION

FIG. 1 is a front view of the truck;
FIG. 2 is a left side view of the truck of FIG. 1;
FIG. 3 is a right side view of the truck of FIG. 1;
FIG. 4 is a top view of the truck of FIG. 1; and,
FIG. 5 is a perspective view of the truck of FIG. 1.

1 Claim, 5 Drawing Sheets

(56) **References Cited**
U.S. PATENT DOCUMENTS
D828,226 S * 9/2018 Cotner D12/96
D837,110 S * 1/2019 Ito D12/173
D850,330 S * 6/2019 Olsen D12/163
D859,218 S * 9/2019 Satou D12/96



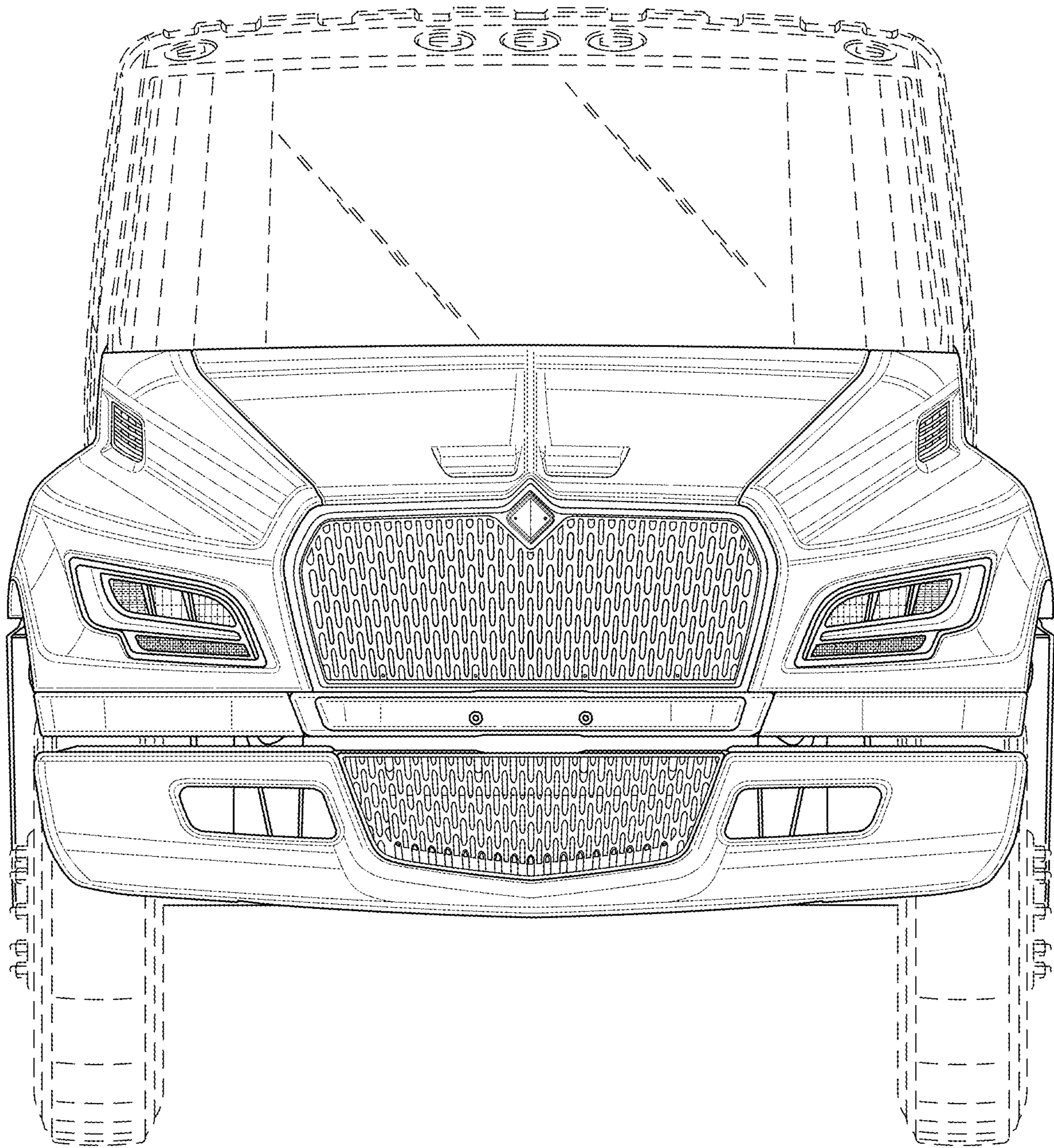


FIG.1

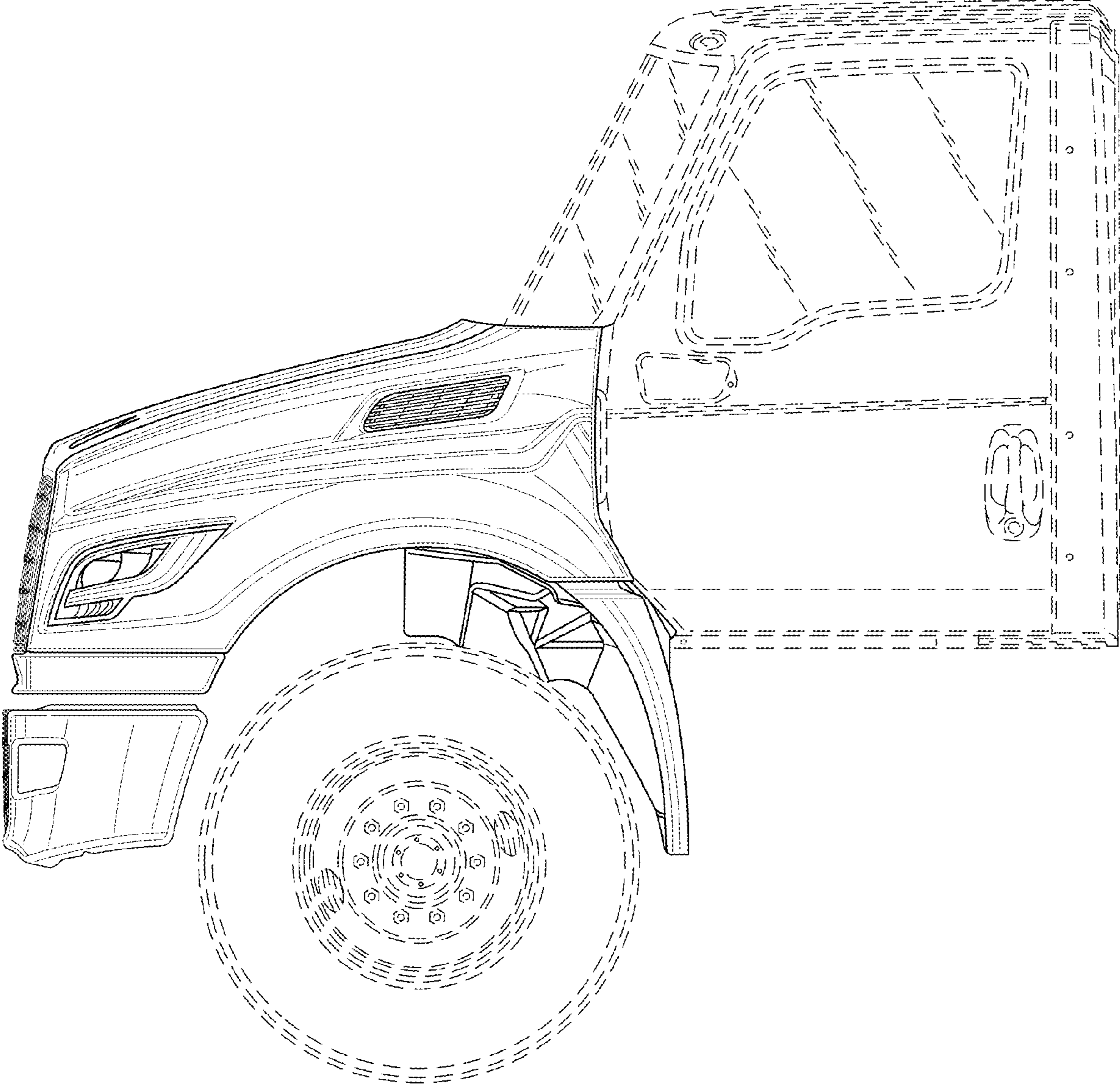


FIG.2

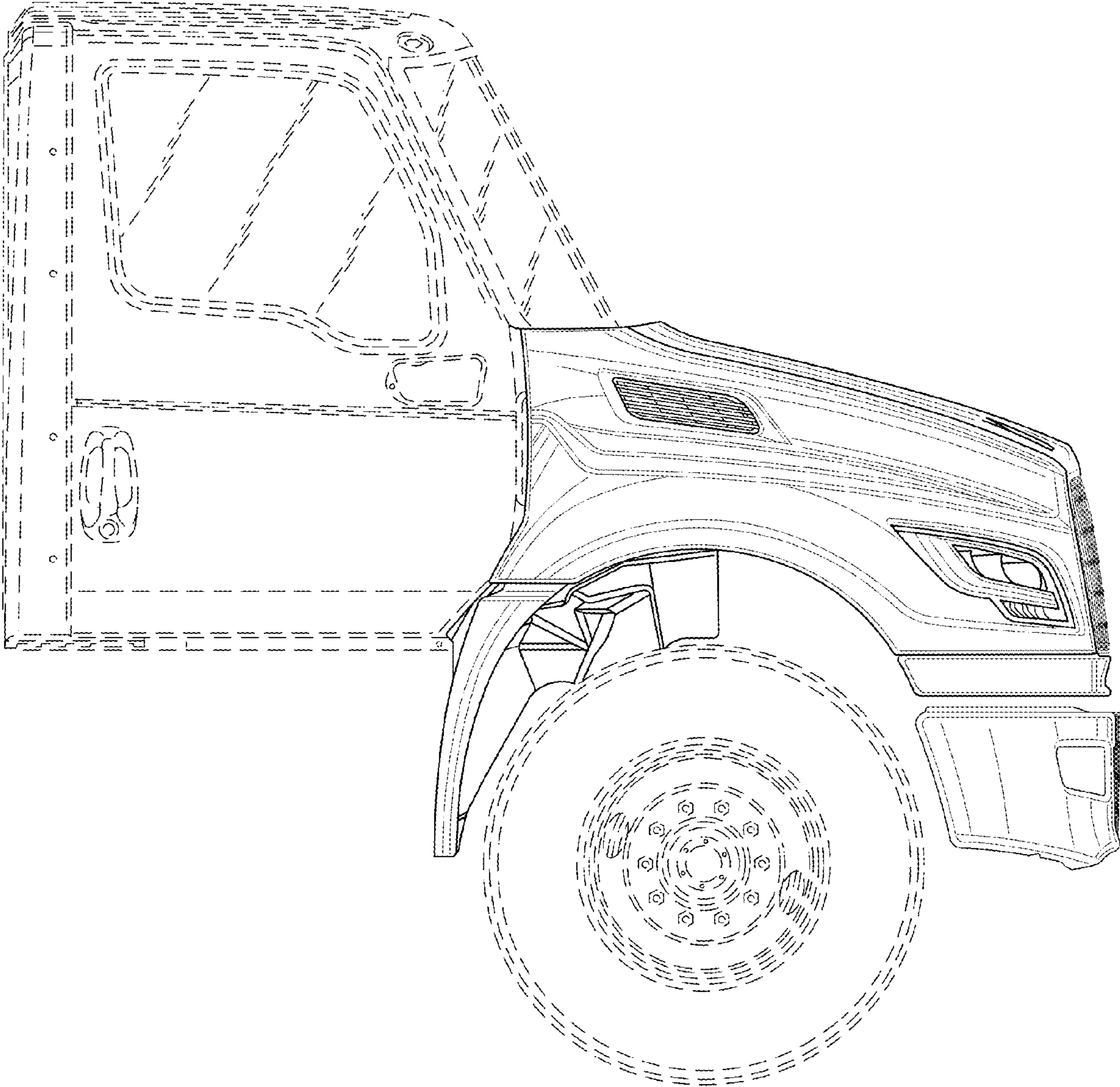


FIG.3

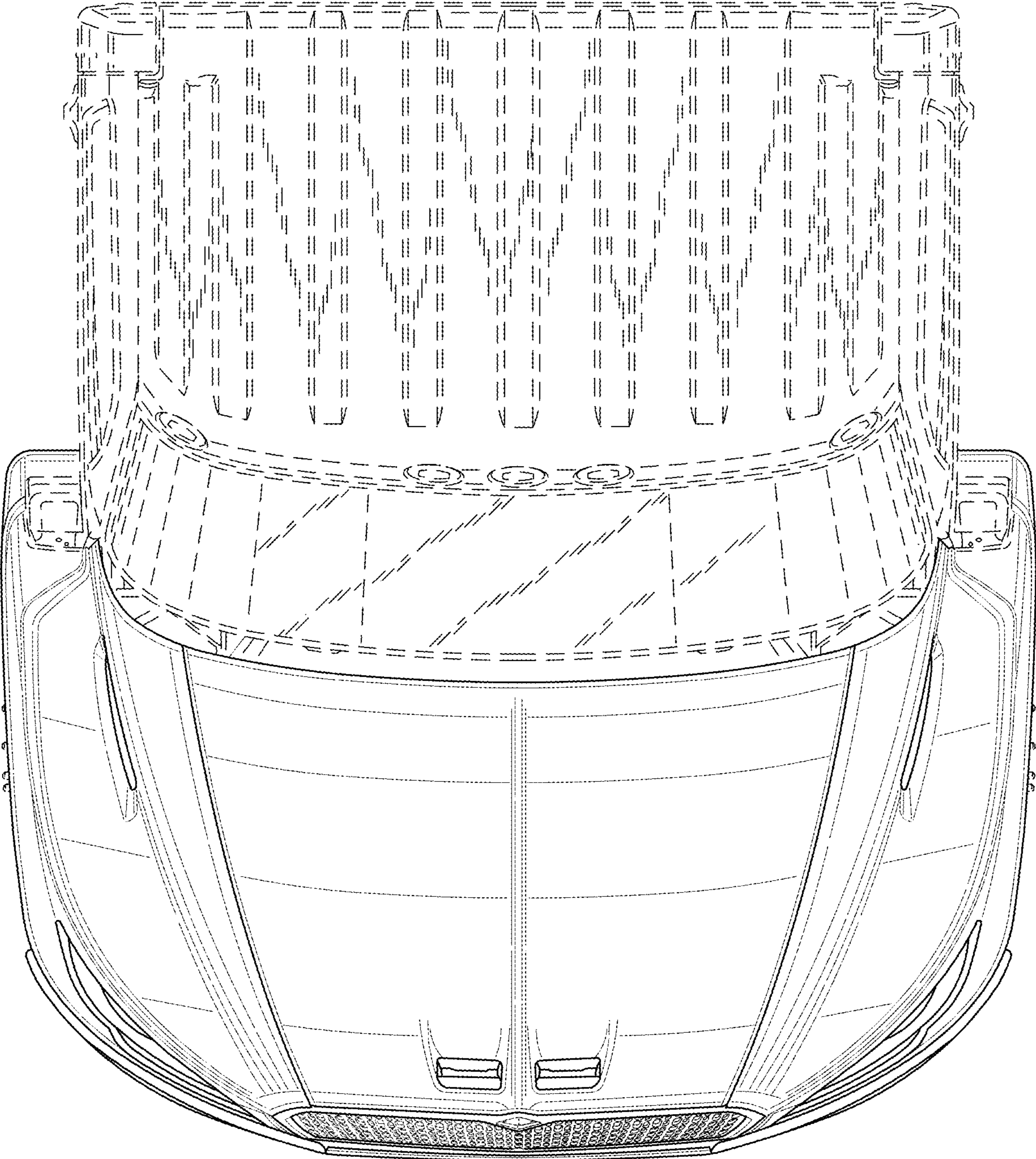


FIG.4

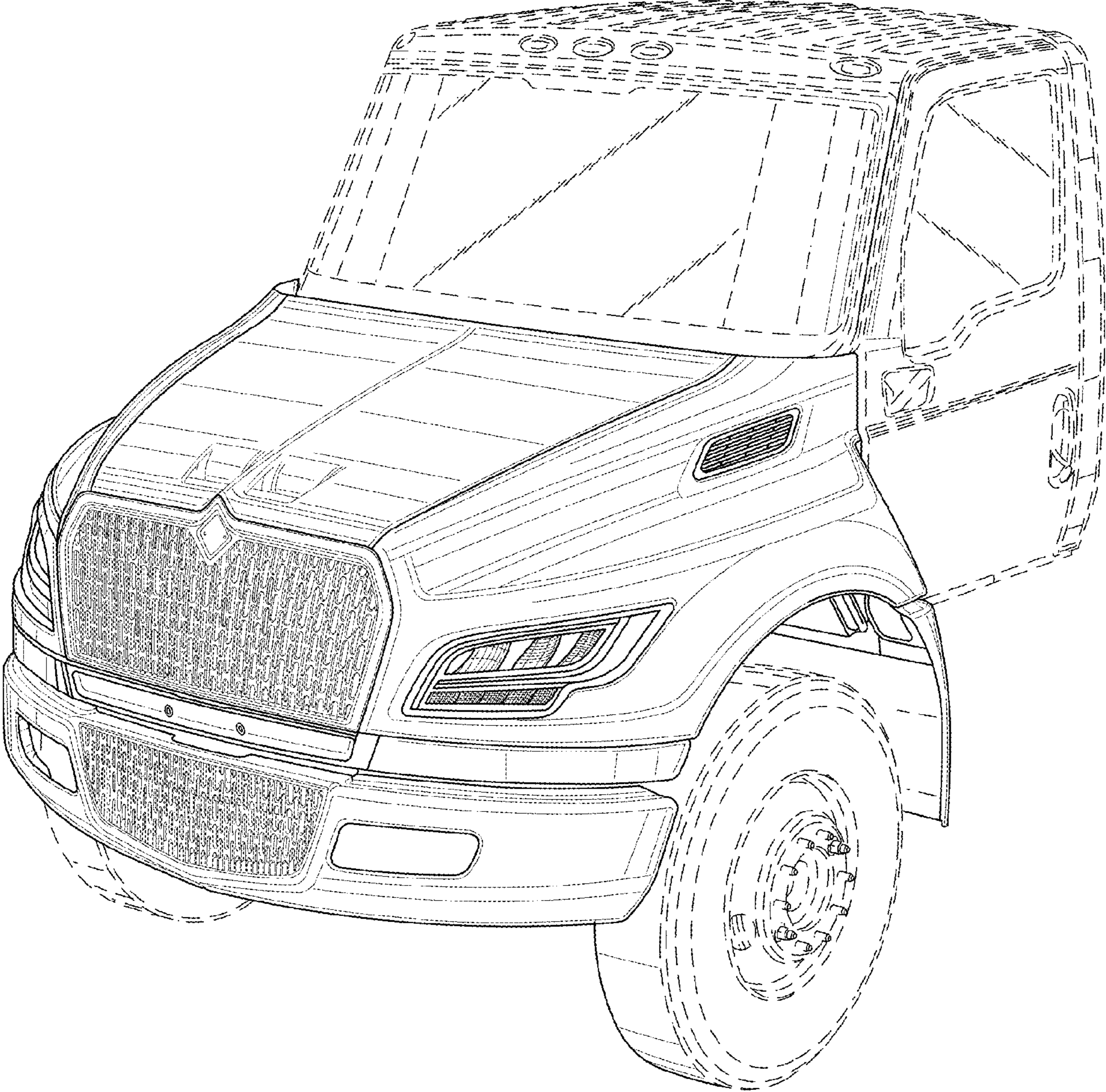


FIG.5