



US00D977390S

(12) **United States Design Patent** (10) **Patent No.:** **US D977,390 S**
Kim et al. (45) **Date of Patent:** **** Feb. 7, 2023**

(54) **REAR BUMPER LOWER COVER FOR AUTOMOBILE**

(71) Applicants: **Hyundai Motor Company**, Seoul (KR); **Kia Corporation**, Seoul (KR)

(72) Inventors: **Seon-Min Kim**, Gyeonggi-do (KR); **Jung-Taik Hur**, Gyeonggi-do (KR)

(73) Assignees: **Hyundai Motor Company**, Seoul (KR); **Kia Corporation**, Seoul (KR)

(**) Term: **15 Years**

(21) Appl. No.: **29/786,332**

(22) Filed: **May 31, 2021**

(30) **Foreign Application Priority Data**

Feb. 5, 2021 (KR) 30-2021-0006127

(51) **LOC (14) Cl.** **12-16**

(52) **U.S. Cl.**
USPC **D12/196**

(58) **Field of Classification Search**
USPC D12/86, 90, 91, 92, 163, 169, 171, 196, D12/216
CPC B60D 1/488; B62D 25/2072; B62D 25/08; B60R 19/02; B60R 19/04; B60R 19/12; B60R 19/52; B60K 11/08
See application file for complete search history.

(56) **References Cited**

U.S. PATENT DOCUMENTS

D857,575 S * 8/2019 Harriton D12/196
D858,395 S * 9/2019 Harriton D12/196
D867,232 S * 11/2019 Izard D12/169
D877,014 S * 3/2020 Harriton D12/196
D892,003 S * 8/2020 Zipfel D12/169
D894,809 S * 9/2020 Chi D12/196
D899,989 S * 10/2020 Chi D12/196

D902,817 S * 11/2020 Choi D12/196
D902,818 S * 11/2020 Choi D12/196
D903,567 S * 12/2020 Choi D12/196
D920,203 S * 5/2021 Choi D12/196
D928,679 S * 8/2021 Liang D12/196
D960,061 S * 8/2022 Langhals D12/196

OTHER PUBLICATIONS

Skid Plates. (Design—© Questel) orbit.com. [Online PDF compilation of references] 22 pgs. Print Dates Range Oct. 18, 2021-Apr. 13, 2018 [Retrieved Sep. 19, 2022].*
Fits 15-22 Dodge Charger. 2015. eBay. <https://www.ebay.com/itm/292882787973>.*

(Continued)

Primary Examiner — George D. Kirschbaum
Assistant Examiner — Suzanne E Tisdell
(74) *Attorney, Agent, or Firm* — Fox Rothschild LLP

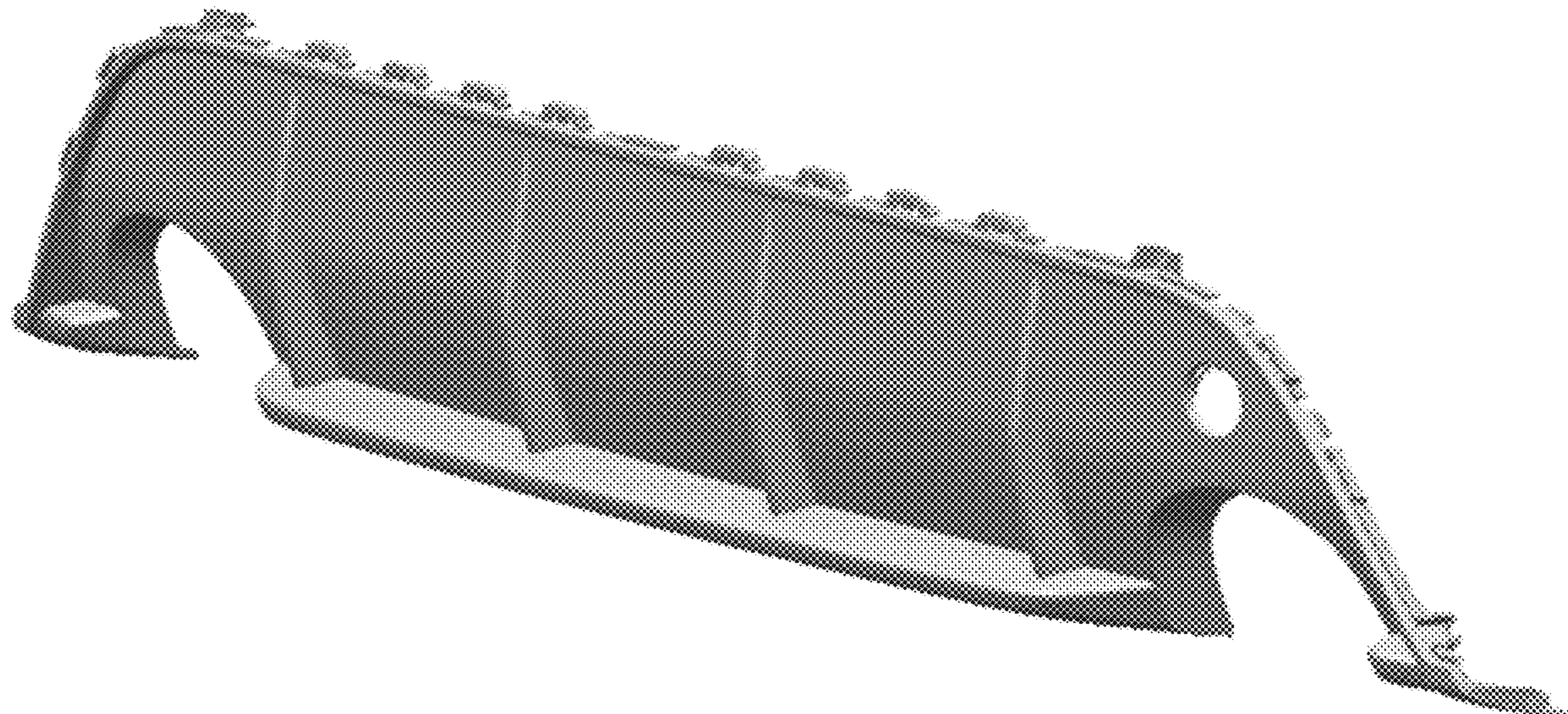
(57) **CLAIM**

The ornamental design for a rear bumper lower cover for automobile, as shown and described.

DESCRIPTION

FIG. 1 is a perspective view of a rear bumper lower cover for automobile according to the present invention.
FIG. 2 is a front view of the rear bumper lower cover for automobile of FIG. 1.
FIG. 3 is a rear view of the rear bumper lower cover for automobile of FIG. 1.
FIG. 4 is a left side view of the rear bumper lower cover for automobile of FIG. 1.
FIG. 5 is a right side view of the rear bumper lower cover for automobile of FIG. 1.
FIG. 6 is a top view of the rear bumper lower cover for automobile of FIG. 1; and,
FIG. 7 is a bottom view of the rear bumper lower cover for automobile of FIG. 1.

1 Claim, 7 Drawing Sheets



(56)

References Cited

OTHER PUBLICATIONS

CarbonMiata Rear Diffuser. 2006. Top Miata. <https://www.topmiata.com/product/carbonmiata-rear-diffuser-center-exhaust/>.*

Future Design carbon rear Diffuser. 2022. Future Design. <https://fd-styles.com/products/taycan-future-design-carbon-rear-diffuser/>.*

* cited by examiner

FIG. 1

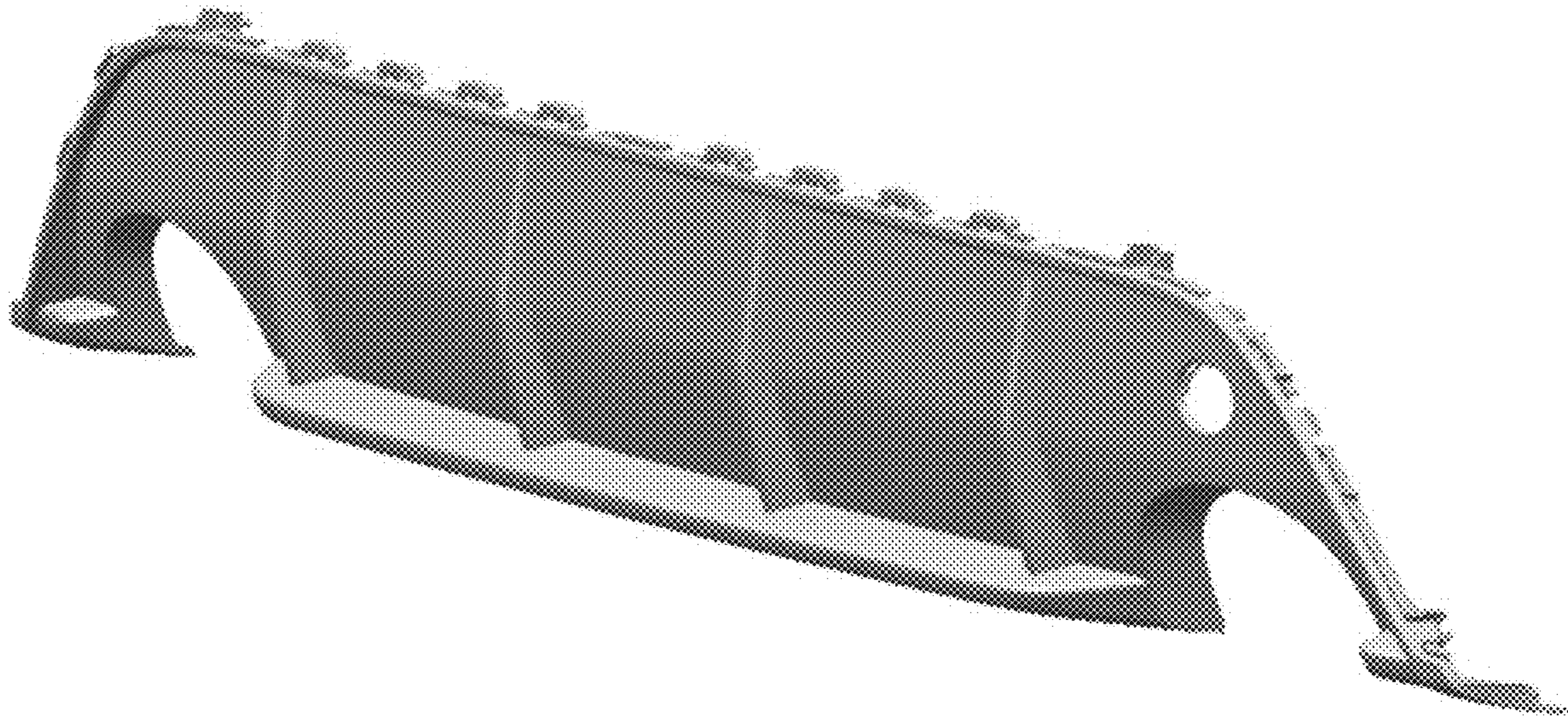


FIG. 2

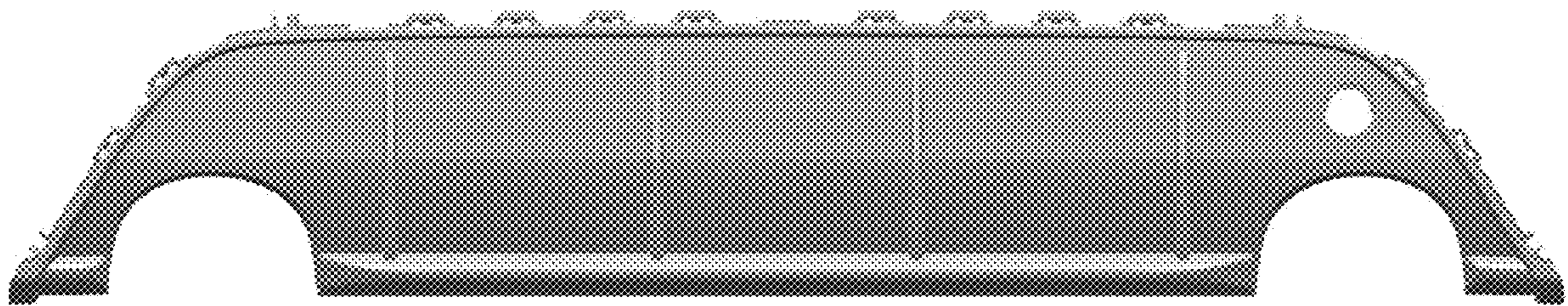


FIG. 3

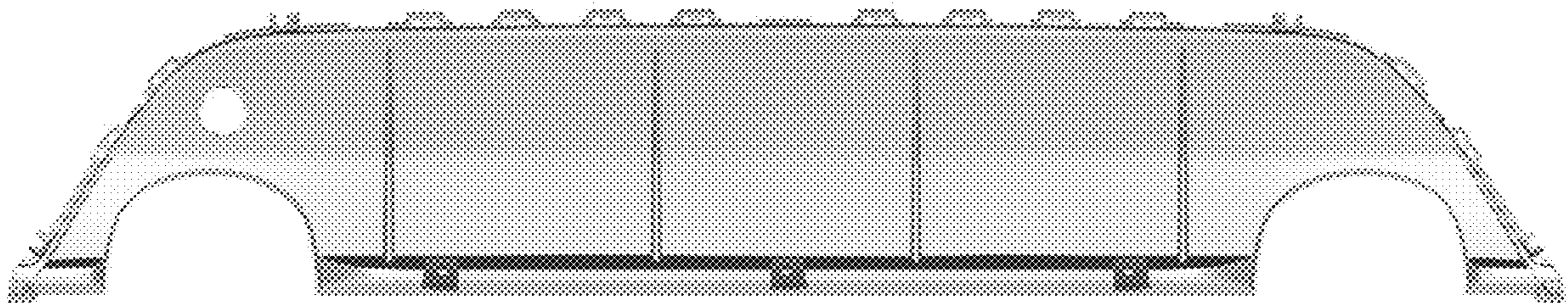


FIG. 4

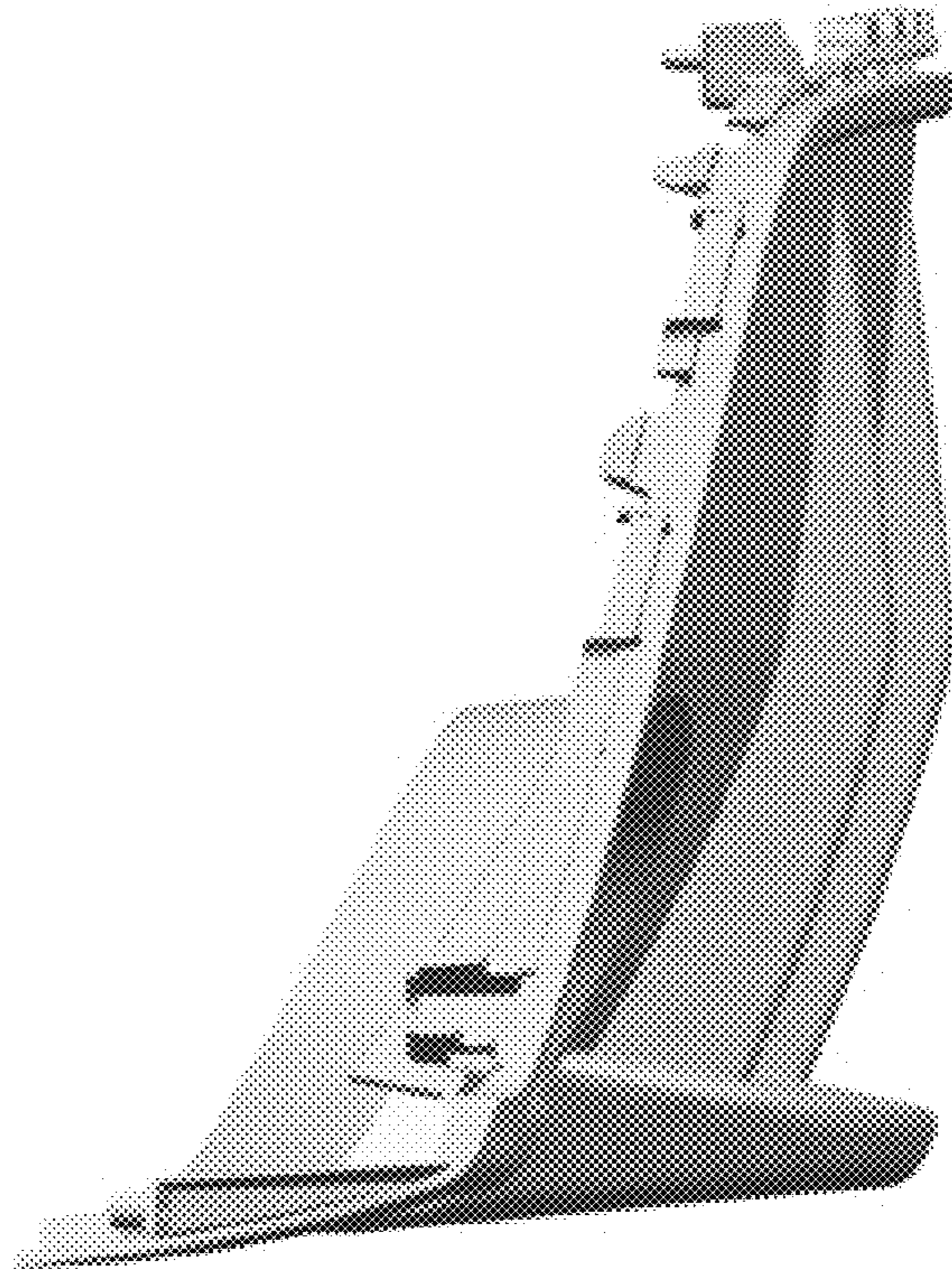


FIG. 5

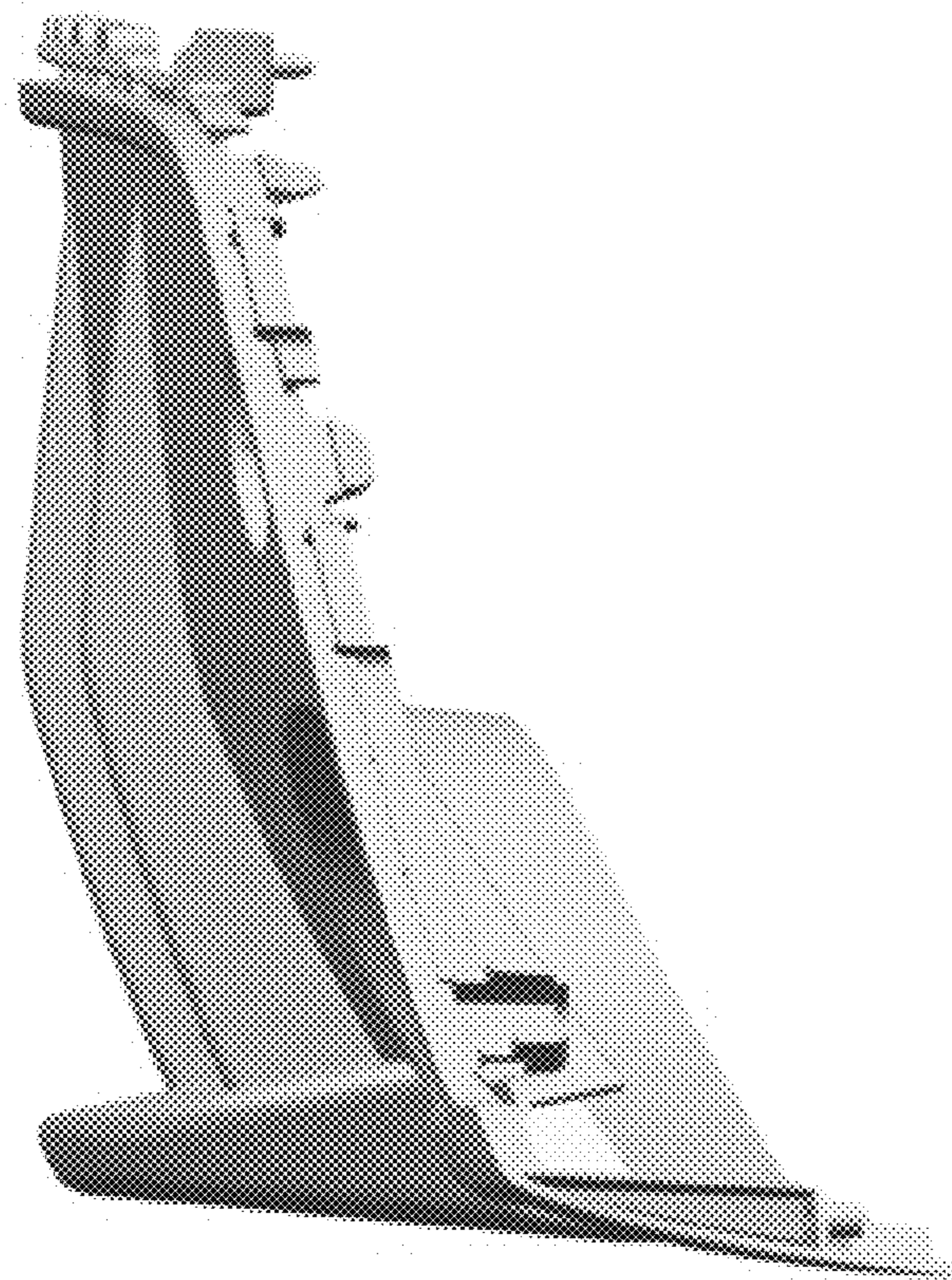


FIG. 6

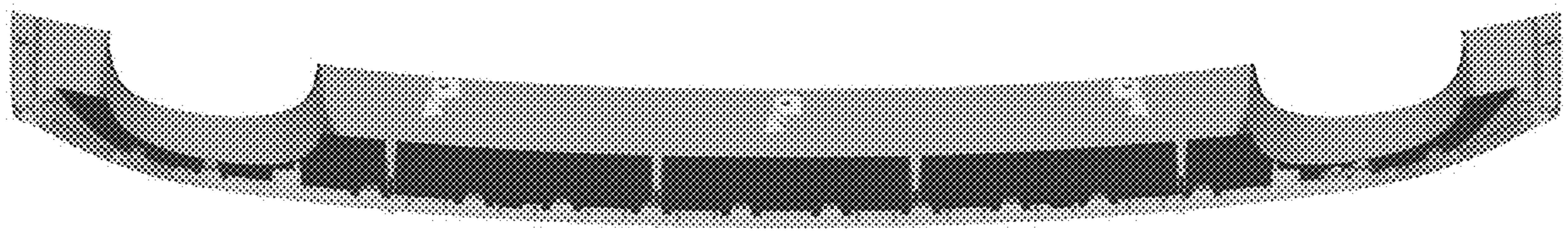


FIG. 7

