



US00D977387S

(12) **United States Design Patent** (10) **Patent No.:** **US D977,387 S**
Kotsones et al. (45) **Date of Patent:** **** Feb. 7, 2023**

(54) **TAILGATE PANEL FOR AUTOMOBILE**

OTHER PUBLICATIONS

- (71) Applicants: **Hyundai Motor Company**, Seoul (KR); **Kia Corporation**, Seoul (KR)
- (72) Inventors: **Nathan Kotsones**, Superior Township, MI (US); **Senon B. Franco, III**, Superior Township, MI (US)
- (73) Assignees: **Hyundai Motor Company**, Seoul (KR); **Kia Corporation**, Seoul (KR)
- (**) Term: **15 Years**

Tailgates (Design—© Questel) orbit.com. [Online PDF compilation of references] 47 pgs. Print Dates Range Nov. 1, 2021-Nov. 3, 2021 [Retrieved Sep. 16, 2022].*

Hyundai Tucson 2022-2023 Rear Trunk Lid. 2022. eBay. <https://www.ebay.com/itm/203509377643>.*

Hyundai Elantra Rear Chrome Trunk Lid Trim. 2017. GAS. https://globalautoshop.com/styling/trunk/hyundai_elantra_rear_chrome_trunk_lid_molding_trim.*

Rear Trunk Lid Tailgate Trim Stainless Fits Hyundai Elantra. 2019. OMAC. <https://omacshop.com/products/chrome-rear-trunk-lid-tailgate-trim-stainless-for-hyundai-elentra-sedan-2019-20>.*

* cited by examiner

- (21) Appl. No.: **29/779,408**
- (22) Filed: **Apr. 19, 2021**
- (51) **LOC (14) Cl.** **12-16**
- (52) **U.S. Cl.**
USPC **D12/196**
- (58) **Field of Classification Search**
USPC D12/86, 90, 91, 92, 93, 163, 169, 196;
D21/424, 433, 434; D25/48.1, 48.4, 48.5,
D25/199
CPC B62D 25/08; B62D 33/0273; B62D 33/03;
B62D 33/037; B62D 33/023; B62D
33/033

Primary Examiner — George D. Kirschbaum
Assistant Examiner — Suzanne E Tisdell
 (74) *Attorney, Agent, or Firm* — Fox Rothschild LLP

See application file for complete search history.

(56) **References Cited**

U.S. PATENT DOCUMENTS

D758,271	S	*	6/2016	McMahan	D12/196
D784,232	S	*	4/2017	Henstridge	D12/196
D856,882	S	*	8/2019	Ninov	D12/196
D859,254	S	*	9/2019	Izard	D12/196
D864,821	S	*	10/2019	Thogersen	D12/196
D890,054	S	*	7/2020	Platto	D12/196
D890,055	S	*	7/2020	Platto	D12/196
D897,255	S	*	9/2020	Zipfel	D12/196
D908,572	S	*	1/2021	Langhals	D12/196
D930,539	S	*	9/2021	Matsuoka	D12/196
D960,803	S	*	8/2022	Kaoud	D12/196
D960,805	S	*	8/2022	Ruiz	D12/196
D961,475	S	*	8/2022	Kaoud	D12/196

(57) **CLAIM**

The ornamental design for a tailgate panel for automobile, as shown and described.

DESCRIPTION

FIG. 1 is a perspective view of a tailgate panel for automobile according to the present invention.

FIG. 2 is a front view of the tailgate panel for automobile of FIG. 1.

FIG. 3 is a rear view of the tailgate panel for automobile of FIG. 1.

FIG. 4 is a left side view of the tailgate panel for automobile of FIG. 1.

FIG. 5 is a right side view of the tailgate panel for automobile of FIG. 1.

FIG. 6 is a top view of the tailgate panel for automobile of FIG. 1; and,

FIG. 7 is a bottom view of the tailgate panel for automobile of FIG. 1.

1 Claim, 7 Drawing Sheets

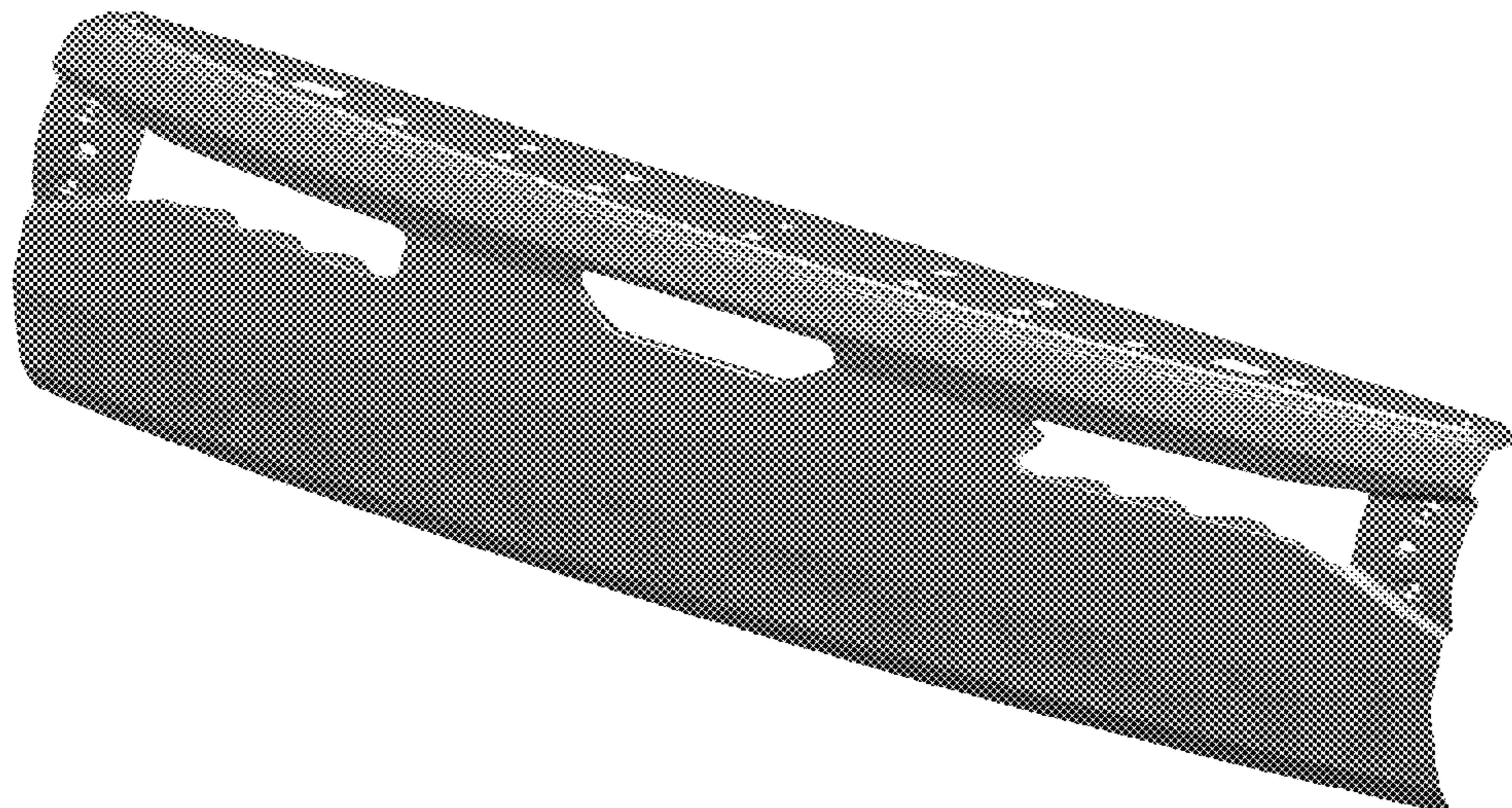


FIG. 1

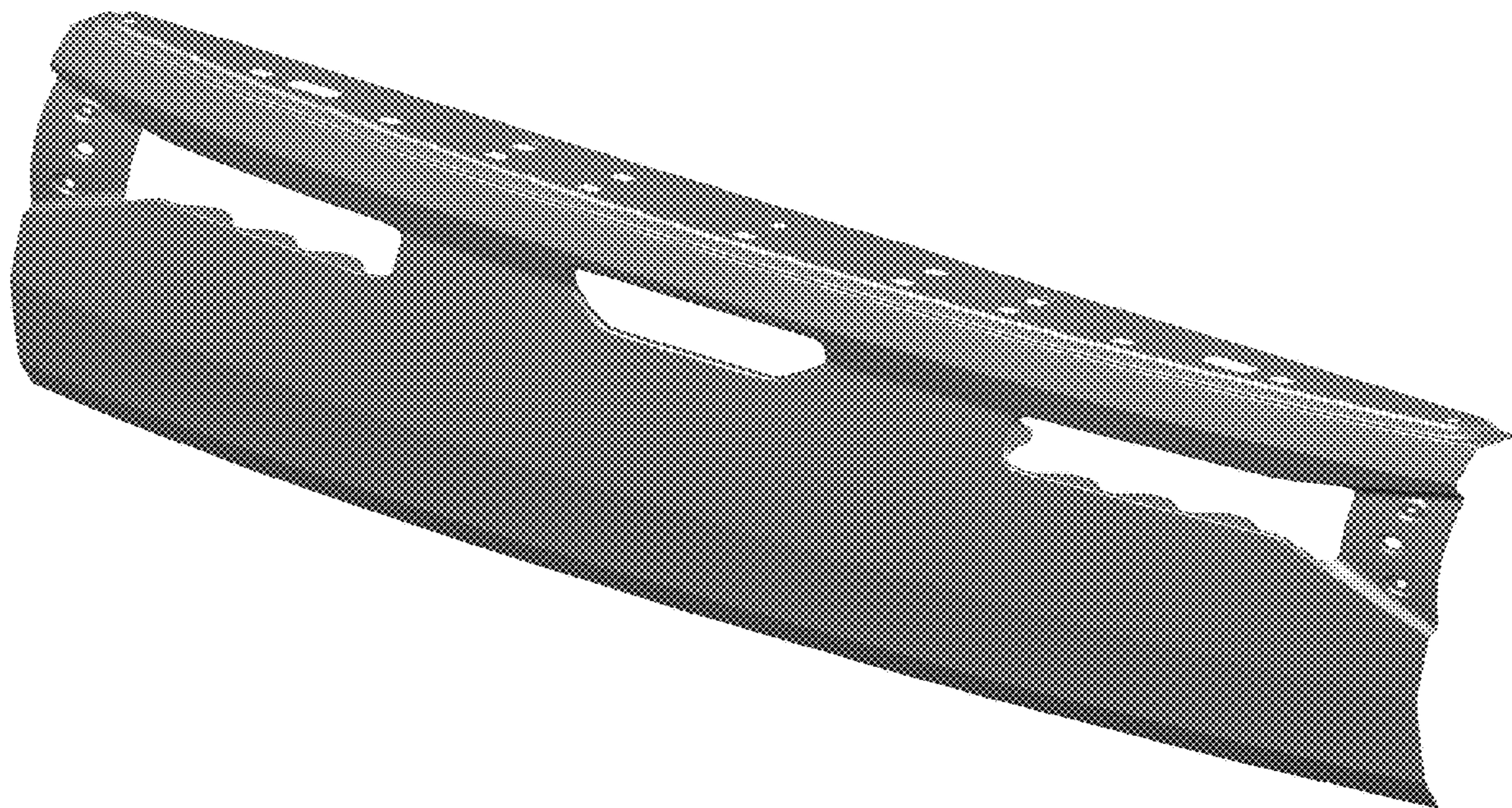


FIG. 2

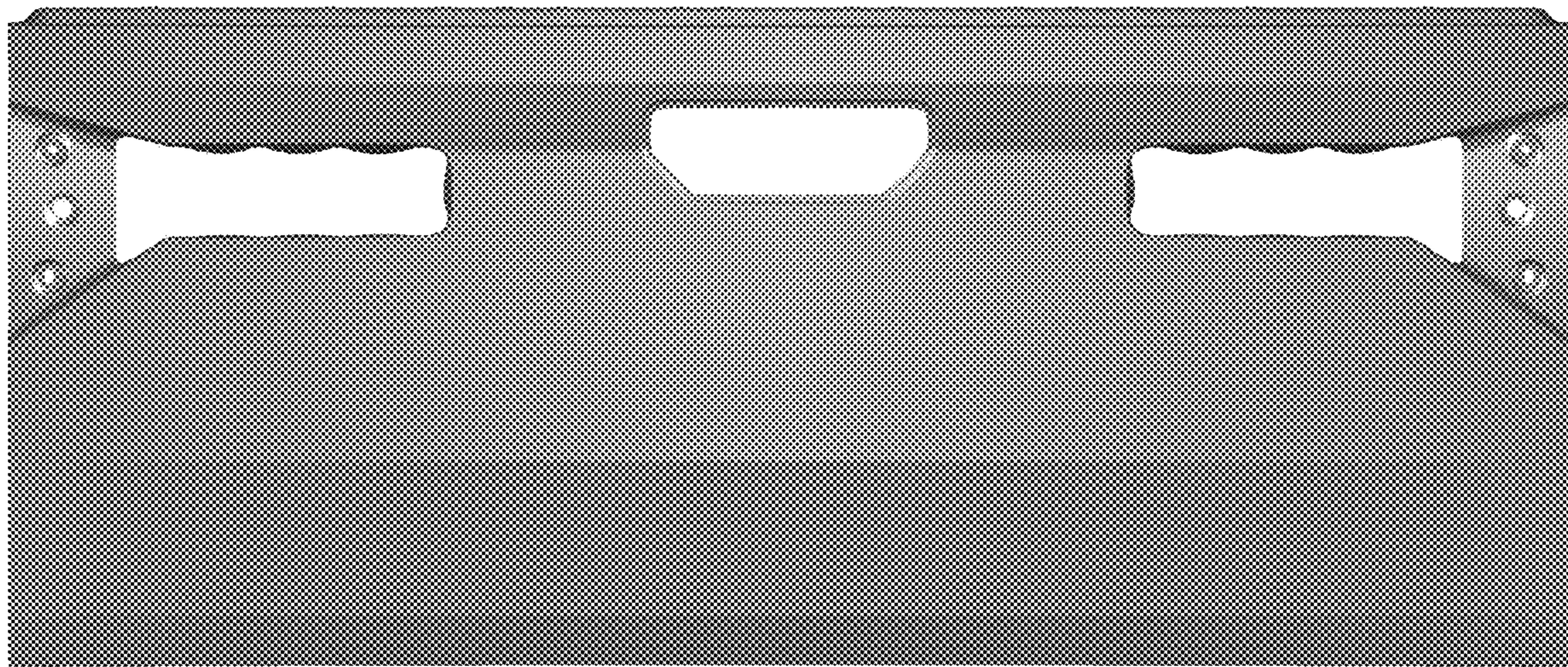


FIG. 3

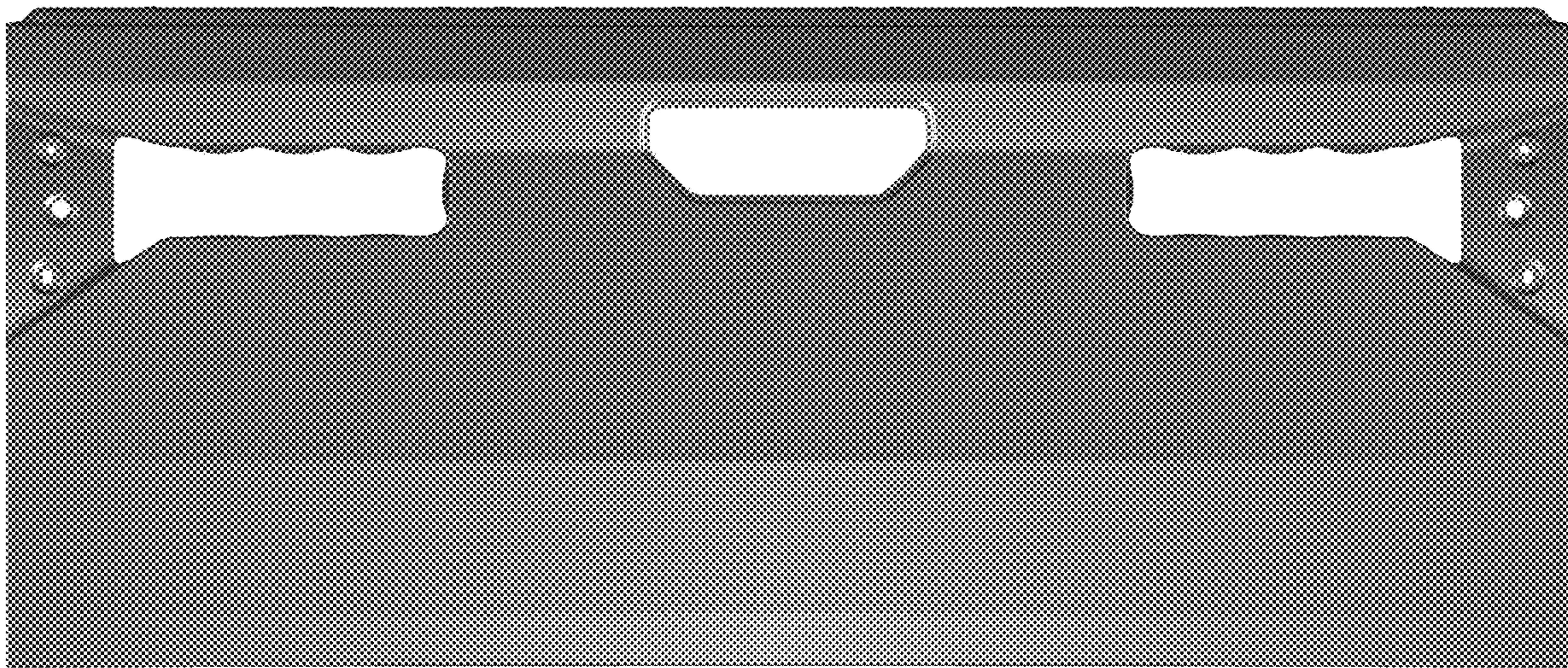


FIG. 4

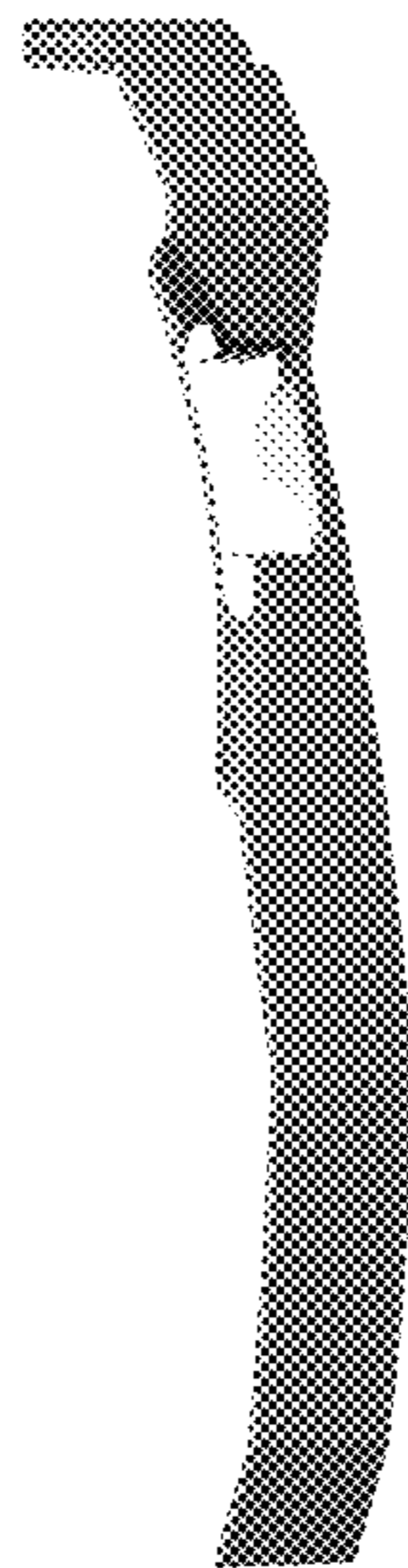


FIG. 5

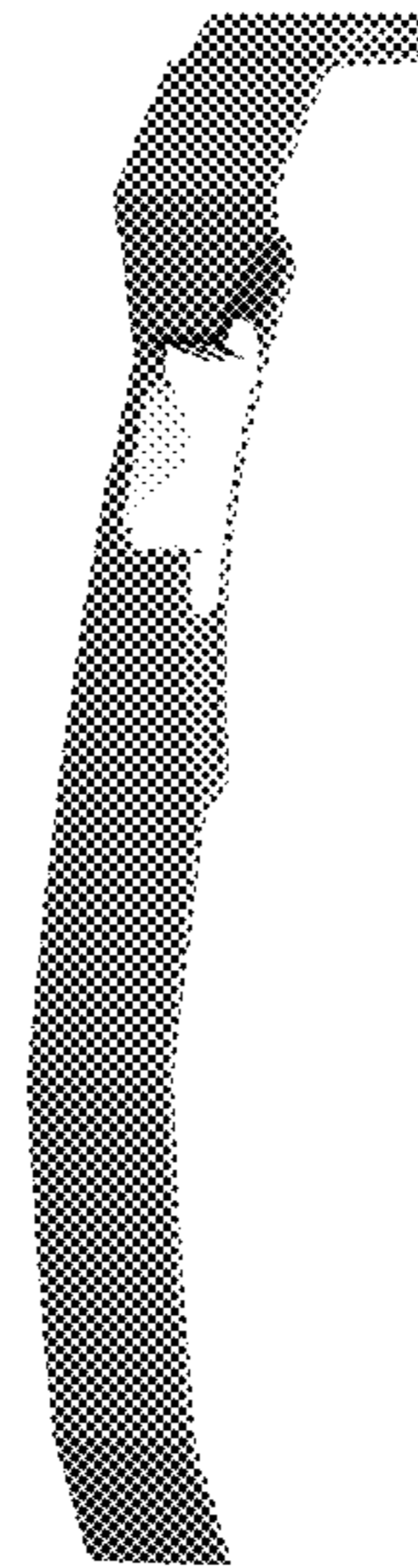


FIG. 6

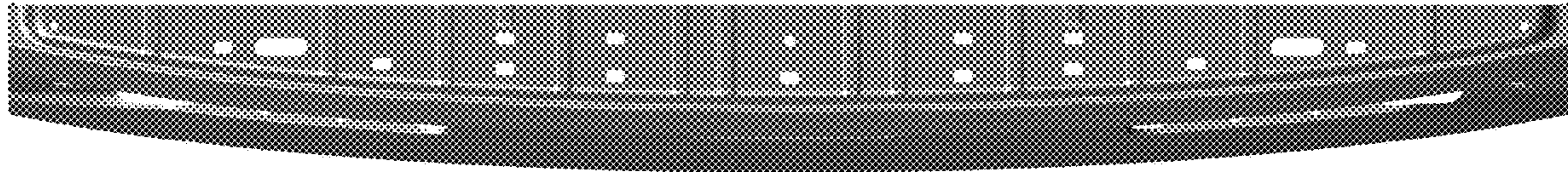


FIG. 7

