



US00D977386S

(12) **United States Design Patent** (10) **Patent No.:** **US D977,386 S**
Liu et al. (45) **Date of Patent:** **** Feb. 7, 2023**

(54) **BATTERY PACK**

(71) Applicant: **Positec Power Tools (Suzhou) Co., Ltd.**, Suzhou (CN)

(72) Inventors: **Yang Liu**, Suzhou (CN); **Haibo Zhou**, Suzhou (CN)

(73) Assignee: **POSITEC POWER TOOLS (SUZHOU) CO., LTD.**, Suzhou (CN)

(**) Term: **15 Years**

(21) Appl. No.: **29/775,242**

(22) Filed: **Mar. 22, 2021**

(30) **Foreign Application Priority Data**

Sep. 22, 2020 (CN) 202030565330.1

(51) **LOC (14) Cl.** **12-16**

(52) **U.S. Cl.**
USPC **D12/196**

(58) **Field of Classification Search**
USPC D13/102, 103, 104, 105, 106, 110, 118, D13/119, 184, 199
CPC .. H01M 10/05; H01M 10/052; H01M 10/054; H01M 10/425; H01M 10/48; H01M 10/486; H01M 50/249; H01M 2220/30; H01M 2250/30

See application file for complete search history.

(56) **References Cited**

U.S. PATENT DOCUMENTS

6,046,940	A	4/2000	Takeuchi et al.	
6,330,360	B1	12/2001	Saito	
6,409,750	B1	6/2002	Hyodoh et al.	
D510,722	S *	10/2005	Kosiba	D13/103
D639,730	S *	6/2011	Kawase	D13/103
8,846,000	B2	9/2014	Cox et al.	
8,846,010	B2	9/2014	Vaidya et al.	
8,941,180	B2	1/2015	Anderson et al.	
D938,903	S *	12/2021	Miyake	D13/103

D941,752	S *	1/2022	Luo	D13/103
D945,959	S *	3/2022	Okuda	D13/103
D946,504	S *	3/2022	Qiu	D13/103
D950,483	S *	5/2022	Yrad, Jr.	D13/103
D951,860	S *	5/2022	Forsberg	D13/103

(Continued)

FOREIGN PATENT DOCUMENTS

CN	304677951	S	6/2018
CN	305491798	S	12/2019

OTHER PUBLICATIONS

Rechargeable Batteries. (Design—© Questel) orbit.com. [Online PDF compilation of references] 56 pgs. Print Dates Range Mar. 23, 2021-Oct. 17, 2017 [Retrieved Jun. 10, 2022].*

(Continued)

Primary Examiner — George D. Kirschbaum

Assistant Examiner — Suzanne E Tisdell

(74) *Attorney, Agent, or Firm* — Loza & Loza, LLP; Michael Fedrick

(57) **CLAIM**

The ornamental design for a battery pack, as shown and described.

DESCRIPTION

FIG. 1 is a perspective view of a first embodiment of our new design.

FIG. 2 is a front view thereof.

FIG. 3 is a back view thereof.

FIG. 4 is a left-side view thereof.

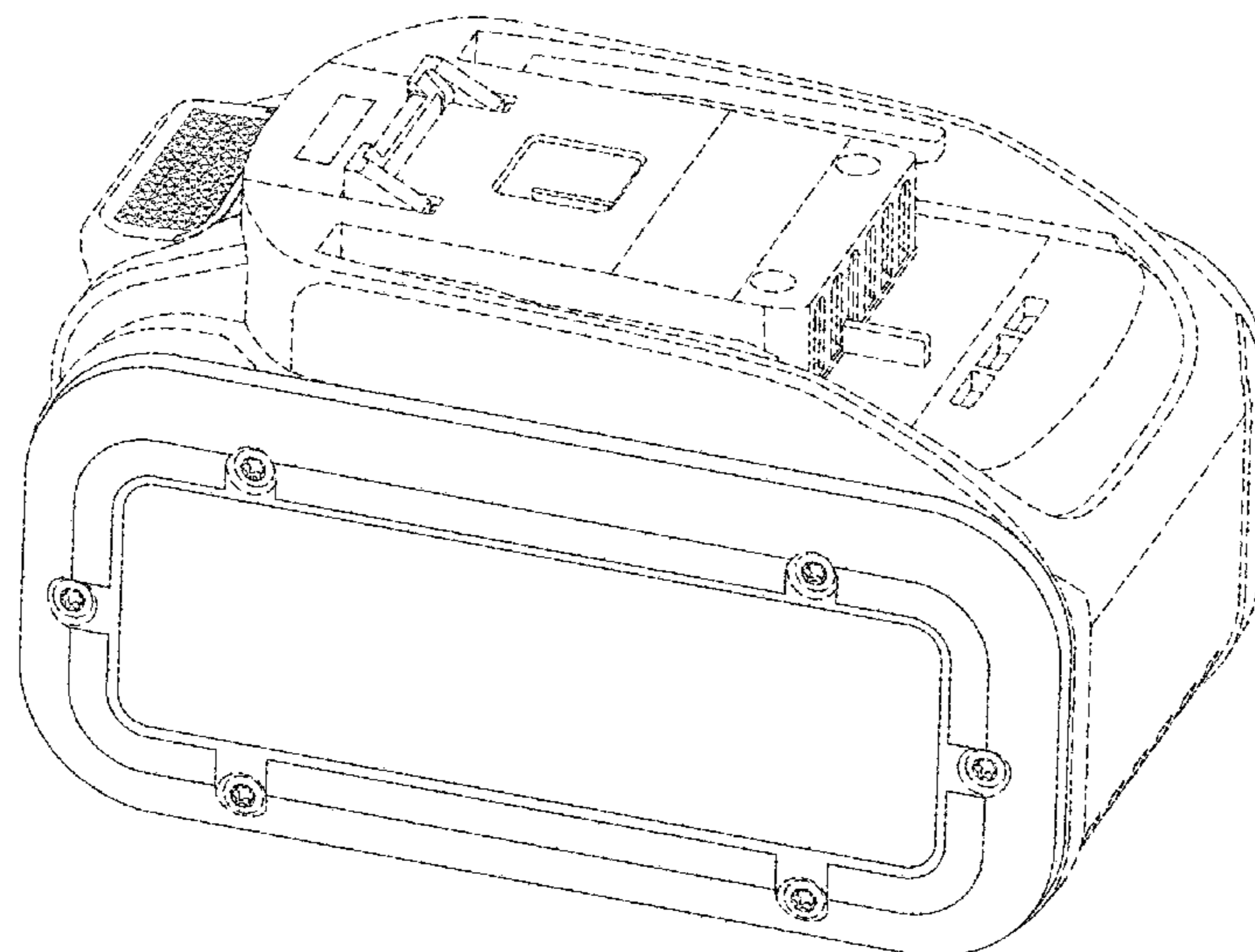
FIG. 5 is a right-side view thereof.

FIG. 6 is a top view thereof; and,

FIG. 7 is a bottom view thereof.

The broken line showing is included for the purpose of illustrating unclaimed portions of the design for a battery pack and forms no part of the claimed design.

1 Claim, 7 Drawing Sheets



(56)

References Cited

U.S. PATENT DOCUMENTS

D951,862 S * 5/2022 Xia D13/103
D952,552 S * 5/2022 Forsberg D13/103
D952,554 S * 5/2022 Xu D13/103
D953,253 S * 5/2022 Cestonaro D13/103
D953,258 S * 5/2022 Ye D13/103

OTHER PUBLICATIONS

Bosch GBA18V80 Battery. 2019. Zoro. https://www.zoro.com/bosch-battery-1-80-ah-li-ion-gba18v80/i/G8707935/?utm_source=google&utm_medium=surfaces&utm_campaign=shopping%20feed&utm_content=free%20google%20shopping%20clicks&gclid=EAlaIQobChMlyKDHqIct-AIVtPfiBx0q8AfWEAQYAyABEgJsefD_BwE.*

Koehler, Kenny. Bosch CORE18V Battery Review. Aug. 9, 2019. Pro Tool Reviews, <https://www.protoolreviews.com/bosch-core18v-battery-announced/>.*

Deboer, Clint. Bosch Dual 18V and 12V Battery Charger. Aug. 9, 2019. Pro Tool Reviews, <https://www.protoolreviews.com/tools/power/cordless/batteries-chargers/bosch-dual-bay-18v-12v-battery-charger-gax1218v-30/48470/>.*

* cited by examiner

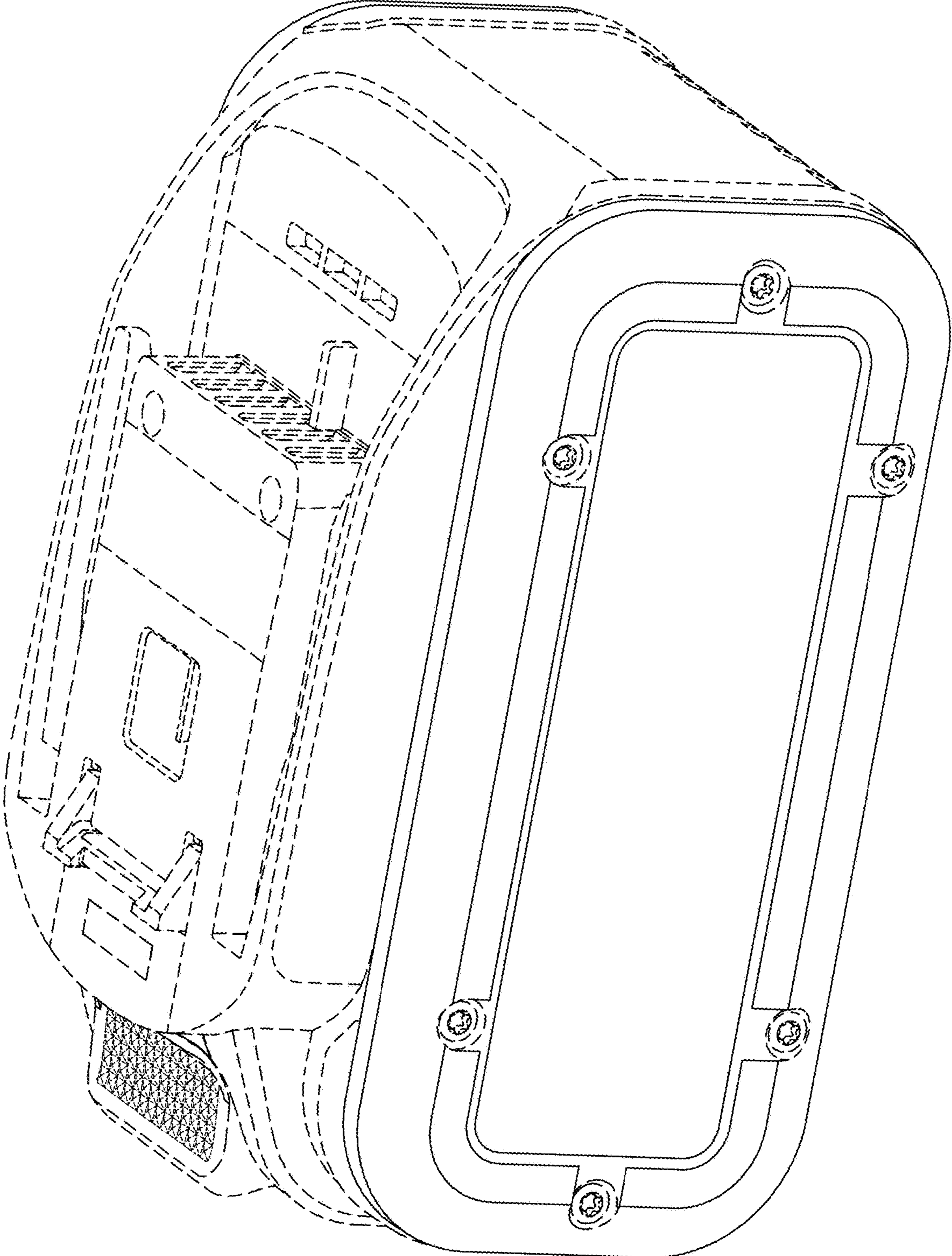


FIG. 1

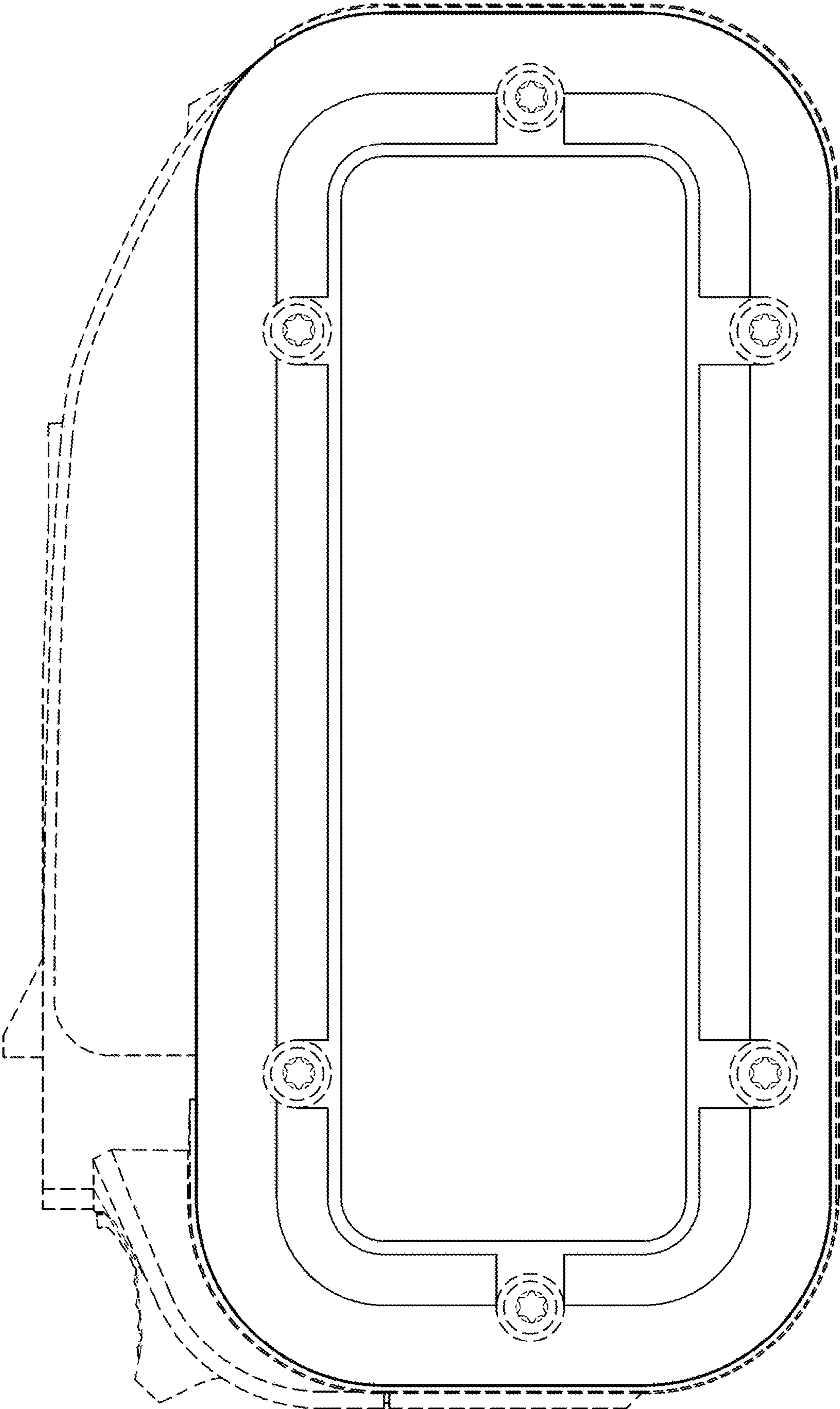


FIG. 2

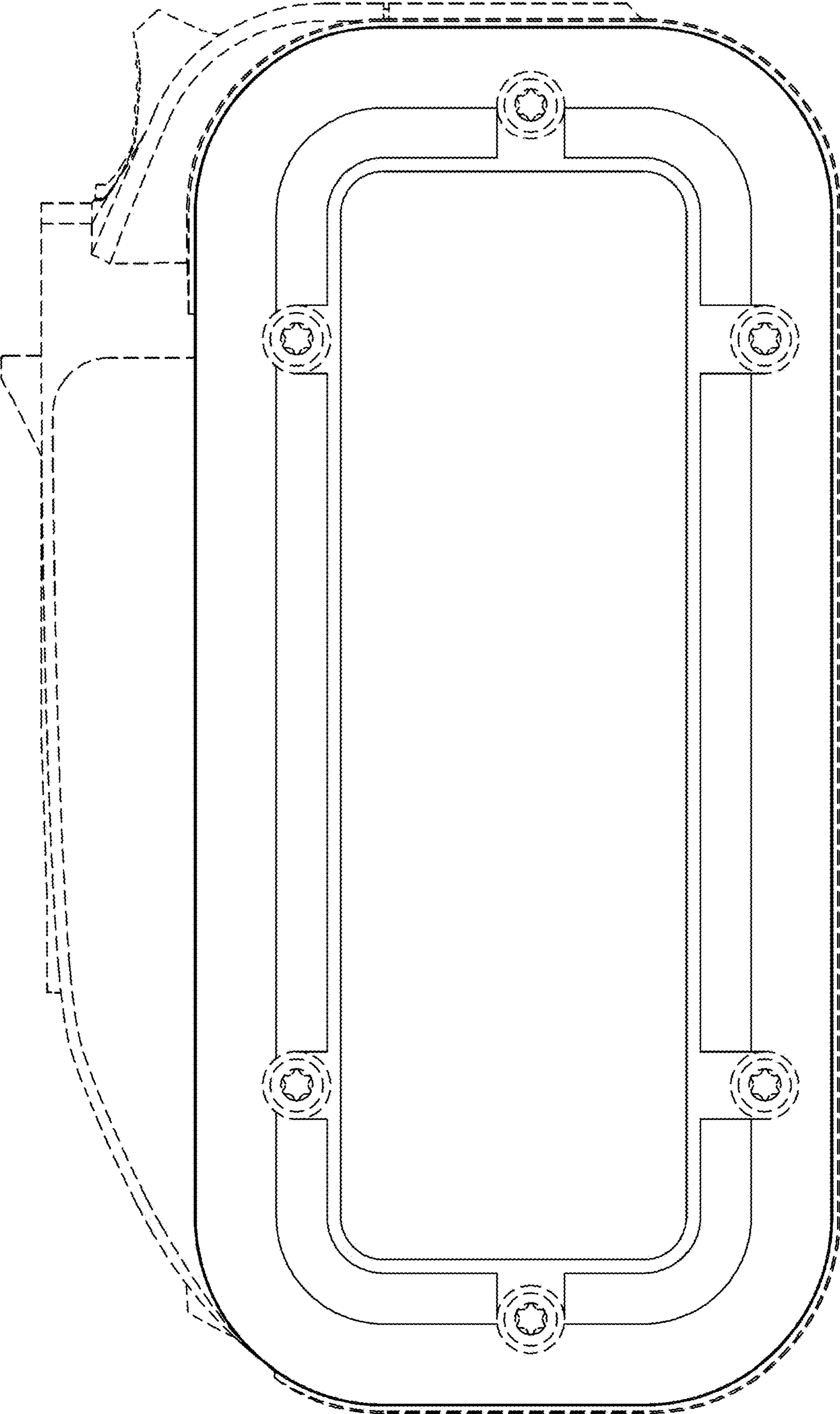


FIG. 3

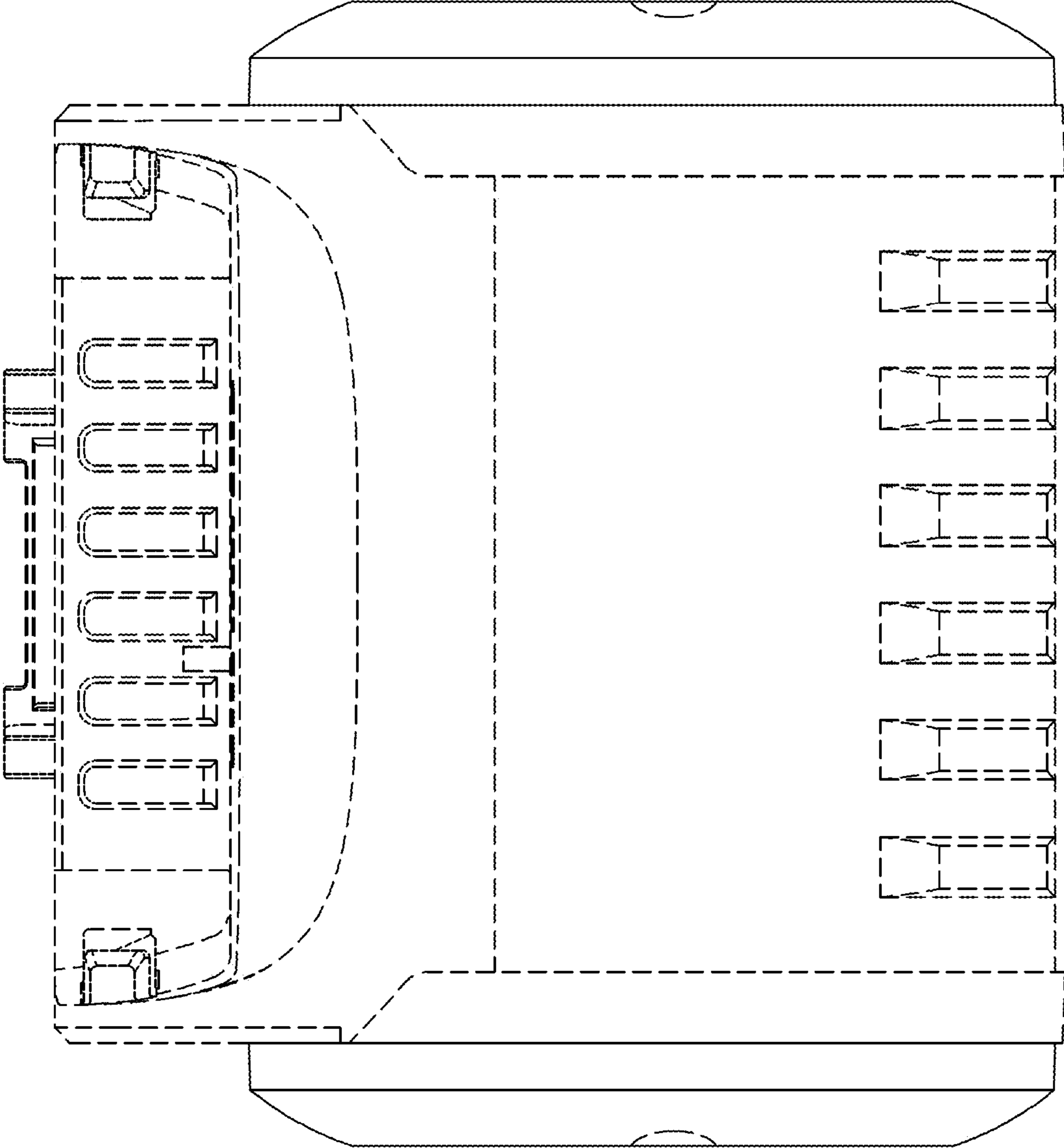


FIG. 4

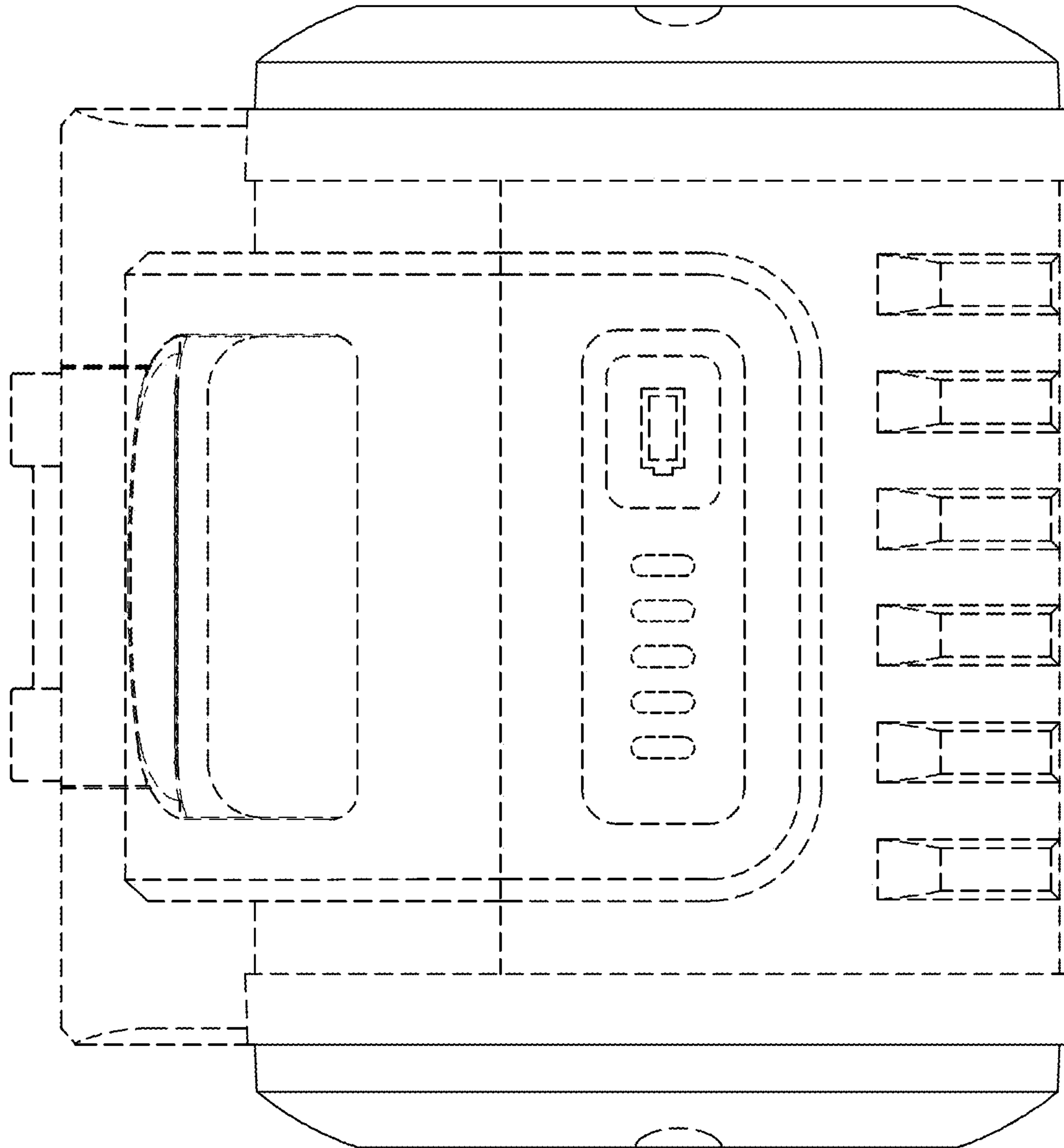


FIG. 5

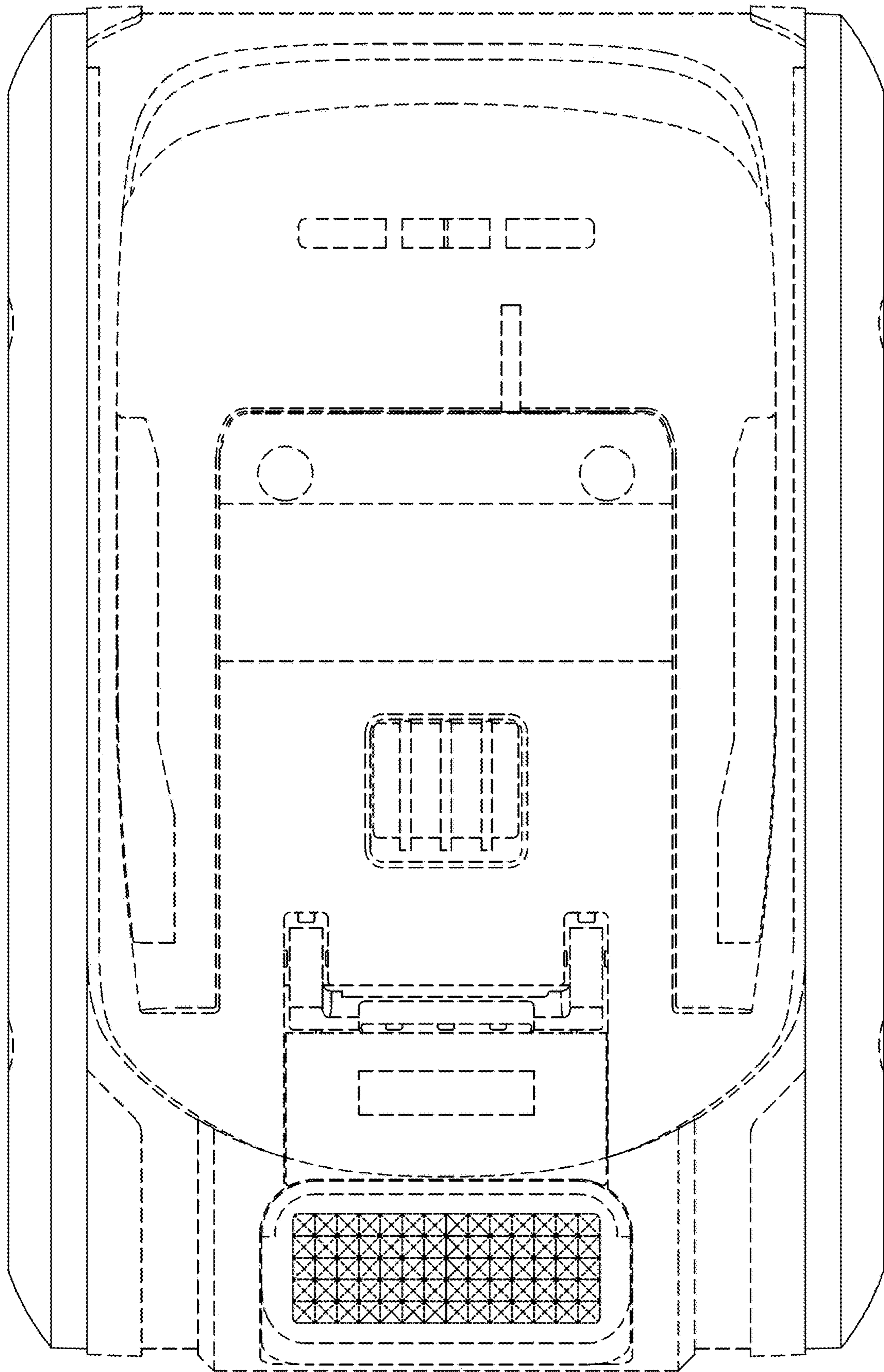


FIG. 6

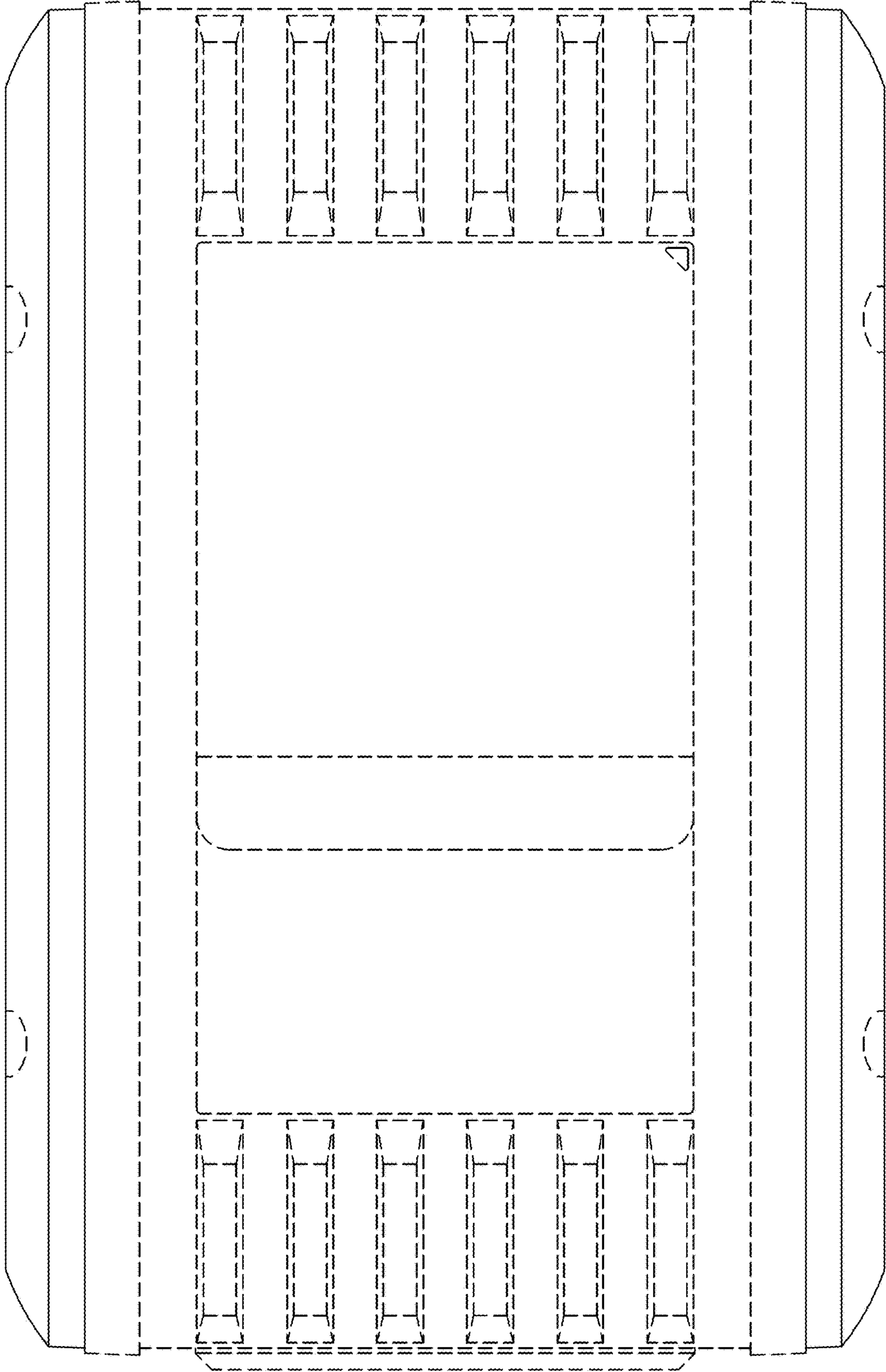


FIG. 7