



US00D977385S

(12) **United States Design Patent**  
**Chang et al.**

(10) **Patent No.:** **US D977,385 S**

(45) **Date of Patent:** **\*\* Feb. 7, 2023**

(54) **INTERIOR REARVIEW MIRROR**

(71) Applicant: **ABILITY OPTO-ELECTRONICS TECHNOLOGY CO.LTD.**, Taichung (TW)

(72) Inventors: **Yeong-Ming Chang**, Taichung (TW);  
**Yi-Chi Cheng**, Taichung (TW);  
**Tzu-Hsuan Wei**, Taichung (TW);  
**Chien-Hsun Lai**, Taichung (TW);  
**Yao-Wei Liu**, Taichung (TW)

(73) Assignee: **ABILITY OPTO-ELECTRONICS TECHNOLOGY CO. LTD.**, Taichung (TW)

(\*\*) Term: **15 Years**

(21) Appl. No.: **29/661,595**

(22) Filed: **Aug. 29, 2018**

(30) **Foreign Application Priority Data**

Aug. 21, 2018 (TW) ..... 107304908

(51) **LOC (14) Cl.** ..... **12-16**

(52) **U.S. Cl.**  
USPC ..... **D12/187**

(58) **Field of Classification Search**  
USPC ..... D10/104.1, 105, 106.6; D12/187-189;  
D24/216; D28/78

(Continued)

(56) **References Cited**

**U.S. PATENT DOCUMENTS**

2,437,154 A \* 3/1948 Dohanian ..... B60J 1/14  
359/844  
3,468,601 A \* 9/1969 Smith ..... B60R 1/10  
359/872

(Continued)

*Primary Examiner* — Katrina N Gonzalez

(74) *Attorney, Agent, or Firm* — Muncy, Geissler, Olds & Lowe, P.C.

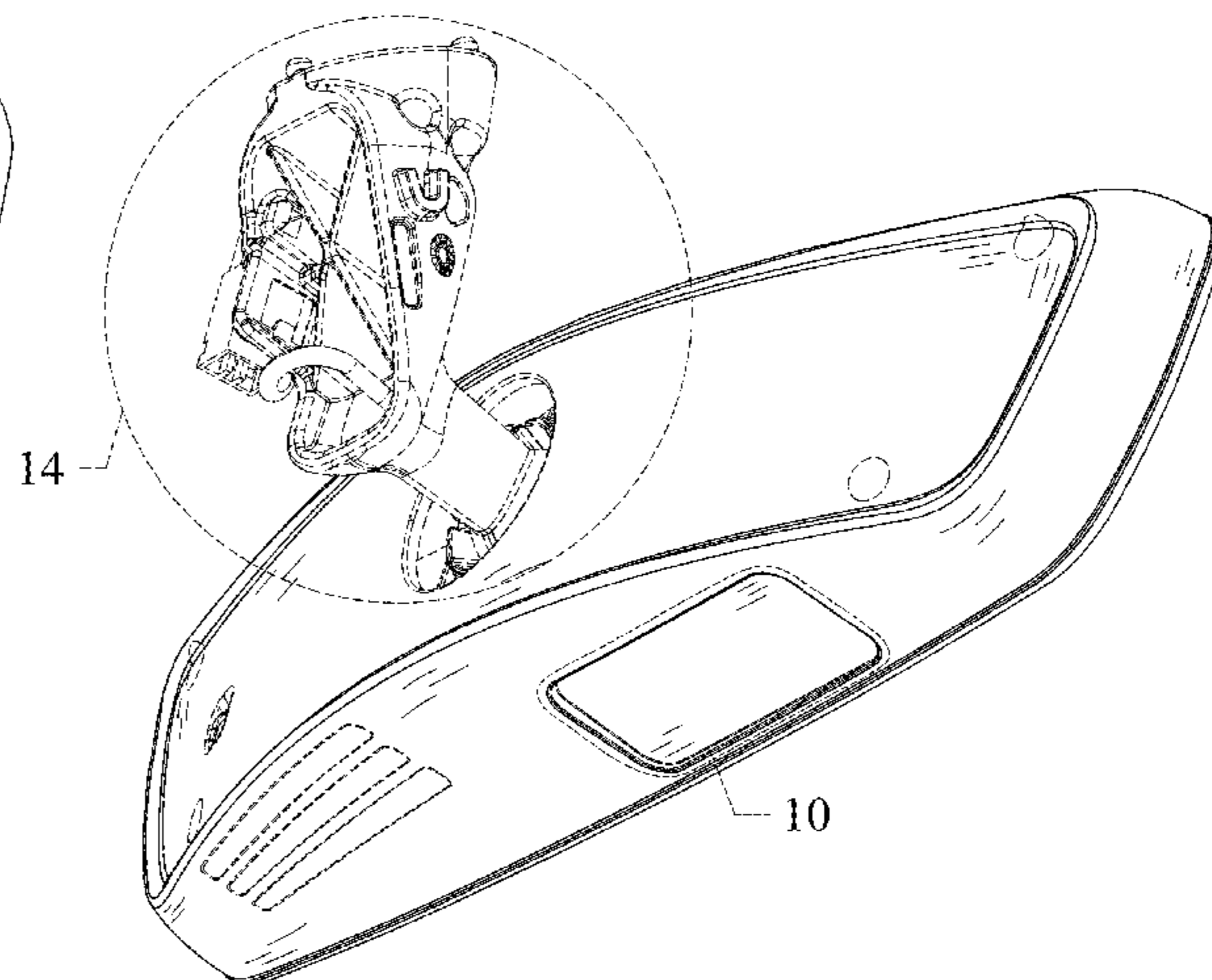
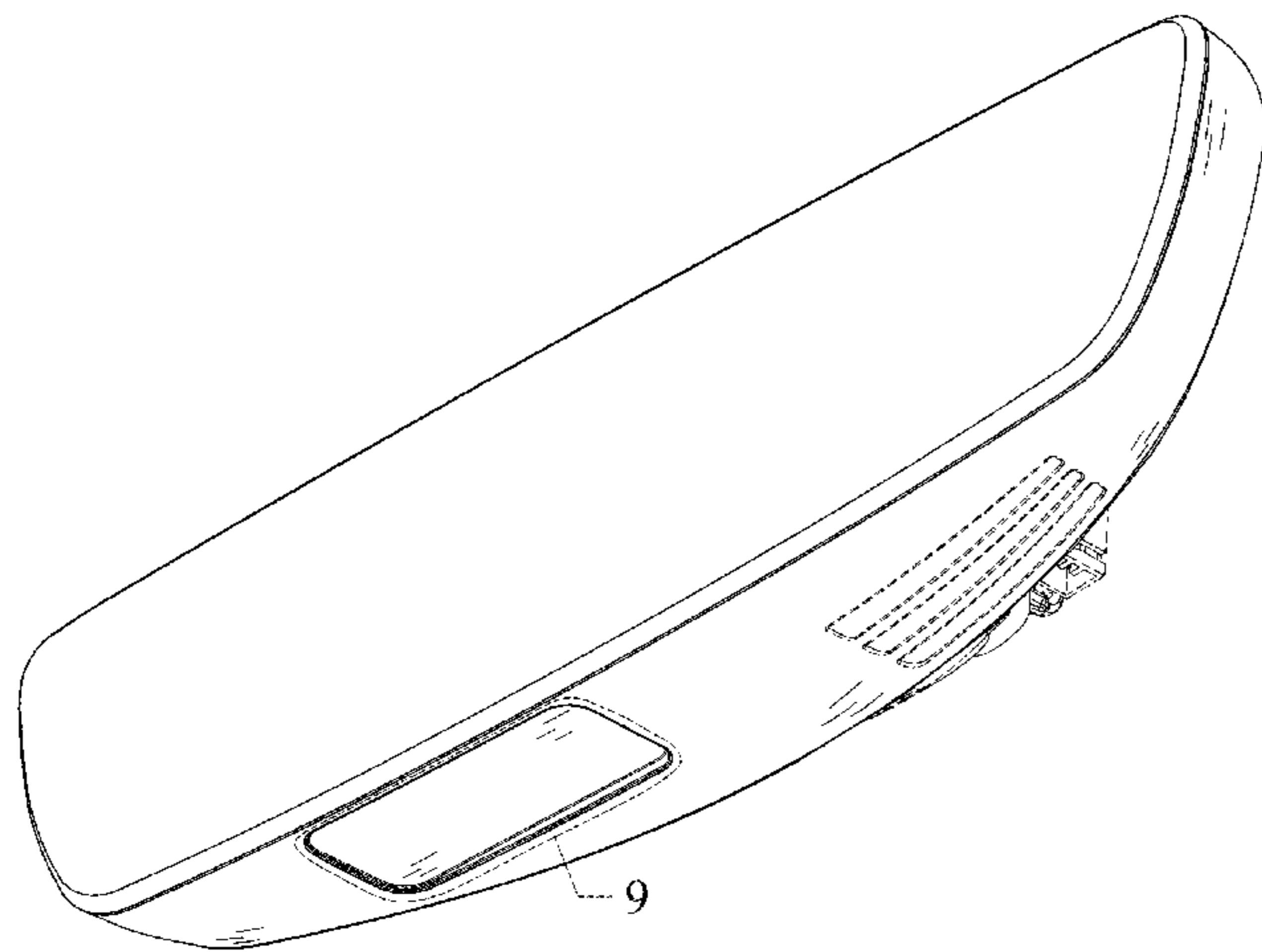
(57) **CLAIM**

The ornamental design for an interior rearview mirror, as shown and described.

**DESCRIPTION**

FIG. 1 is the 1<sup>st</sup> perspective view of an interior rearview mirror, showing our new design;  
FIG. 2 is another perspective view thereof;  
FIG. 3 is a front elevation view thereof;  
FIG. 4 is a rear elevation view thereof;  
FIG. 5 is a left side elevation view thereof;  
FIG. 6 is a right elevation view thereof;  
FIG. 7 is a top elevation view thereof;  
FIG. 8 is a bottom elevation view thereof;  
FIG. 9 is an enlarged detail view of FIG. 1, shown enlarged for clarity of illustration;  
FIG. 10 is an enlarged detail view of FIG. 2, shown enlarged for clarity of illustration;  
FIG. 11 is an enlarged detail view of FIG. 4, shown enlarged for clarity of illustration;  
FIG. 12 is an enlarged detail view of FIG. 5, shown enlarged for clarity of illustration;  
FIG. 13 is an enlarged detail view of FIG. 8, shown enlarged for clarity of illustration;  
FIG. 14 is an enlarged detail view of FIG. 2, shown enlarged for clarity of illustration;  
FIG. 15 is an enlarged detail view of FIG. 4, shown enlarged for clarity of illustration;  
FIG. 16 is an enlarged detail view of FIG. 5, shown enlarged for clarity of illustration;  
FIG. 17 is an enlarged detail view of FIG. 5, shown enlarged for clarity of illustration;  
FIG. 18 is an enlarged detail view of FIG. 6, shown enlarged for clarity of illustration; and,  
FIG. 19 is an enlarged detail view of FIG. 4, shown enlarged for clarity of illustration.  
The broken lines illustrate environmental structure that forms no part of the claimed design.

**1 Claim, 19 Drawing Sheets**



(58) **Field of Classification Search**  
 CPC ..... A12G 33/00; B60R 1/076; G02B 7/182;  
 G02B 7/18; G02B 5/08  
 See application file for complete search history.

(56) **References Cited**

U.S. PATENT DOCUMENTS

3,655,456 A \* 4/1972 Hamel ..... H01M 50/50  
 429/65  
 D351,173 S \* 10/1994 Yeh ..... D10/104.1  
 D353,125 S \* 12/1994 Mingledorff ..... D12/187  
 D356,537 S \* 3/1995 Eisenbraun ..... D12/187  
 D358,796 S \* 5/1995 Kniss ..... D12/187  
 D375,696 S \* 11/1996 Seki ..... D10/104.1  
 5,594,231 A \* 1/1997 Pellicori ..... C03C 17/3411  
 235/462.32  
 D396,841 S \* 8/1998 Taylor ..... D12/317  
 D415,706 S \* 10/1999 Ikeda ..... D10/106.6

D594,361 S \* 6/2009 Miller ..... D10/104.1  
 D596,060 S \* 7/2009 Dabrowski ..... D10/104.1  
 D596,753 S \* 7/2009 LaStella ..... D24/216  
 D597,877 S \* 8/2009 Lamason ..... D10/104.1  
 D598,121 S \* 8/2009 LaStella ..... D24/216  
 D647,413 S \* 10/2011 Trine ..... D10/106.6  
 D727,230 S \* 4/2015 Kao ..... D12/187  
 D768,013 S \* 10/2016 Stecker ..... D10/70  
 D774,935 S \* 12/2016 Liu ..... D10/104.1  
 D801,840 S \* 11/2017 Dwyer ..... D10/104.1  
 D815,372 S \* 4/2018 Goetzl ..... D30/199  
 D837,180 S \* 1/2019 Silva ..... D14/185  
 D842,784 S \* 3/2019 Burki ..... D12/187  
 D879,390 S \* 3/2020 Cai ..... D30/199  
 D882,426 S \* 4/2020 Gross ..... D10/65  
 D883,828 S \* 5/2020 Ward ..... D10/104.1  
 D904,702 S \* 12/2020 Jia ..... D30/199  
 D906,913 S \* 1/2021 Chang ..... D12/187  
 2020/0215973 A1 \* 7/2020 Chang ..... H04N 7/183

\* cited by examiner

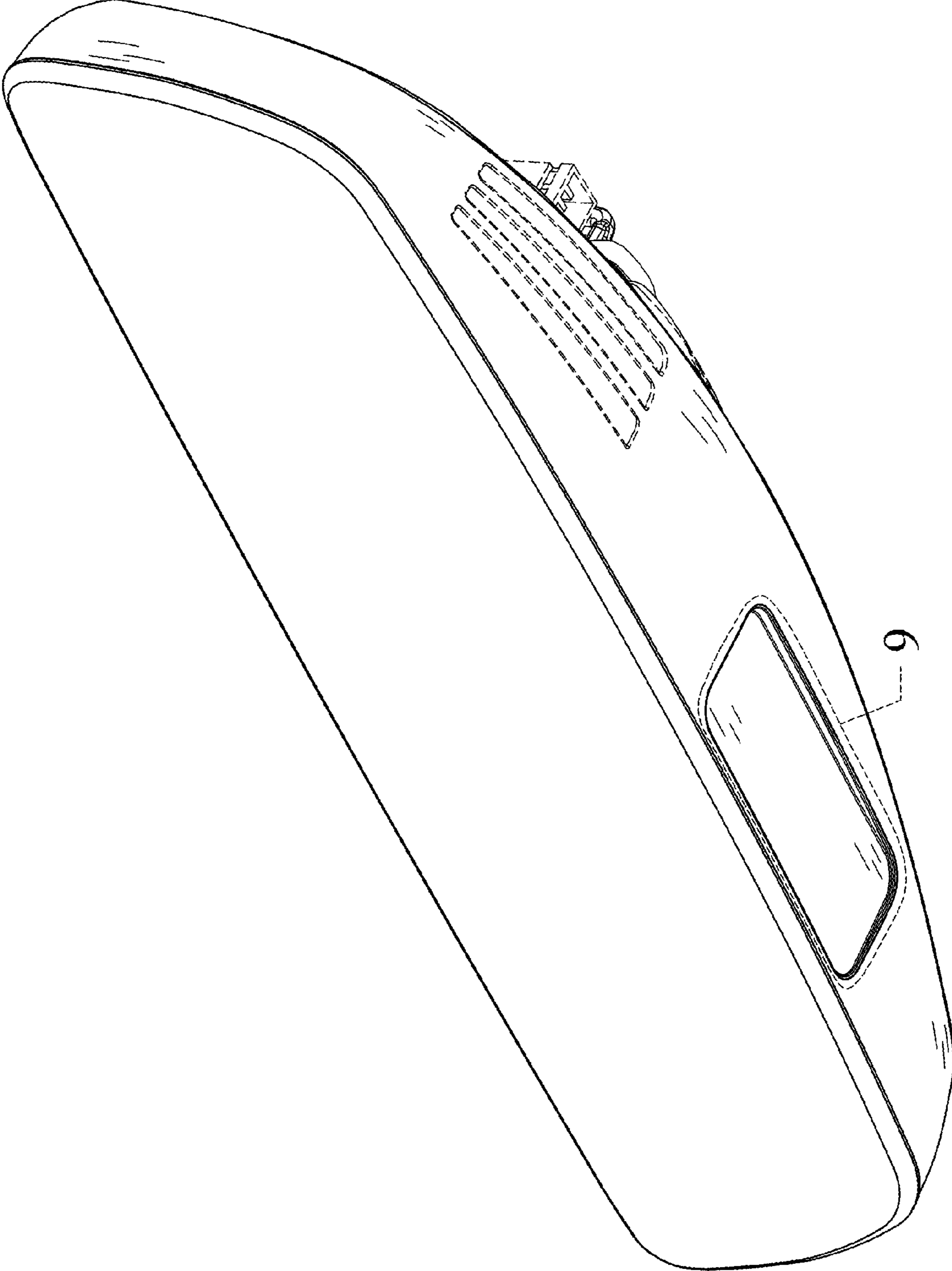


FIG. 1



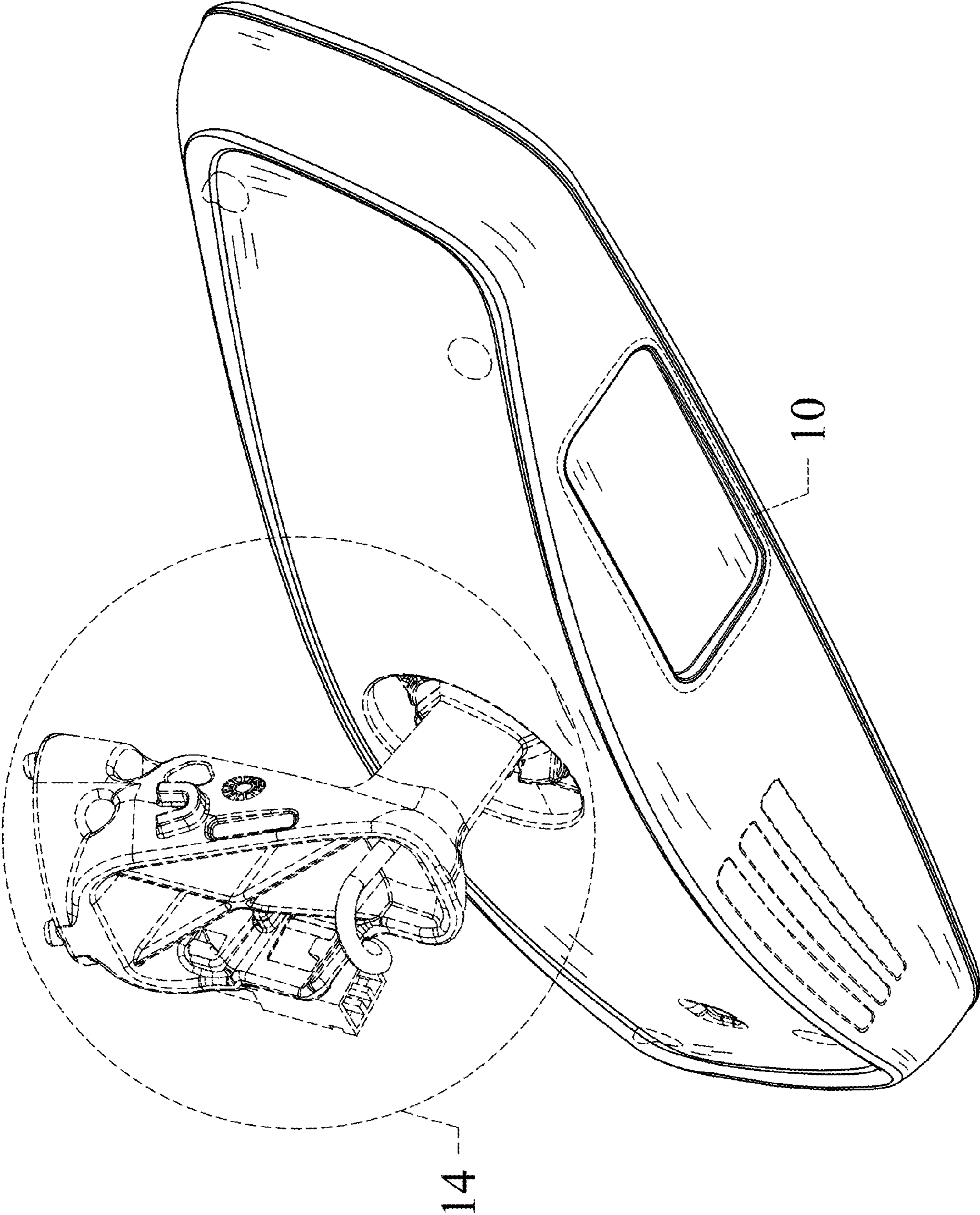


FIG. 2

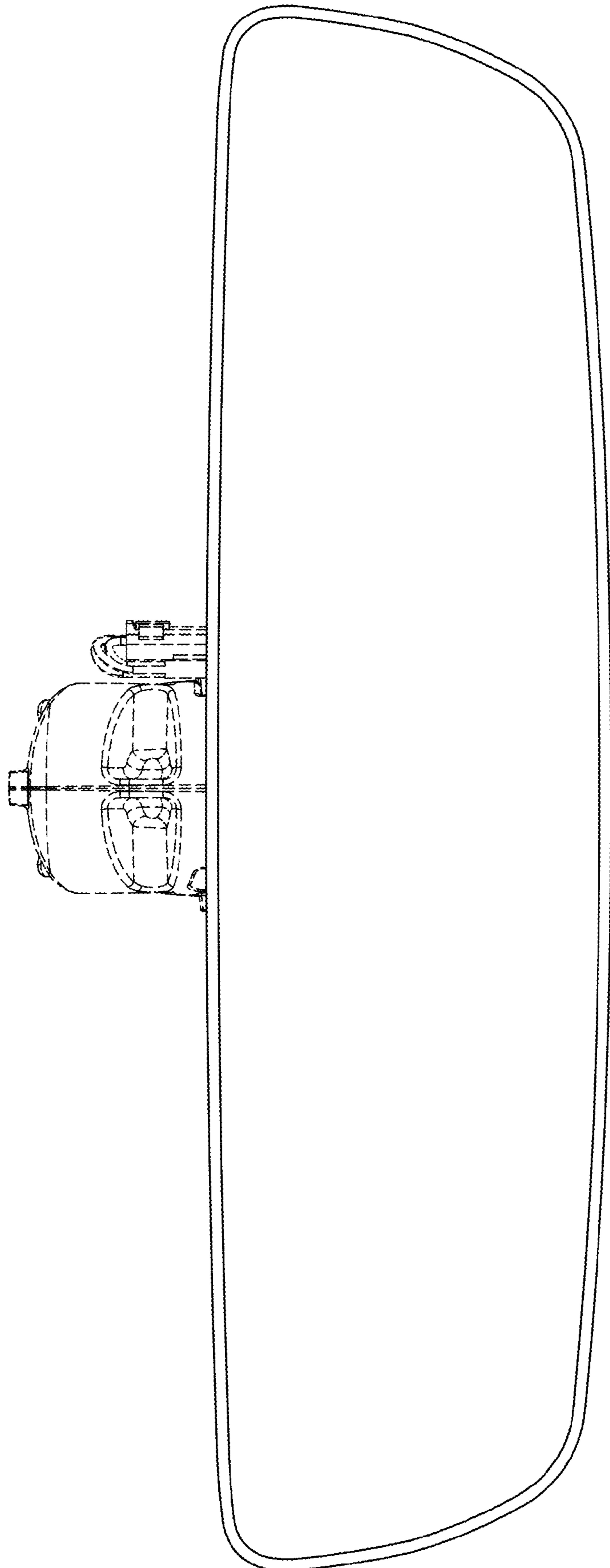


FIG. 3

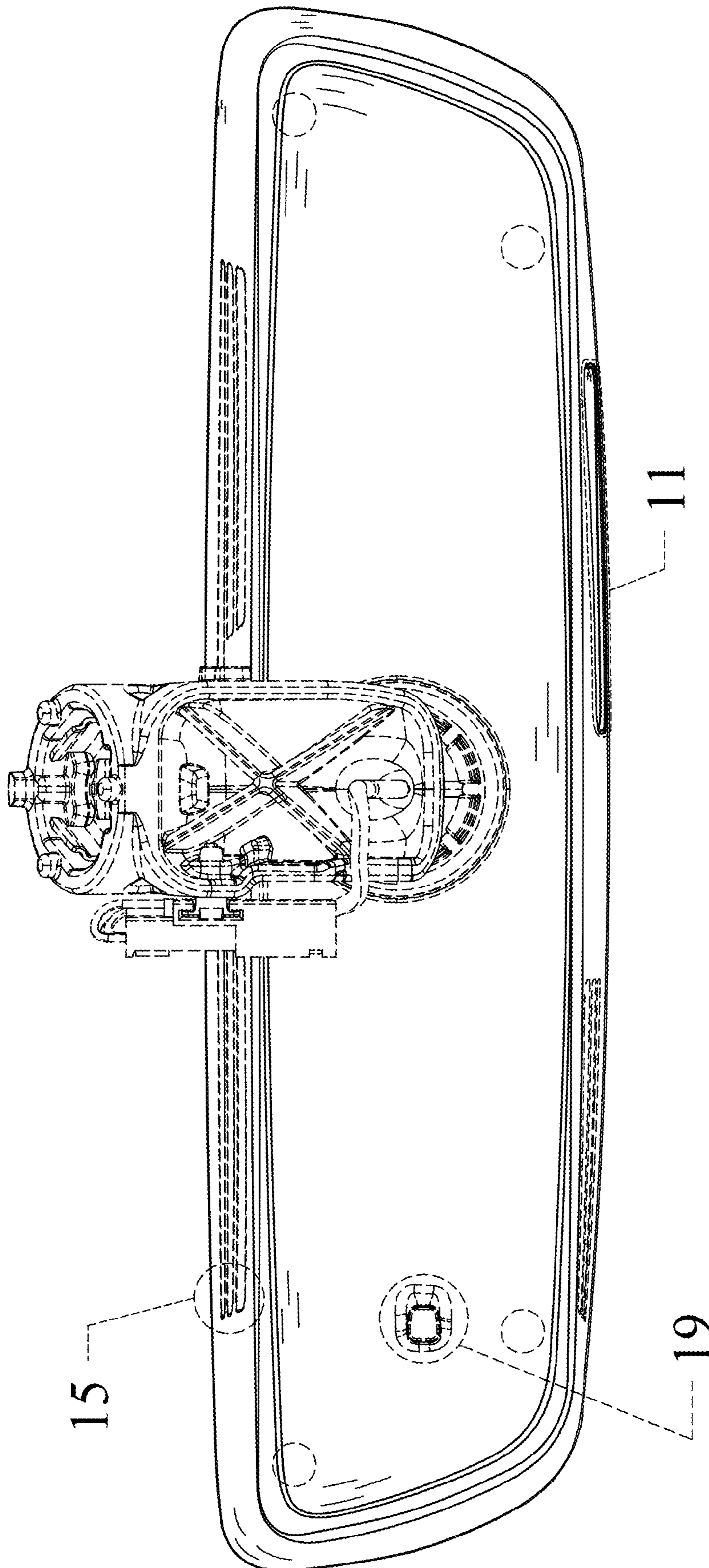


FIG. 4

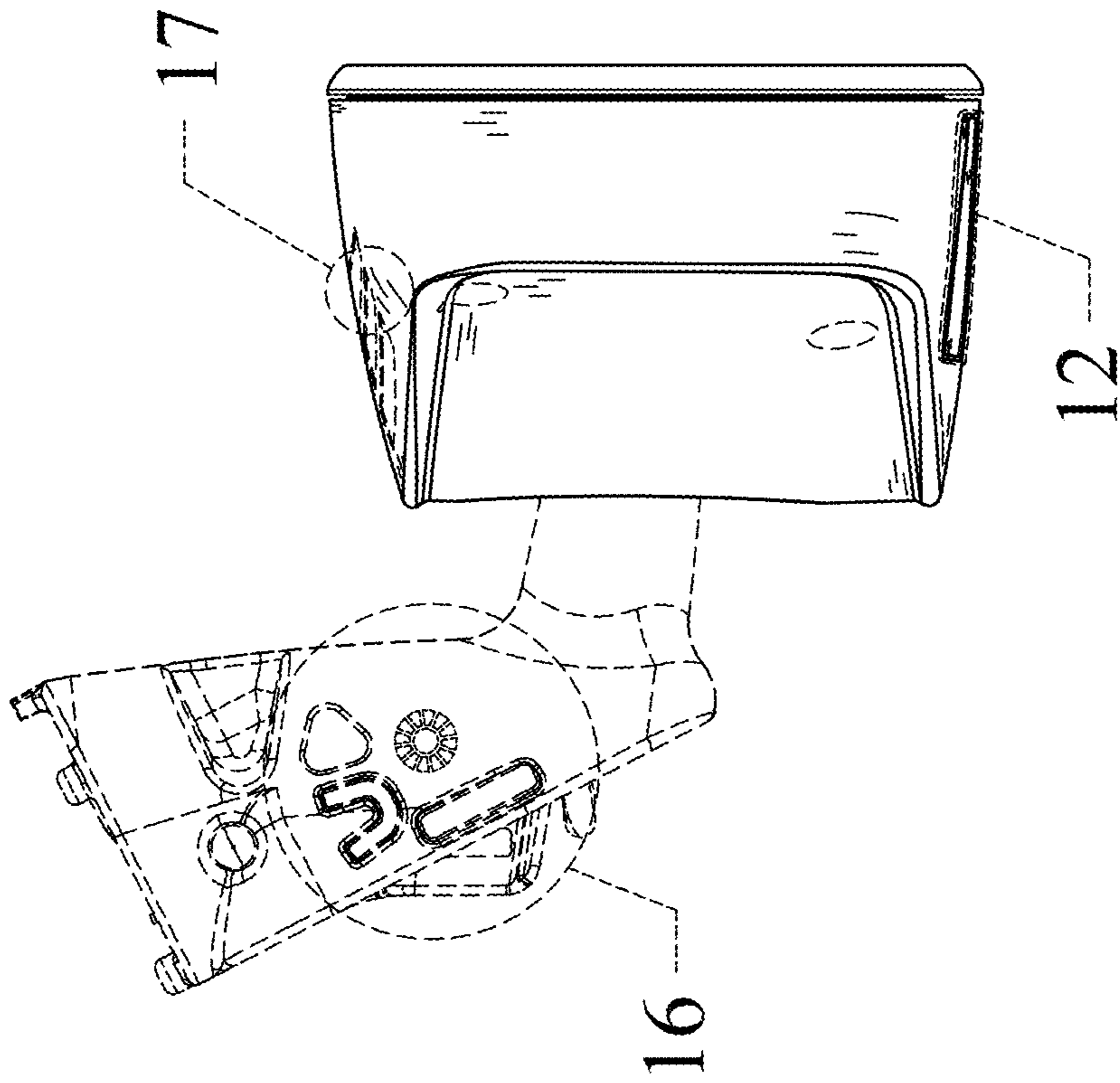


FIG. 5

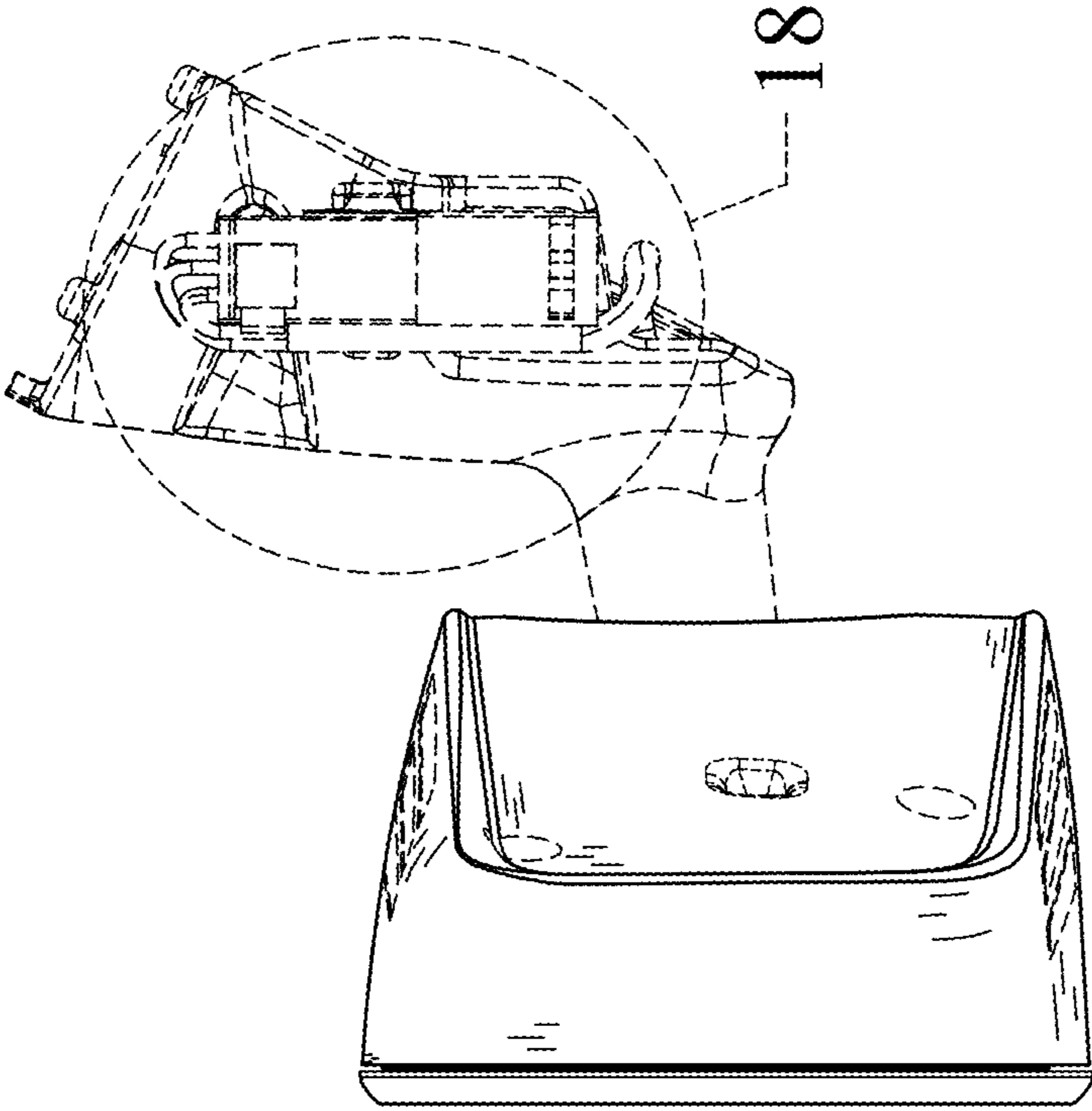


FIG. 6



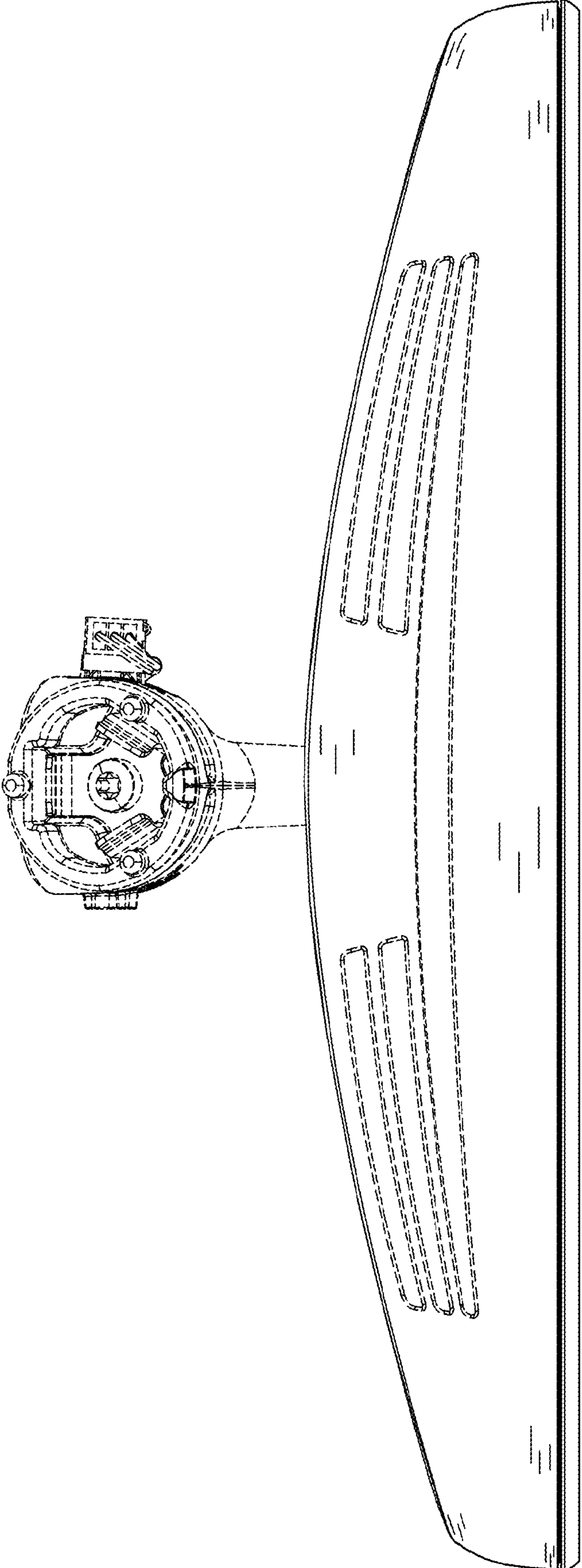


FIG. 7

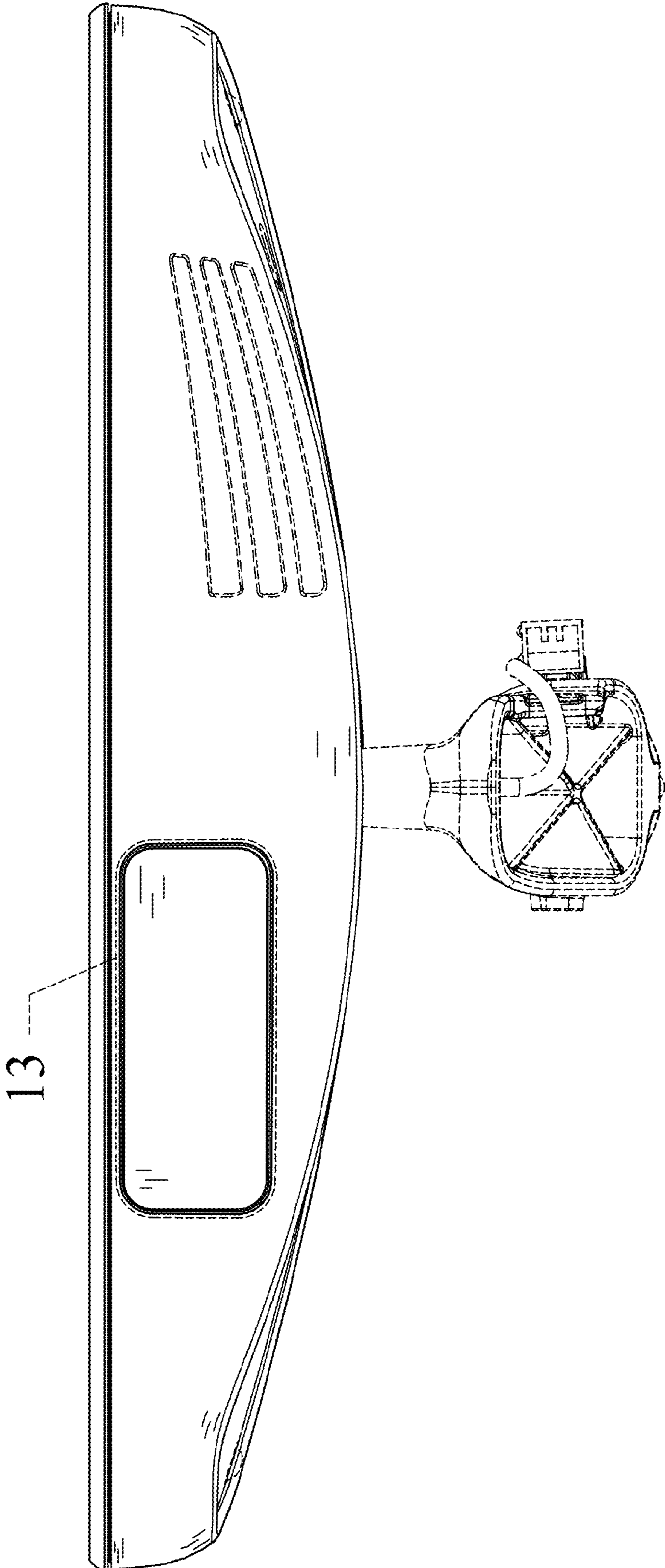


FIG. 8

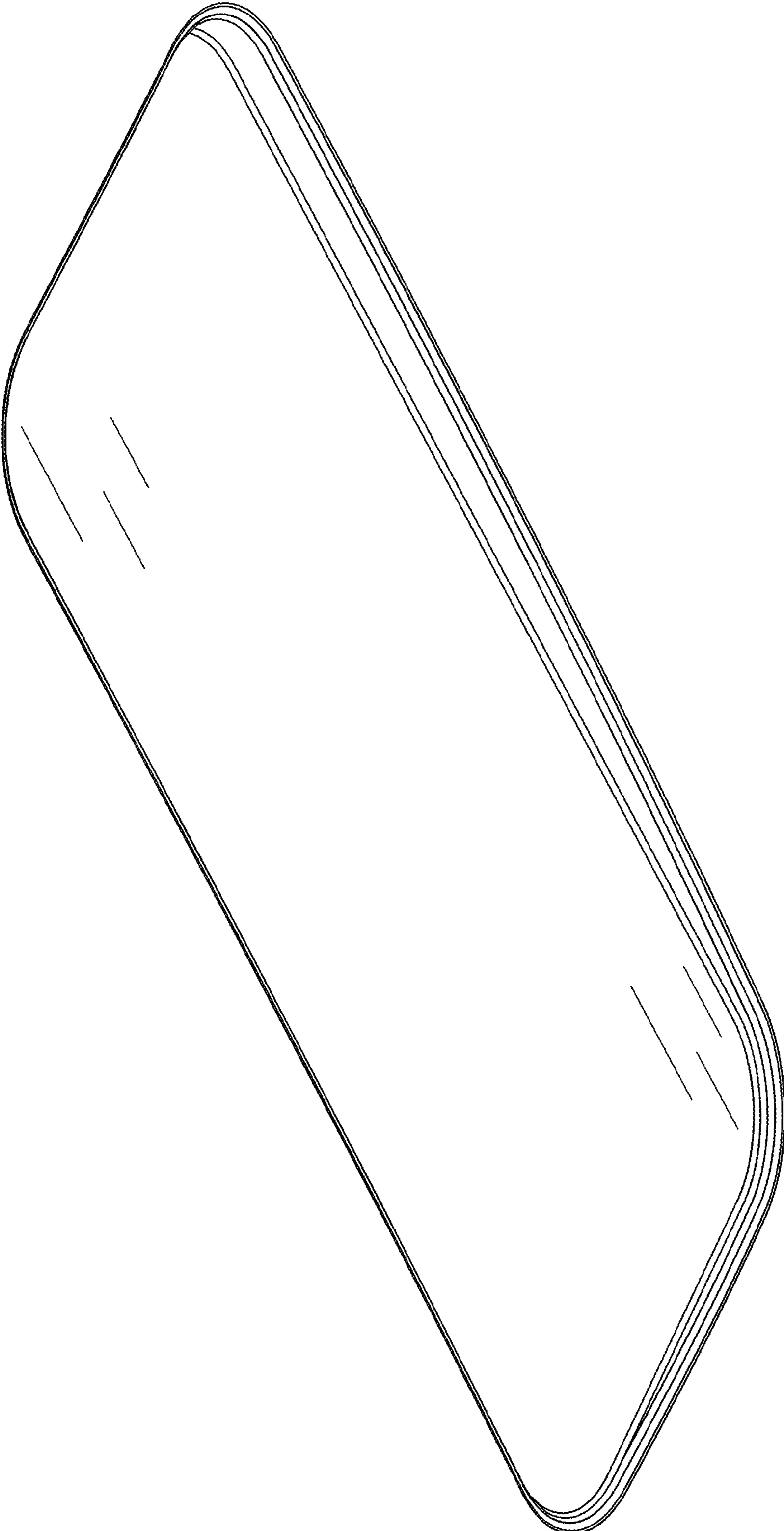


FIG. 9

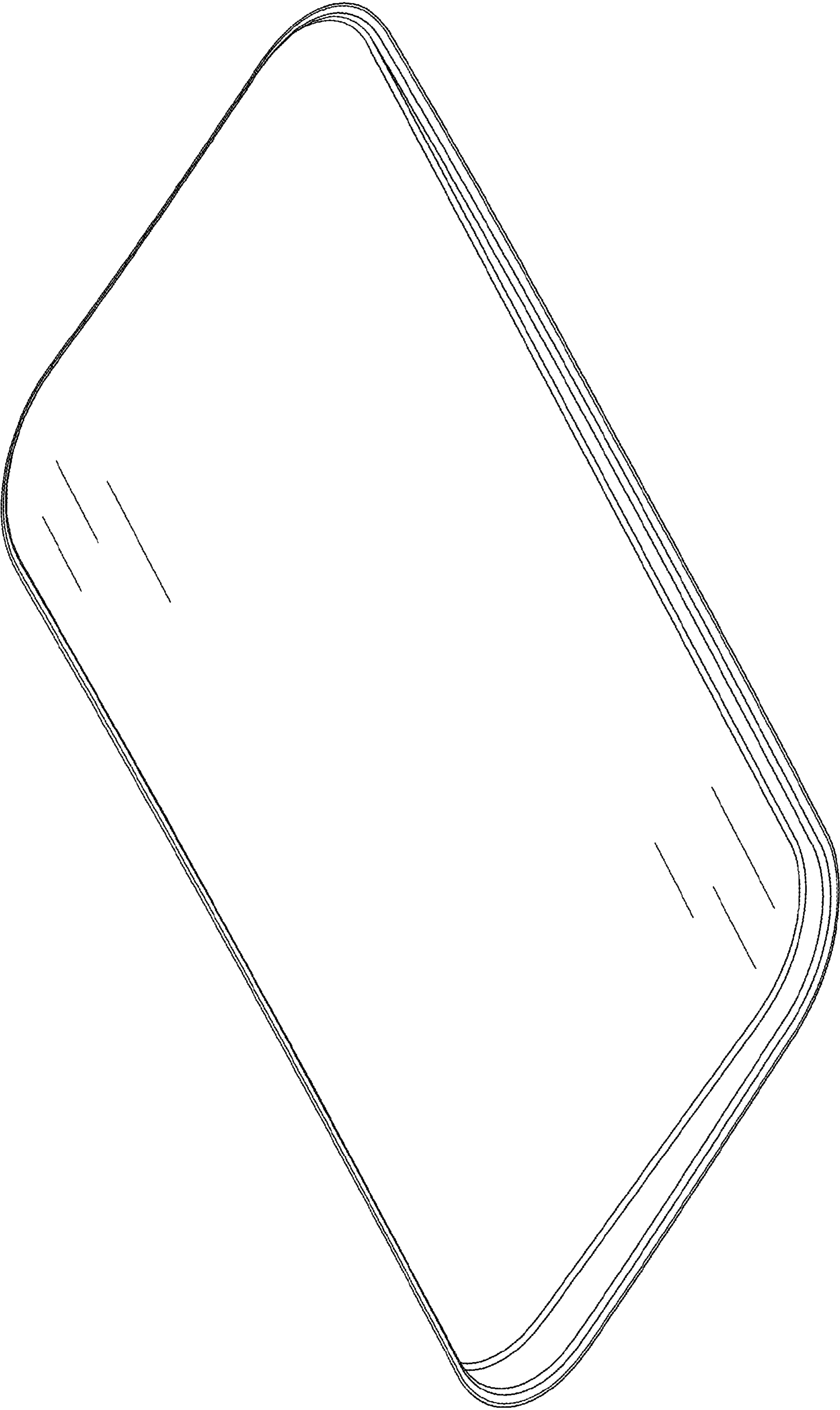


FIG. 10



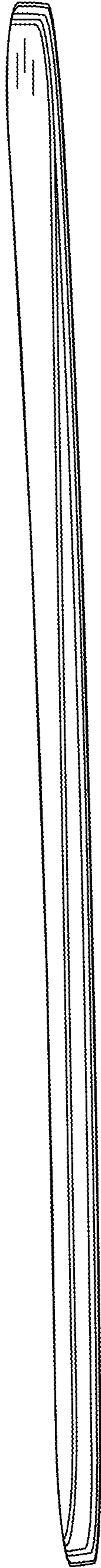


FIG. 11

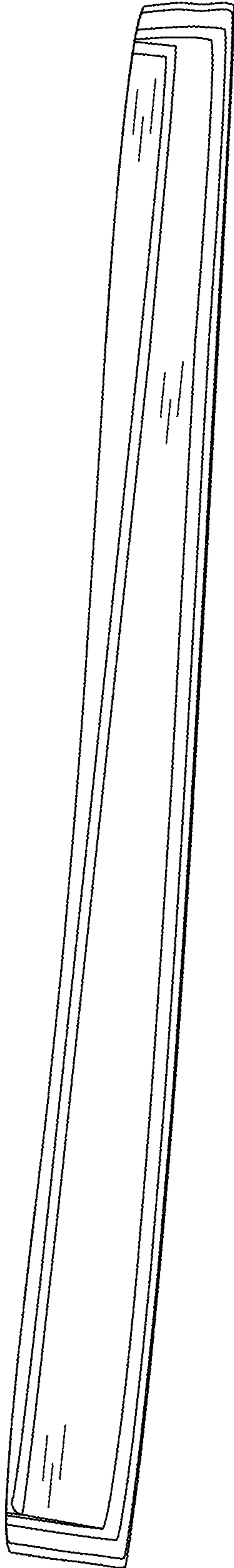


FIG. 12

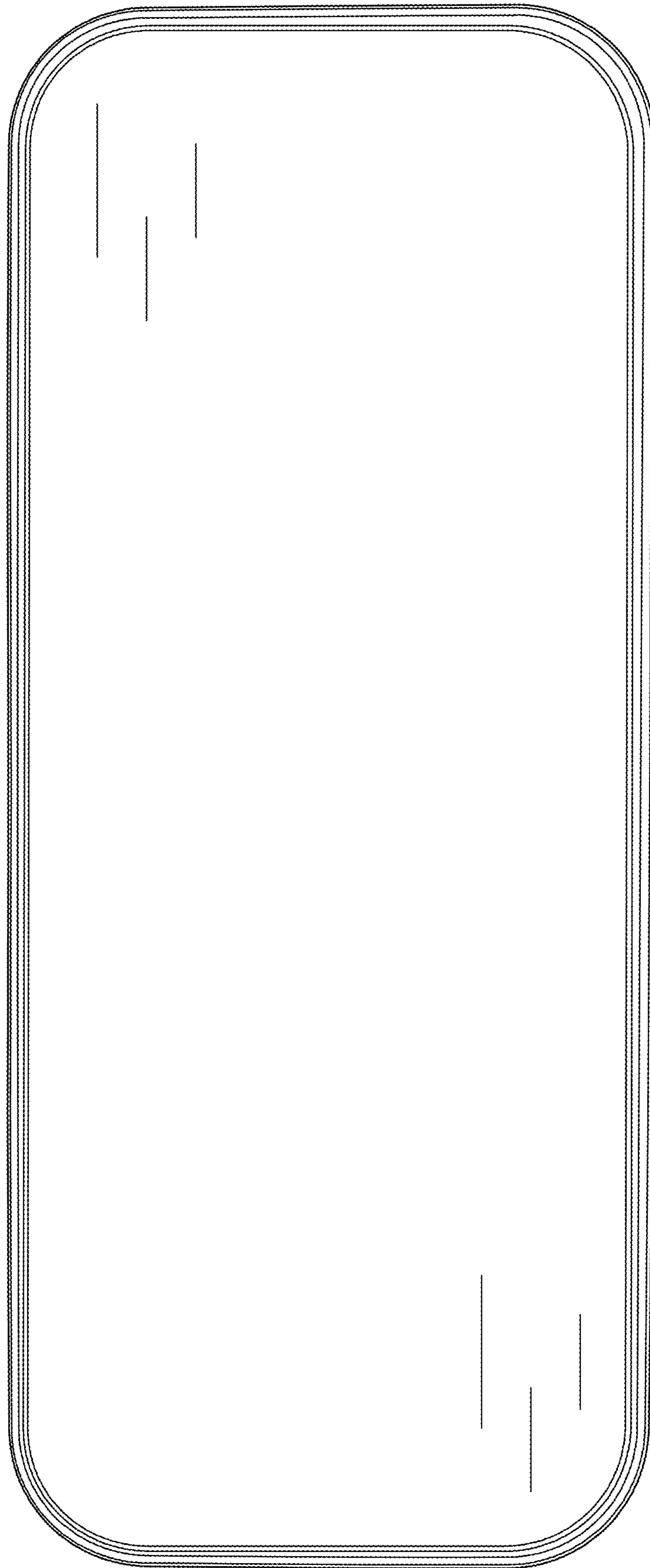


FIG. 13

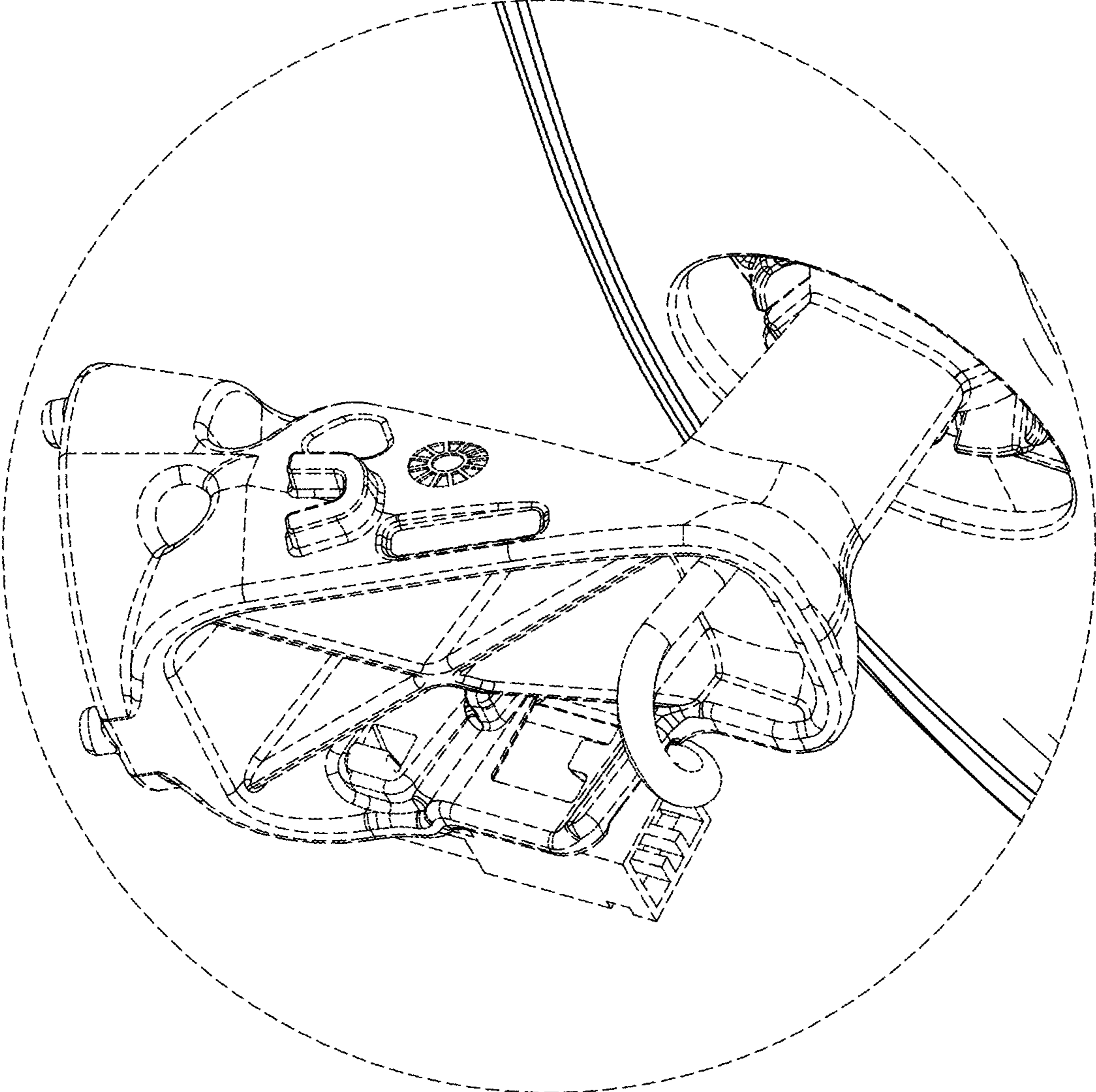


FIG. 14



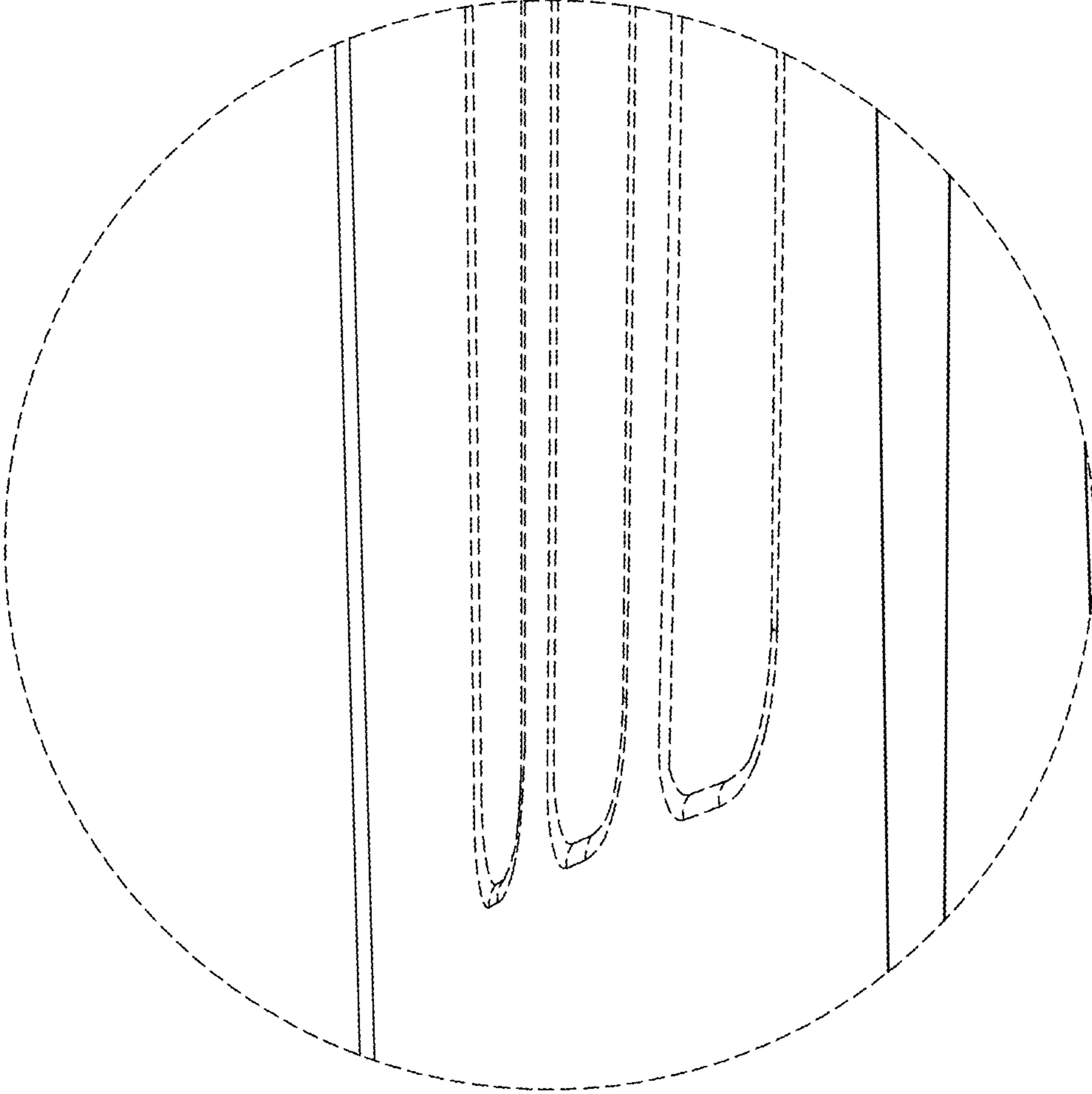


FIG. 15

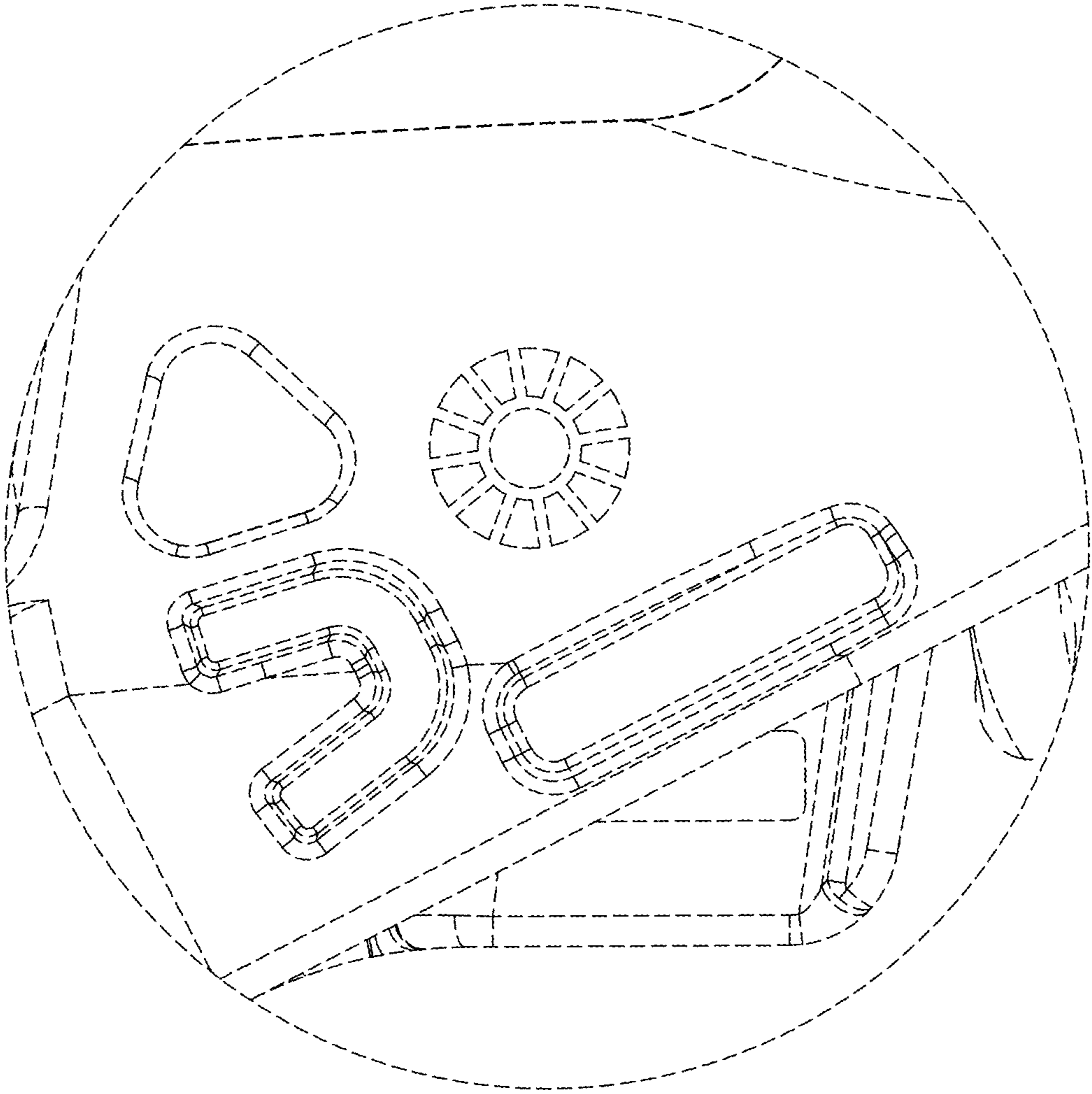


FIG. 16

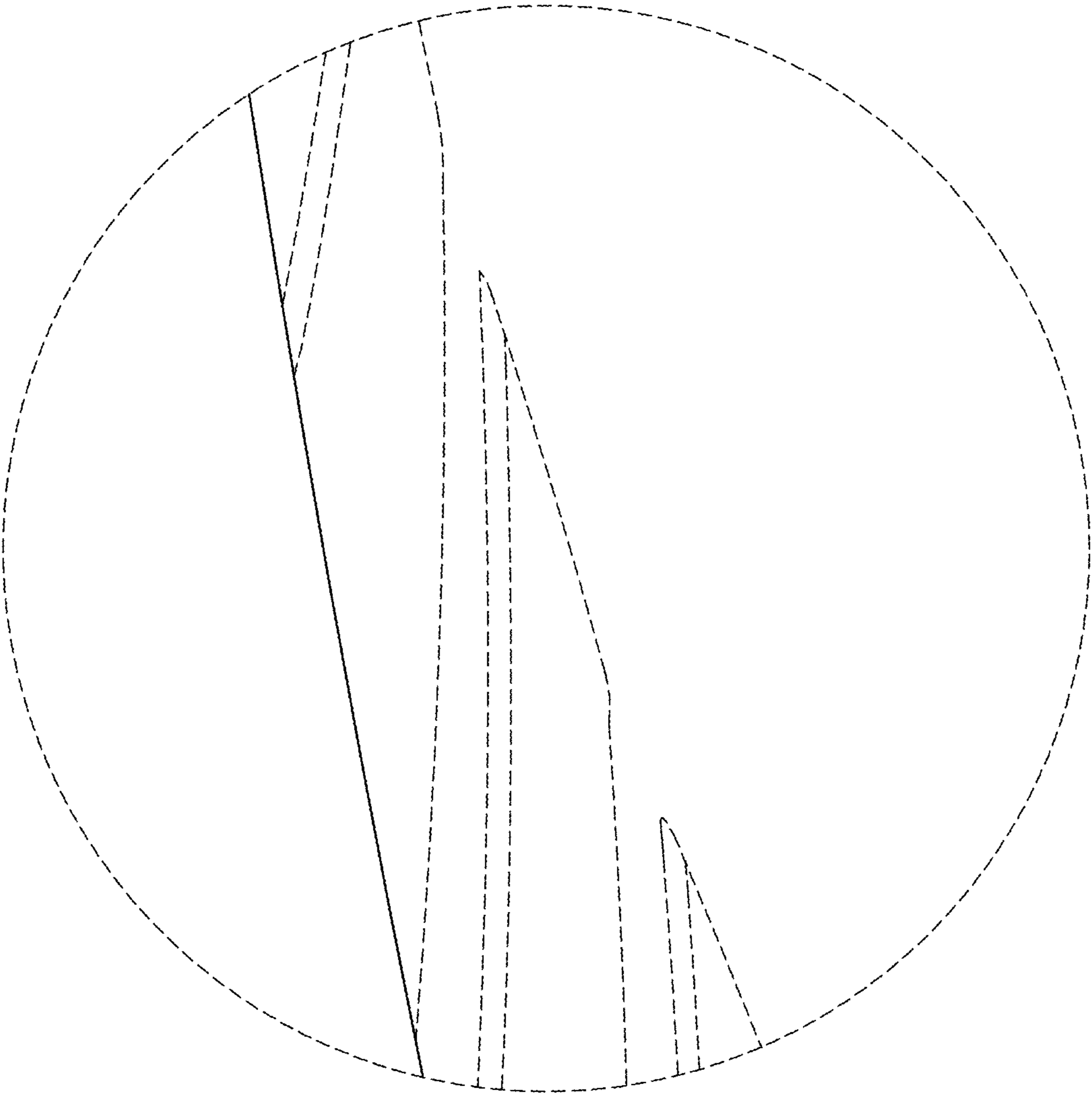


FIG. 17

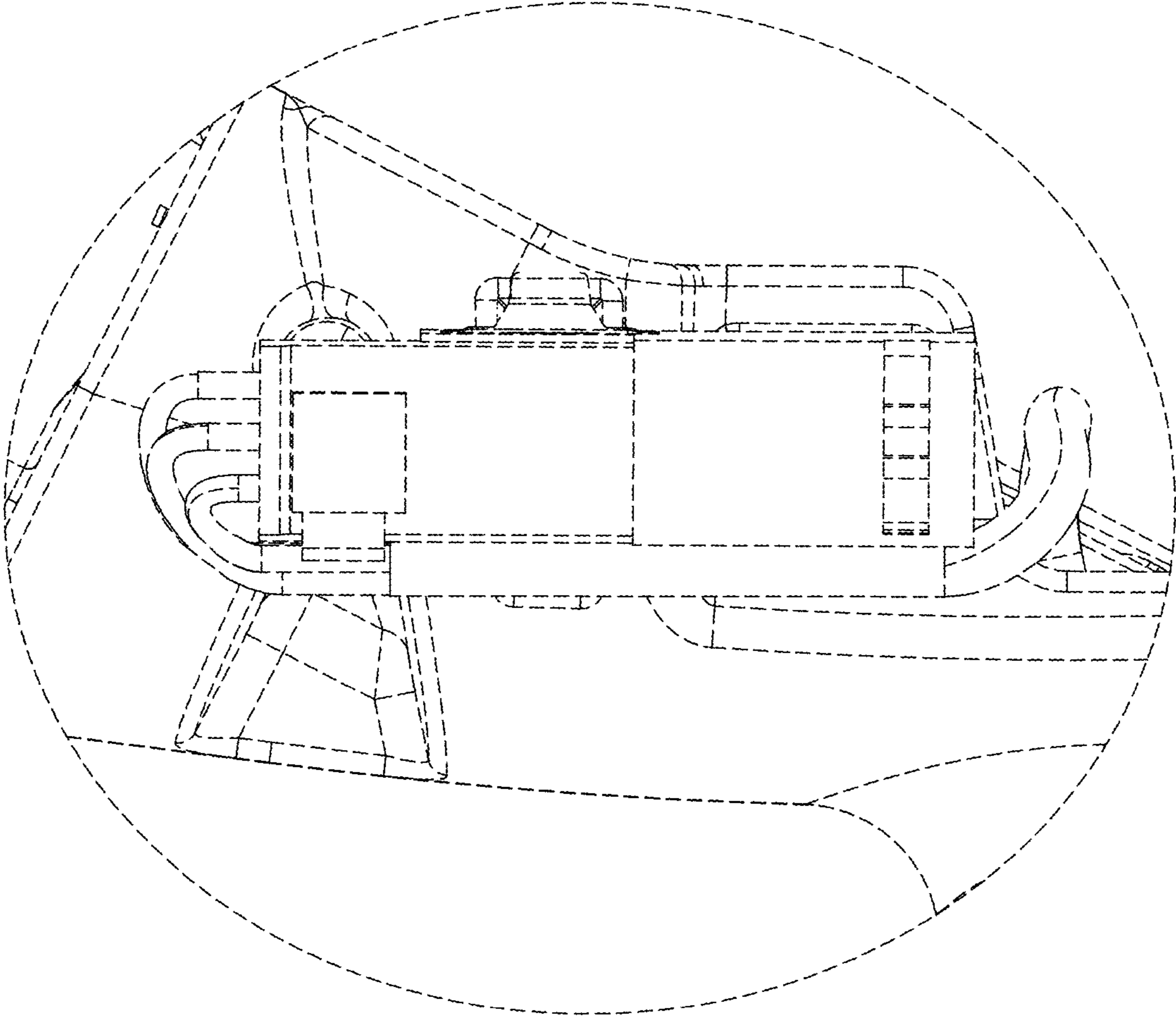


FIG. 18



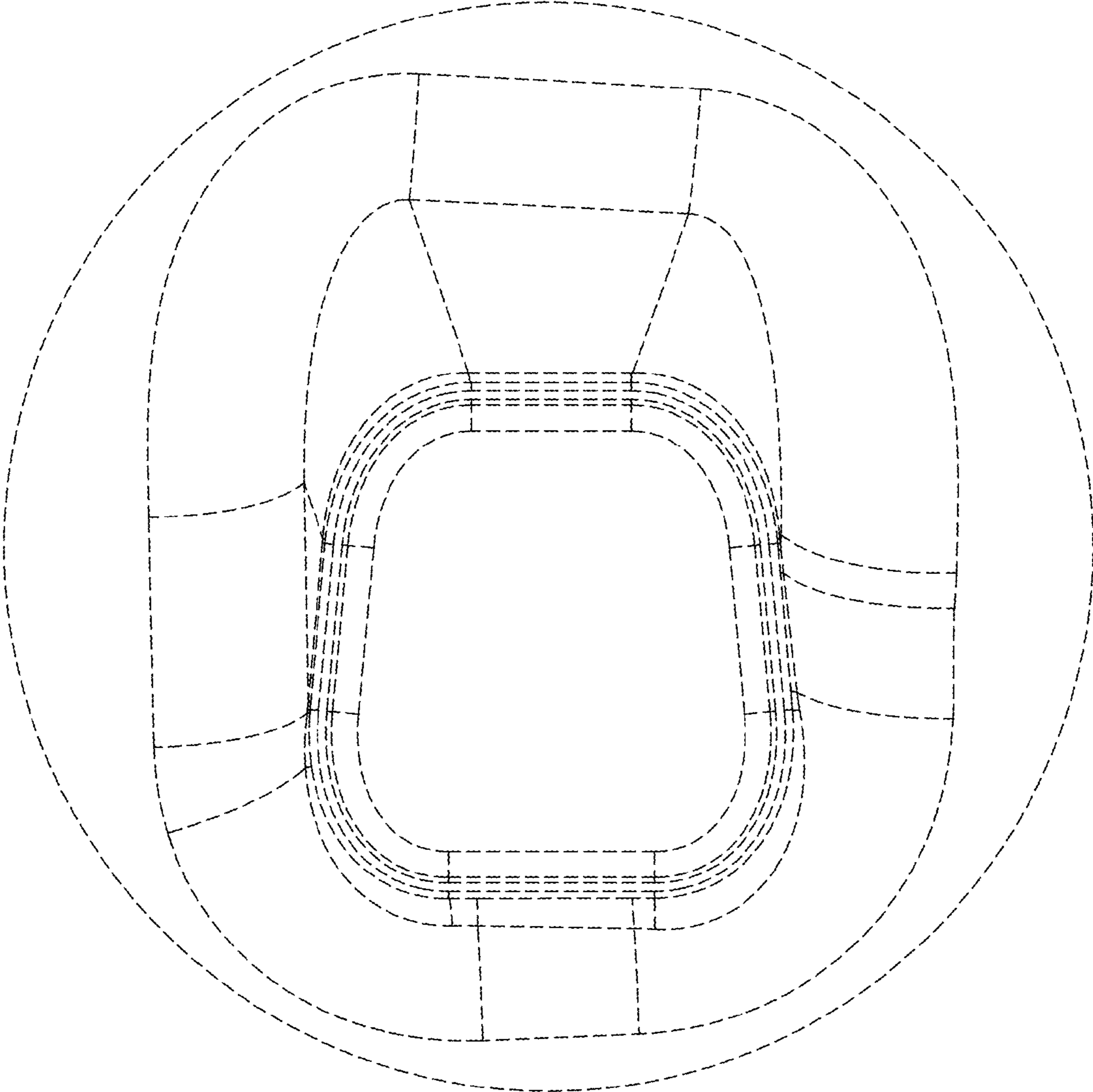


FIG. 19