



US00D977383S

(12) **United States Design Patent** (10) **Patent No.:** **US D977,383 S**
Kim et al. (45) **Date of Patent:** **** Feb. 7, 2023**

(54) **FRONT BUMPER COVER FOR VEHICLES**

(71) Applicants: **HYUNDAI MOTOR COMPANY**,
Seoul (KR); **KIA CORPORATION**,
Seoul (KR)

(72) Inventors: **Myeong-Joo Kim**, Incheon (KR);
Ki-Euk Kim, Hwaseong-si (KR)

(73) Assignees: **Hyundai Motor Company**, Seoul
(KR); **Kia Corporation**, Seoul (KR)

(**) Term: **15 Years**

(21) Appl. No.: **35/512,507**

(22) Filed: **Aug. 24, 2021**

(80) **Hague Agreement Data**

Int. Filing Date: **Aug. 24, 2021**

Int. Reg. No.: **DM/216116**

Int. Reg. Date: **Aug. 24, 2021**

Int. Reg. Pub. Date: **Sep. 10, 2021**

(30) **Foreign Application Priority Data**

Mar. 17, 2021 (KR) 30-2021-0012762

(51) **LOC (14) Cl.** **12-16**

(52) **U.S. Cl.**
USPC **D12/169**

(58) **Field of Classification Search**

USPC D12/169, 196, 86, 90-92, 163, 190, 98,
D12/164; 293/102, 113, 115, 117, 120,
293/193.11; 296/180.1, 180.2

CPC B60R 19/02; B60R 19/04; B62D 25/08
See application file for complete search history.

(56) **References Cited**

U.S. PATENT DOCUMENTS

8,132,851 B2 * 3/2012 Steller B60R 19/12
293/133

8,157,303 B2 * 4/2012 Fortin B60R 19/52
293/115

D817,826 S * 5/2018 Seo D12/169
D855,511 S * 8/2019 Smith D12/169
D870,612 S * 12/2019 Tonello D12/169
D945,929 S * 3/2022 Kim D12/92
D946,474 S * 3/2022 Kim D12/169
D949,045 S * 4/2022 Parvex B60R 19/52
D11/86
D955,294 S * 6/2022 Kim D12/91
D955,306 S * 6/2022 Oh B60R 19/12
D12/169

(Continued)

Primary Examiner — Melody N Brown

(74) Attorney, Agent, or Firm — Fox Rothschild LLP

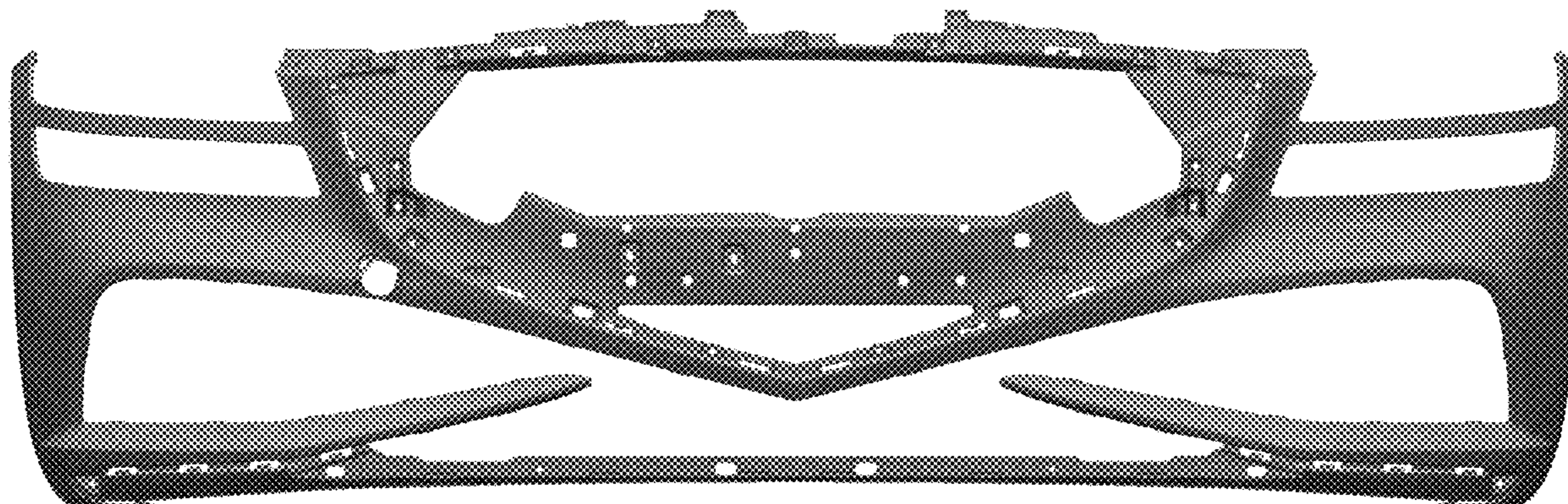
(57) **CLAIM**

The ornamental design for a front bumper cover for vehicles,
as shown and described.

DESCRIPTION

1. Front bumper cover for vehicles
1.1 is a top, front and left side perspective view of a front bumper cover for vehicles showing our new design;
1.2 is a front elevation view thereof;
1.3 is a top, rear and right side perspective view thereof;
1.4 is a right side elevation view thereof;
1.5 is a left side elevation view thereof;
1.6 is a top plan view thereof;
1.7 is a bottom plan view thereof; and,
1.8 is a top, rear and right side perspective view thereof.
1.1 is a top, front, and left side perspective view of a front bumper cover for vehicles embodying our new design; 1.2 is a front elevation view thereof; 1.3 is a rear elevation view thereof; 1.4 is a right side elevation view thereof; 1.5 is a left side elevation view thereof; 1.6 is a top plan view thereof; 1.7 is a bottom plan view thereof; and 1.8 is a top, rear, and left side perspective view thereof; this article is mounted on the front of vehicles, and is used to reduce the shock transmitted to the vehicle in the event of collision.

1 Claim, 8 Drawing Sheets



(56)

References Cited

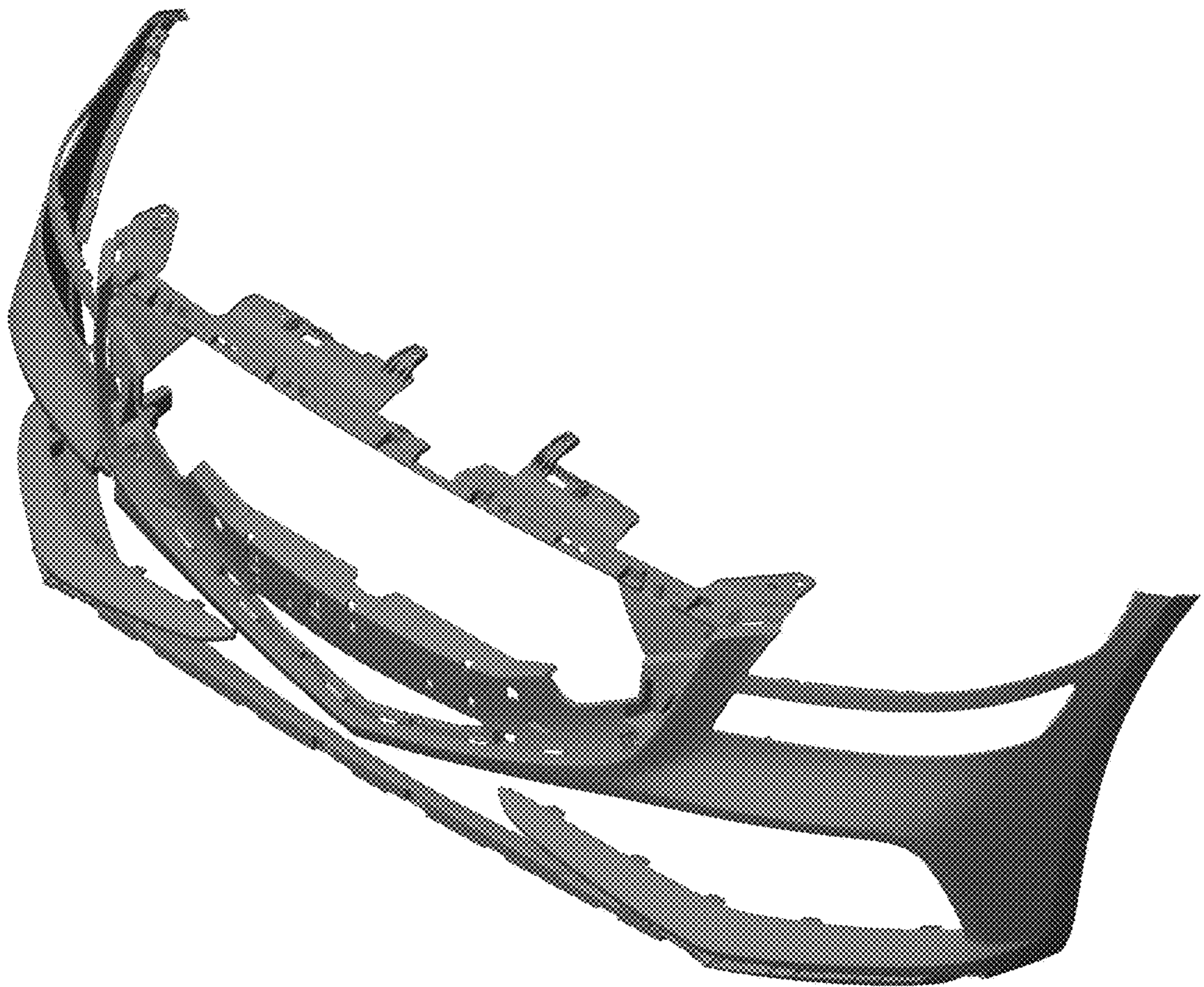
U.S. PATENT DOCUMENTS

D955,943 S * 6/2022 Oh B60R 19/12
D12/169

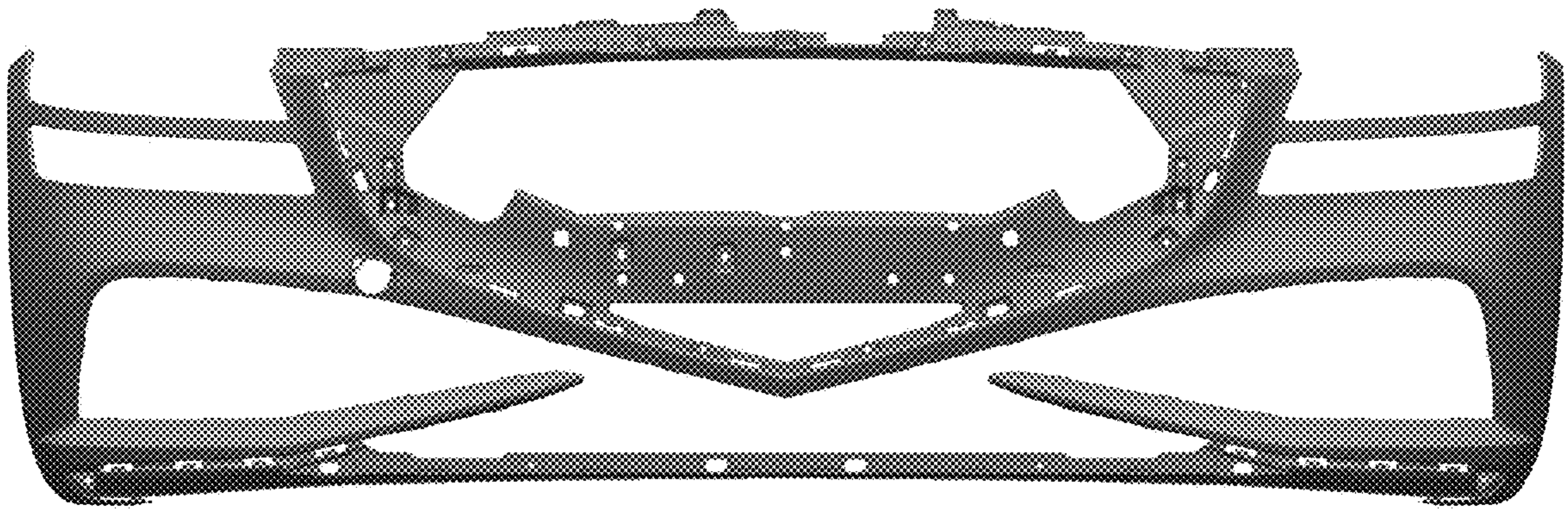
D959,332 S * 8/2022 Kim D12/91

* cited by examiner

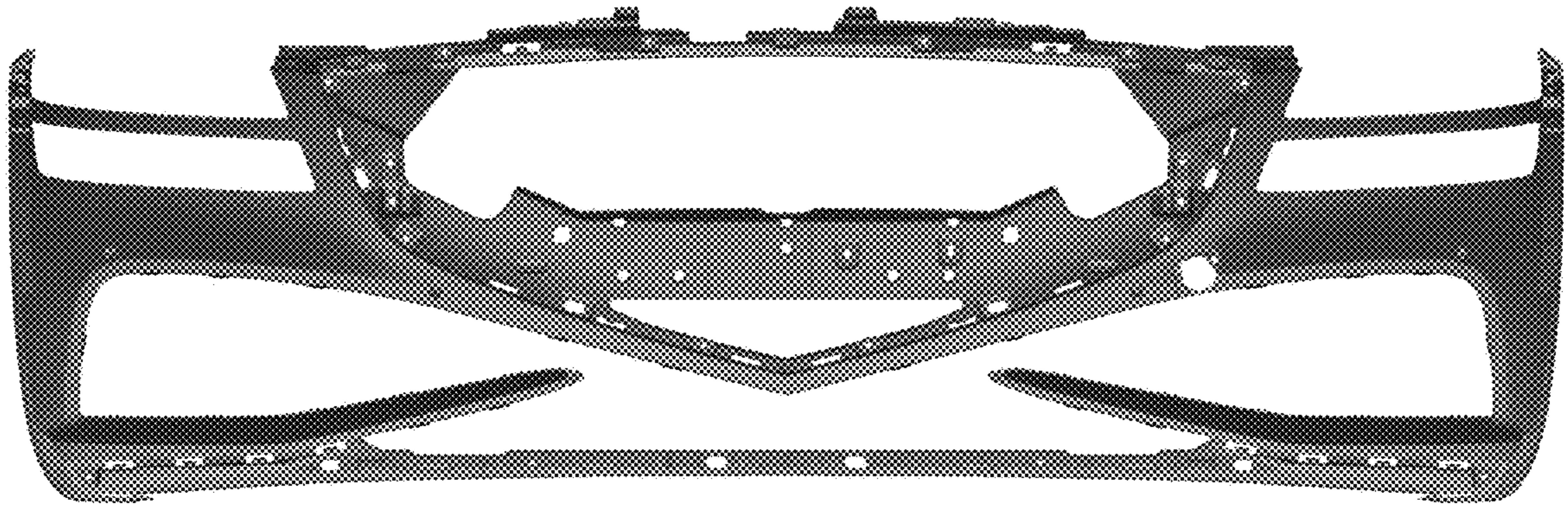
1.1



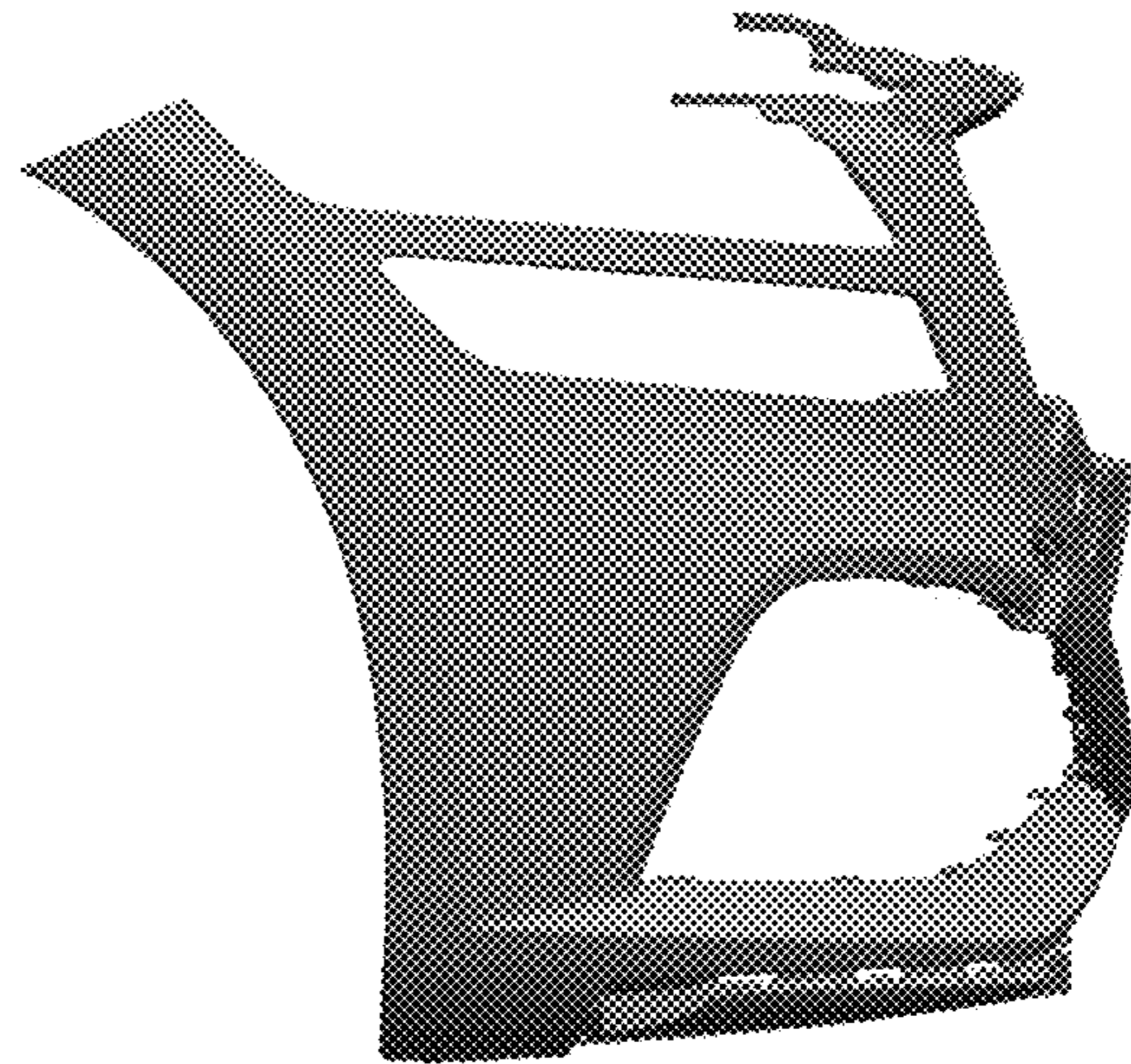
1.2



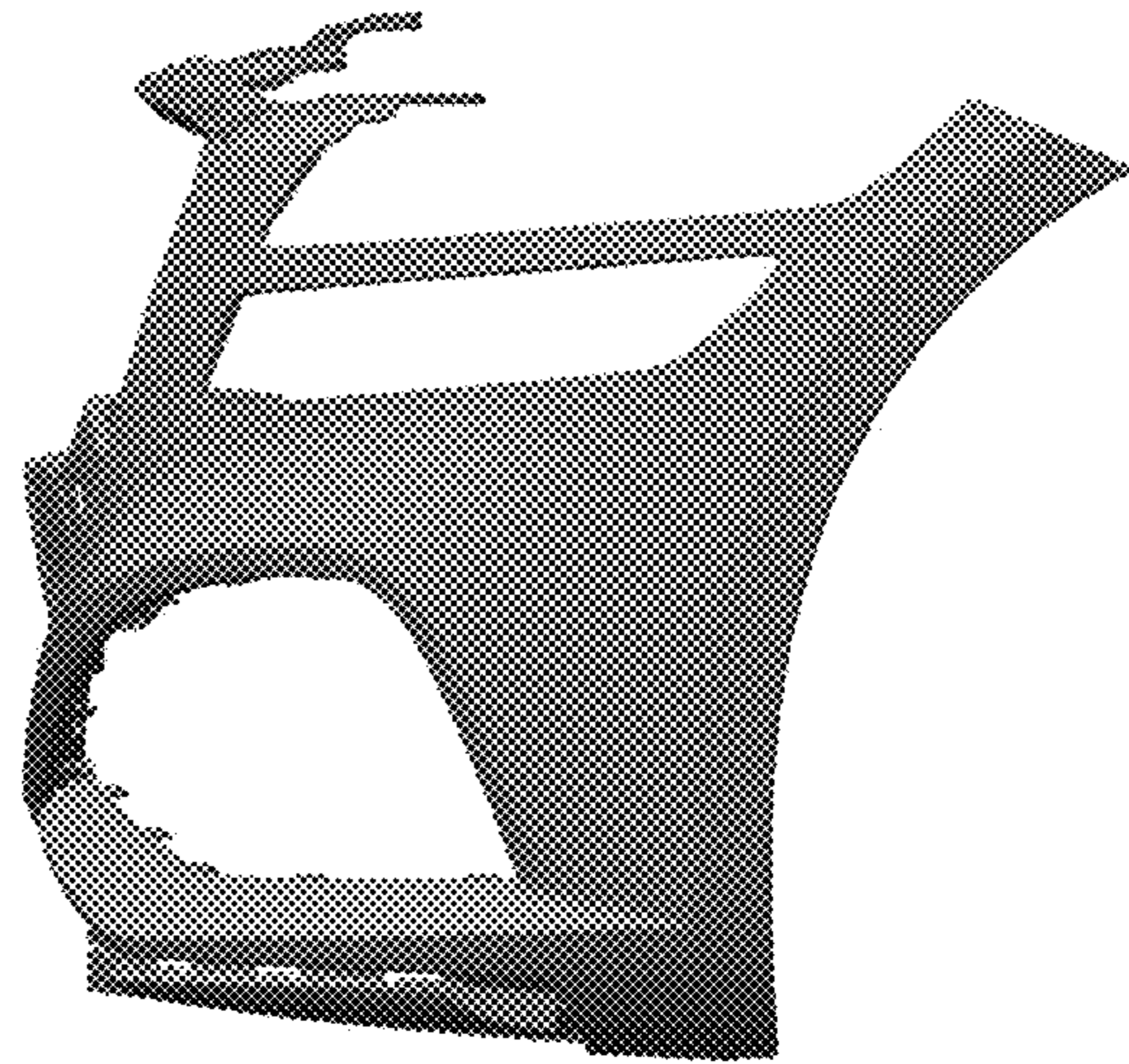
1.3



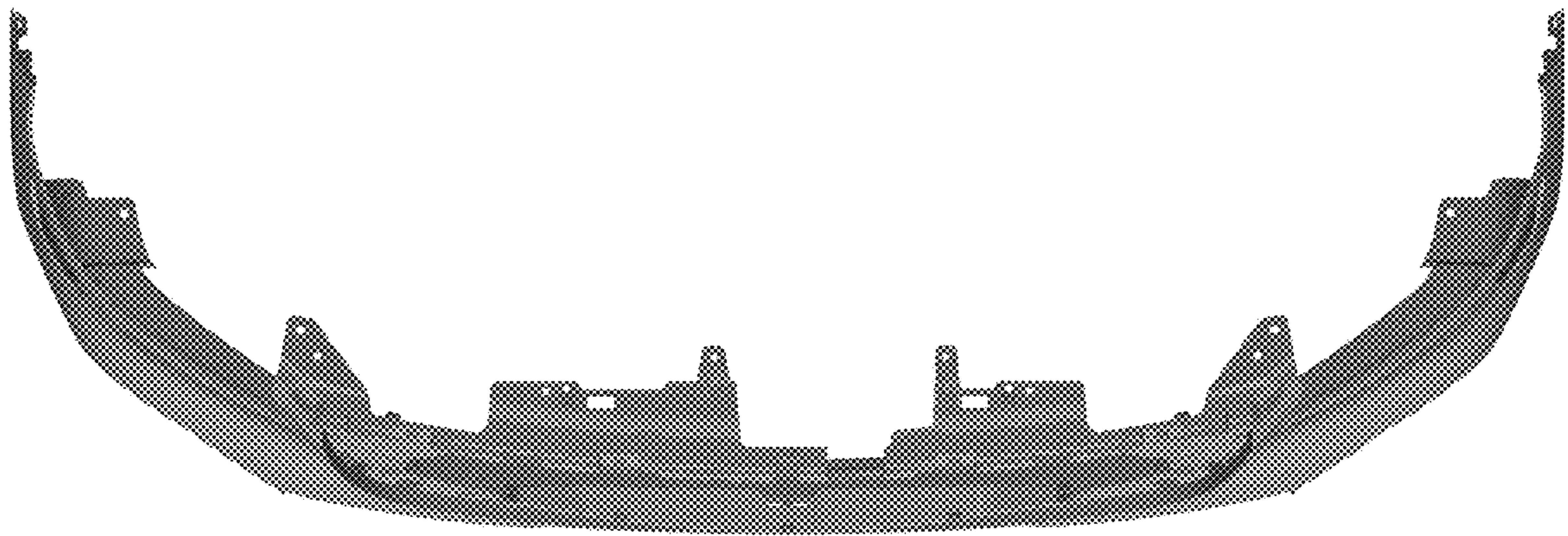
1.4



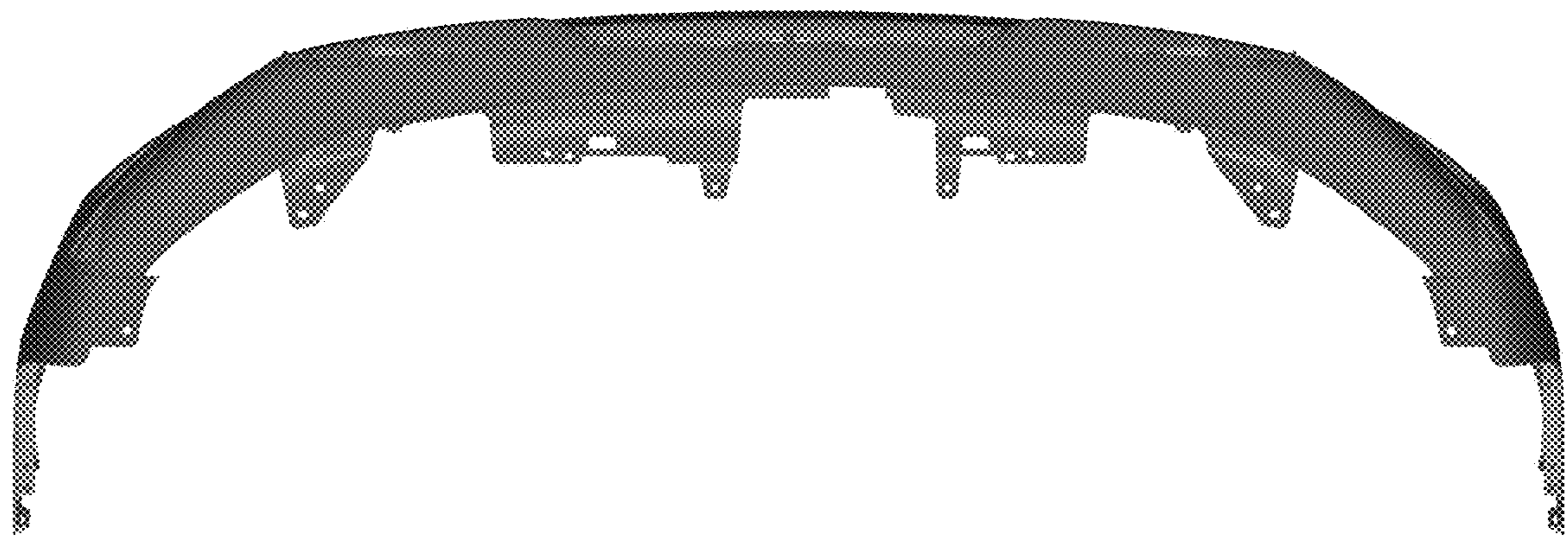
1.5



1.6



1.7



1.8

