



US00D977382S

(12) **United States Design Patent**
Kim et al.

(10) **Patent No.:** **US D977,382 S**

(45) **Date of Patent:** **** Feb. 7, 2023**

- (54) **FRONT BUMPER SKID PLATE**
- (71) Applicant: **Canoo Technologies Inc.**, Torrance, CA (US)
- (72) Inventors: **Richard Kim**, Los Angeles, CA (US); **Jackson E. Luttig**, Rancho Palos Verdes, CA (US); **Iliya Bridan**, Torrance, CA (US); **Mark Smith**, Torrance, CA (US); **Brian E. Spencer**, Lakewood, CA (US); **Mike de Jung**, Torrance, CA (US)
- (73) Assignee: **Canoo Technologies Inc.**, Torrance, CA (US)
- (**) Term: **15 Years**
- (21) Appl. No.: **29/788,535**
- (22) Filed: **Jun. 17, 2021**
- (51) **LOC (14) Cl.** **12-16**
- (52) **U.S. Cl.**
USPC **D12/169**
- (58) **Field of Classification Search**
USPC D12/86, 90, 91, 92, 163, 169, 171, 196, D12/216
CPC B60R 19/02; B60R 19/04; B60R 19/12; B60R 19/52; B60K 11/08; B62D 25/08
See application file for complete search history.

D769,163 S *	10/2016	Platto	D12/196
D857,575 S *	8/2019	Harriton	D12/196
D877,014 S *	3/2020	Harriton	D12/196
D902,818 S *	11/2020	Choi	D12/196
D903,567 S *	12/2020	Choi	D12/196
D928,679 S *	8/2021	Liang	D12/196

OTHER PUBLICATIONS

Skid Plates (Design—© Questel) orbit.com. [Online PDF compilation of references] 35 pgs. Print Dates Range Oct. 18, 2021-Jun. 12, 2015 [Retrieved Sep. 16, 2022].*

(Continued)

Primary Examiner — George D. Kirschbaum

Assistant Examiner — Suzanne E Tisdell

(57) **CLAIM**

The ornamental design for a front bumper skid plate, as shown and described.

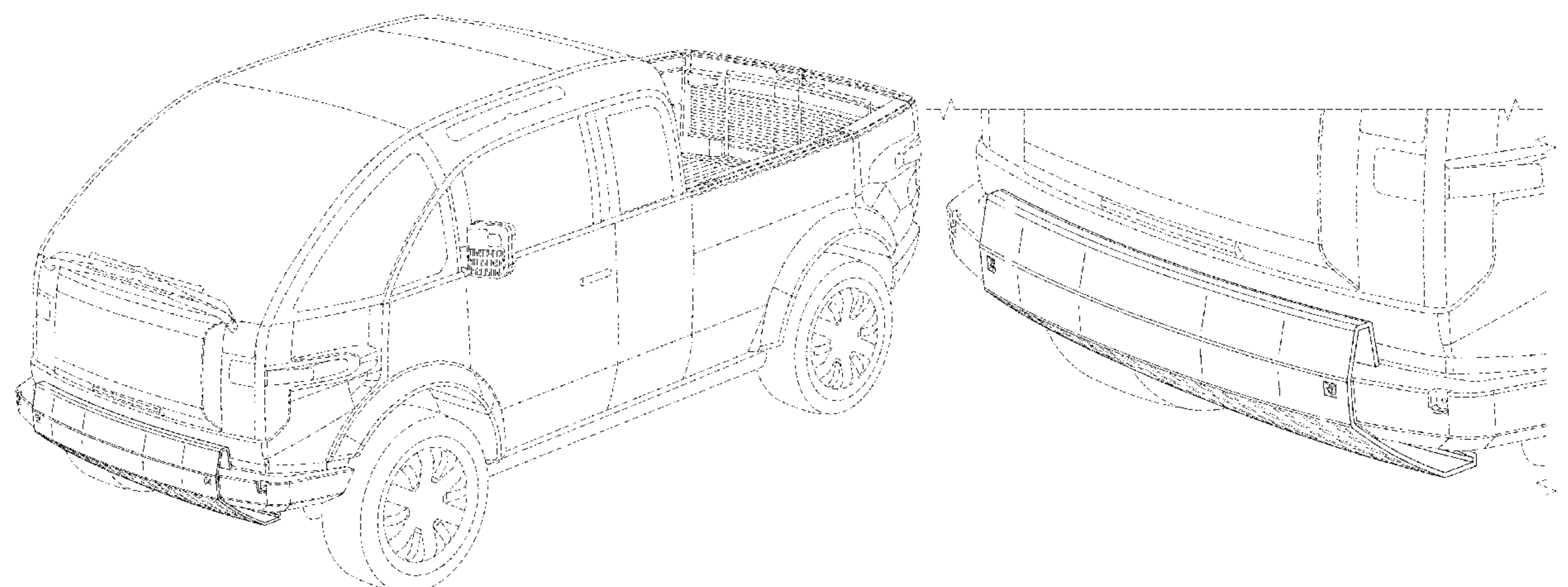
DESCRIPTION

FIG. 1 is a front perspective view of a front bumper skid plate on a vehicle;
 FIG. 2 is an enlarged view of the portion of FIG. 1 depicting the front bumper skid plate;
 FIG. 3 is a front orthogonal view of the front bumper skid plate;
 FIG. 4 is a left side orthogonal view of the front bumper skid plate, where the right side orthogonal view is substantially a mirror image;
 FIG. 5 is a top orthogonal view of the front bumper skid plate; and,
 FIG. 6 is a bottom orthogonal view of the front bumper skid plate.

The broken lines present in the drawings are included for the purpose of illustrating portions of the article which form no part of the claimed design.

1 Claim, 6 Drawing Sheets

- (56) **References Cited**
U.S. PATENT DOCUMENTS
- D274,803 S * 7/1984 Hughes D15/5
- D335,484 S * 5/1993 Moyle D12/317
- D474,726 S * 5/2003 Weber D12/14
- D487,041 S * 2/2004 Schlachter D12/196
- D616,797 S * 6/2010 Lamm D12/196
- D690,639 S * 10/2013 Messale D12/196
- D743,856 S * 11/2015 Ma D12/171



(56)

References Cited

OTHER PUBLICATIONS

Padeanu, Adrian. Canoo Electric Pickup Revealed With Pull-Out Bed And Side Storage. Mar. 11, 2021. Motor 1. <https://www.motor1.com/news/493673/canoo-electric-pickup-truck-reveal/>.*

Valdes-Dapena, Peter. Canoo unveils what might be the world's cutest electric pickup. Mar. 12, 2021. CNN Business. <https://www.cnn.com/2021/03/11/cars/canoo-electric-pickup-truck/index.html>.*

Sabina Aouf, Rima. Canoo's electric and extendable Pickup truck includes pop-out workspaces. Nov. 9, 2021. Dezeen. <https://www.dezeen.com/2021/11/09/canoo-electric-extendable-pickup-truck-design/>.*

* cited by examiner

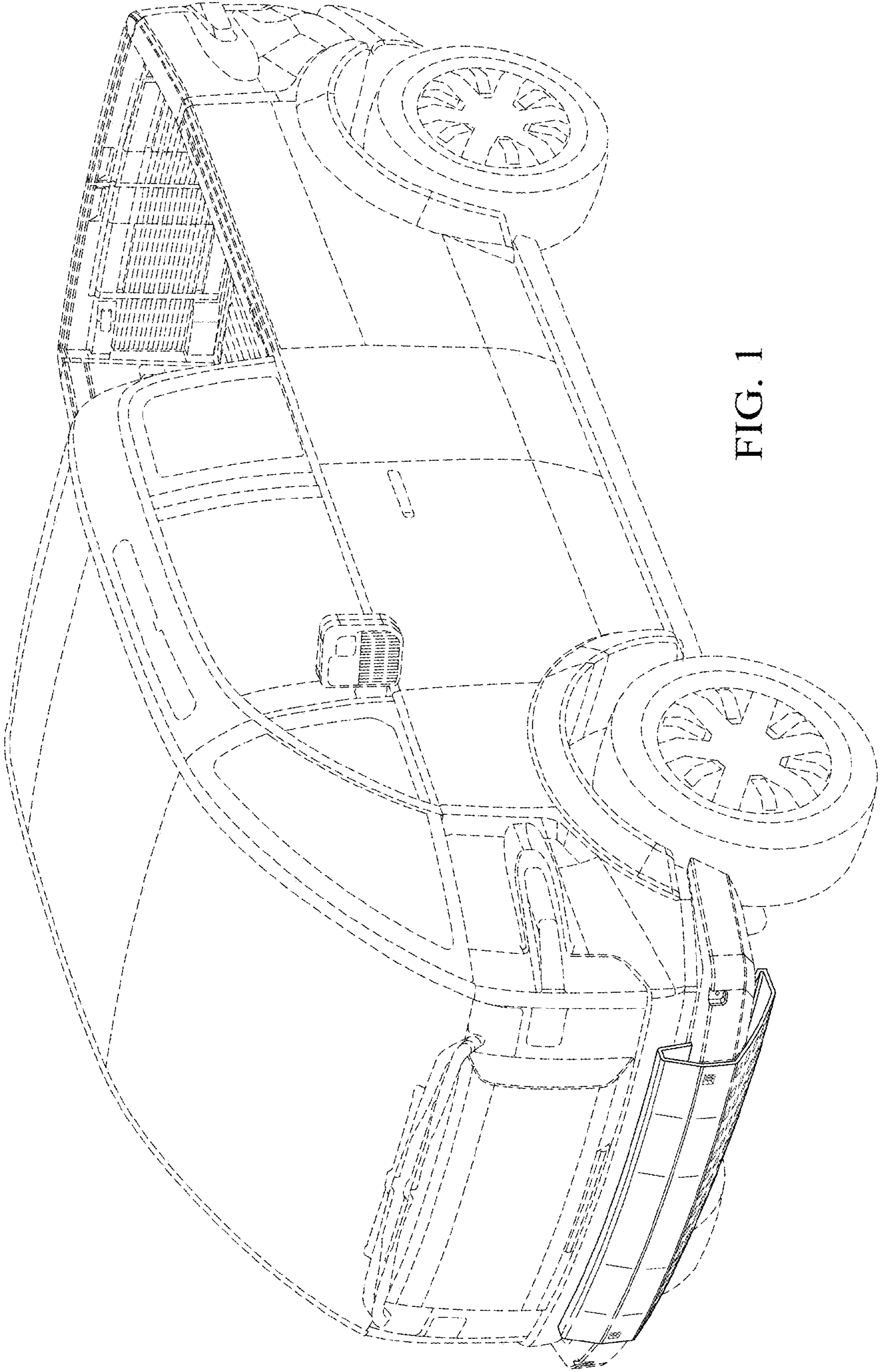


FIG. 1

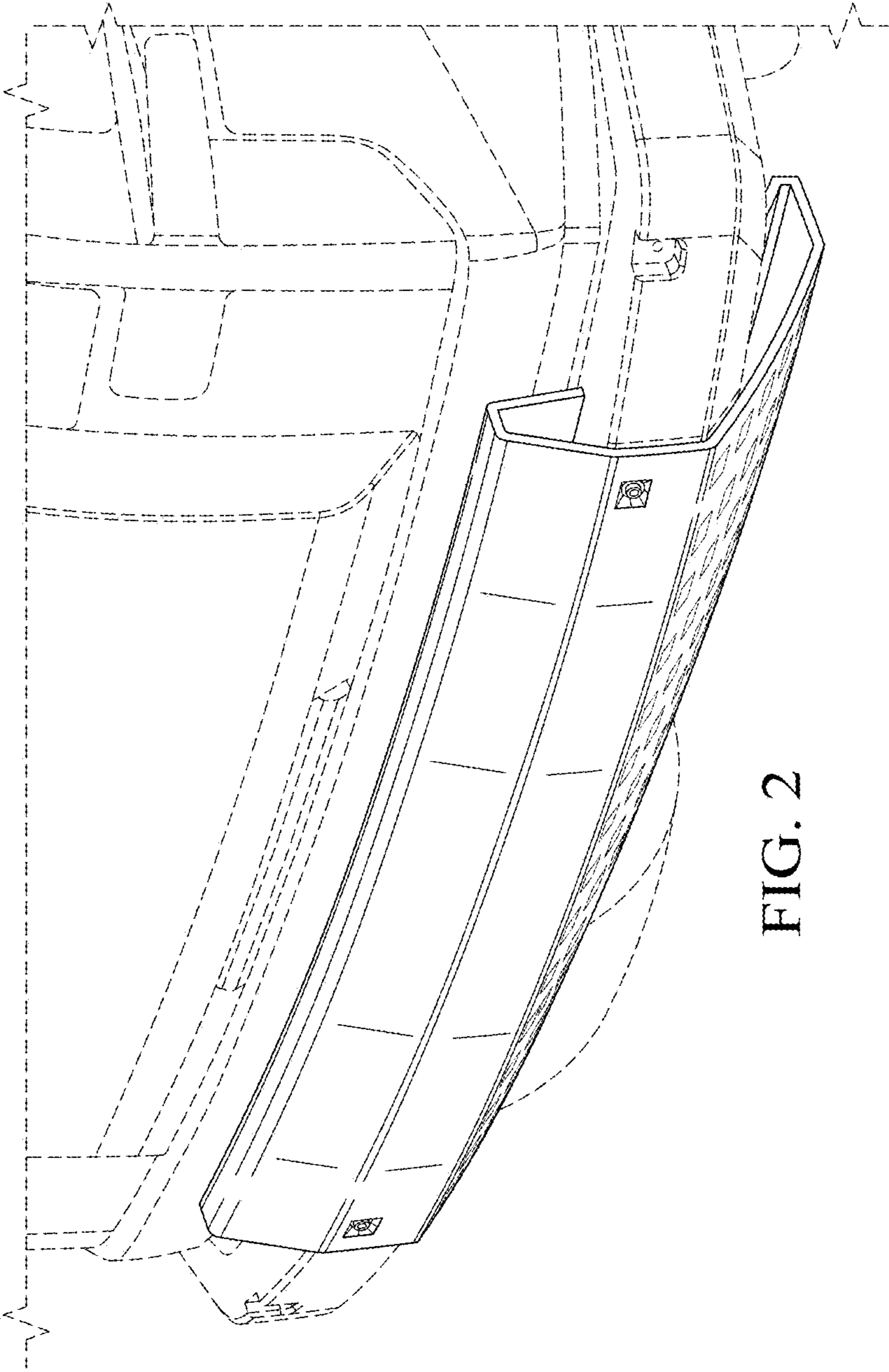


FIG. 2

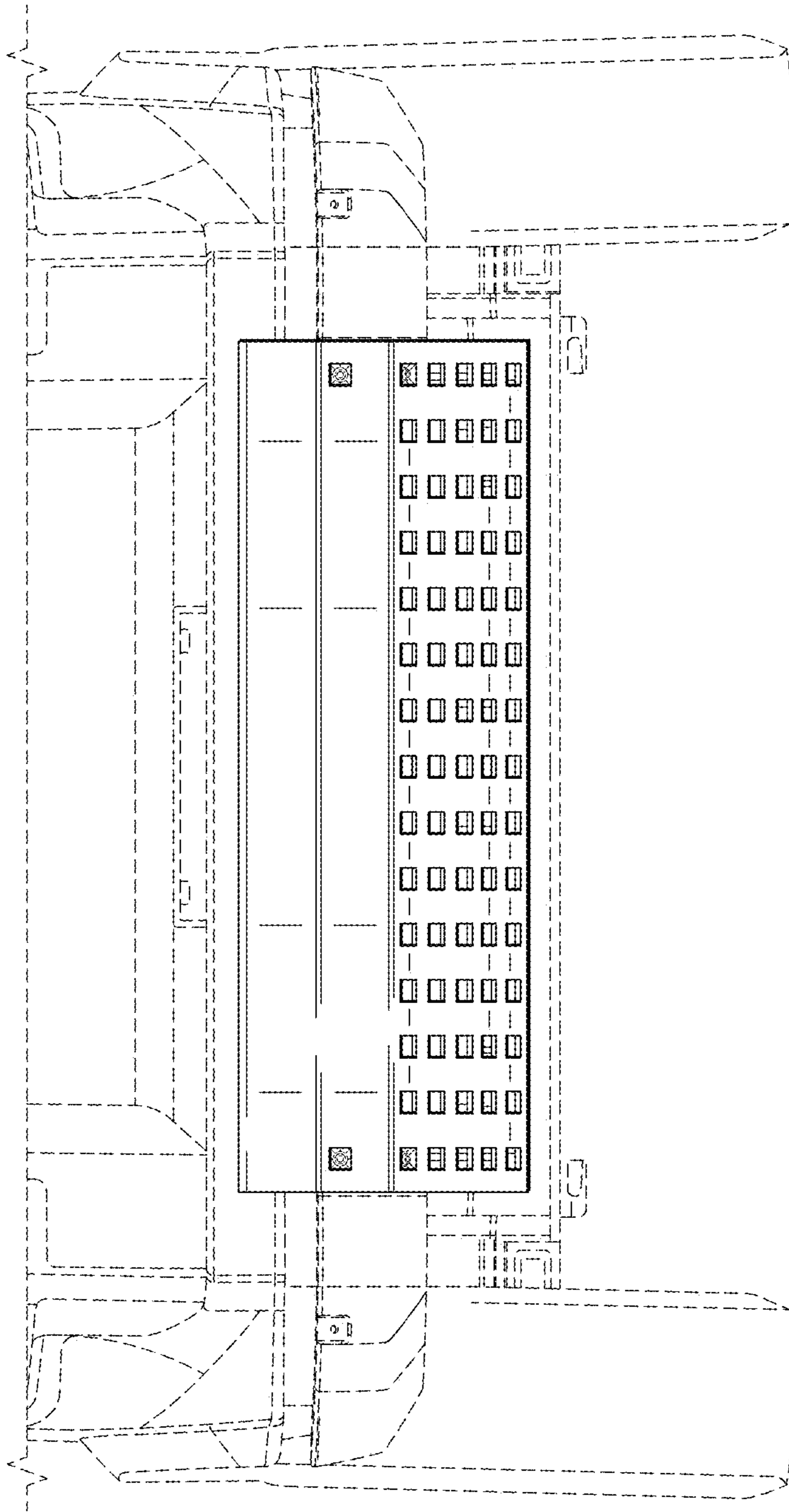


FIG. 3

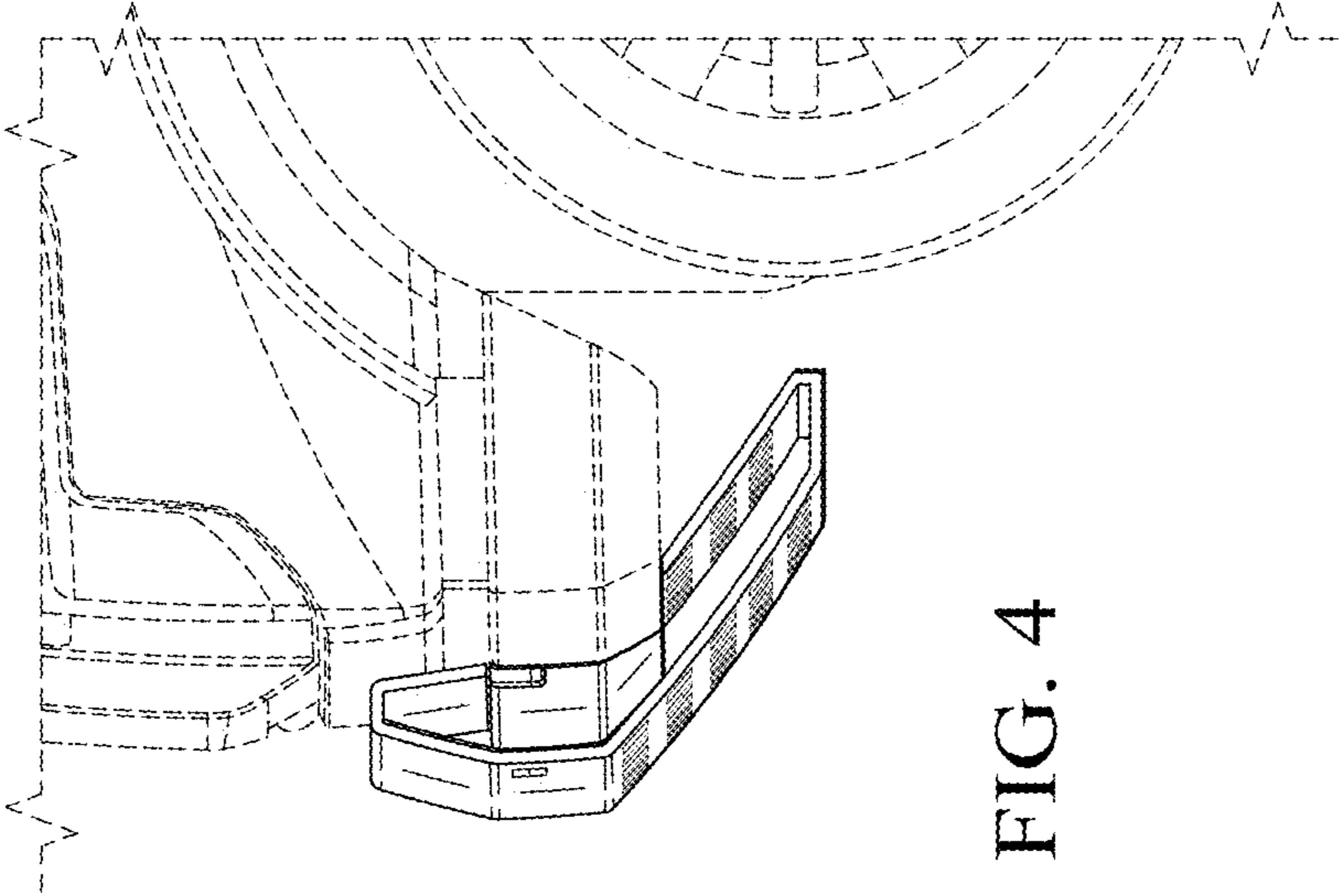


FIG. 4

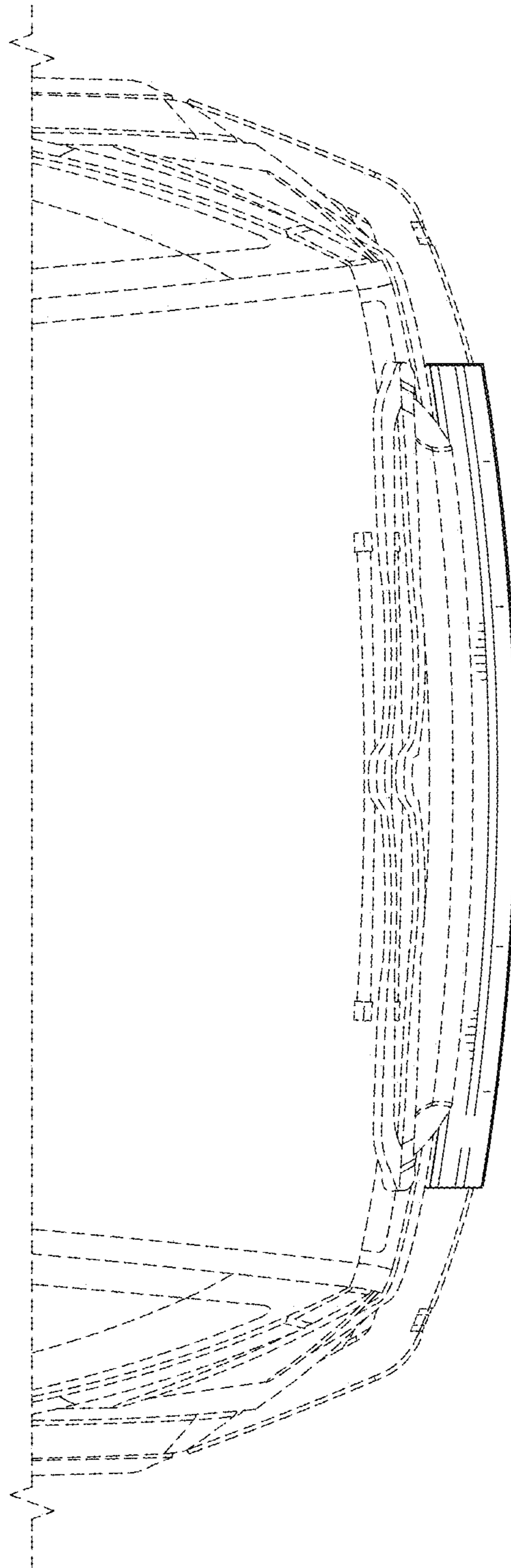


FIG. 5

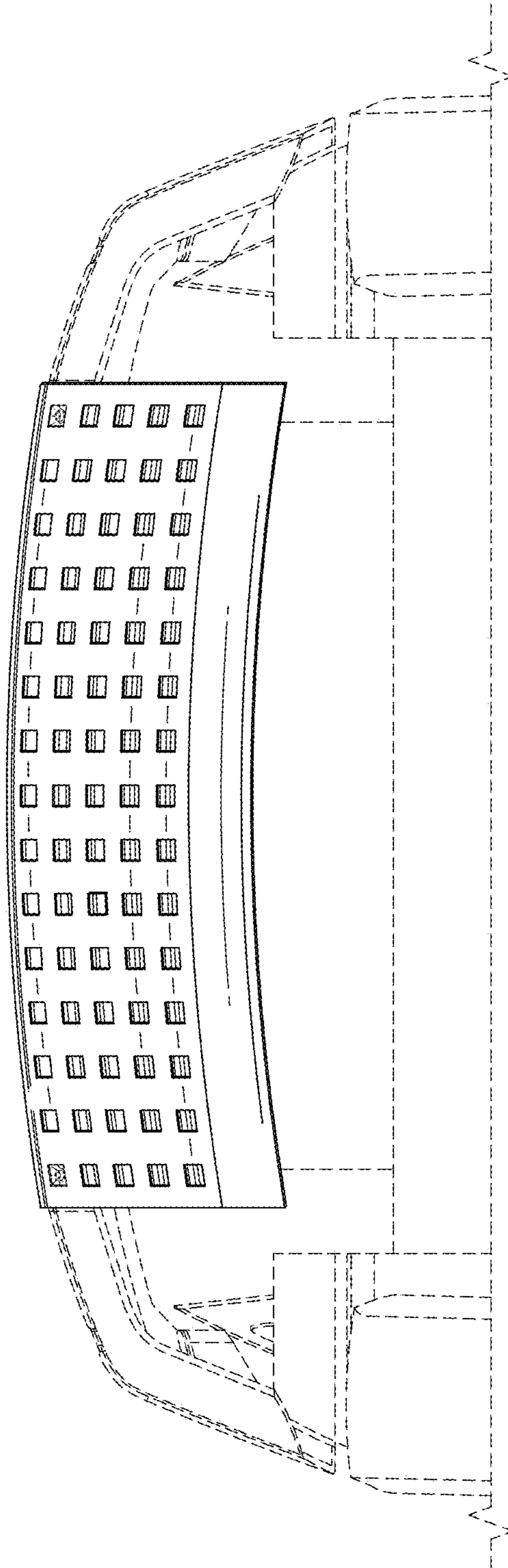


FIG. 6