



US00D977377S

(12) **United States Design Patent** (10) **Patent No.:** **US D977,377 S**  
**Tao** (45) **Date of Patent:** **\*\* Feb. 7, 2023**

(54) <b>TRACTOR SHACKLE</b>	7,412,856 B1 * 8/2008 Gogel ..... E05B 67/38 70/56
(71) Applicant: <b>Xiaomeng Tao</b> , Pingdu (CN)	D620,501 S 7/2010 Ergodan et al.
(72) Inventor: <b>Xiaomeng Tao</b> , Pingdu (CN)	D863,124 S 10/2019 Siegel
(73) Assignee: <b>QINGDAO HONGMAI MACHINERY CO., LTD.</b> , Shandong (CN)	D898,628 S * 10/2020 Sagen ..... D12/162
(**) Term: <b>15 Years</b>	D904,237 S * 12/2020 Qiu ..... D12/162
(21) Appl. No.: <b>29/865,329</b>	D906,187 S * 12/2020 Foeldesi ..... D12/162
(22) Filed: <b>Jul. 19, 2022</b>	D914,552 S * 3/2021 Babar ..... D12/162
(30) <b>Foreign Application Priority Data</b>	D920,855 S * 6/2021 Wiczorek ..... D12/162
Jun. 15, 2022 (CN) ..... 202230365375.3	D962,832 S * 9/2022 Huang ..... D12/162
(51) <b>LOC (14) Cl.</b> ..... <b>12-16</b>	D964,223 S * 9/2022 Olaru ..... D12/162
(52) <b>U.S. Cl.</b>	D966,956 S * 10/2022 Huang ..... D12/162
USPC ..... <b>D12/162</b>	D967,740 S * 10/2022 Hatcher ..... D12/162
(58) <b>Field of Classification Search</b>	D971,713 S * 12/2022 Huang ..... D12/162
USPC ..... D12/159, 160, 161, 162, 400; D21/317, D21/777, 810	2002/0140206 A1 10/2002 Lloyd
CPC . B60D 1/60; B60D 1/065; B60D 1/00; B60D 1/06; B60D 1/36; B62D 33/033	
See application file for complete search history.	

\* cited by examiner

Primary Examiner — Katrina A Betton

(57) **CLAIM**

The ornamental design for a tractor shackle, as shown and described.

**DESCRIPTION**

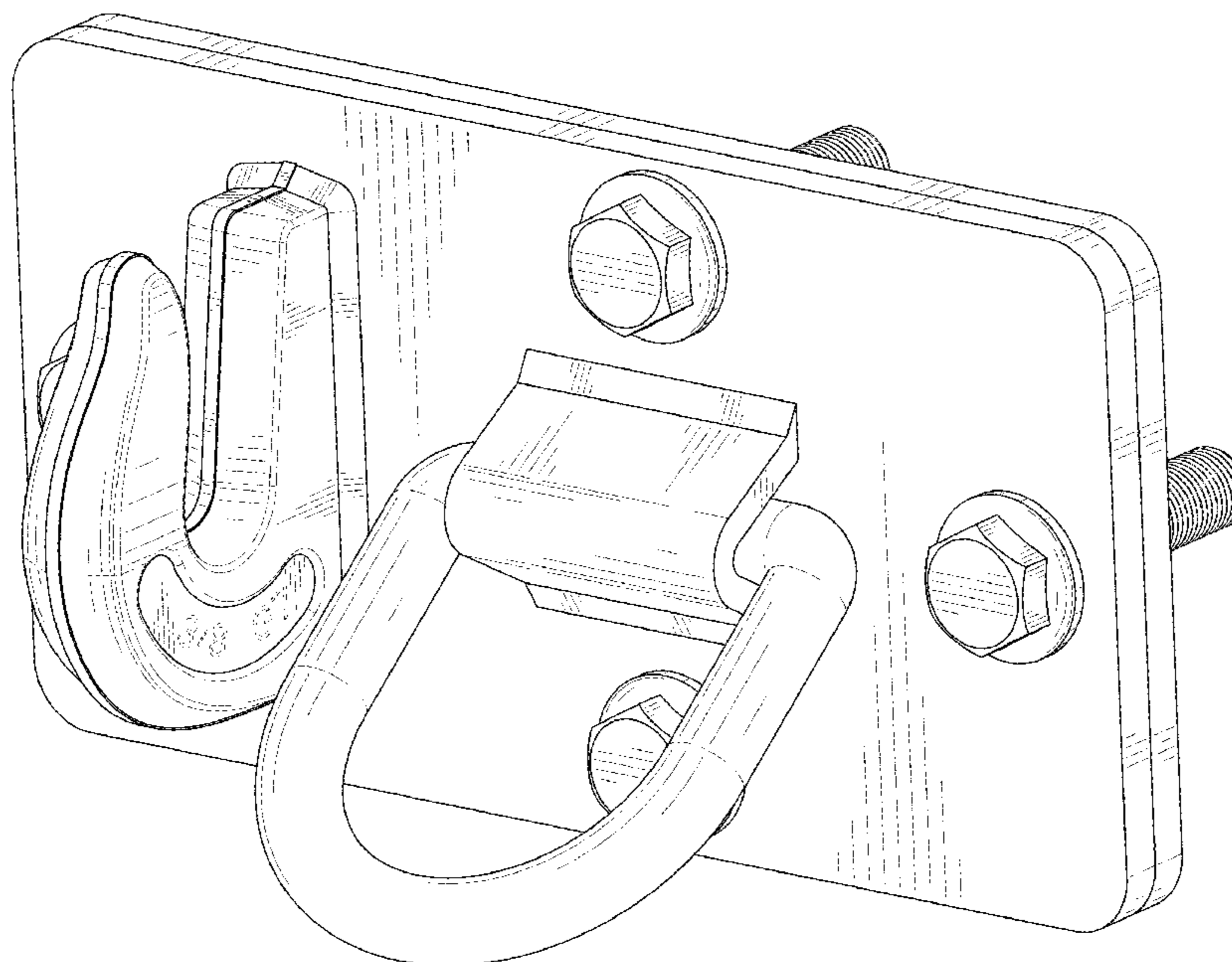
FIG. 1 is a perspective view of a tractor shackle showing my new design;  
 FIG. 2 is another perspective view thereof;  
 FIG. 3 is a front elevational view thereof;  
 FIG. 4 is a rear elevational view thereof;  
 FIG. 5 is a left side elevational view thereof;  
 FIG. 6 is a right side elevational view thereof;  
 FIG. 7 is a top plan view thereof;  
 FIG. 8 is a bottom plan view thereof; and,  
 FIG. 9 is an enlarged view of portion 9 shown in FIG. 2.  
 The broken lines depict portions of the tractor shackle that form no part of the claimed design.

**1 Claim, 9 Drawing Sheets**

(56) **References Cited**

U.S. PATENT DOCUMENTS

1,189,966 A	7/1916	Kellogg	
2,386,836 A	10/1945	Rudolph	
2,709,616 A *	5/1955	Larson	F16G 15/06 403/291
3,348,273 A	10/1967	Norman	
3,908,415 A *	9/1975	Foote	E05B 67/06 70/53
6,158,760 A	12/2000	Kiss	



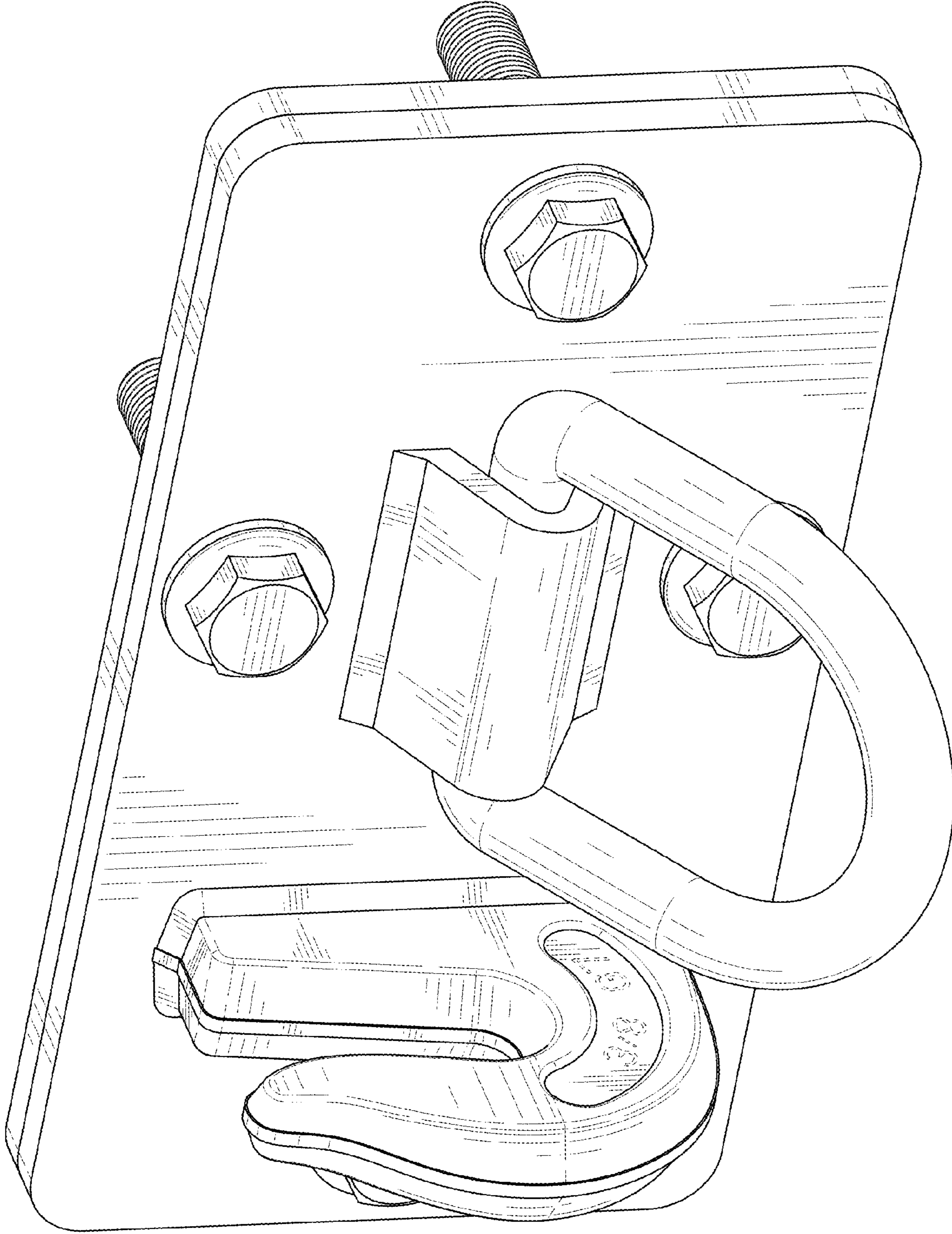


FIG. 1

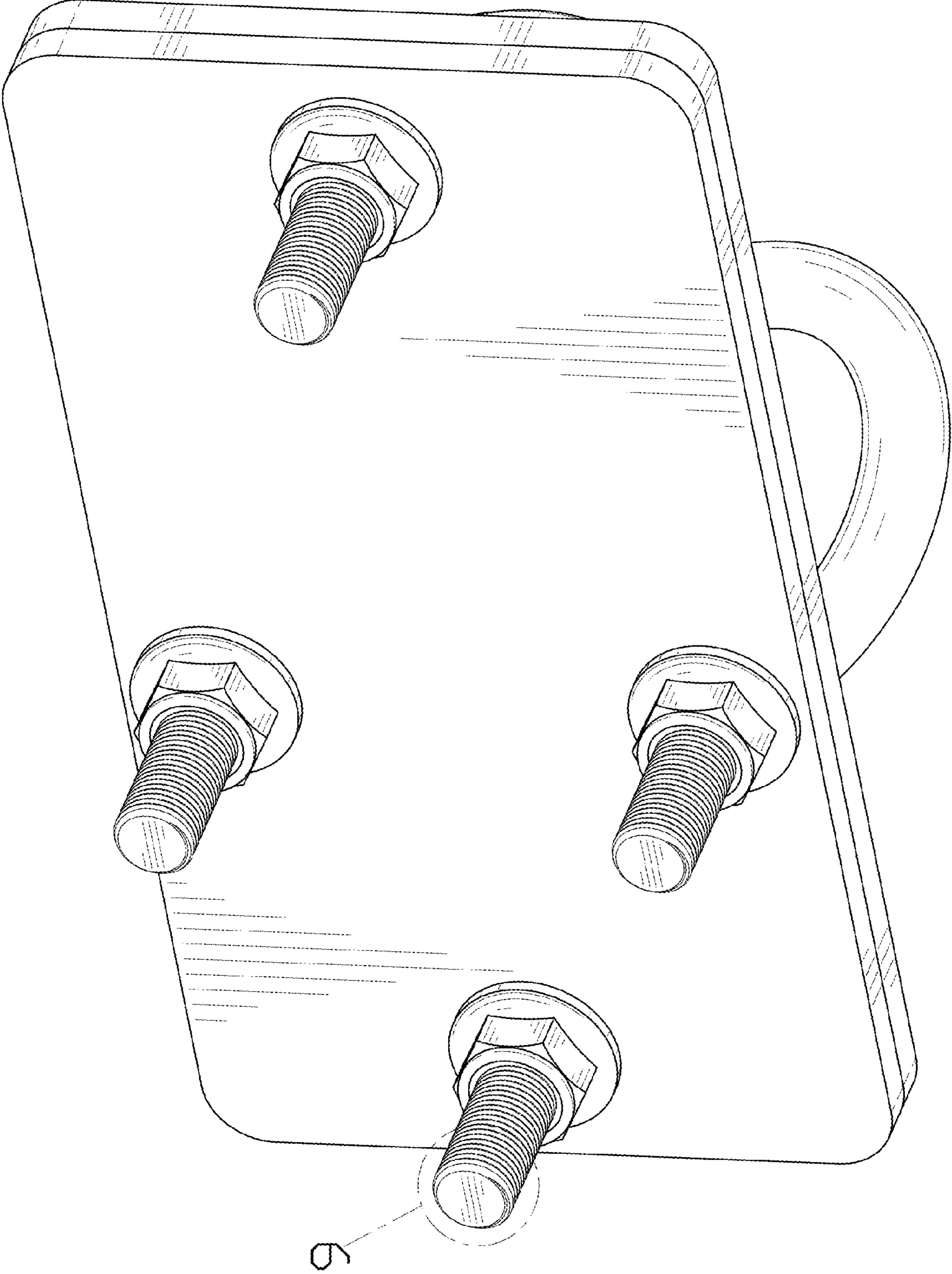


FIG. 2

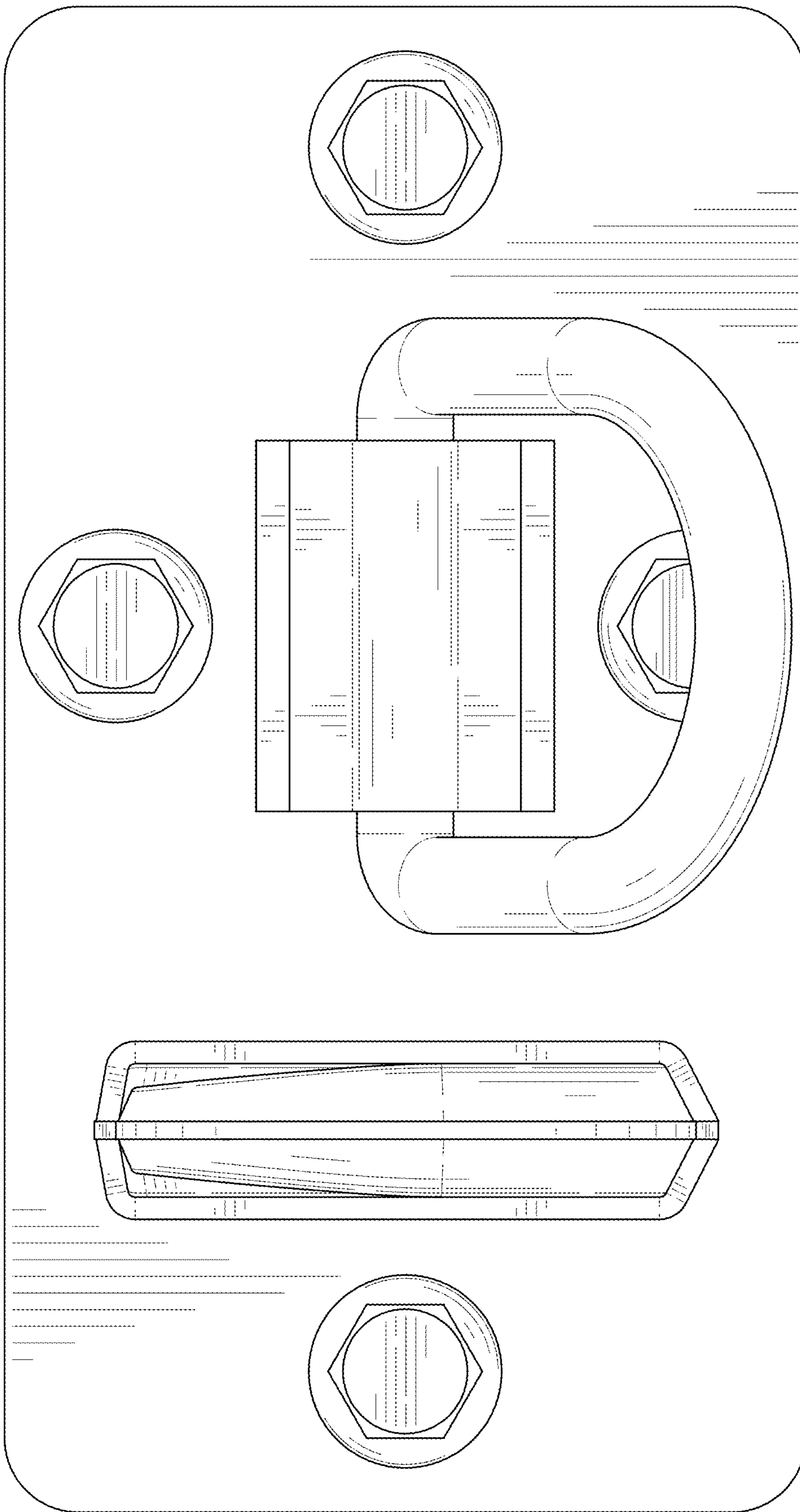


FIG. 3

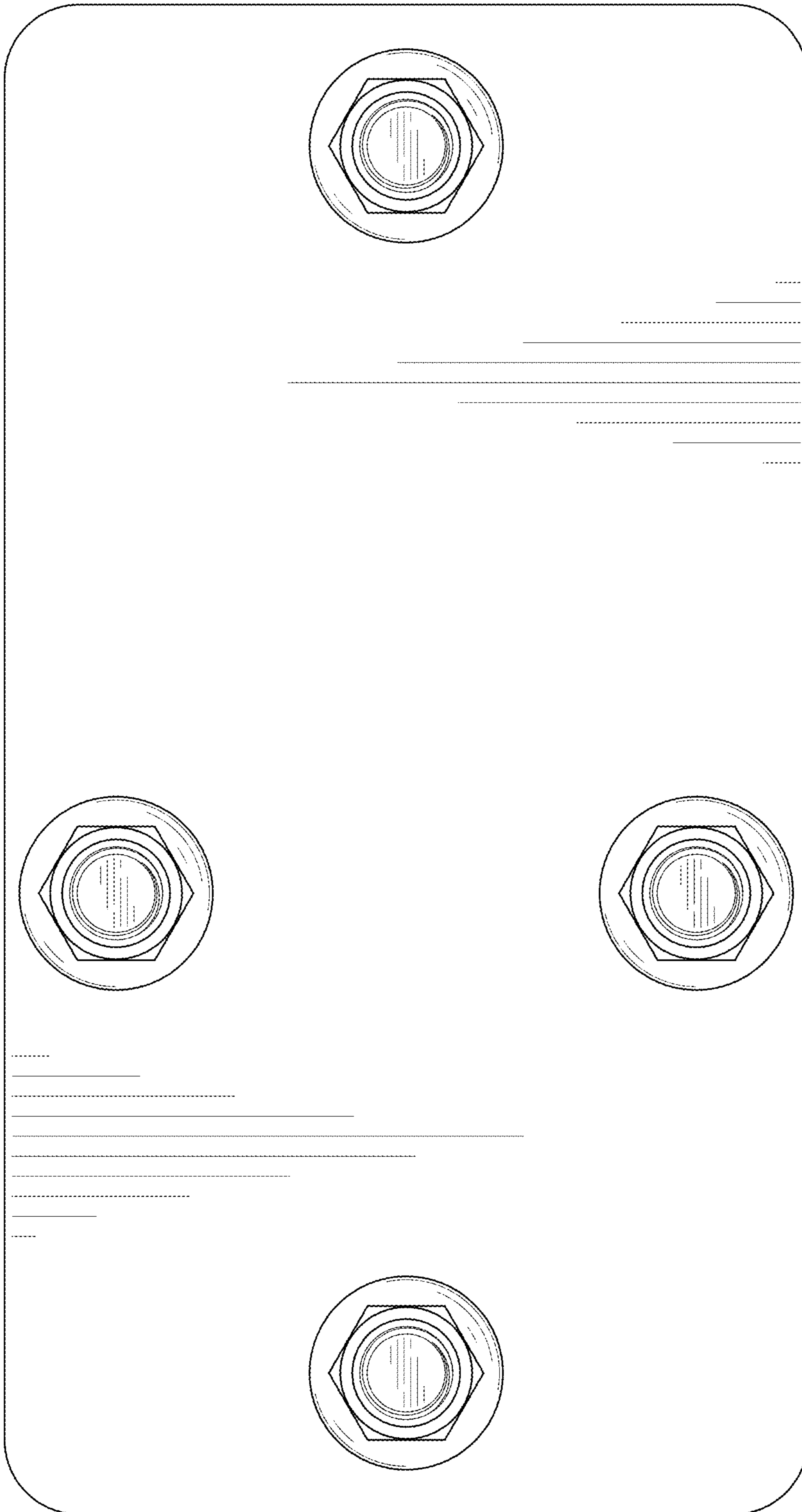


FIG. 4

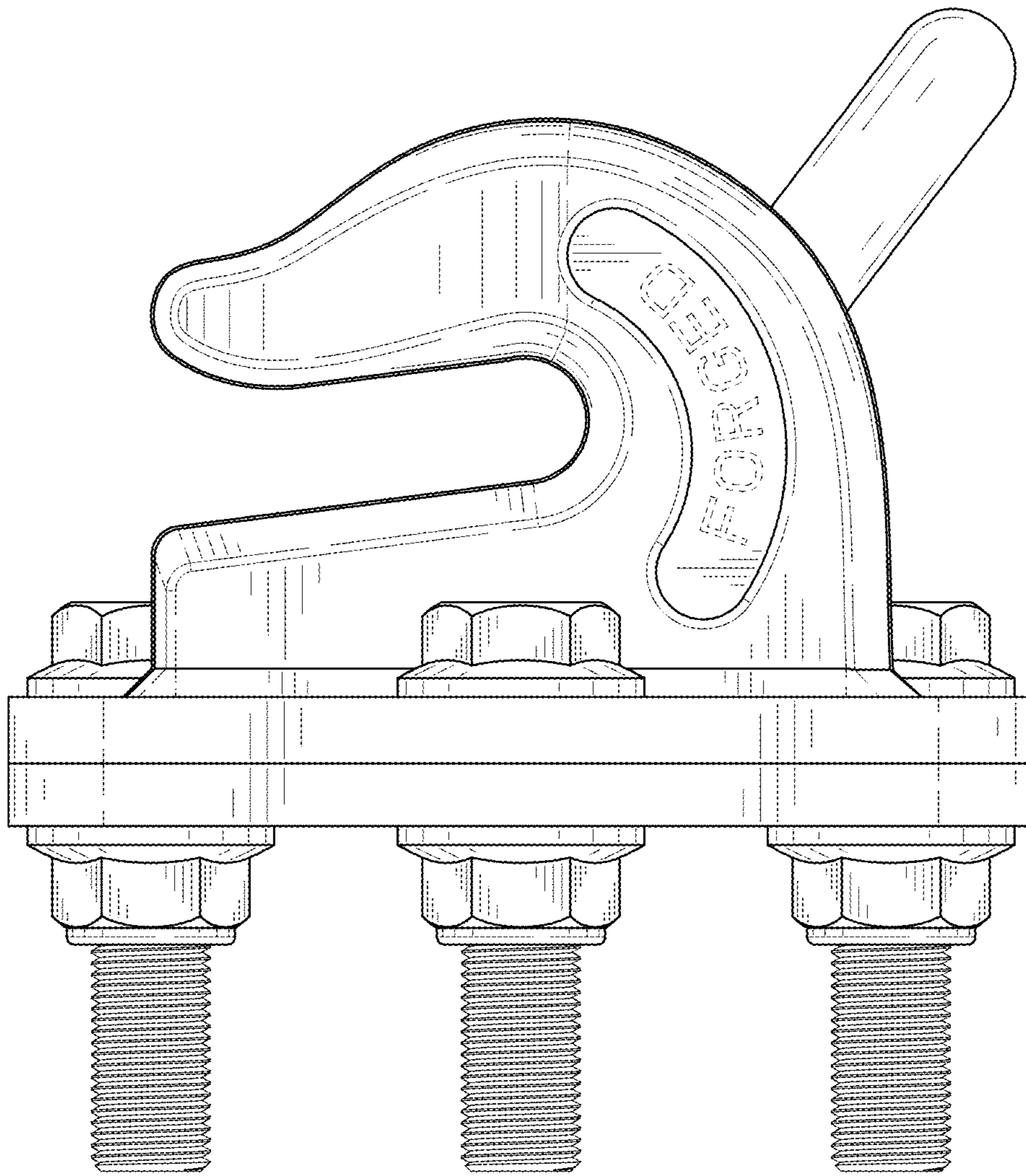


FIG. 5

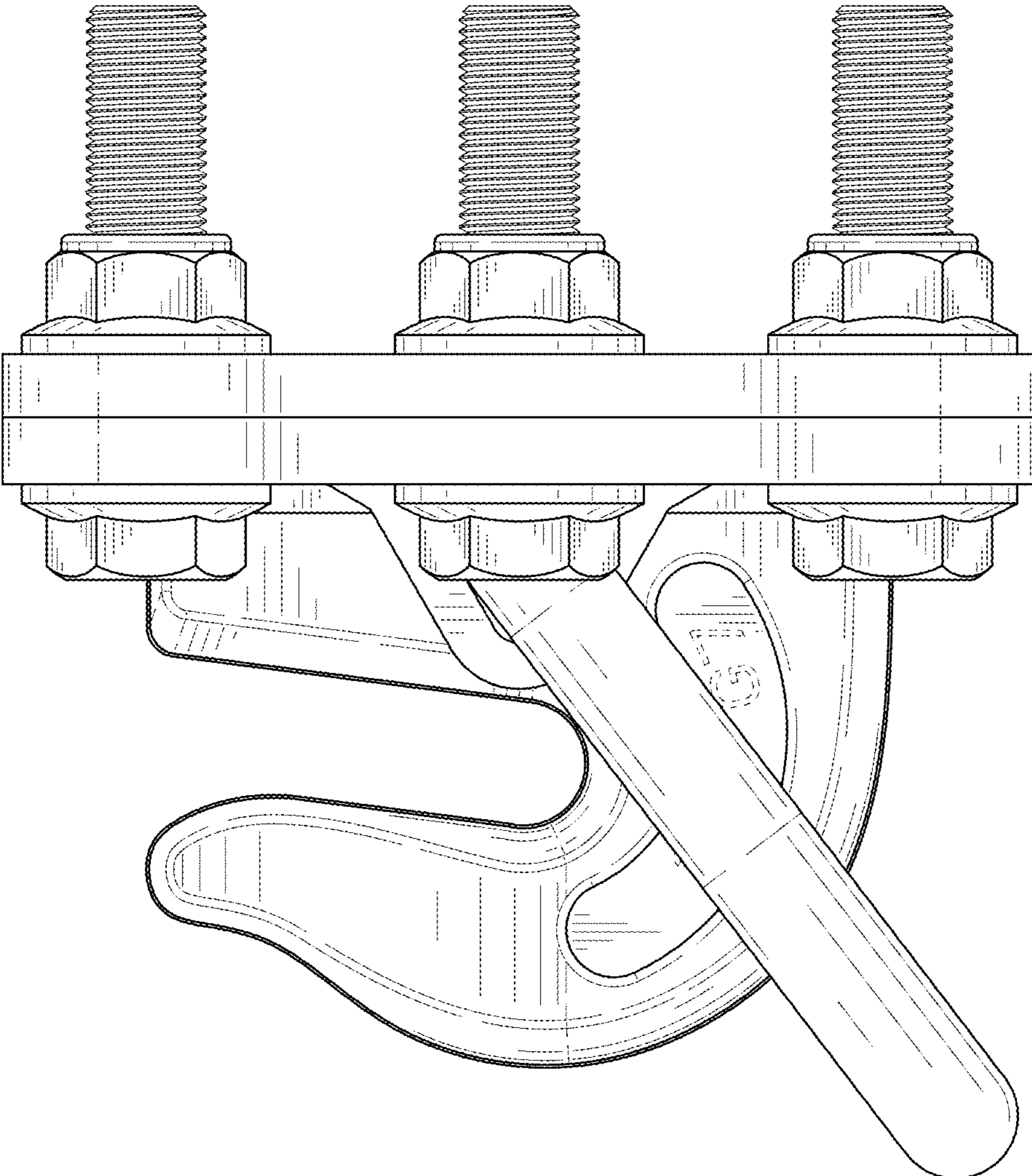


FIG. 6

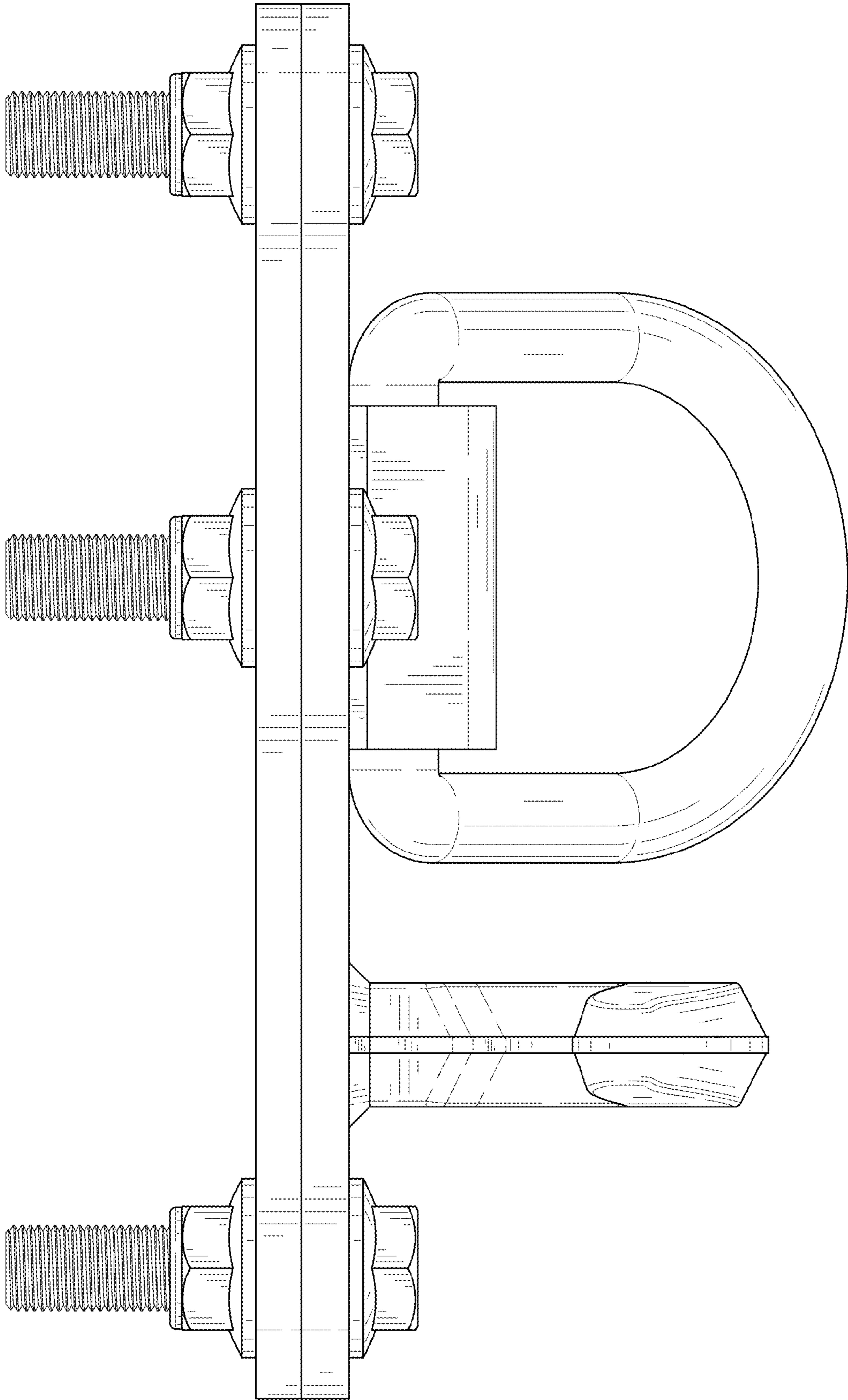


FIG. 7



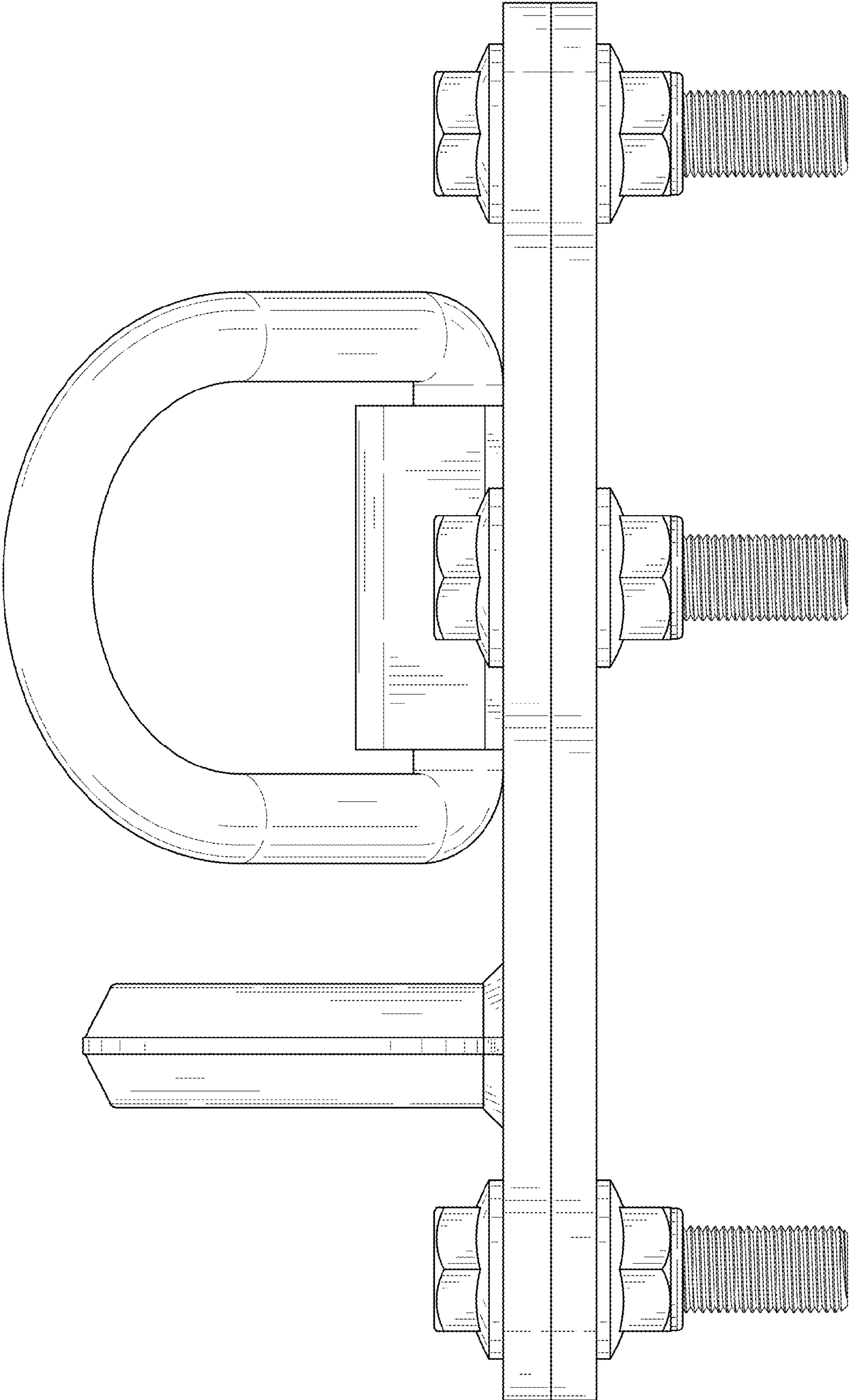


FIG. 8

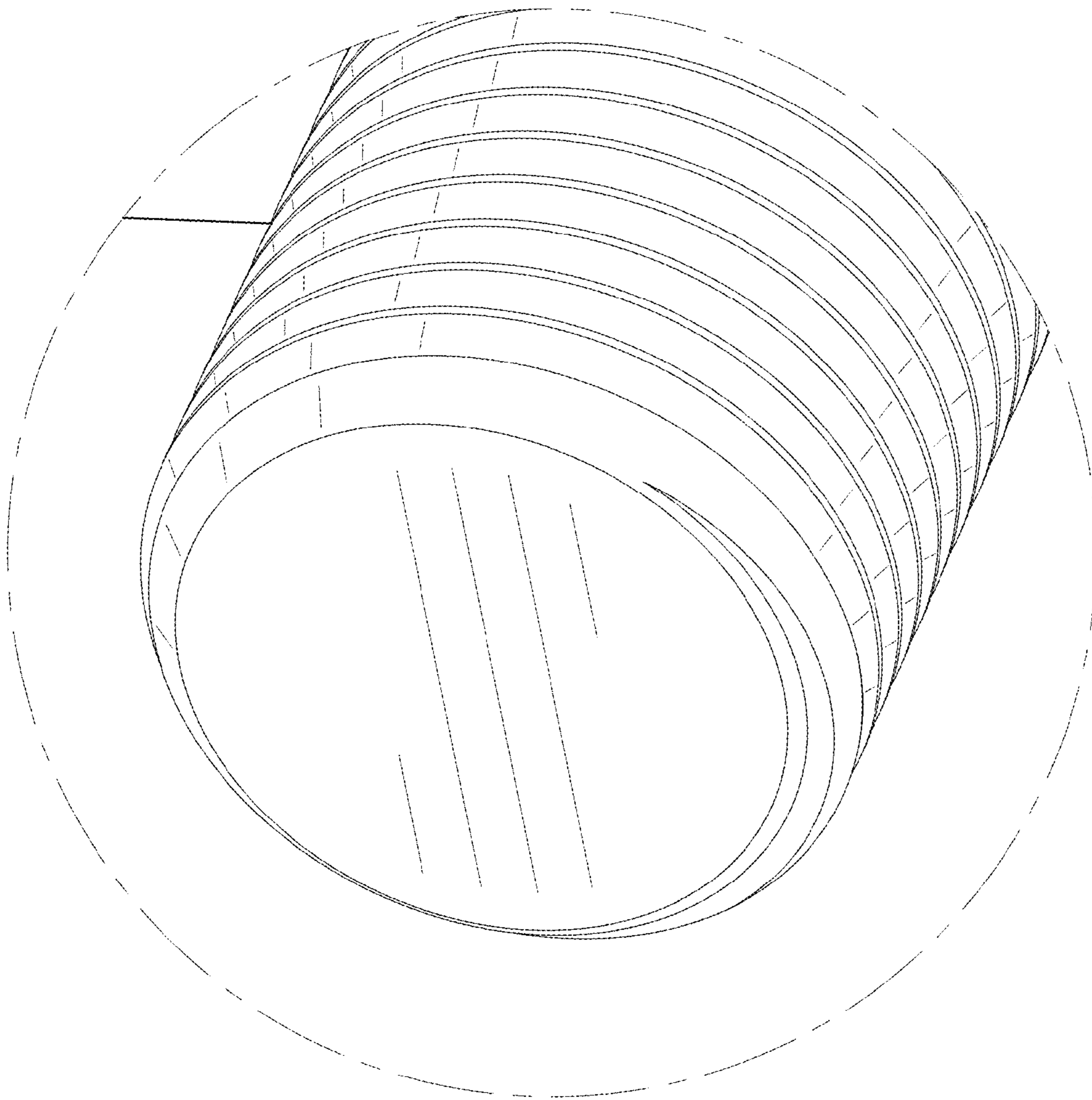


FIG. 9