



US00D977376S

(12) **United States Design Patent** (10) **Patent No.:** **US D977,376 S**  
**Clawson** (45) **Date of Patent:** **\*\* Feb. 7, 2023**

(54) **TOW POINT**  
(71) Applicant: **Alan R. Clawson**, Rupert, ID (US)  
(72) Inventor: **Alan R. Clawson**, Rupert, ID (US)  
(\*\*) Term: **15 Years**  
(21) Appl. No.: **29/779,373**  
(22) Filed: **Apr. 19, 2021**  
(51) **LOC (14) Cl.** ..... **12-16**  
(52) **U.S. Cl.**  
USPC ..... **D12/162**  
(58) **Field of Classification Search**  
USPC ..... D12/159, 160, 161, 162, 400, 317;  
D21/777, 810  
CPC . B60D 1/60; B60D 1/065; B60D 1/00; B60D  
1/06; B60D 1/36; B62D 33/033  
See application file for complete search history.

D922,912 S \* 6/2021 McCuskey ..... D12/162  
D922,913 S \* 6/2021 Works ..... D12/162  
D924,108 S \* 7/2021 Works ..... D12/162  
D925,408 S \* 7/2021 Li ..... D12/162  
D927,366 S \* 8/2021 Repic ..... D12/162  
D931,152 S \* 9/2021 Rabska ..... D12/162  
D943,468 S \* 2/2022 Wang ..... D12/162  
D949,064 S \* 4/2022 Kyeong ..... D12/162

\* cited by examiner

*Primary Examiner* — Katrina A Betton  
(74) *Attorney, Agent, or Firm* — Timothy A. Hodgkiss;  
Buckingham Doolittle Burroughs

(57) **CLAIM**

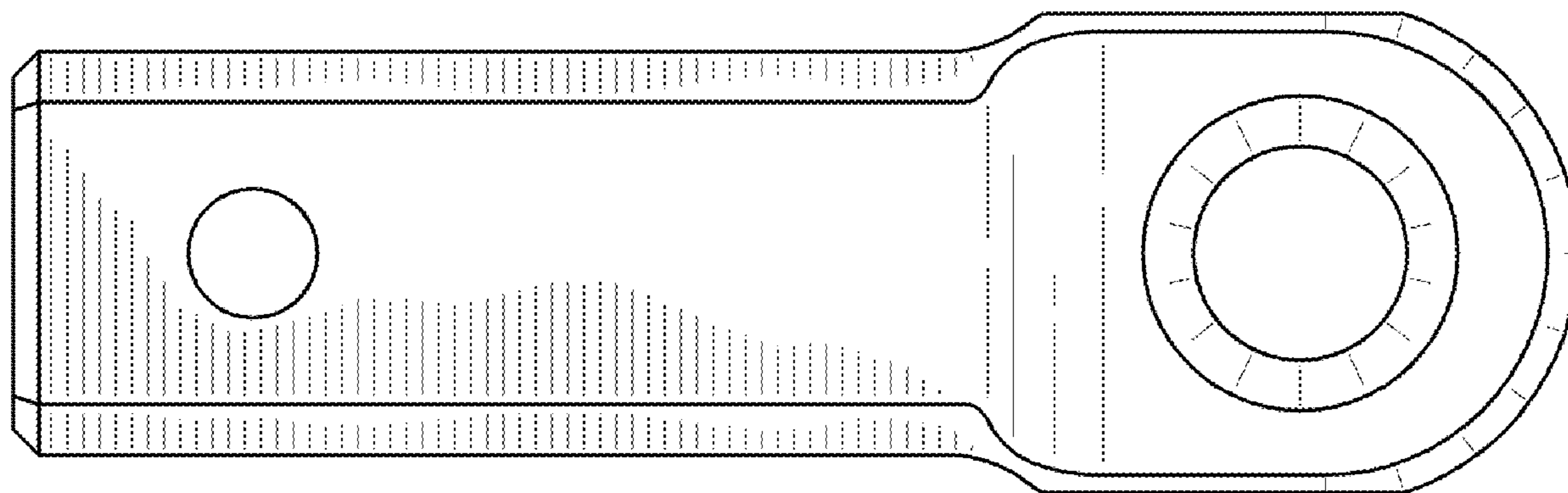
The ornamental design for a tow point, as shown.

**DESCRIPTION**

FIG. 1 is a top perspective view of a tow point showing the claimed design;  
FIG. 2 is a bottom perspective view thereof;  
FIG. 3 is a top plan view thereof;  
FIG. 4 is a bottom plan view thereof;  
FIG. 5 is a left side view thereof;  
FIG. 6 is a right side view thereof;  
FIG. 7 is a rear end view thereof; and,  
FIG. 8 is a front end view thereof.

**1 Claim, 3 Drawing Sheets**

(56) **References Cited**  
U.S. PATENT DOCUMENTS  
D897,245 S \* 9/2020 Borkholder ..... D12/162  
D904,236 S \* 12/2020 Arrowood ..... D12/162  
D909,922 S \* 2/2021 Siegel ..... D12/162  
D913,861 S \* 3/2021 McCall ..... D12/162  
D922,265 S \* 6/2021 Han ..... D12/162



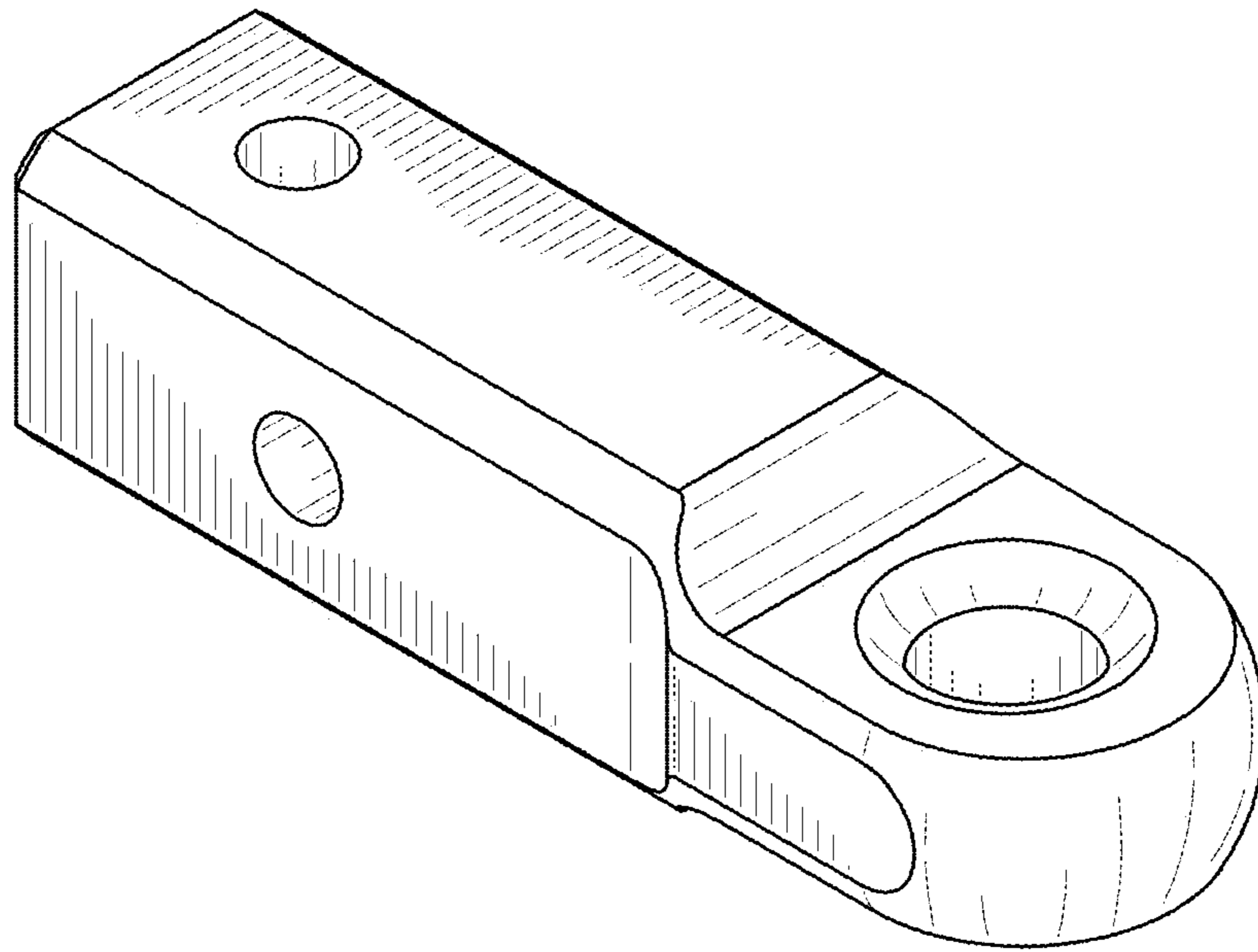


FIG. 1

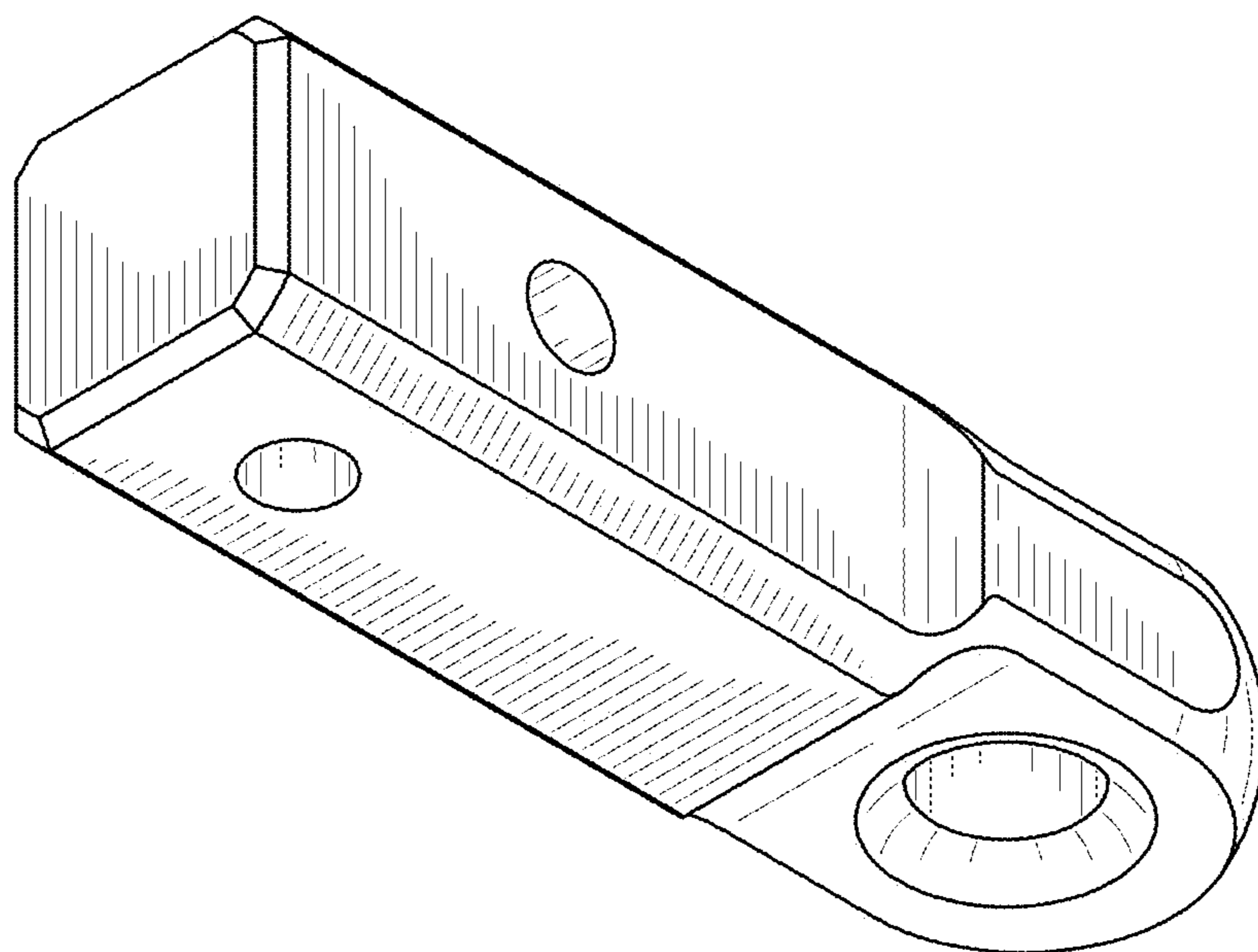


FIG. 2

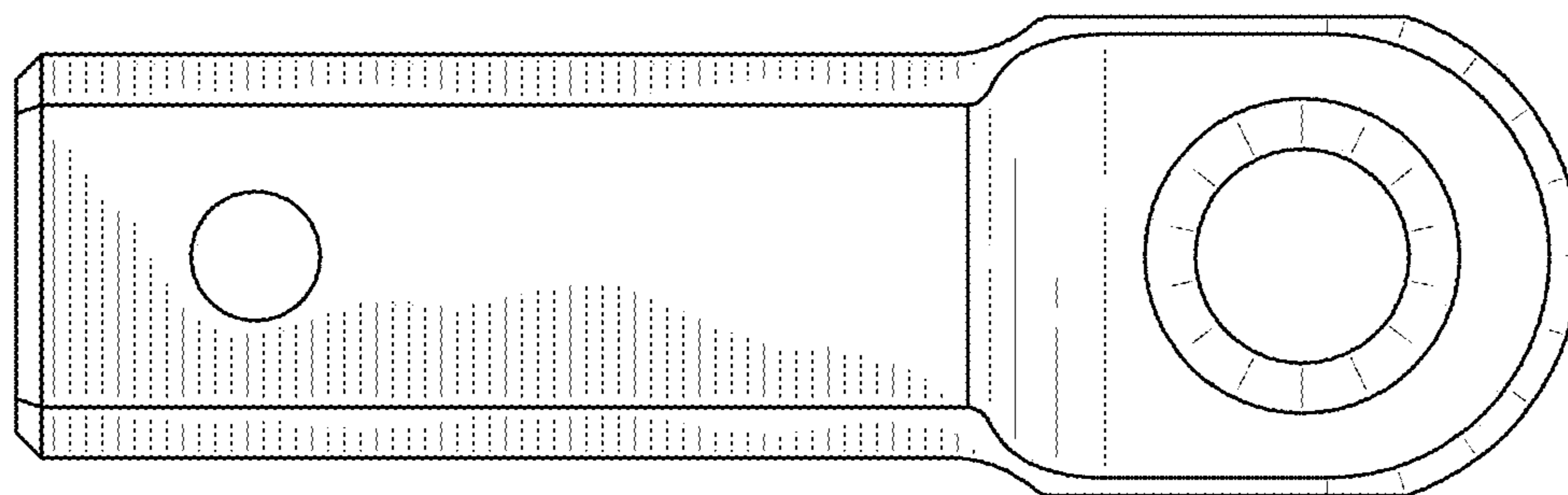


FIG. 3

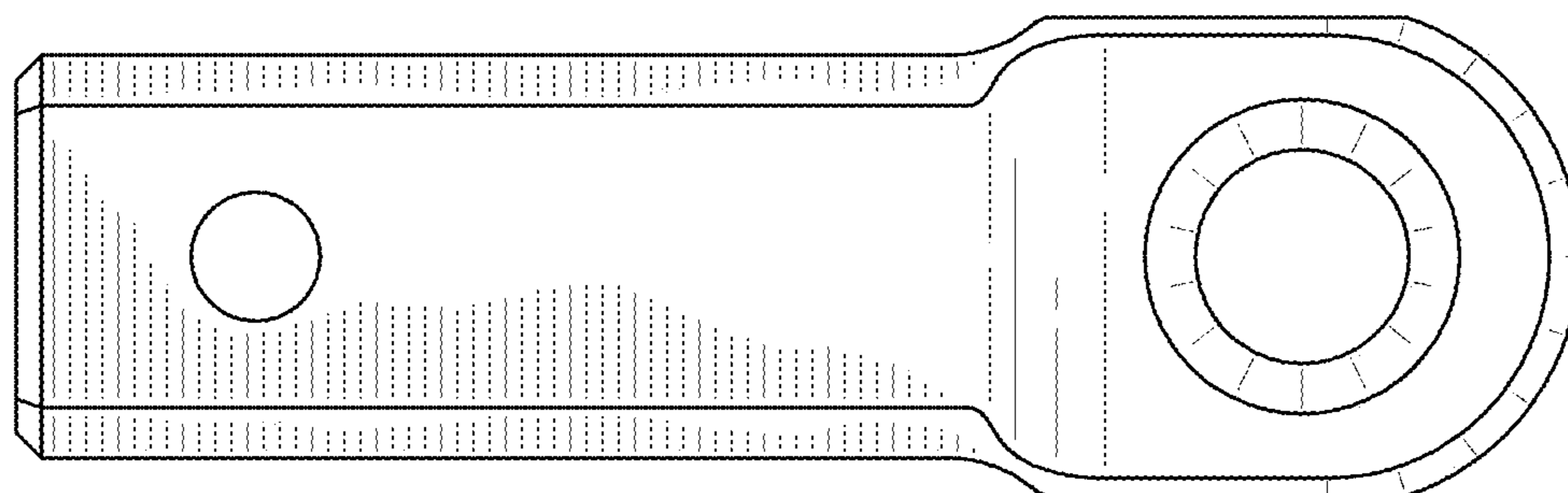


FIG. 4

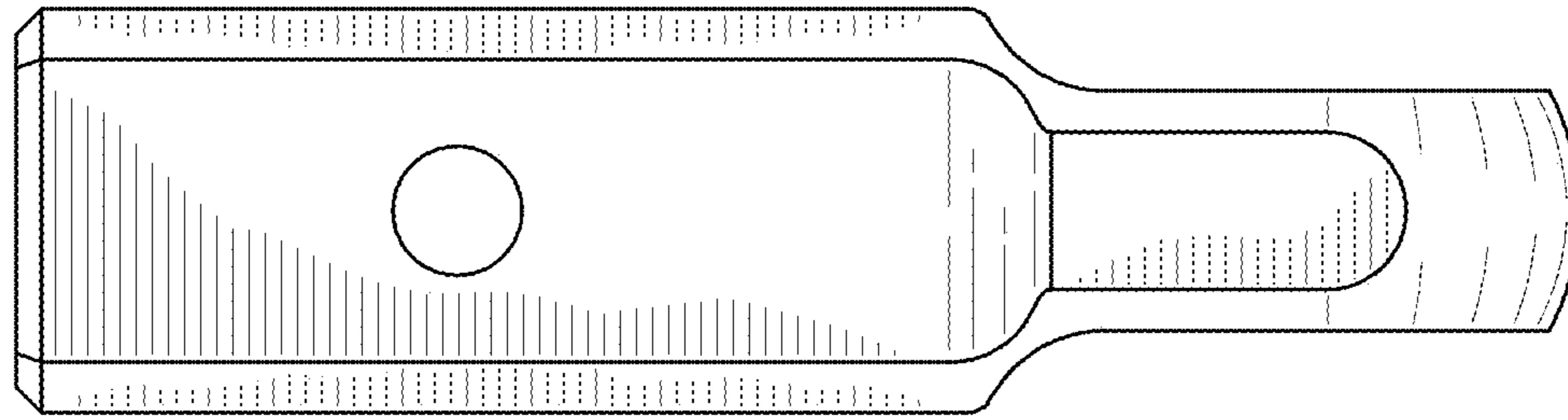


FIG. 5

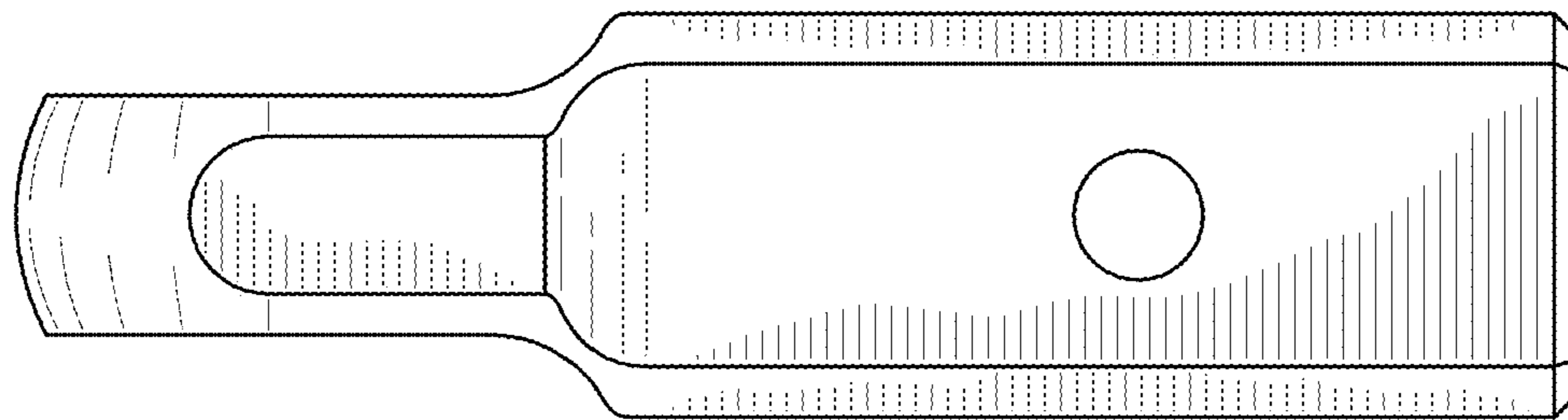


FIG. 6

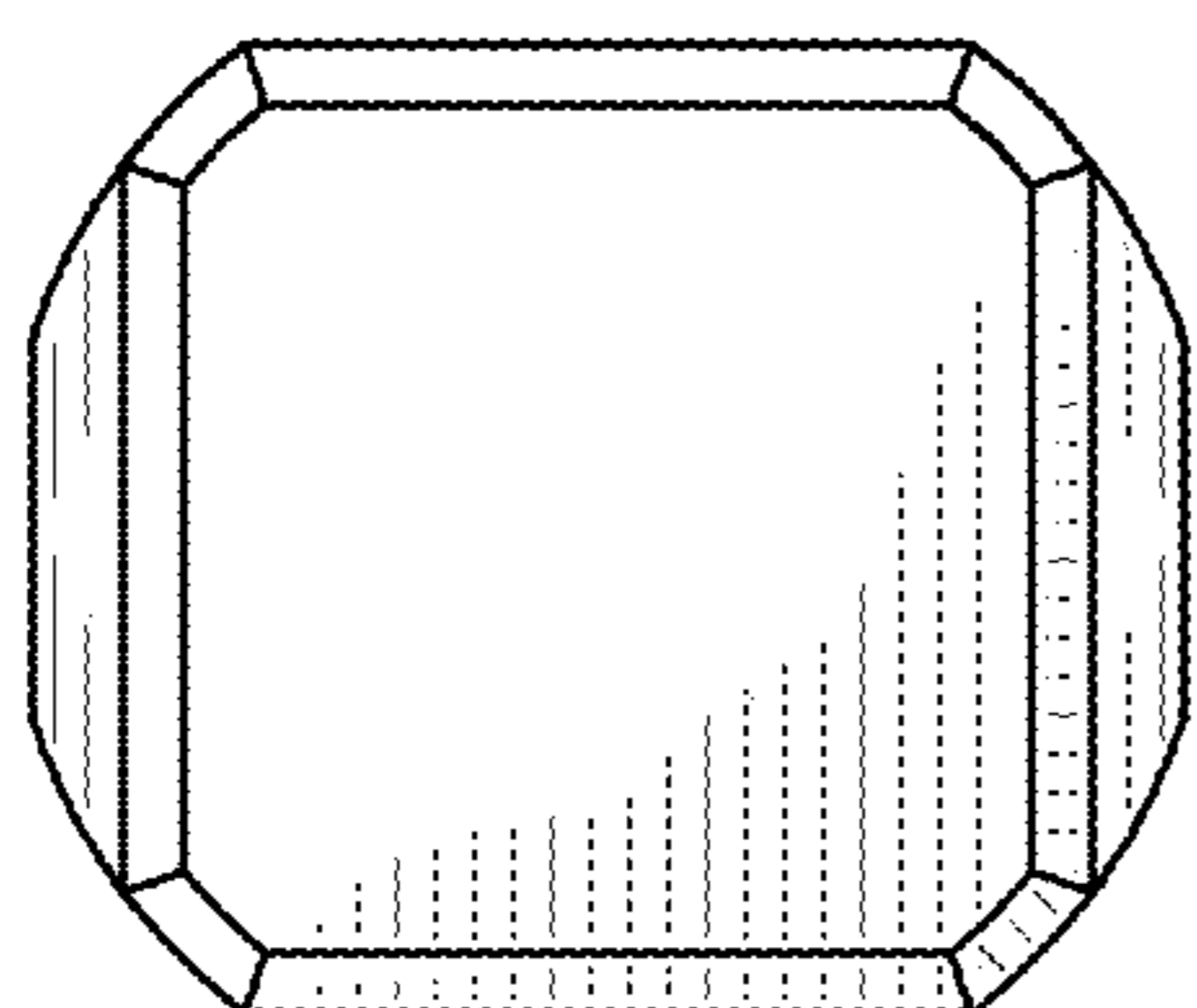


FIG. 7

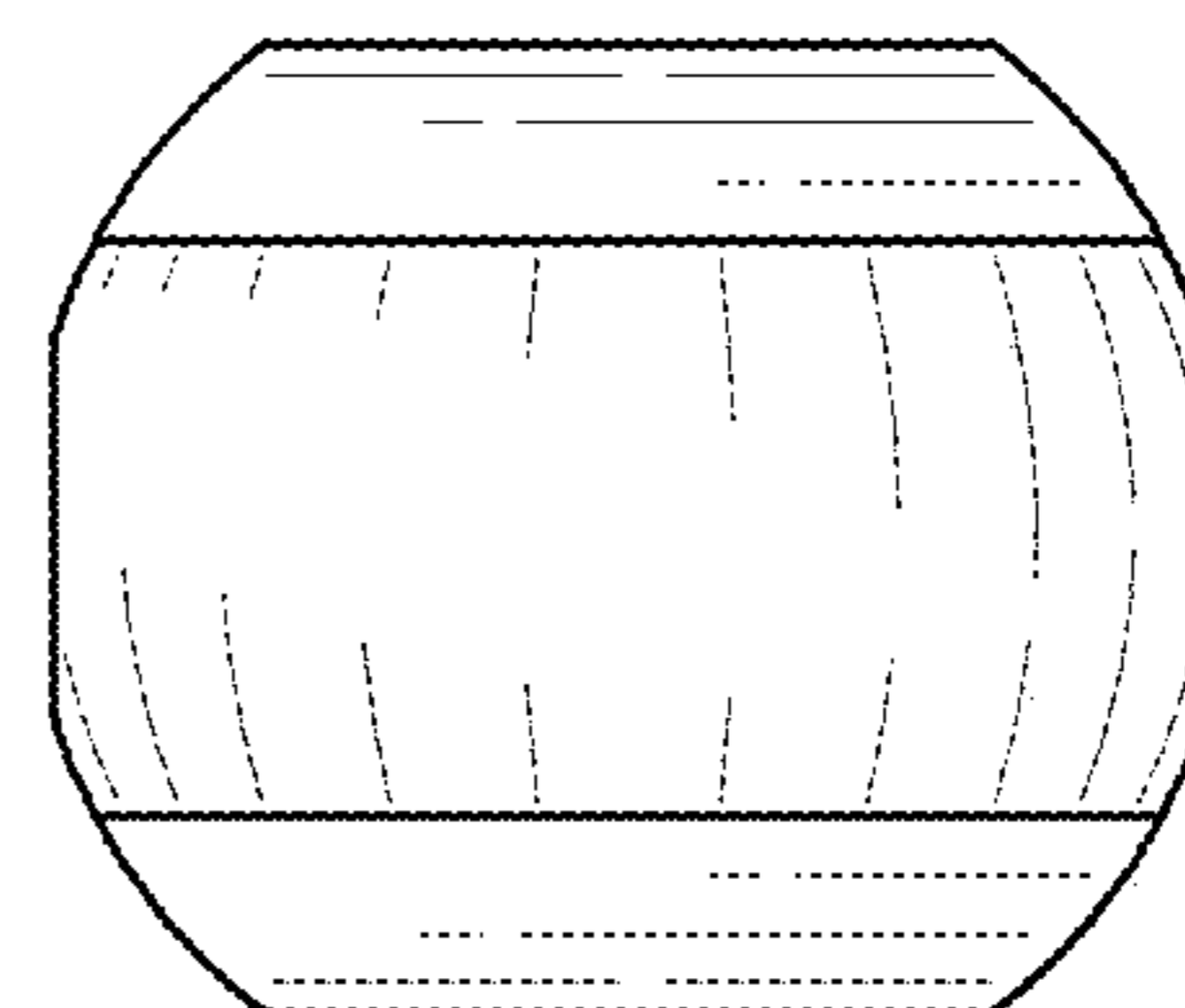


FIG. 8