



US00D977374S

(12) **United States Design Patent**  
**Van Varick et al.**

(10) **Patent No.:** **US D977,374 S**  
(45) **Date of Patent:** **\*\* Feb. 7, 2023**

- (54) **WALKING FRAME**
- (71) Applicant: **CVS Pharmacy, Inc.**, Woonsocket, RI (US)
- (72) Inventors: **Robert Beale Van Varick**, Yardley, PA (US); **Donald Samuel Strum**, Princeton, NJ (US); **George Benjamin Wintner**, Brooklyn, NY (US); **Ryan Crist**, McFarland, WI (US); **Gregory P. Allison**, Allentown, PA (US)
- (73) Assignee: **CVS Pharmacy, Inc.**, Woonsocket, RI (US)
- (\*\*) Term: **15 Years**
- (21) Appl. No.: **29/840,043**
- (22) Filed: **May 25, 2022**

**Related U.S. Application Data**

- (60) Division of application No. 29/818,916, filed on Dec. 10, 2021, which is a continuation of application No. 17/404,718, filed on Aug. 17, 2021.
- (51) **LOC (14) Cl.** ..... **12-12**
- (52) **U.S. Cl.**  
USPC ..... **D12/131**
- (58) **Field of Classification Search**  
USPC ..... D12/131  
CPC ..... A61H 3/00; A61H 3/04; A61H 2003/001-007; A61H 2003/043; A61H 2003/046  
See application file for complete search history.

(56) **References Cited**

**U.S. PATENT DOCUMENTS**

- 5,116,294 A \* 5/1992 Findlay ..... A63B 21/153 482/52
- 5,188,139 A \* 2/1993 Garelick ..... A61H 3/00 403/116

- 5,529,425 A \* 6/1996 Spies ..... A61H 3/00 403/321
- D420,624 S \* 2/2000 Gonzalez ..... D21/771
- 6,453,921 B1 \* 9/2002 Rost ..... A61H 3/00 482/68
- D480,666 S 10/2003 Owens  
(Continued)

**OTHER PUBLICATIONS**

U.S. Appl. No. 29/818,916, filed Dec. 10, 2021, Van Varick et al.  
(Continued)

*Primary Examiner* — Charles D Hanson  
(74) *Attorney, Agent, or Firm* — Sheridan Ross P.C.

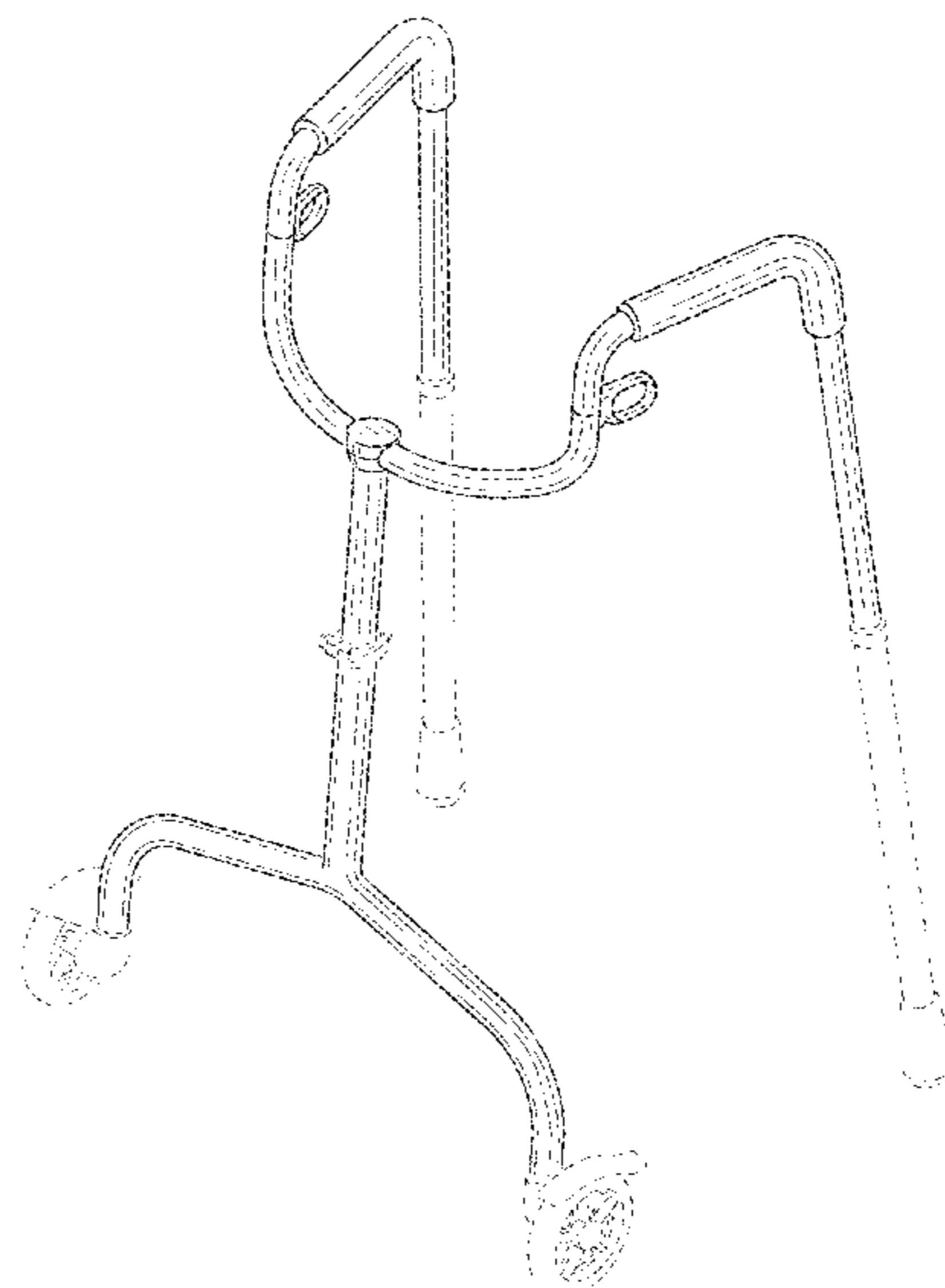
(57) **CLAIM**

We claim the ornamental design for a walking frame, as shown and described.

**DESCRIPTION**

FIG. 1 is a top front perspective view of a walking frame; FIG. 2 is a bottom rear perspective view of the walking frame of FIG. 1; FIG. 3 is a front elevation view of the walking frame of FIG. 1; FIG. 4 is a rear elevation view of the walking frame of FIG. 1; FIG. 5 is a right side elevation view of the walking frame of FIG. 1; FIG. 6 is a left side elevation view of the walking frame of FIG. 1; FIG. 7 is a top plan view of the walking frame of FIG. 1; FIG. 8 is a bottom plan view of the walking frame of FIG. 1; and, FIG. 9 is a top rear perspective view of the walking frame of FIG. 1 in a folded state. The broken lines in the drawings illustrate portions of the walking frame, which form no part of the claimed design.

**1 Claim, 9 Drawing Sheets**



(56)

**References Cited**

U.S. PATENT DOCUMENTS

6,729,342 B2 \* 5/2004 Serhan ..... A61H 3/00  
135/67  
D494,109 S 8/2004 Karasin et al.  
6,886,575 B2 5/2005 Diamond  
D535,220 S \* 1/2007 Wu ..... D12/130  
7,497,226 B2 3/2009 Li et al.  
7,703,465 B2 4/2010 Diamond  
8,820,338 B1 9/2014 Catricala et al.  
D751,951 S 3/2016 Andersen et al.  
D793,915 S \* 8/2017 Wang ..... D12/130  
9,775,767 B1 10/2017 Khaligh  
D902,790 S \* 11/2020 Nowak ..... D12/130  
2014/0109944 A1 4/2014 Triolo et al.  
2022/0047445 A1 2/2022 Van Varick et al.

OTHER PUBLICATIONS

U.S. Appl. No. 29/840,047, filed May 25, 2022, Van Varick et al.  
Official Action (no English translation available) for China Patent  
Application No. 202130819152.5, dated Mar. 3, 2022, 1 page.  
Notice of Allowance (with English translation) for China Patent  
Application No. 202130819152.5, dated Apr. 11, 2022, 4 pages.  
Official Action for U.S. Appl. No. 29/818,916, dated Mar. 29, 2022,  
6 pages. Restriction Requirement.  
Notice of Allowance for U.S. Appl. No. 29/818,916, dated Jun. 16,  
2022, 8 pages.

\* cited by examiner

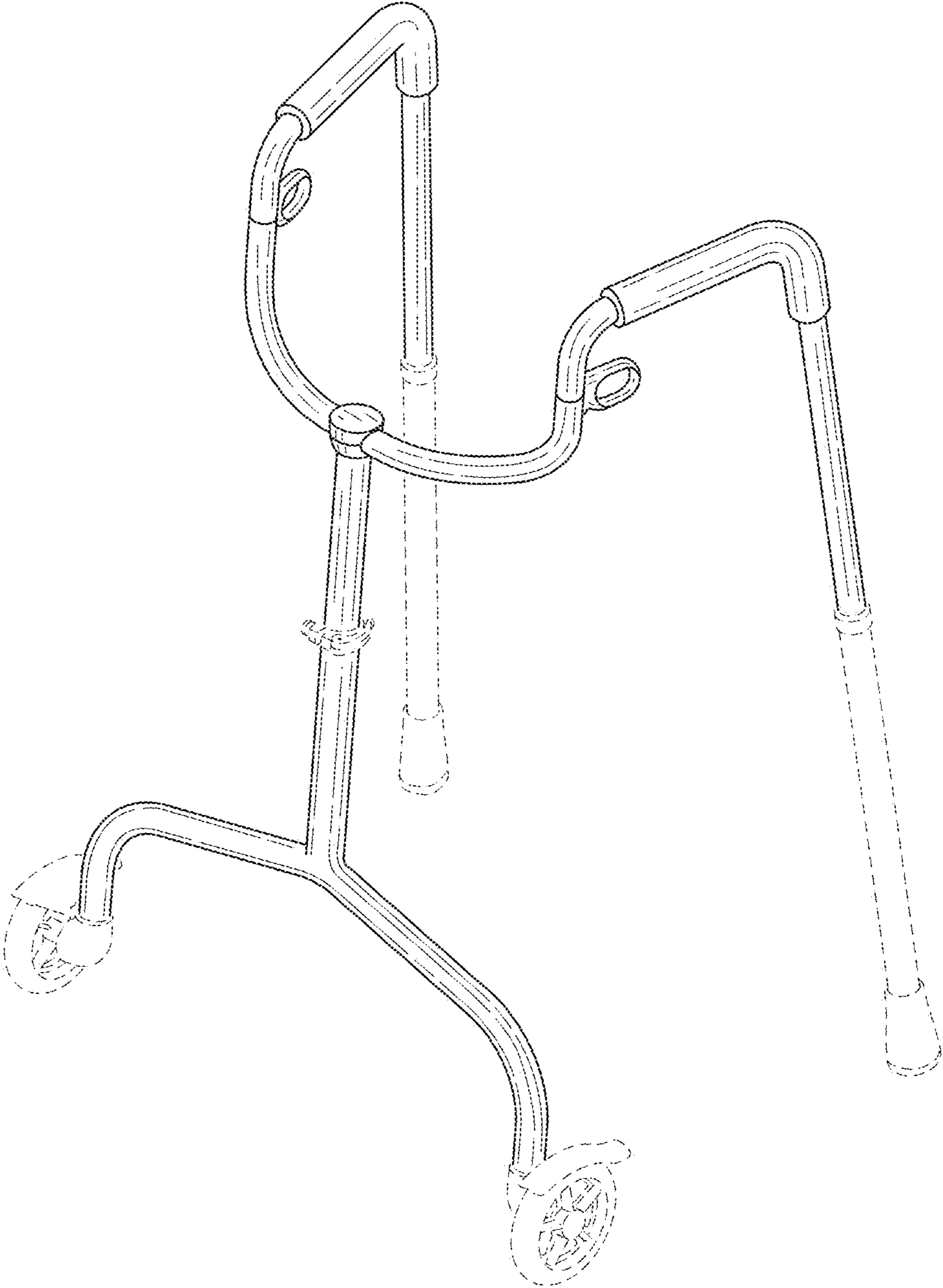


FIG.1

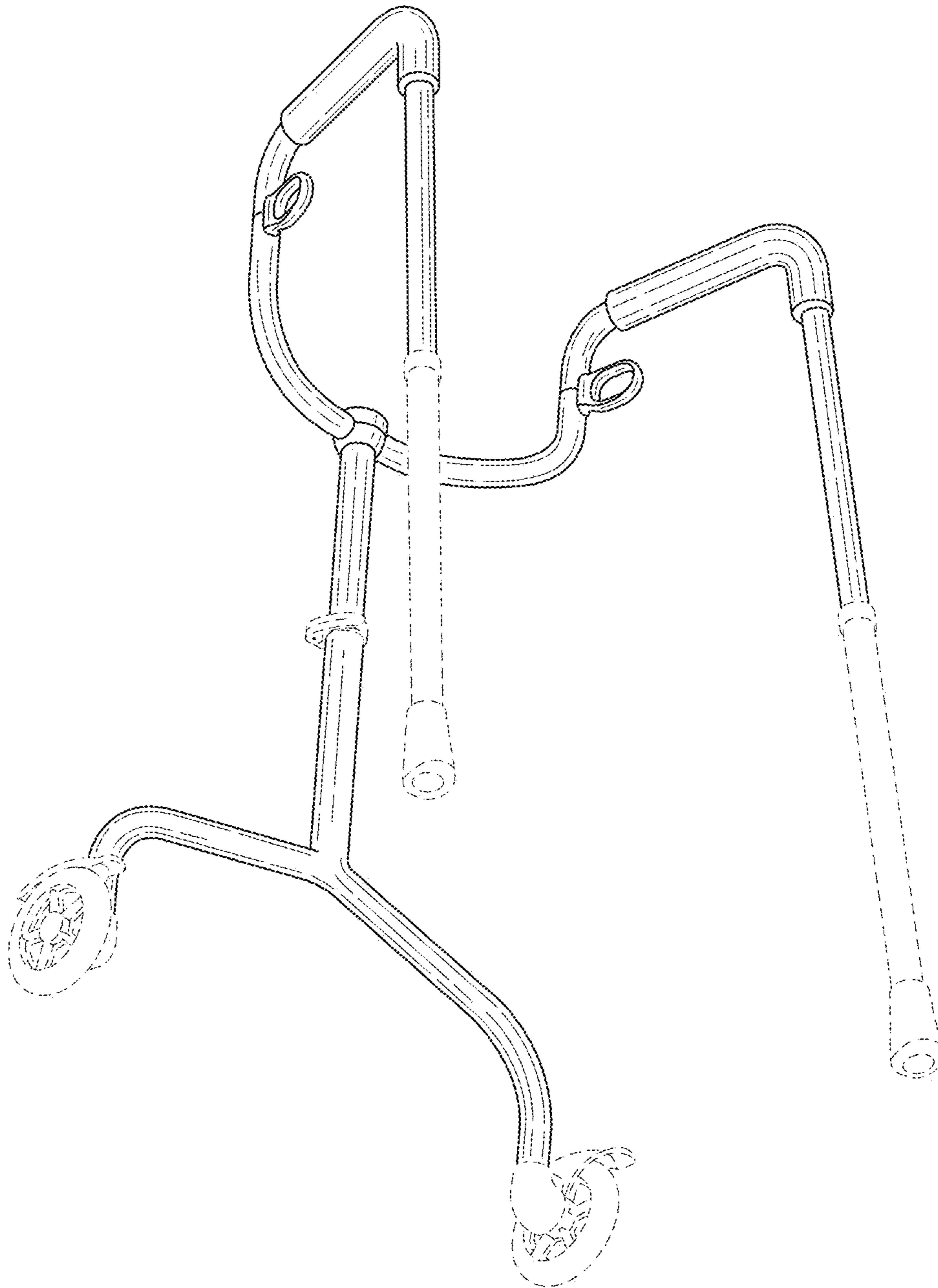


FIG.2

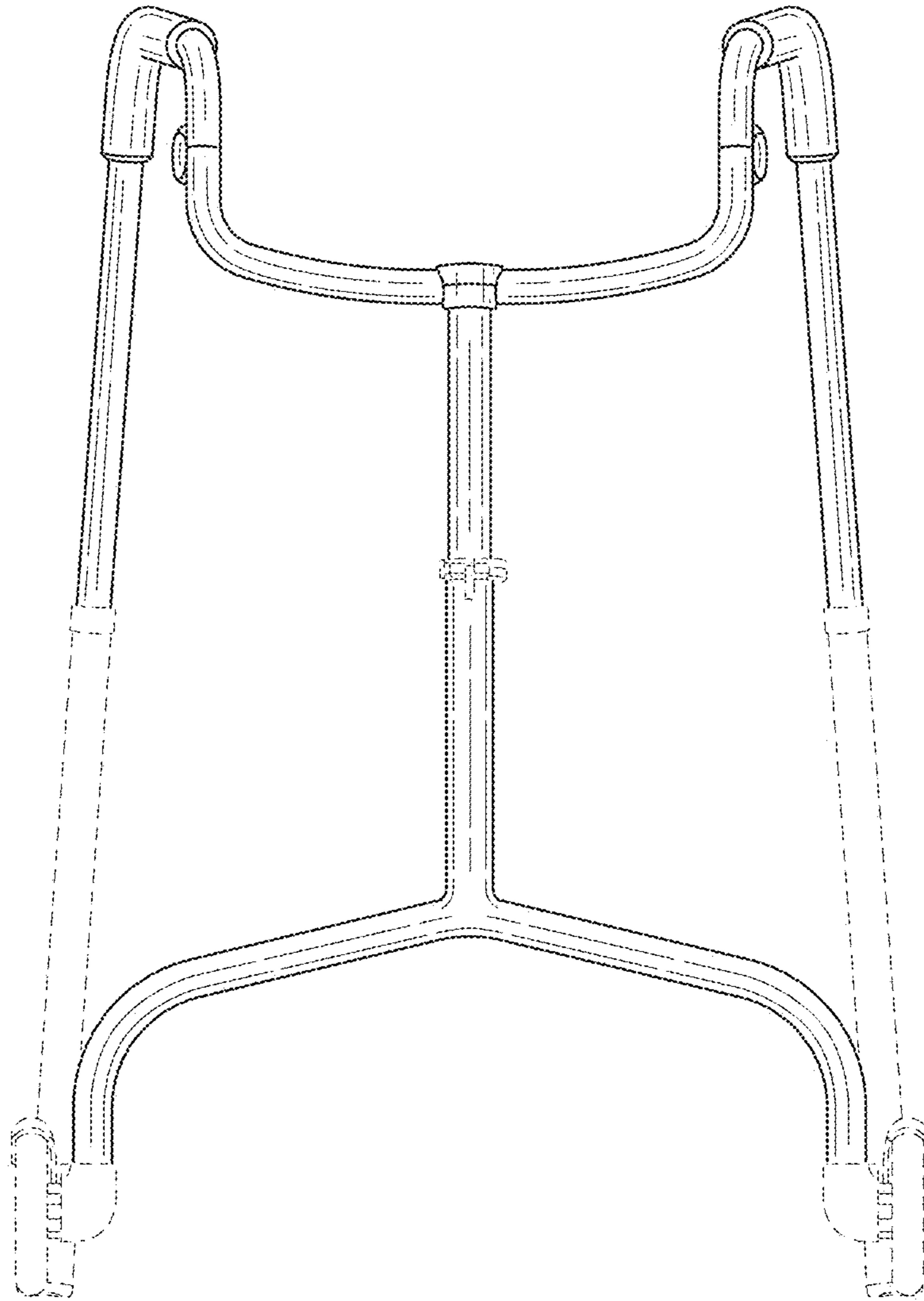


FIG.3

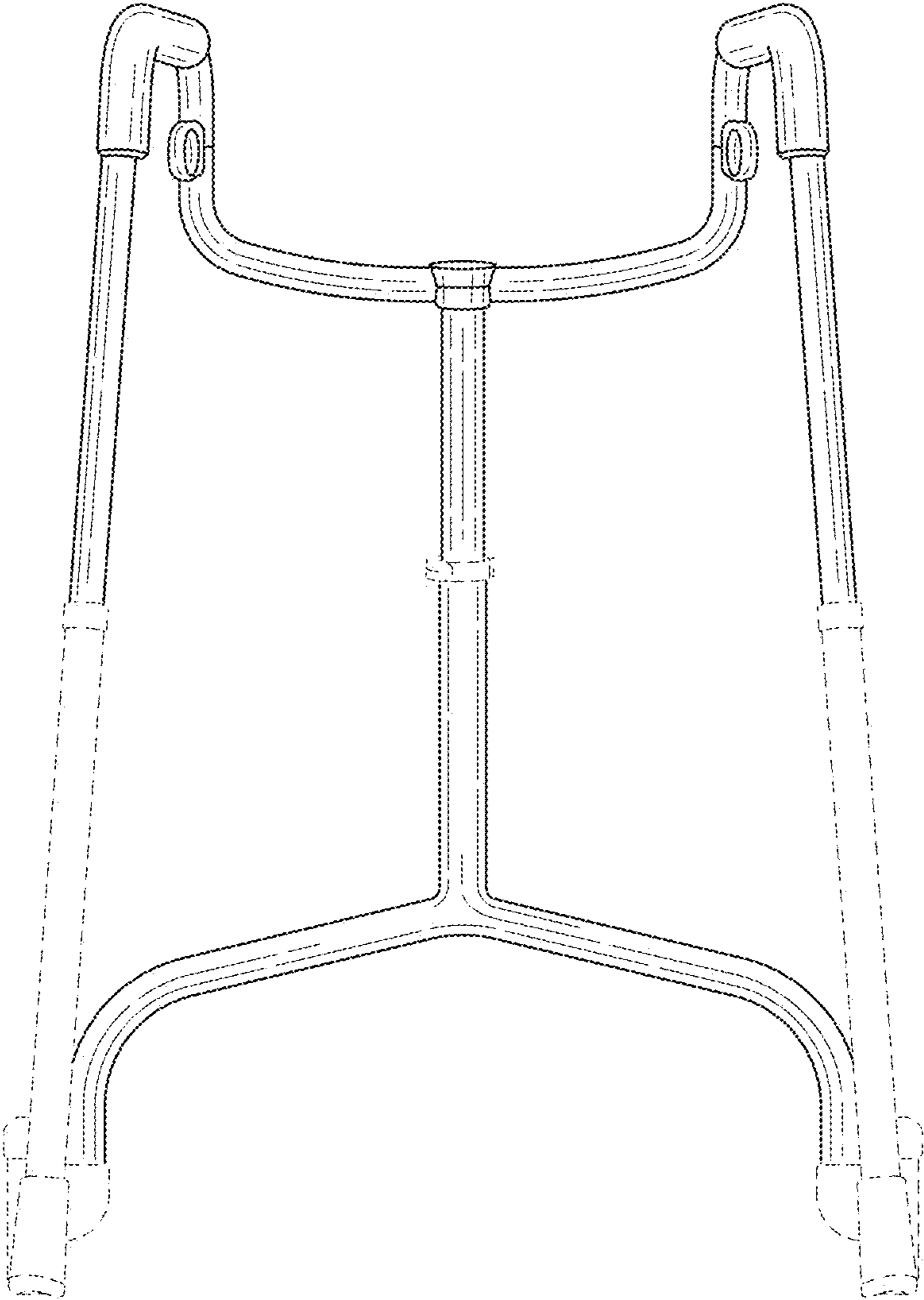


FIG.4

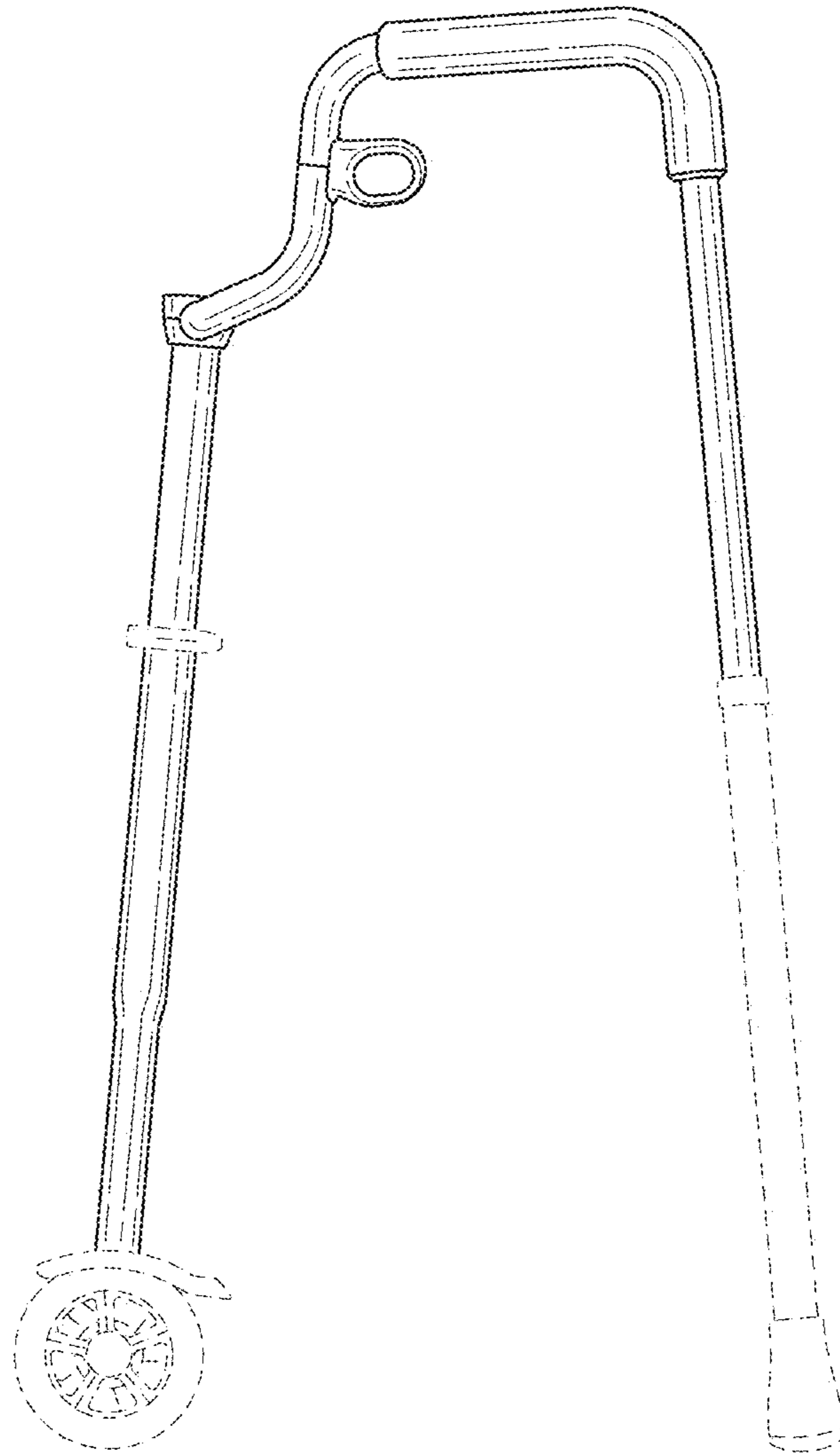


FIG.5

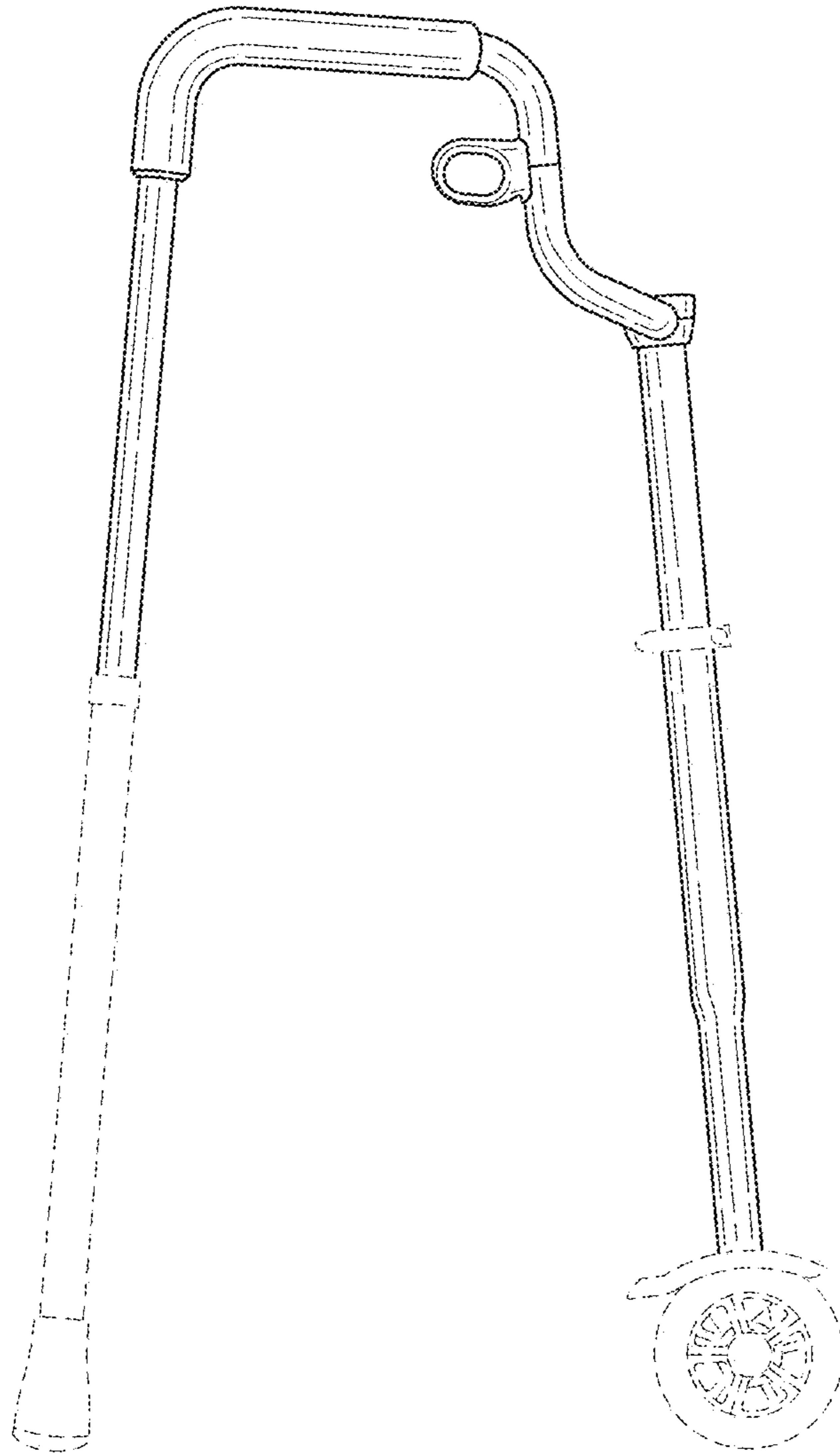


FIG.6



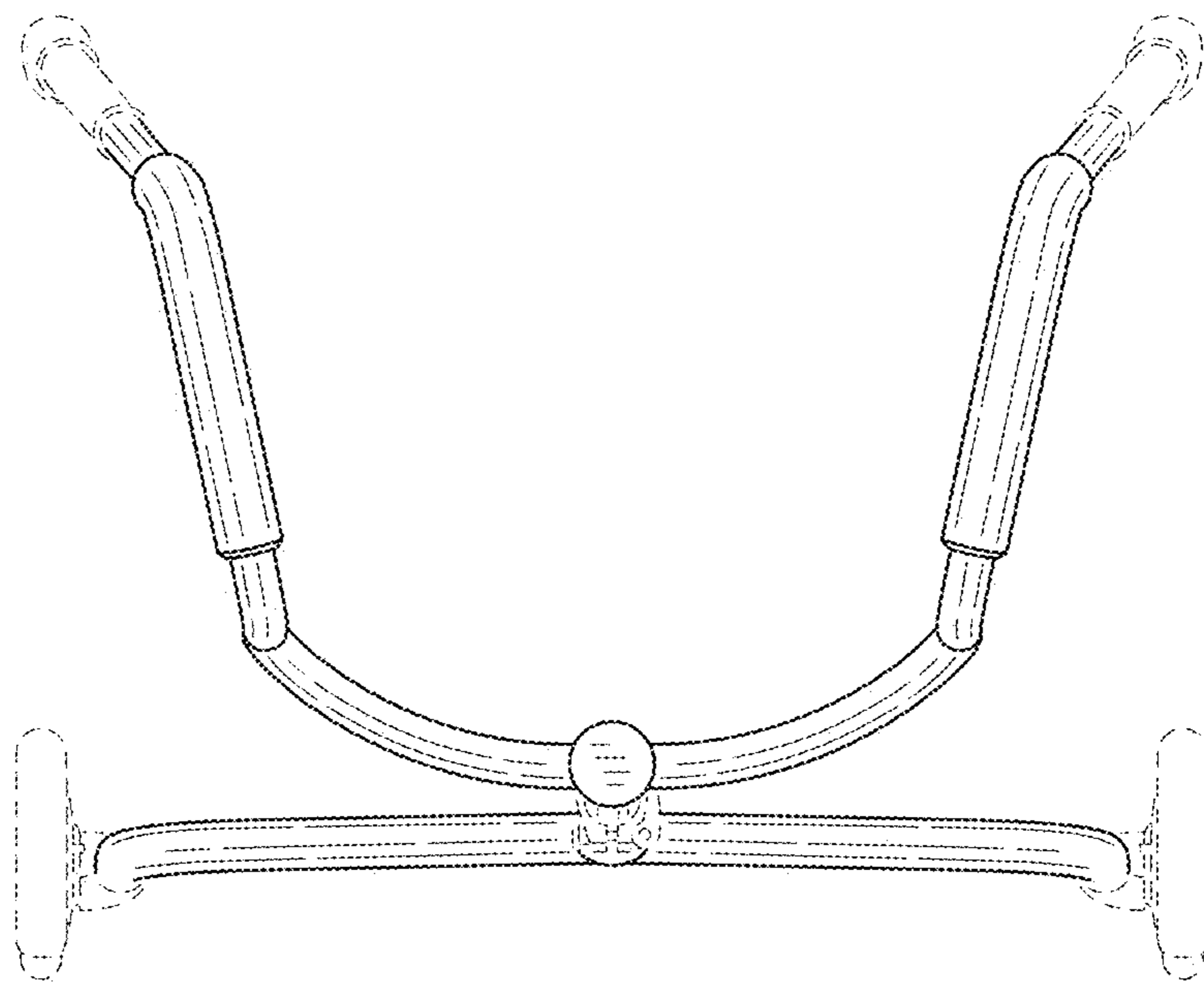


FIG.7

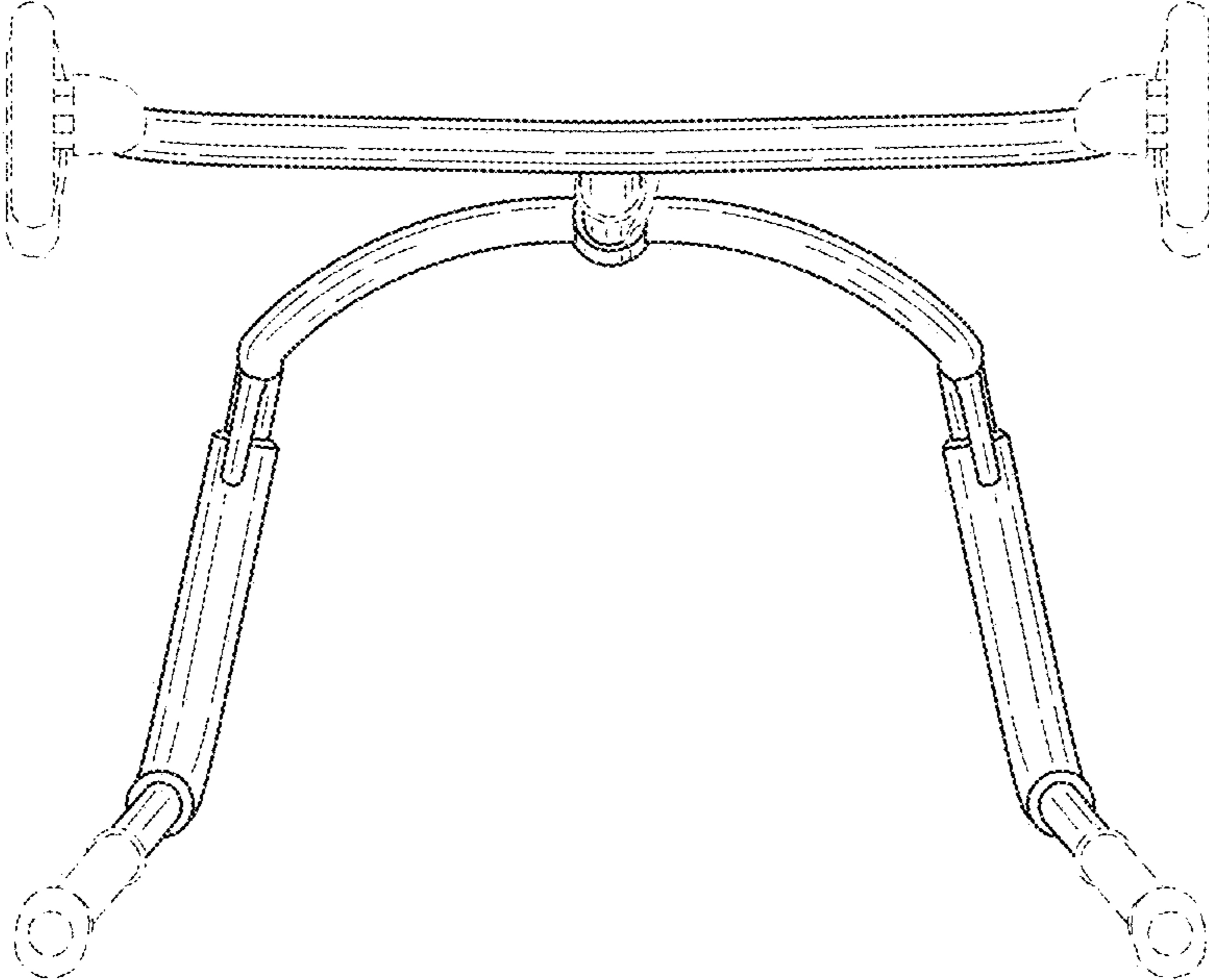


FIG.8

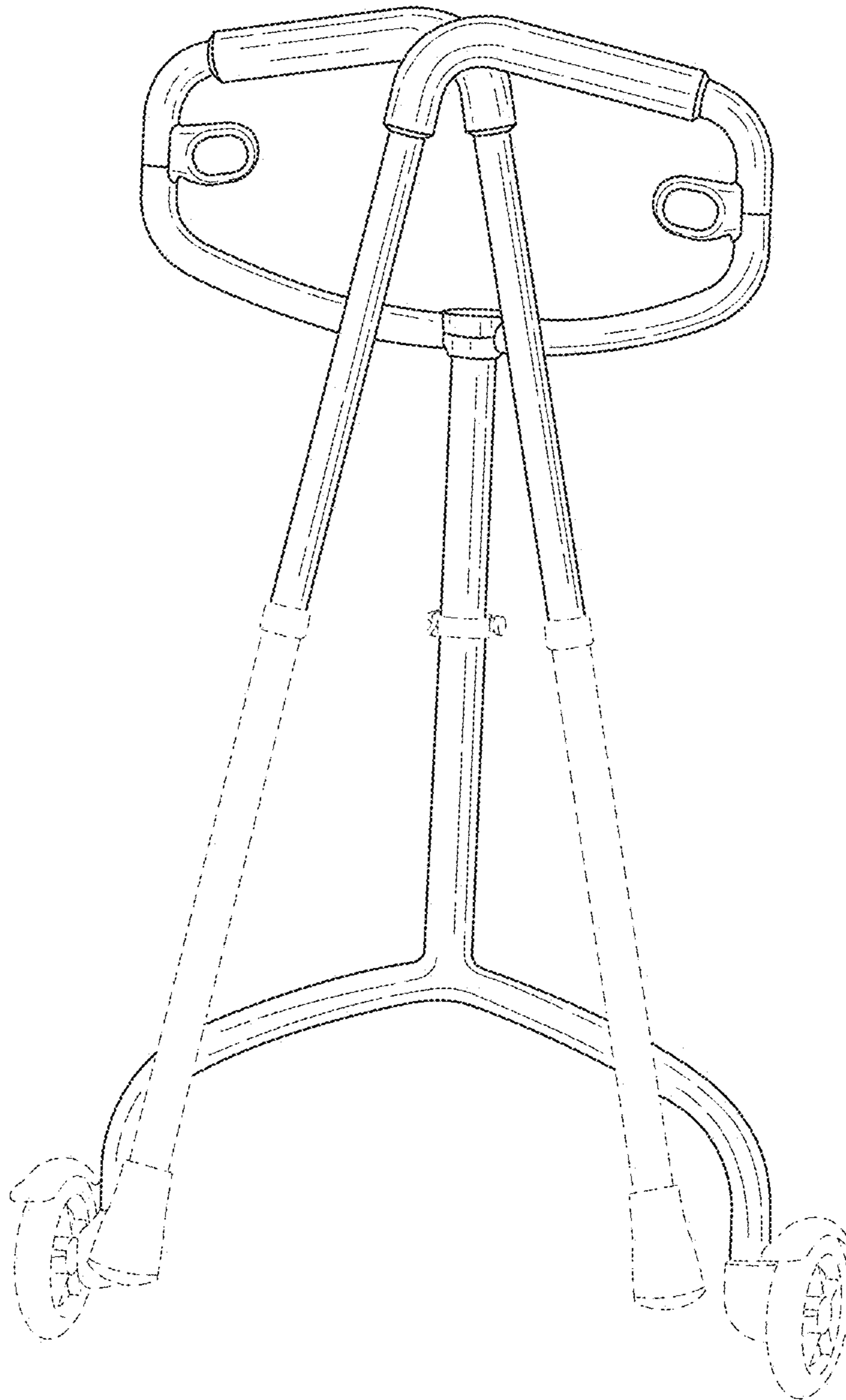


FIG. 9