



US00D977373S

(12) **United States Design Patent**
Li

(10) **Patent No.:** **US D977,373 S**
(45) **Date of Patent:** **** Feb. 7, 2023**

(54) **ROLLATOR**

FOREIGN PATENT DOCUMENTS

(71) Applicant: **Qingfeng Li**, Foshan (CN)

CN 113181014 A * 7/2021

(72) Inventor: **Qingfeng Li**, Foshan (CN)

OTHER PUBLICATIONS

(**) Term: **15 Years**

OasisSpace Walker, Published Jan. 26, 2021 [online], [retrieved on Dec. 4, 2021], Retrieved from the Internet: <https://www.amazon.com/OasisSpace-Fashion-Armrest-Walker-Rollator/dp/B08P2R3C36> (Year: 2021).*

(21) Appl. No.: **29/652,526**

* cited by examiner

(22) Filed: **Sep. 11, 2020**

(51) **LOC (14) Cl.** **12-12**

(52) **U.S. Cl.**

USPC **D12/130**

(58) **Field of Classification Search**

USPC D12/128, 129, 130, 131, 132, 133

CPC A61H 3/00; A61H 3/04; A61H 2003/001; A61H 2003/002; A61H 2003/003; A61H 2003/004; A61H 2003/005; A61H 2003/006; A61H 2003/007; A61H 2003/043; A61H 2003/046

See application file for complete search history.

Primary Examiner — Cary M Robinson

Assistant Examiner — Adam C Mager

(74) *Attorney, Agent, or Firm* — Dunlap Bennett & Ludwig, PLLC

(57) **CLAIM**

The ornamental design for a rollator, as shown and described.

DESCRIPTION

FIG. 1 is a perspective view of the rollator showing my new design;

FIG. 2 is a front elevation view of the rollator;

FIG. 3 is a back elevation view of the rollator;

FIG. 4 is a left side elevation view of the rollator;

FIG. 5 is a right side elevation view of the rollator;

FIG. 6 is a top plan view of the rollator; and,

FIG. 7 is a bottom plan view of the rollator.

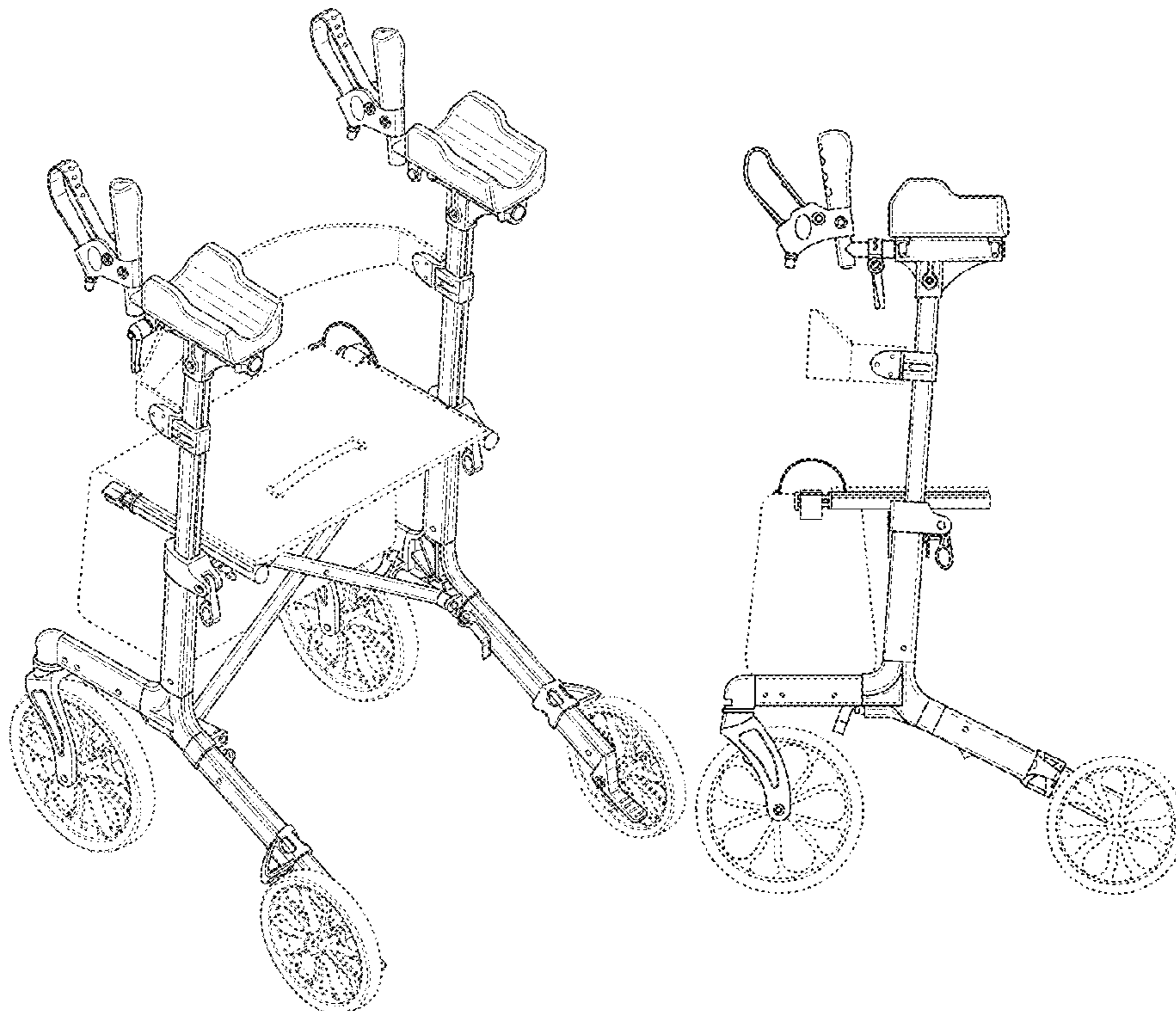
The broken lines shown in the drawings illustrate portions of the rollator that form no part of the claimed design.

(56) **References Cited**

U.S. PATENT DOCUMENTS

9,839,571	B2 *	12/2017	Pan	A61H 3/04
D836,499	S *	12/2018	Delatorre	D12/130
D897,243	S *	9/2020	Tsai	D12/130
2007/0267835	A1 *	11/2007	Huang	A61H 3/04 280/87.05
2017/0354564	A1 *	12/2017	Dirauf	G08B 21/0476
2020/0315901	A1 *	10/2020	Fellingham	A61H 3/04
2020/0352816	A1 *	11/2020	Lu	A61H 1/00

1 Claim, 4 Drawing Sheets



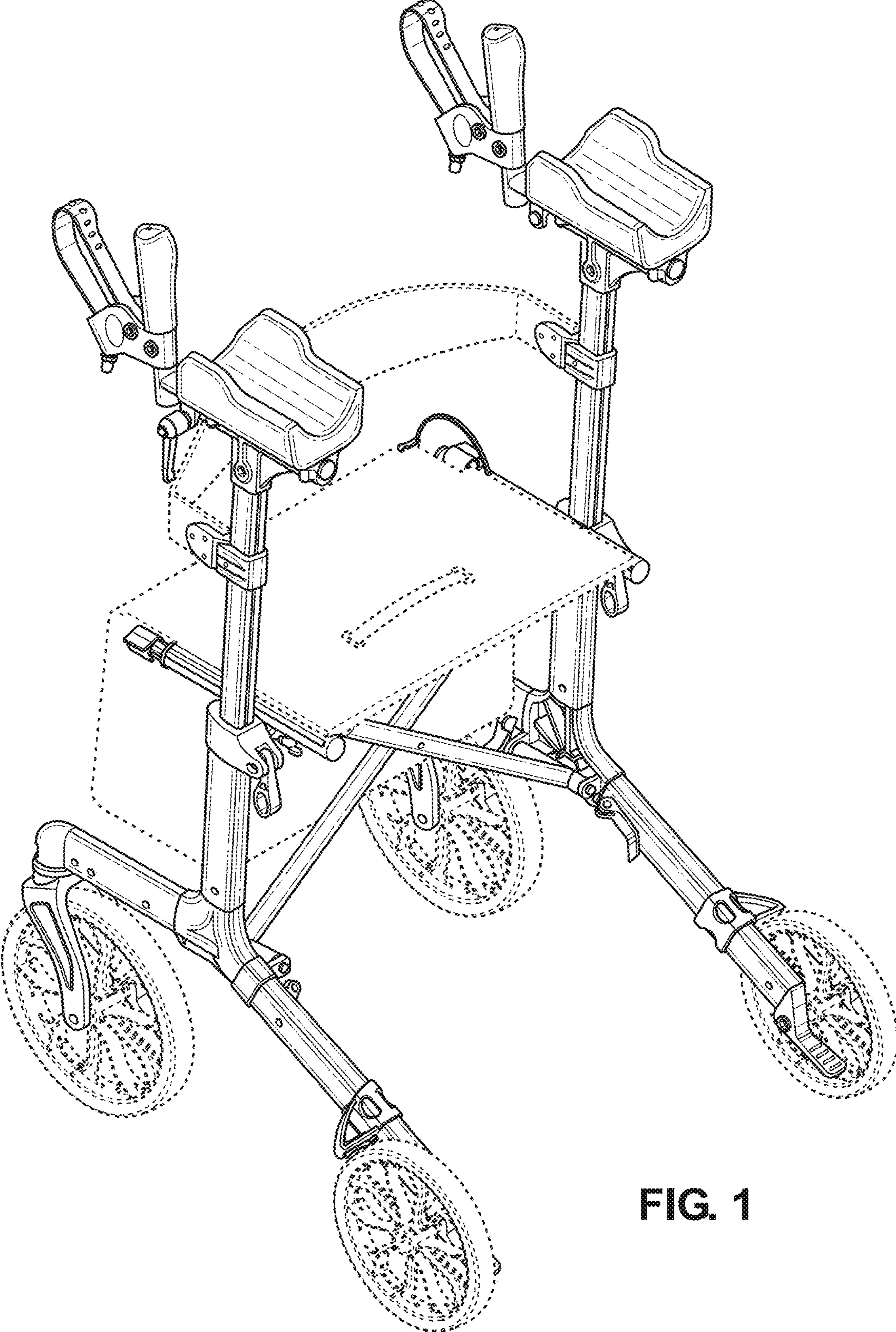


FIG. 1

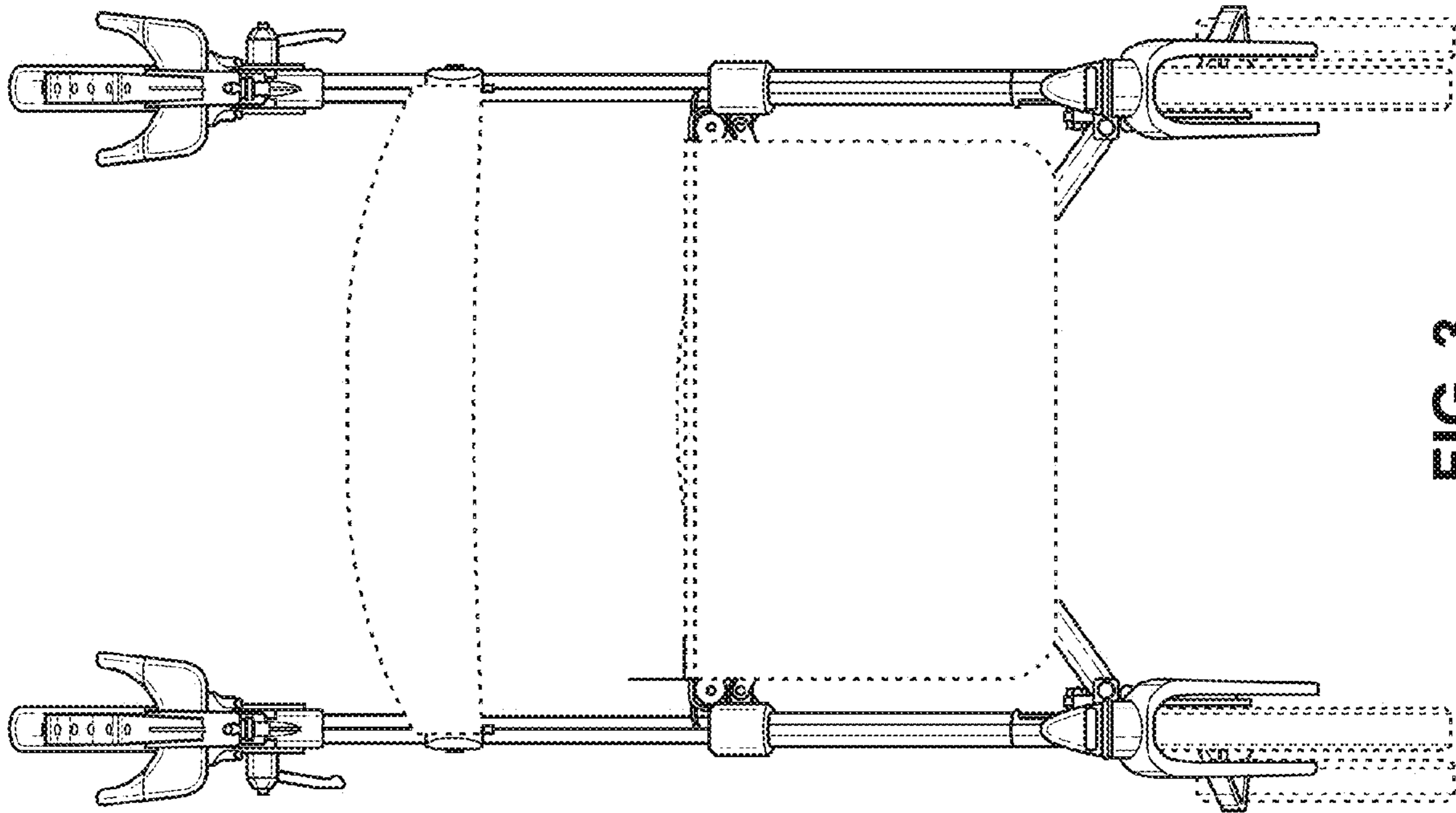


FIG. 3

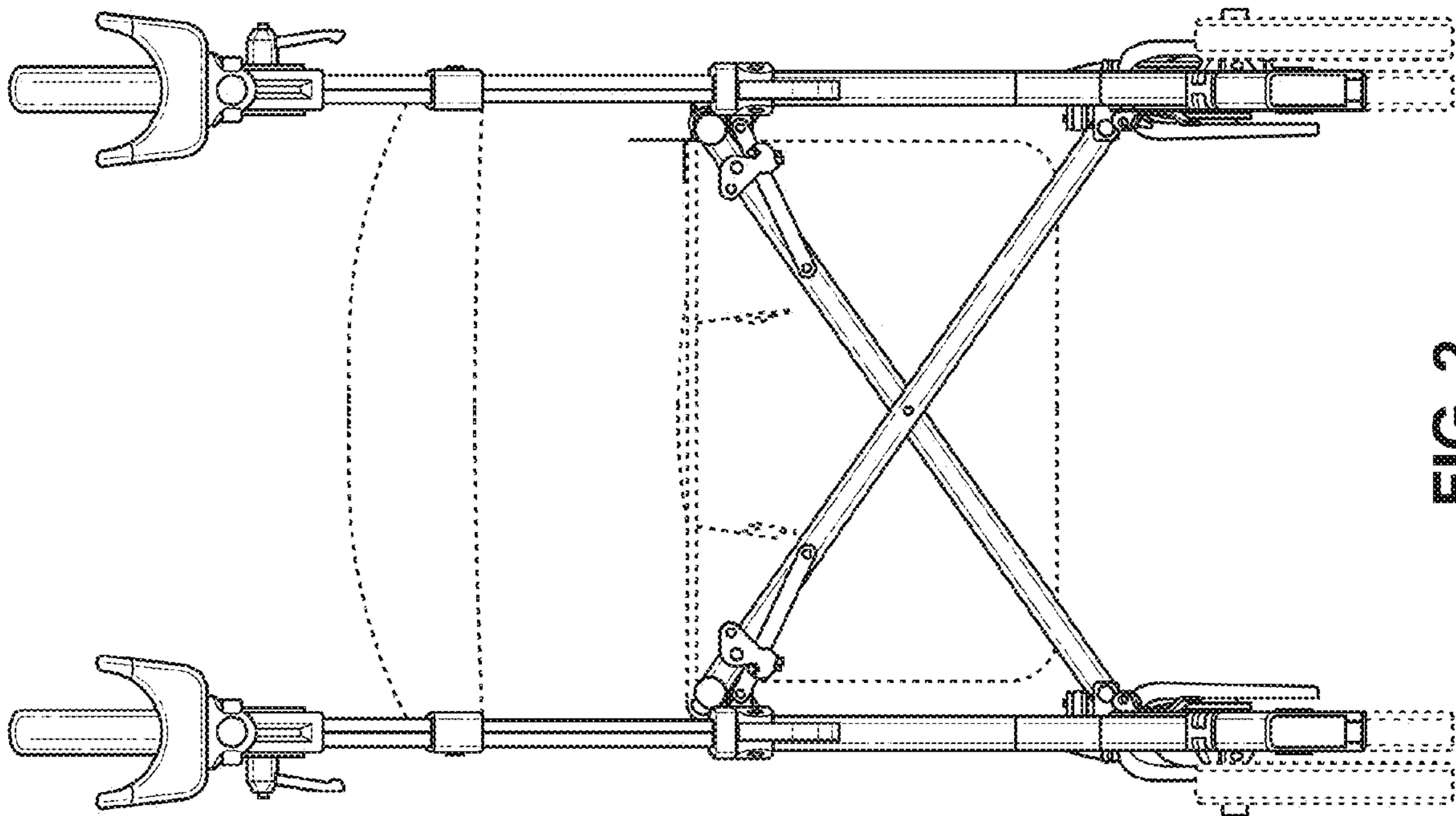


FIG. 2

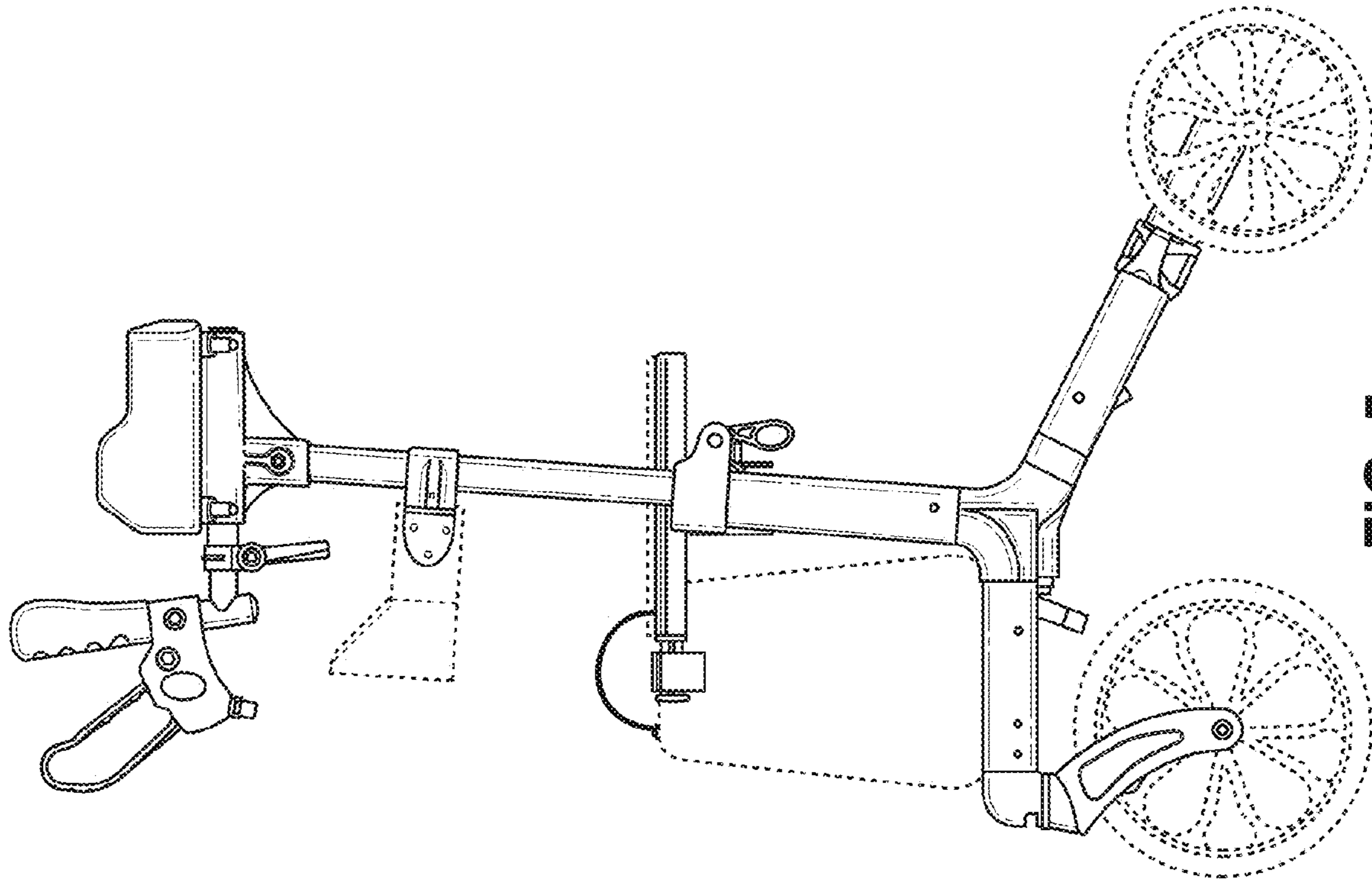


FIG. 5

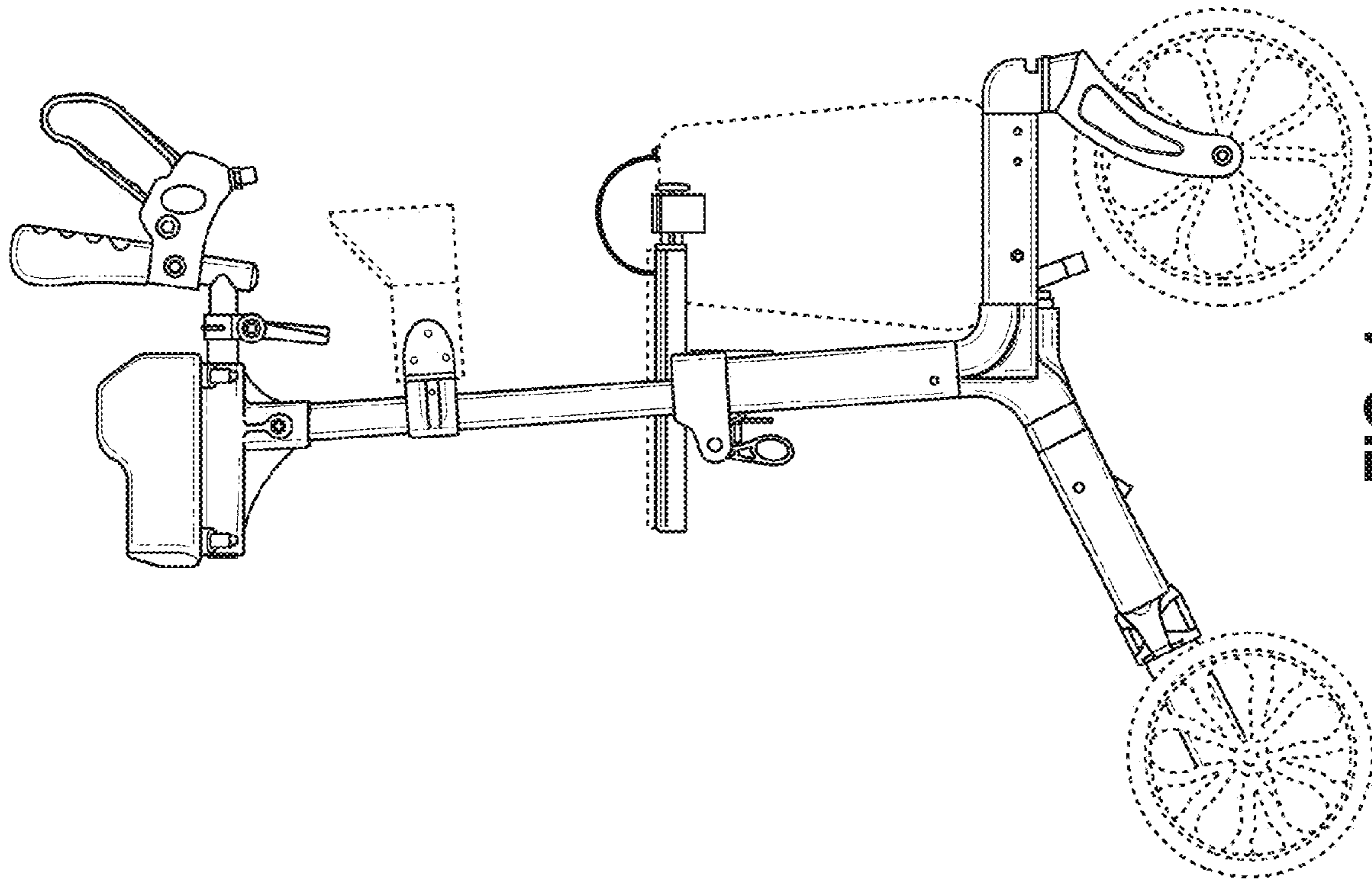


FIG. 4

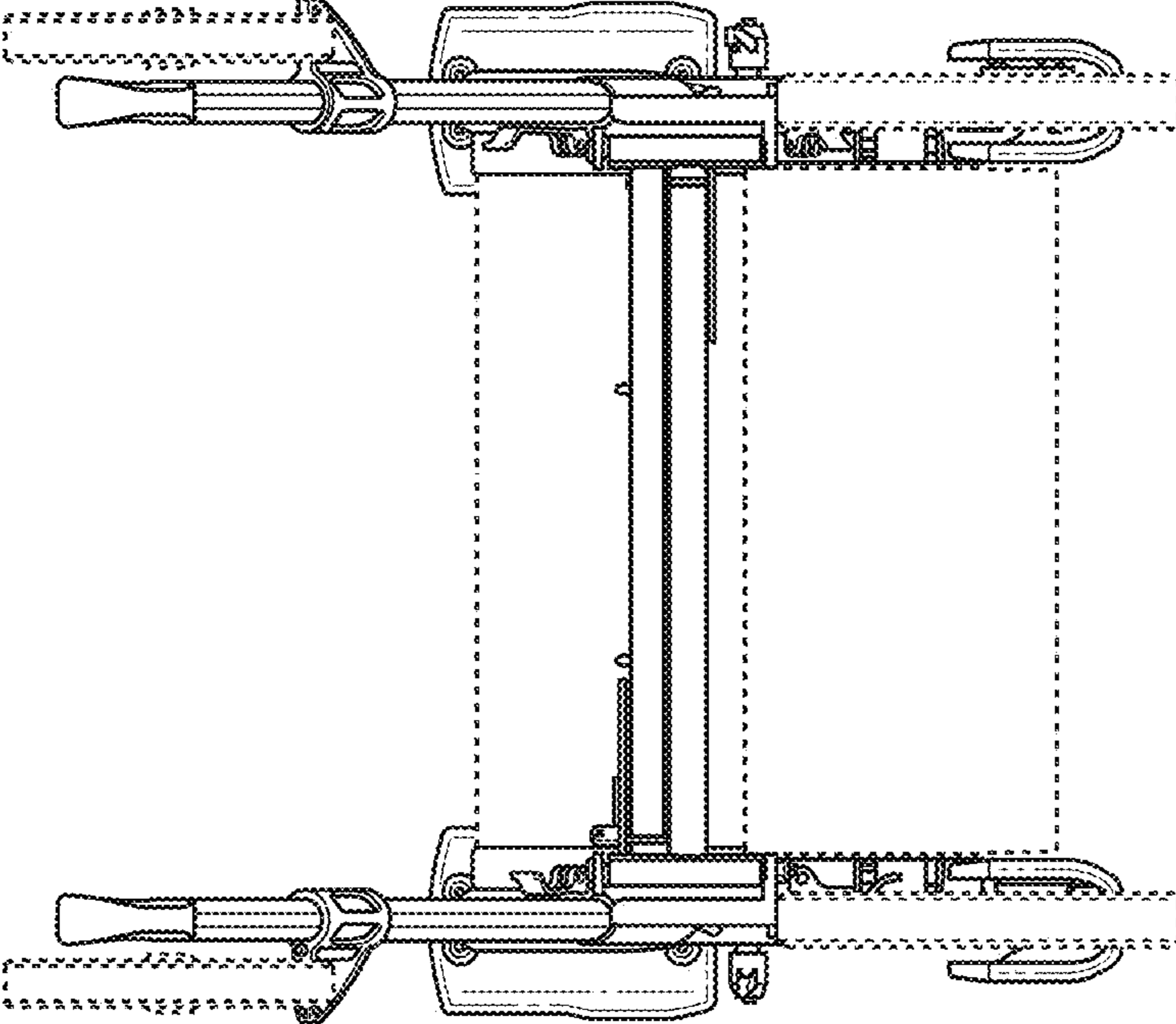


FIG. 7

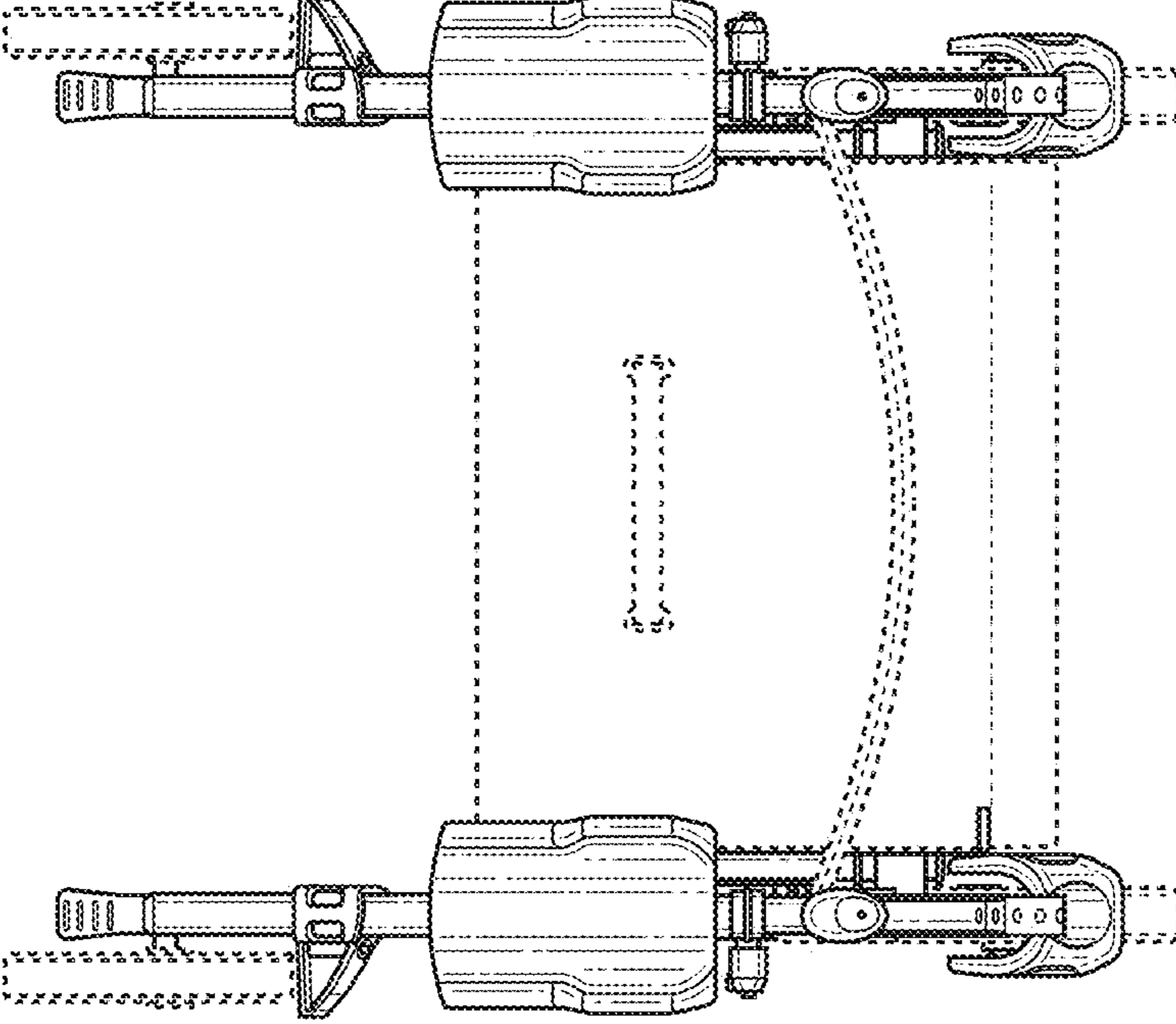


FIG. 6