



US00D977371S

(12) **United States Design Patent** (10) **Patent No.:** **US D977,371 S**  
**Silby** (45) **Date of Patent:** **\*\* Feb. 7, 2023**

(54) **DISPLAY DEVICE FOR AN ELECTRIC BICYCLE**

FOREIGN PATENT DOCUMENTS

(71) Applicant: **Rad Power Bikes Inc.**, Seattle, WA (US)

GB 6176372 \* 11/2021

(72) Inventor: **Jake Silby**, Seattle, WA (US)

OTHER PUBLICATIONS

(73) Assignee: **Rad Power Bikes Inc.**, Seattle, WA (US)

CZ-Bostar, E-Bike LCD display with Bluetooth for optional, published Sep. 21, 2021 [retrieved Nov. 16, 2022]. Retrieved from the internet<<https://www.bostarpower.com/Product/E-bike-LCD-display-with-bluetooth-for-optional.html>> (Year: 2021).\*

(\*\*) Term: **15 Years**

Wayback Machine, Rad Power Bike LCD Display Upgrade, published Jul. 8, 2021 [retrieved Nov. 17, 2022]. Retrieved from the internet<<https://www.radpowerbikes.com/products/lcd-display-upgrade>> (Year: 2021).\*

(21) Appl. No.: **29/784,448**

(Continued)

(22) Filed: **May 19, 2021**

(51) **LOC (14) Cl.** ..... **12-16**

*Primary Examiner* — Joseph Kukella

(52) **U.S. Cl.**

*Assistant Examiner* — Lavon M. Amerson

USPC ..... **D12/114**

(74) *Attorney, Agent, or Firm* — AMPACC Law Group, PLLC

(58) **Field of Classification Search**

USPC ..... D12/114; D14/258, 299, 344, 356, 358, D14/432; D24/167, 186; D10/65, 70, D10/101

CPC ..... H04R 1/083; H04R 1/222; H04R 1/023; H04R 2400/00; H04R 17/02

See application file for complete search history.

(57) **CLAIM**

The ornamental design for a display device for an electric bicycle, as shown and described.

(56) **References Cited**

**DESCRIPTION**

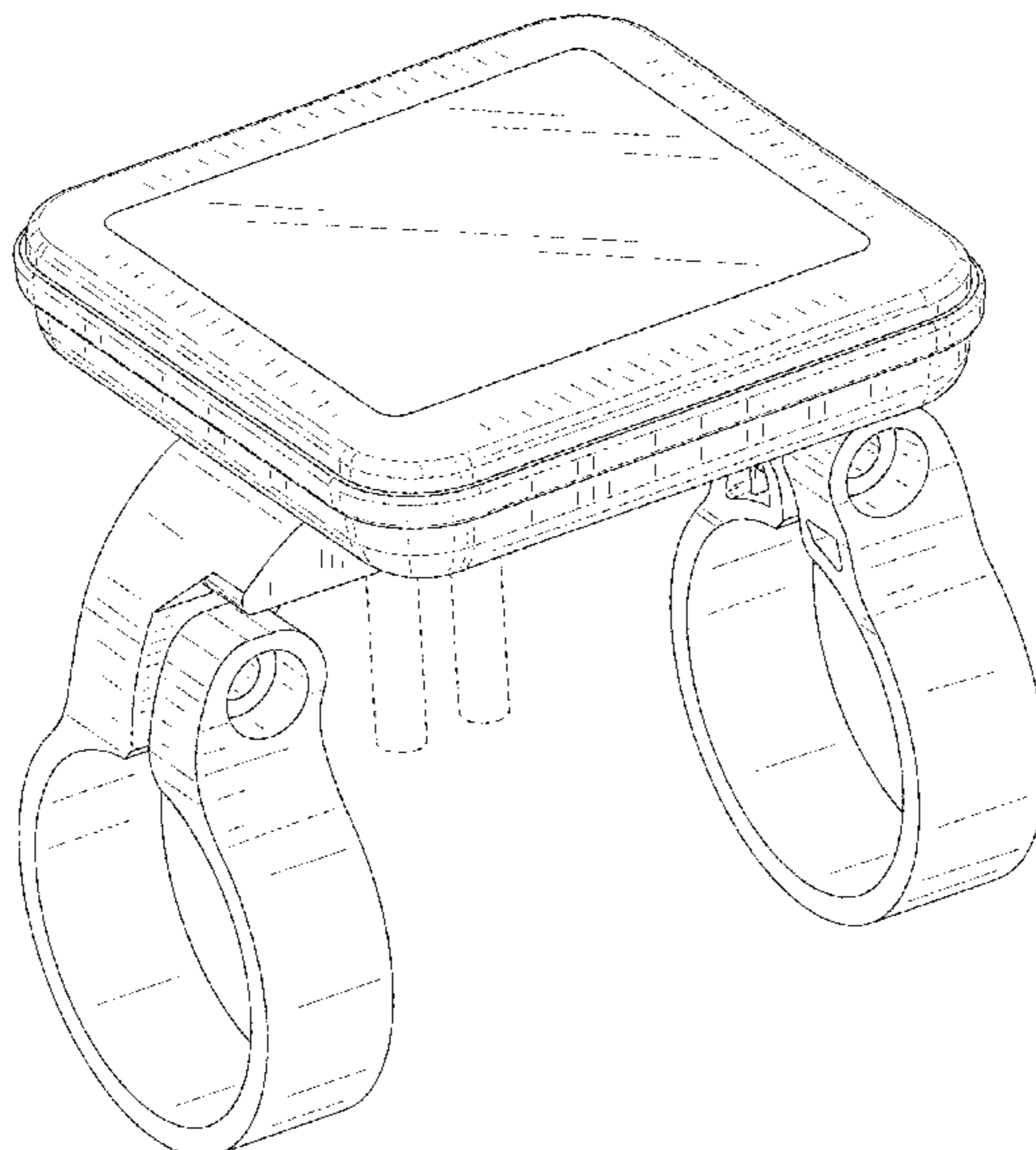
U.S. PATENT DOCUMENTS

D334,721 S	*	4/1993	Katz	.....	D12/114
D334,897 S	*	4/1993	Katz	.....	D12/114
D632,984 S	*	2/2011	Register	.....	D10/65
D727,181 S	*	4/2015	Papadourakis	.....	D10/70
D765,072 S	*	8/2016	Kwon	.....	D10/70
D772,219 S	*	11/2016	Daniels	.....	D12/407
D784,982 S	*	4/2017	Alberola	.....	D10/74
D795,874 S	*	8/2017	Szeremeta	.....	D3/273
D829,213 S	*	9/2018	Szeremeta	.....	D3/273
D842,724 S	*	3/2019	Vandenbussche	.....	D10/70
D864,767 S	*	10/2019	Vandenbussche	.....	D10/70
D877,637 S	*	3/2020	Haag	.....	D10/98
D922,376 S	*	6/2021	Zheng	.....	D14/344

FIG. 1 is a perspective view thereof;  
FIG. 2 is a bottom plan thereof;  
FIG. 3 is a top plan view thereof;  
FIG. 4 is a right-side view thereof;  
FIG. 5 is a left-side view thereof;  
FIG. 6 is a front view thereof; and,  
FIG. 7 is a back view thereof.

The evenly dashed-lines represent the remainder of the article and do not form part of the claimed design, are directed to environment, and represent unclaimed subject matter.

**1 Claim, 7 Drawing Sheets**



(56)

**References Cited**

OTHER PUBLICATIONS

Cmacewheel, Electric bike M8/MK811/M5 Display user's Manual for GW20, published May 17, 2022 [retrieved Nov. 17, 2022]. Retrieved from the internet<<https://media.elementor.cloud/cmacewheel-m5-m8-hk811-manual-for-gw20-y20-ks26/>> (Year: 2022).\*

\* cited by examiner

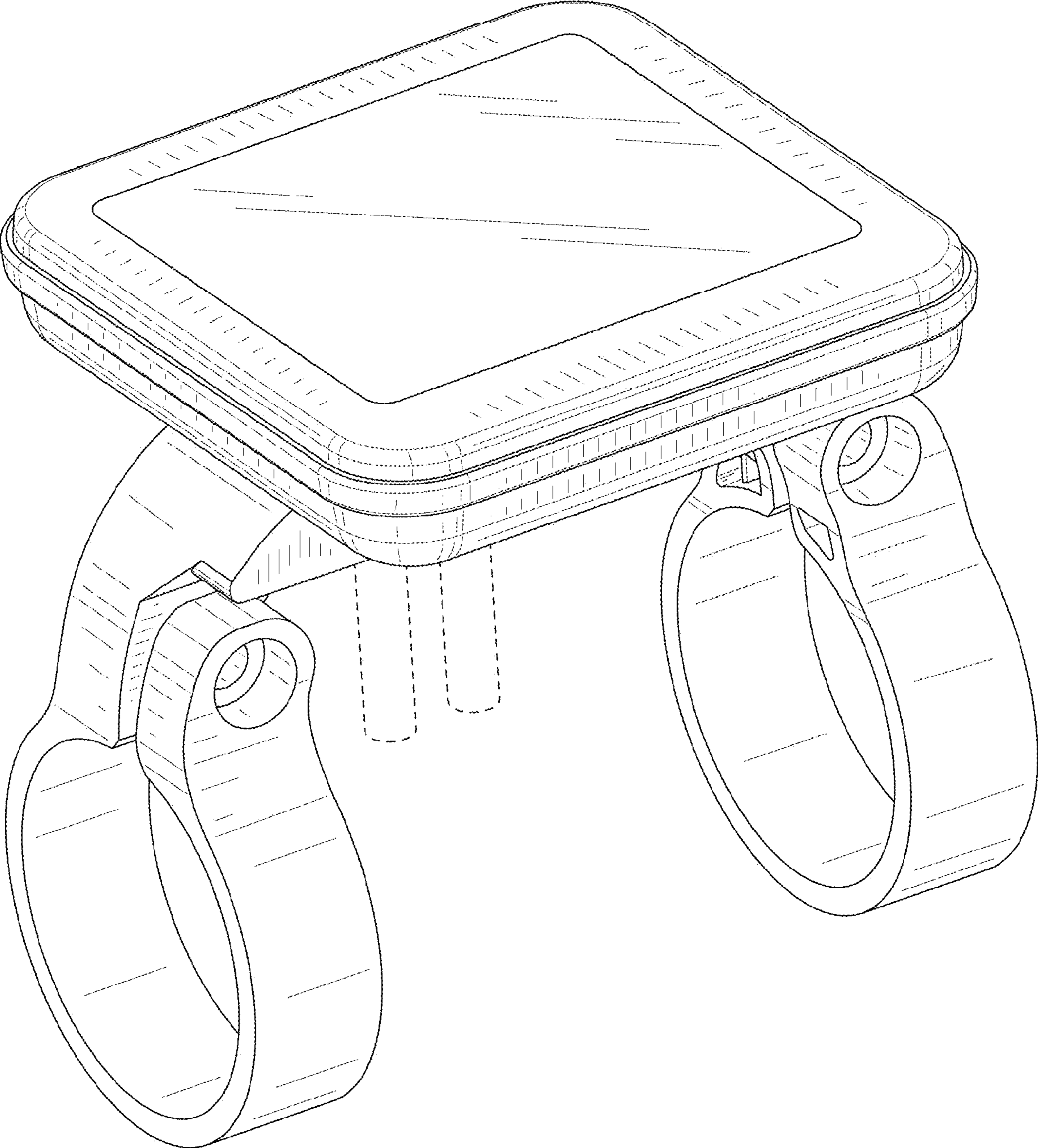


FIG. 1

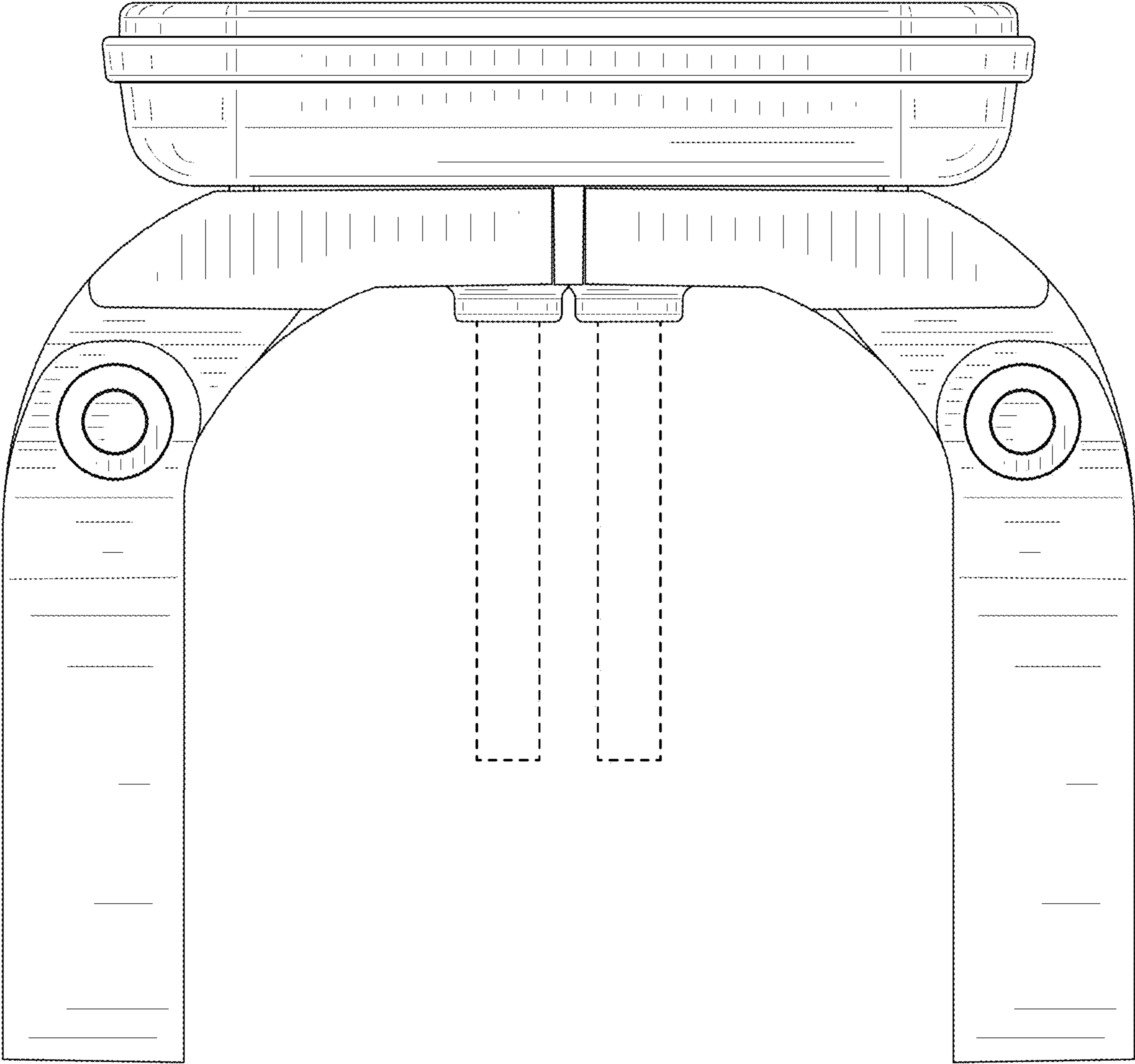


FIG. 2

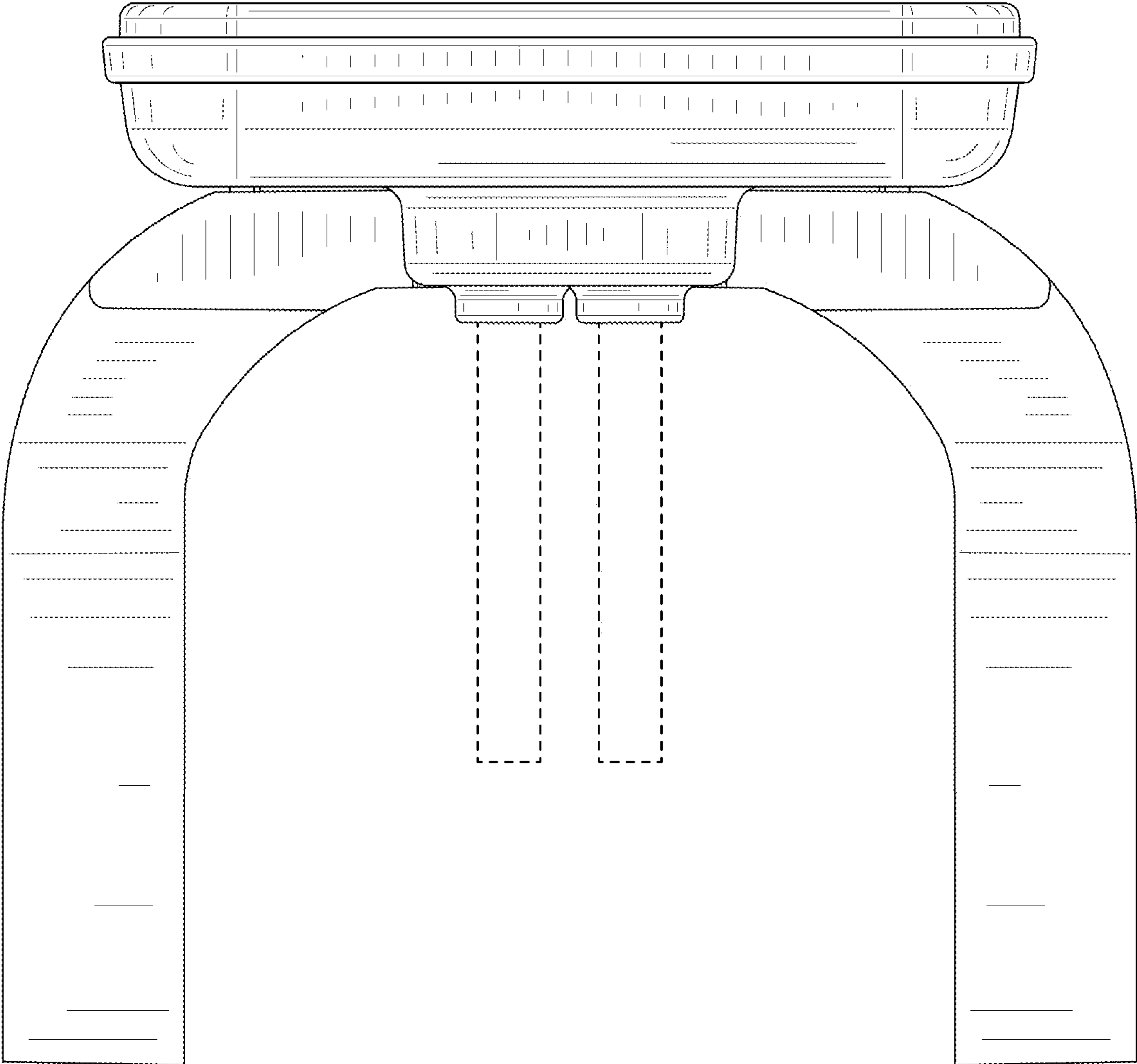


FIG. 3

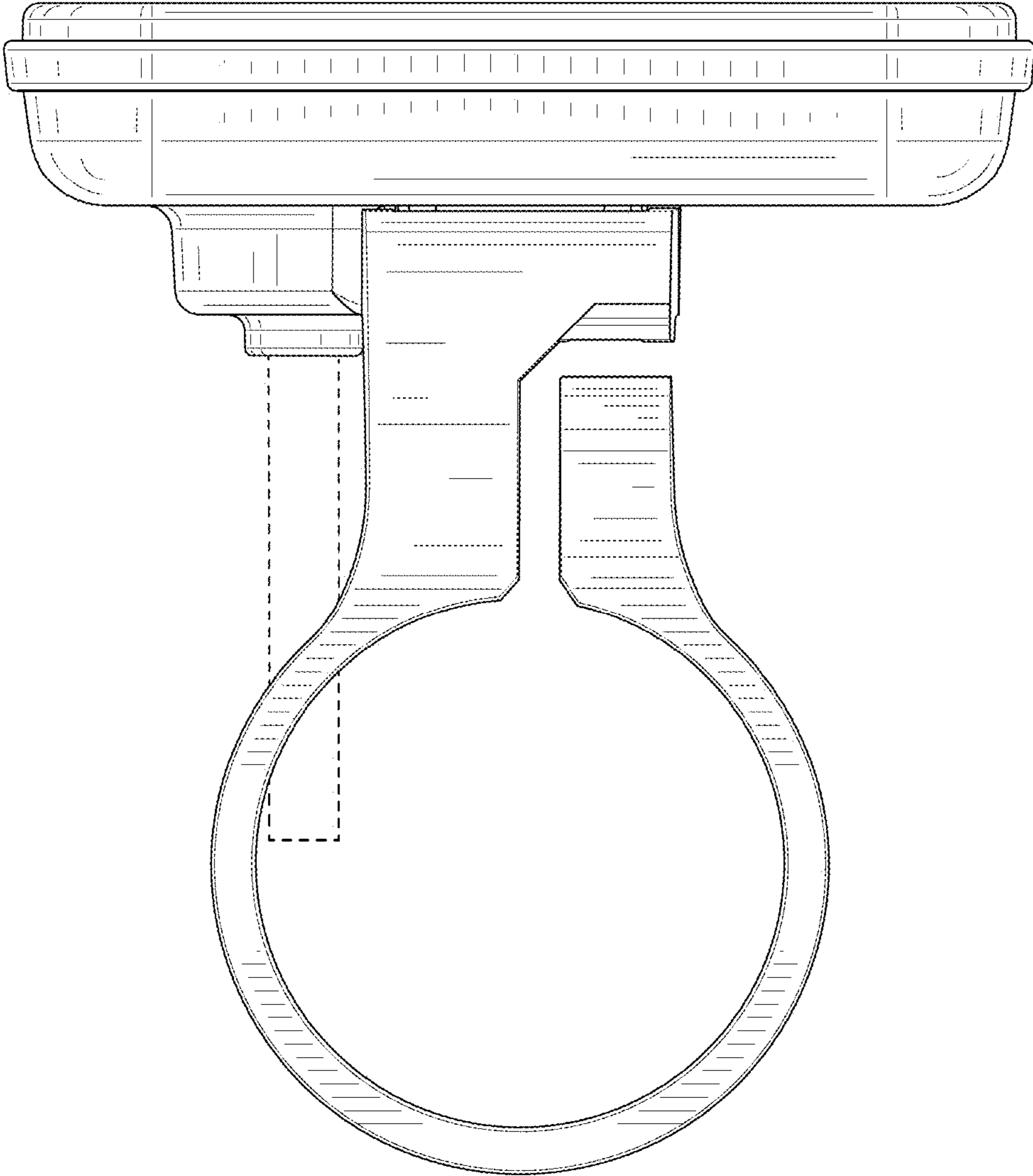


FIG. 4

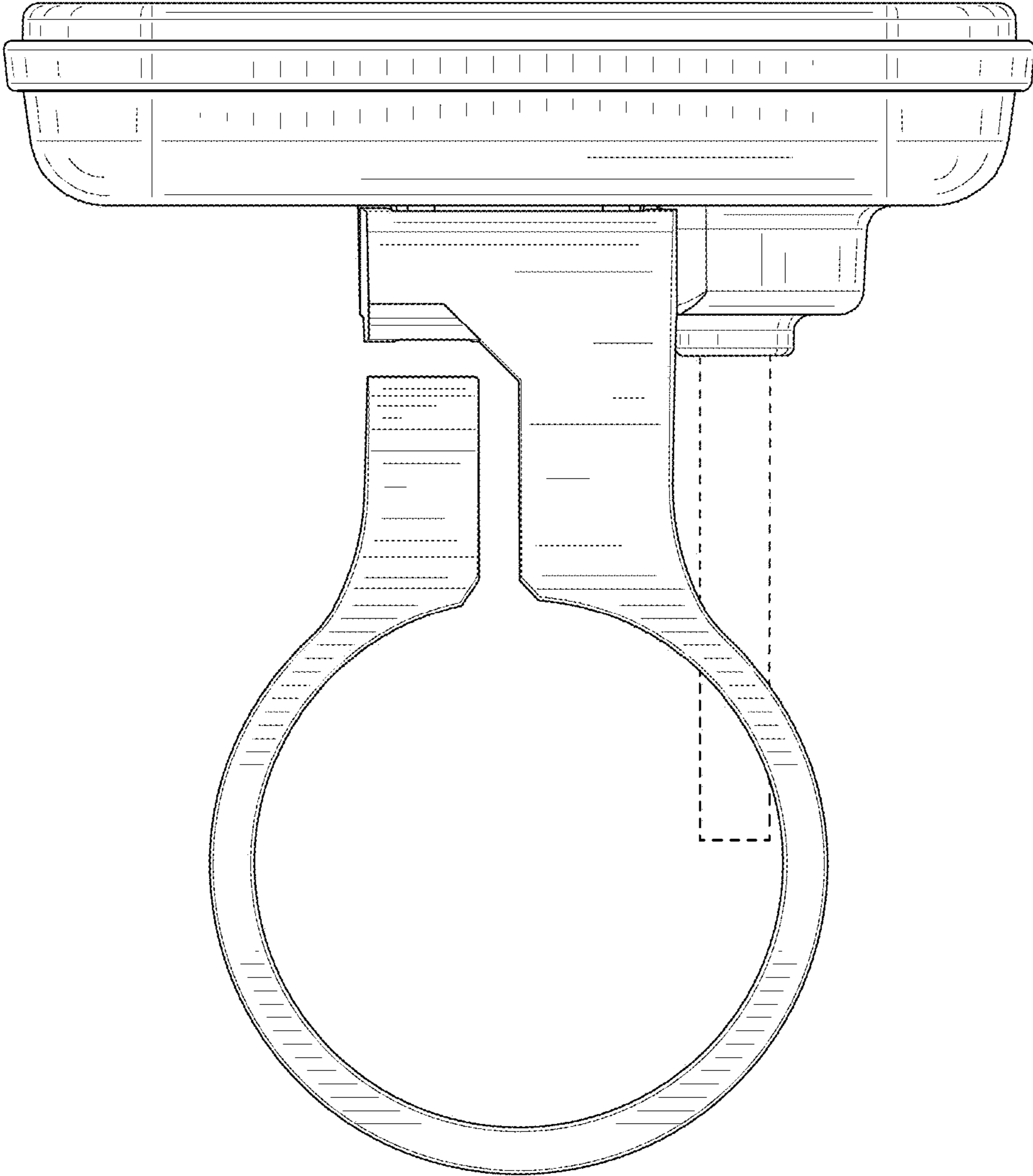


FIG. 5

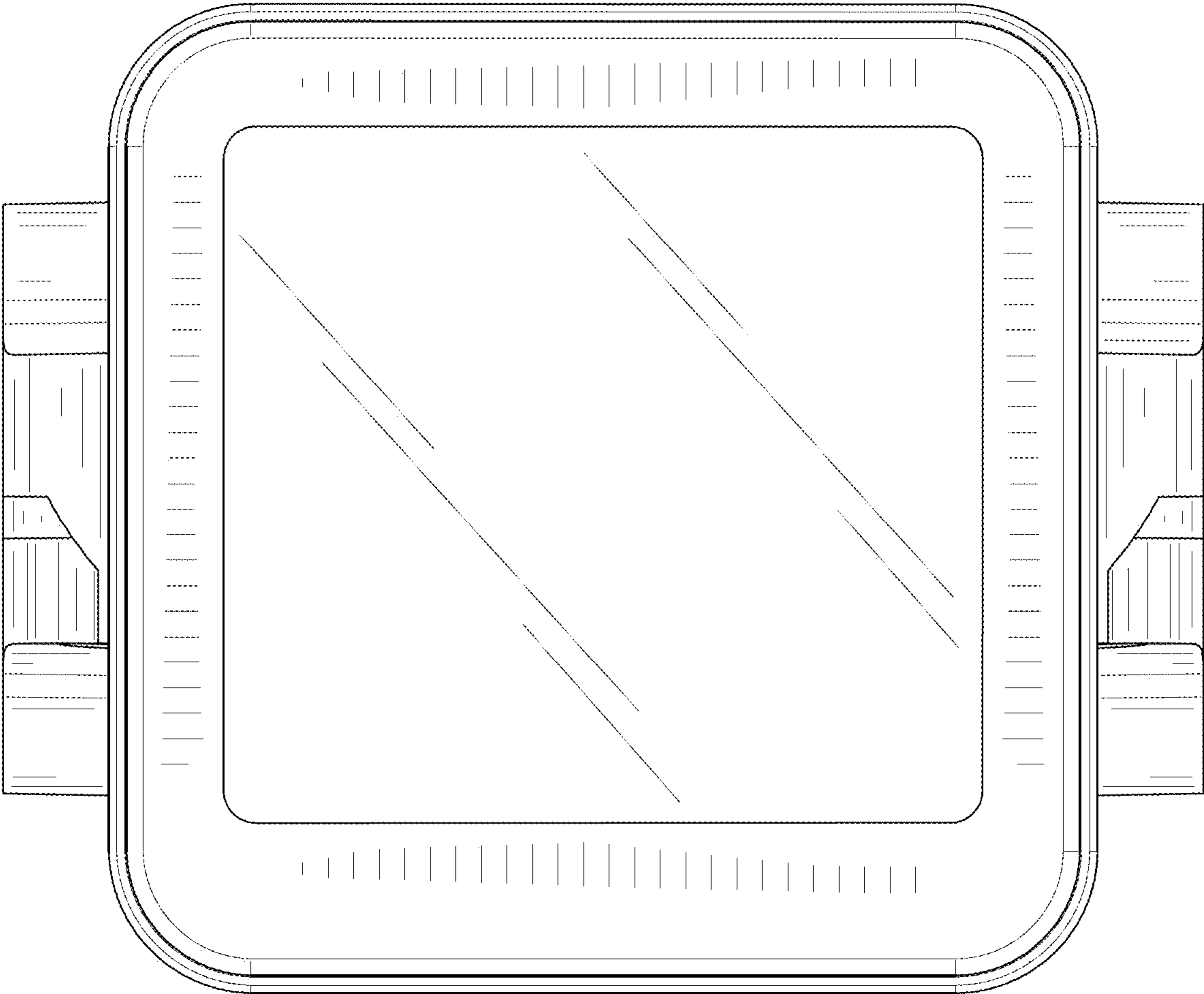


FIG. 6



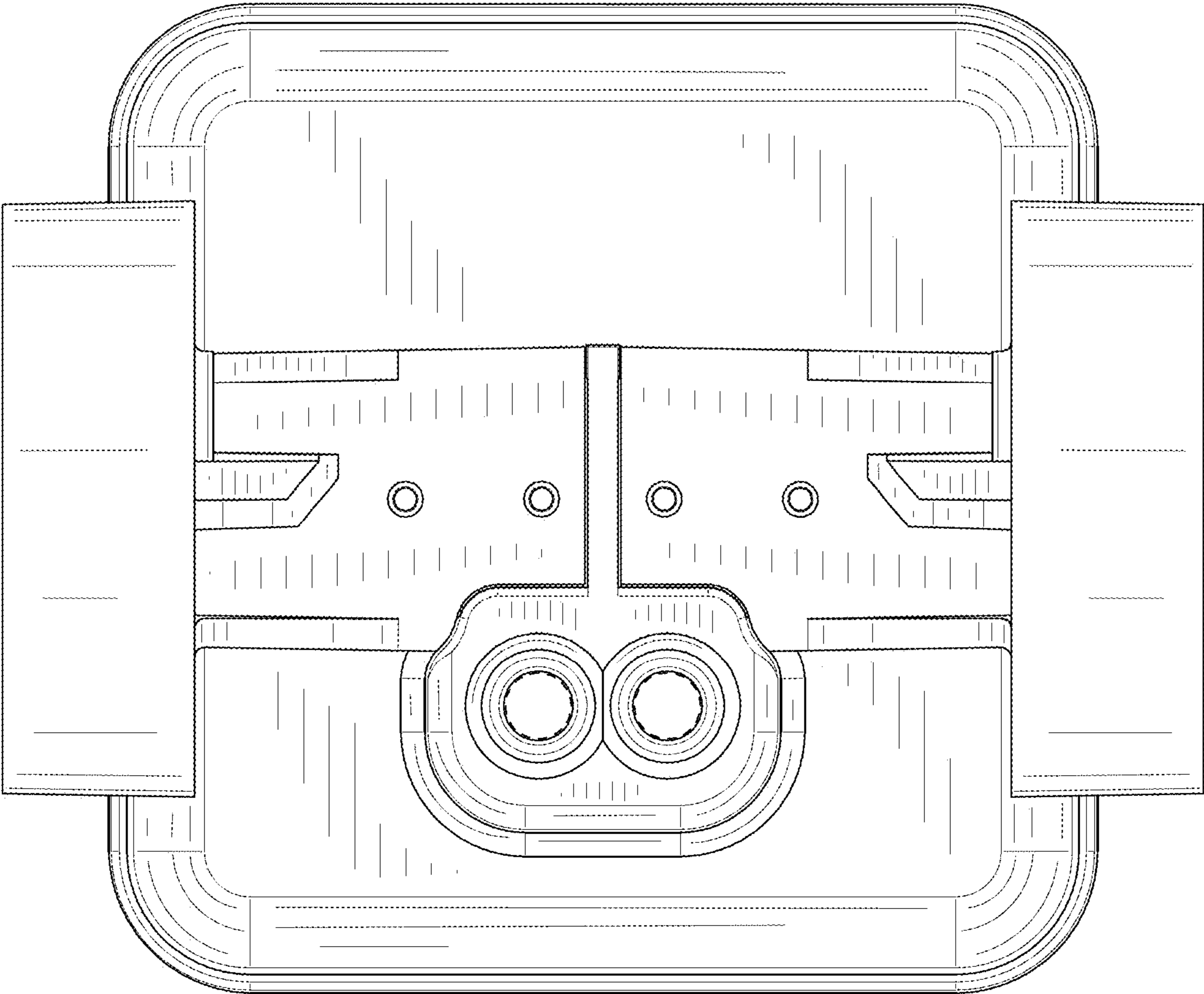


FIG. 7