



US00D977369S

(12) **United States Design Patent** (10) **Patent No.:** **US D977,369 S**
Sverdlov et al. (45) **Date of Patent:** **** Feb. 7, 2023**

(54) **BUS EXTERIOR**

(71) Applicant: **ARRIVAL LTD.**, London (GB)

(72) Inventors: **Denis Sverdlov**, London (GB); **Jeremy Offer**, London (GB); **Angus Dick**, London (GB)

(73) Assignee: **ARRIVAL LTD.**, London (GB)

(**) Term: **15 Years**

(21) Appl. No.: **29/762,486**

(22) Filed: **Dec. 16, 2020**

(30) **Foreign Application Priority Data**

Jun. 16, 2020 (EM) 008006530

Dec. 14, 2020 (EM) 008321087

(51) **LOC (14) Cl.** **12-08**

(52) **U.S. Cl.**
USPC **D12/84**

(58) **Field of Classification Search**
USPC D12/82, 84, 86, 92, 100

(Continued)

(56) **References Cited**

U.S. PATENT DOCUMENTS

D248,033 S * 5/1978 James D12/84

D254,609 S * 4/1980 Neal D12/84

(Continued)

Primary Examiner — Darlington Ly

(74) *Attorney, Agent, or Firm* — Saul Ewing LLP

(57) **CLAIM**

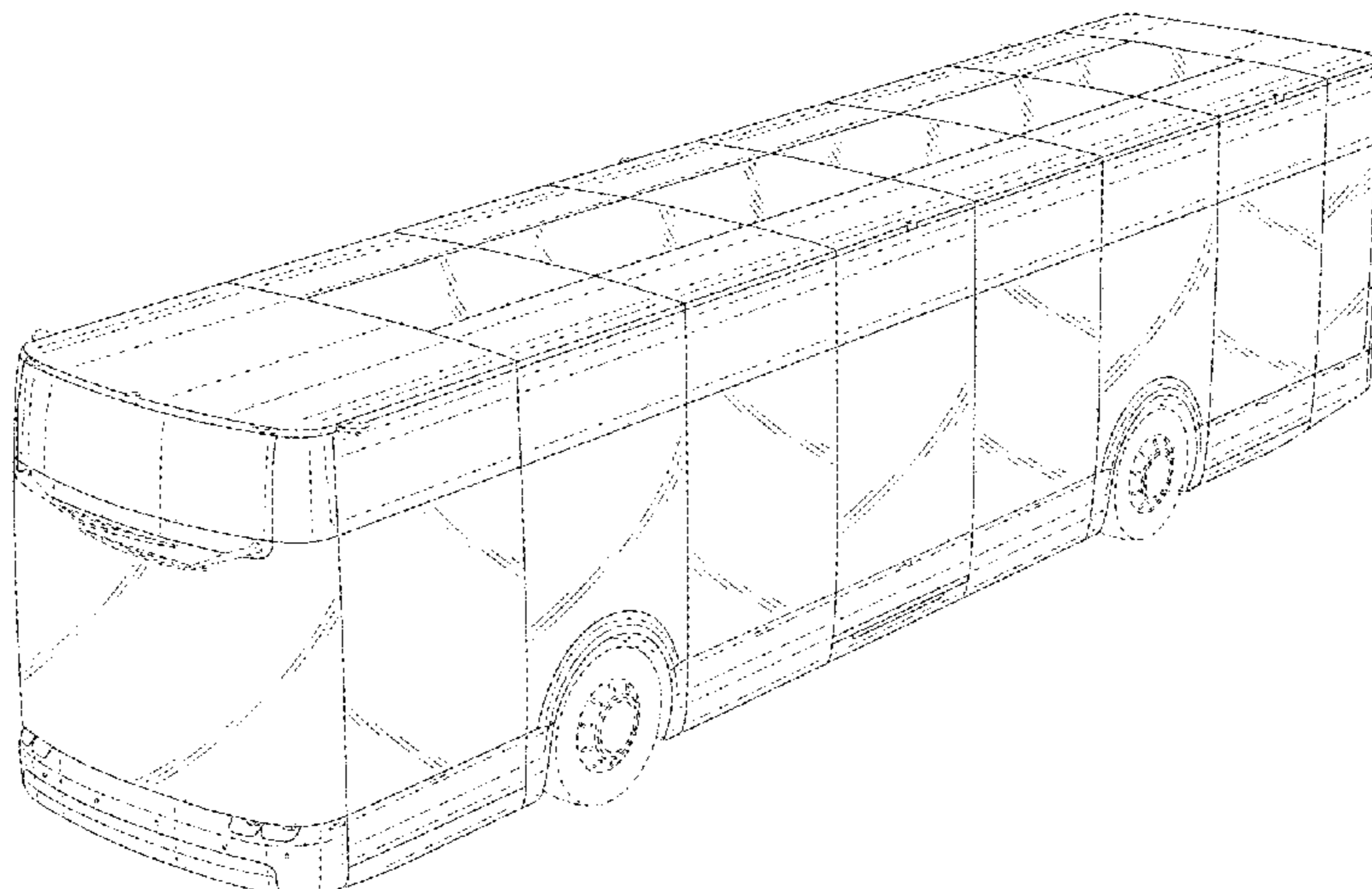
The ornamental design for a bus exterior, as shown and described.

DESCRIPTION

FIG. 1 is a front and left side perspective view of a first embodiment of a bus exterior in which the passenger doors are on the left side of the bus;

FIG. 2 is a front elevation view thereof;
FIG. 3 is a rear elevation view thereof;
FIG. 4 is a right side elevation view thereof;
FIG. 5 is a left side elevation view thereof;
FIG. 6 is a top plan view thereof; and
FIG. 7 is a bottom plan view thereof.
FIG. 8 is a front and left side perspective view of a second embodiment of a bus exterior in which the passenger doors are on the right side of the bus;
FIG. 9 is a front elevation view thereof;
FIG. 10 is a rear elevation view thereof;
FIG. 11 is a right side elevation view thereof;
FIG. 12 is a left side elevation view thereof;
FIG. 13 is a top plan view thereof; and
FIG. 14 is a bottom plan view thereof.
FIG. 15 is a front and left side perspective view of a third embodiment of a bus exterior in which the passenger doors are on the left side of the bus;
FIG. 16 is a front elevation view thereof;
FIG. 17 is a rear elevation view thereof;
FIG. 18 is a right side elevation view thereof;
FIG. 19 is a left side elevation view thereof;
FIG. 20 is a top plan view thereof; and
FIG. 21 is a bottom plan view thereof.
FIG. 22 is a front and left side perspective view of a fourth embodiment of a bus exterior in which the passenger doors are on the left side of the bus;
FIG. 23 is a front elevation view thereof;
FIG. 24 is a rear elevation view thereof;
FIG. 25 is a right side elevation view thereof;
FIG. 26 is a left side elevation view thereof;
FIG. 27 is a top plan view thereof; and
FIG. 28 is a bottom plan view thereof.
FIG. 29 is a front and left side perspective view of a fifth embodiment of a bus exterior in which the passenger doors are on the right side of the bus;
FIG. 30 is a front elevation view thereof;
FIG. 31 is a rear elevation view thereof;
FIG. 32 is a right side elevation view thereof;
FIG. 33 is a left side elevation view thereof;
FIG. 34 is a top plan view thereof; and
FIG. 35 is a bottom plan view thereof.

(Continued)



The portions of the bus exterior shown in broken lines form no part of the claimed design.

1 Claim, 20 Drawing Sheets

(58) Field of Classification Search

CPC B62D 23/00; B62D 25/00; B62D 31/02;
B62D 31/04; B62D 53/062; B62D 65/00;
B60G 2202/152; B60G 2300/14; B60P
3/007; B21D 53/88

See application file for complete search history.

(56) References Cited

U.S. PATENT DOCUMENTS

D255,340 S * 6/1980 Flesche D12/84
D257,141 S * 9/1980 Flesche D12/84
D268,997 S * 5/1983 Dubernard D12/84
D302,802 S * 8/1989 Manning D12/84

D305,623 S * 1/1990 Gallitzendoerfer D12/84
D345,120 S * 3/1994 Normand, Jr. D12/84
D376,562 S * 12/1996 Sealy D12/84
5,669,307 A * 9/1997 Cichy B62D 31/02
D12/84
D442,888 S * 5/2001 Papke D12/84
D503,126 S * 3/2005 Papke D12/84
D531,933 S * 11/2006 Delamour D12/84
D537,755 S * 3/2007 Toth D12/84
D617,236 S * 6/2010 Counts D12/84
D637,520 S * 5/2011 Kerr D12/84
D642,092 S * 7/2011 Wiens D12/84
D704,595 S * 5/2014 Streicher D12/84
D714,187 S * 9/2014 Lian D12/84
D717,210 S * 11/2014 Wang D12/84
D718,659 S * 12/2014 Lin D12/84
D721,297 S * 1/2015 Zhang D12/84
D721,298 S * 1/2015 Li D12/84
2009/0224570 A1 * 9/2009 Haswell B62D 31/04
296/178
2012/0161469 A1 * 6/2012 Kerr B62D 47/02
296/178

* cited by examiner

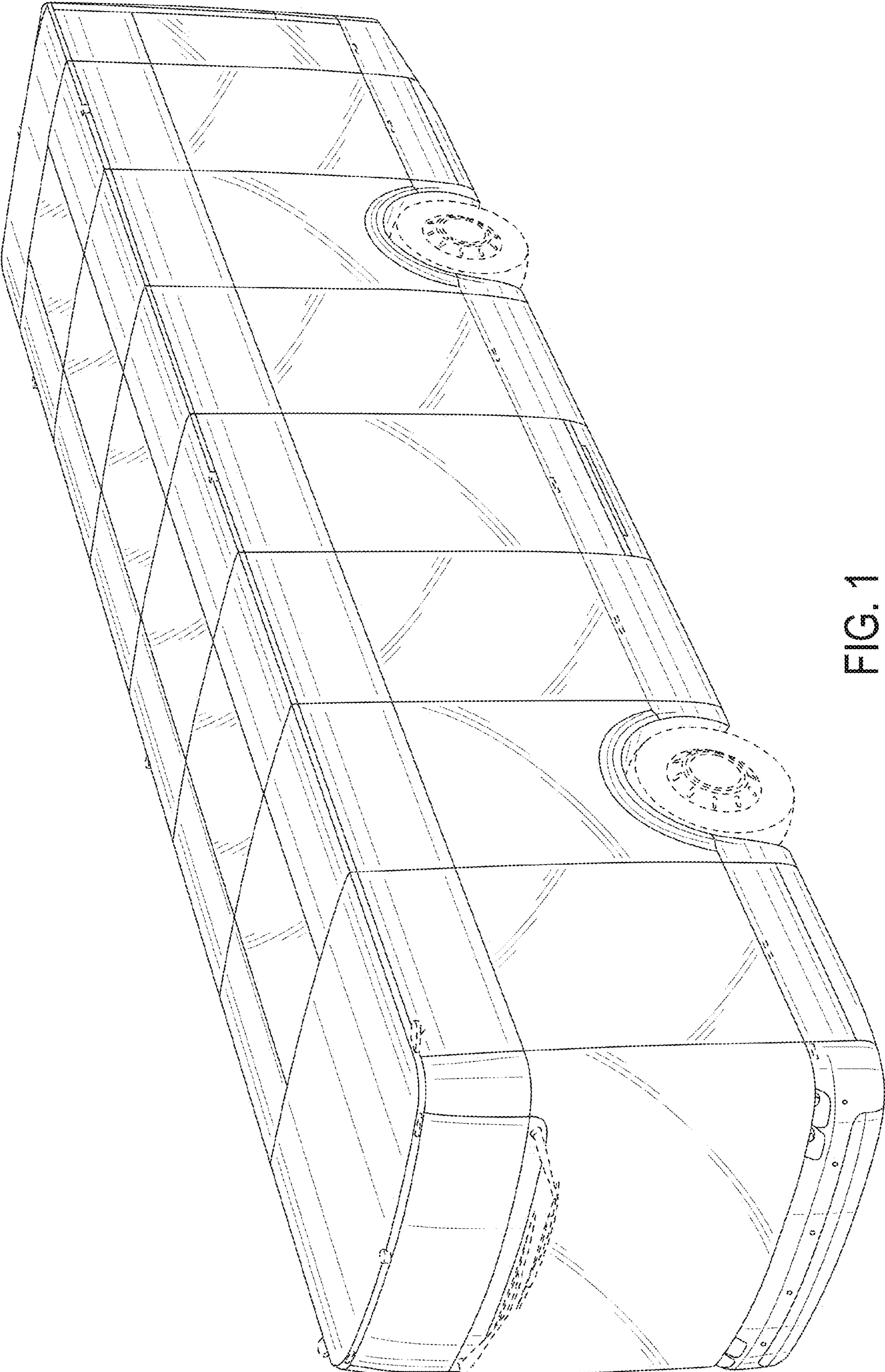


FIG. 1

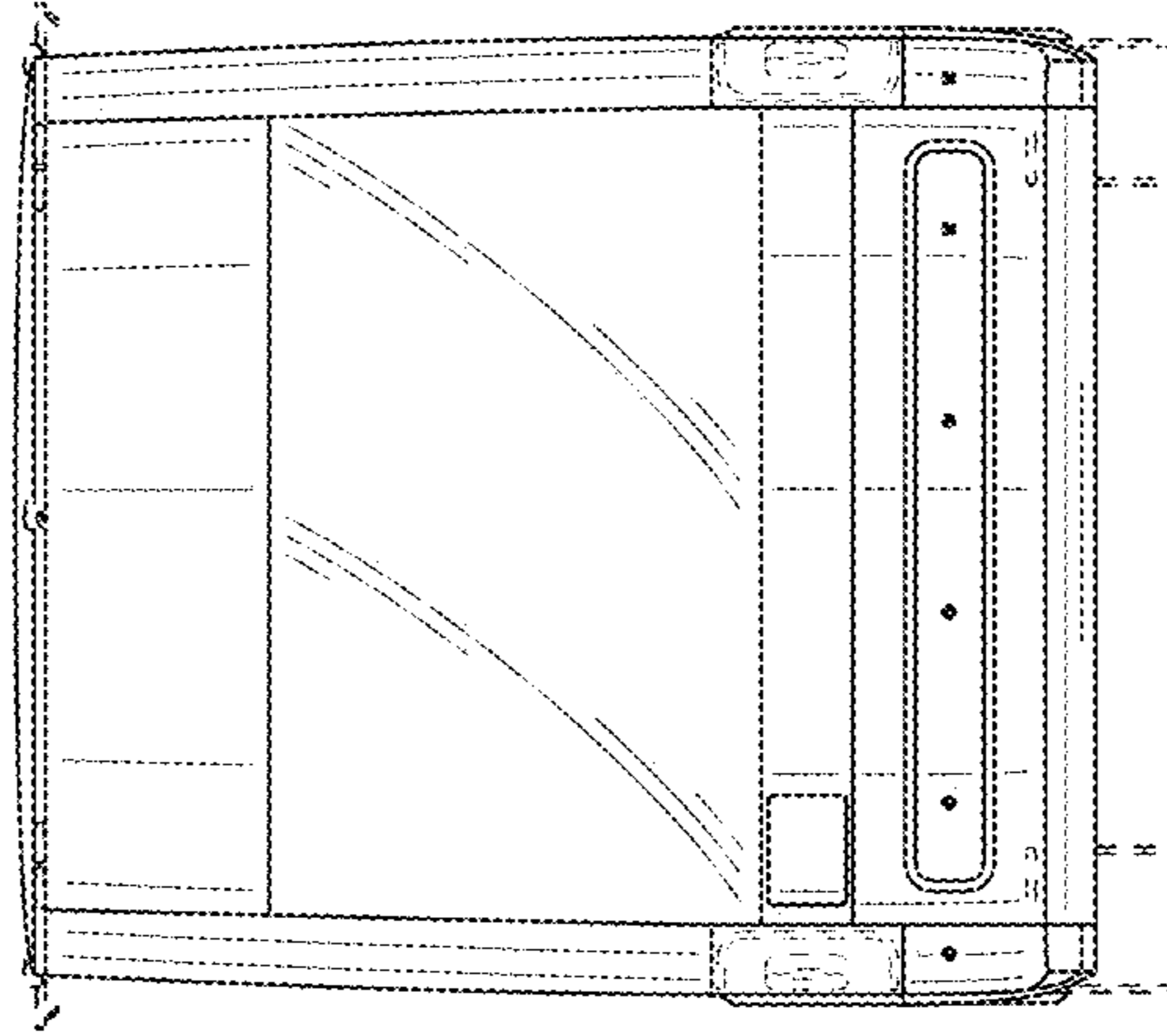


FIG. 3

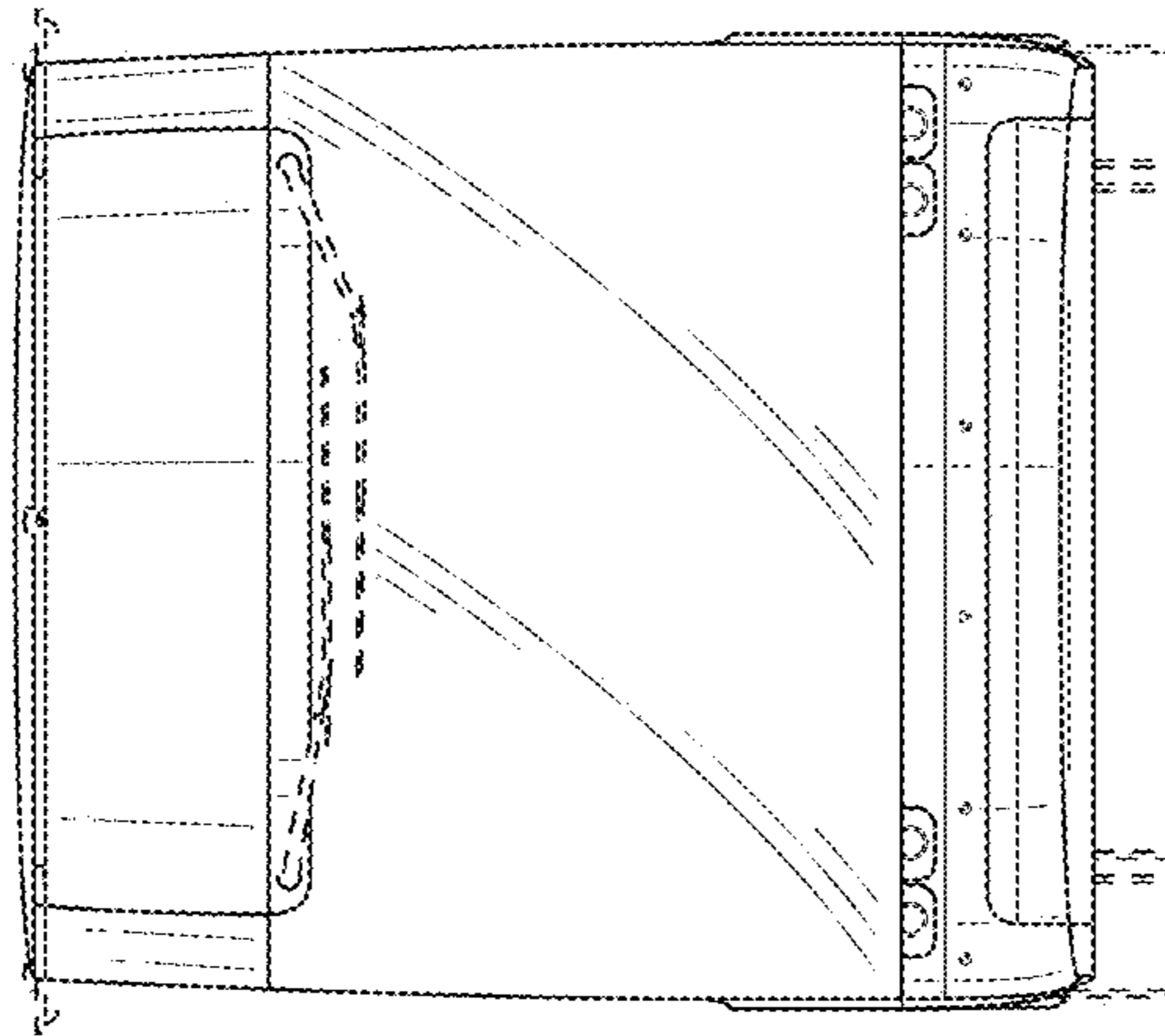


FIG. 2

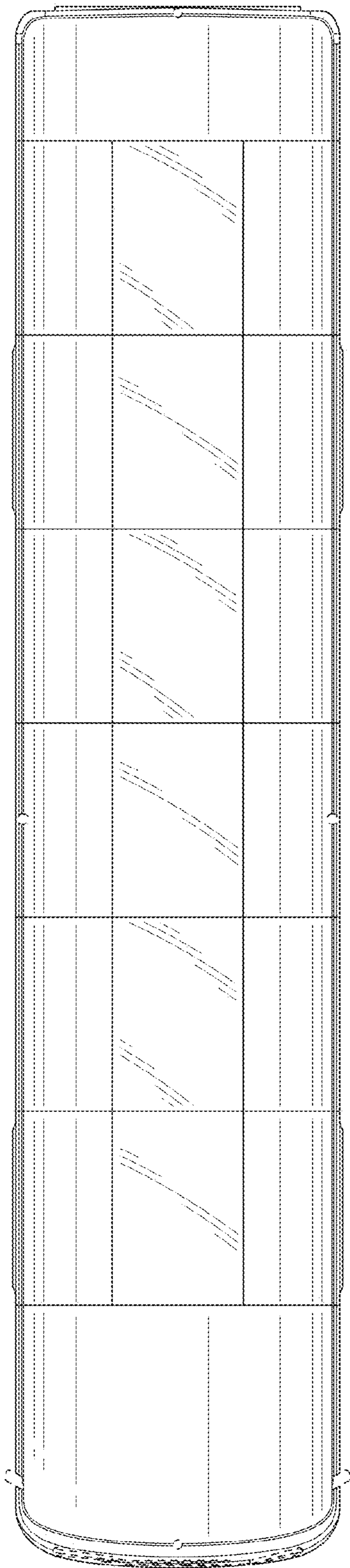


FIG. 6

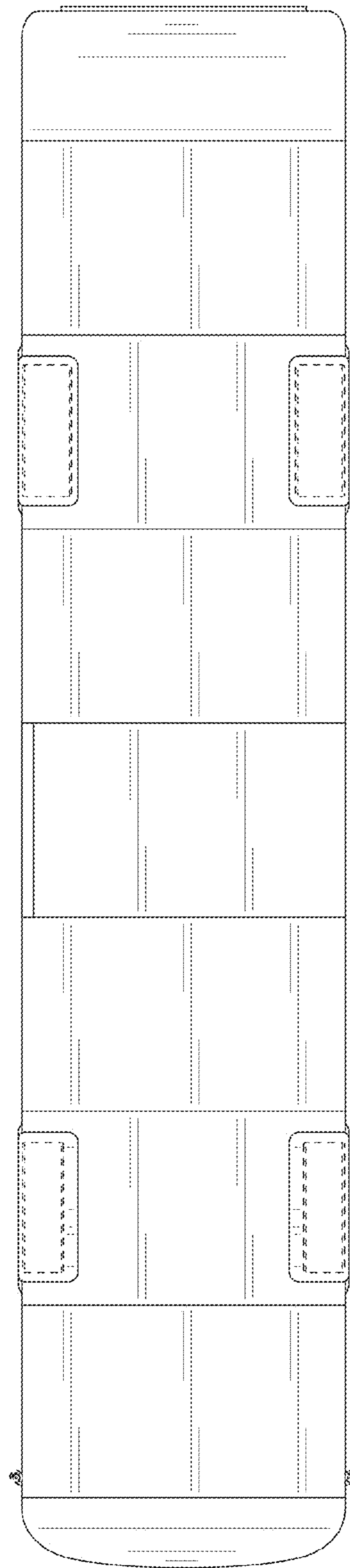


FIG. 7

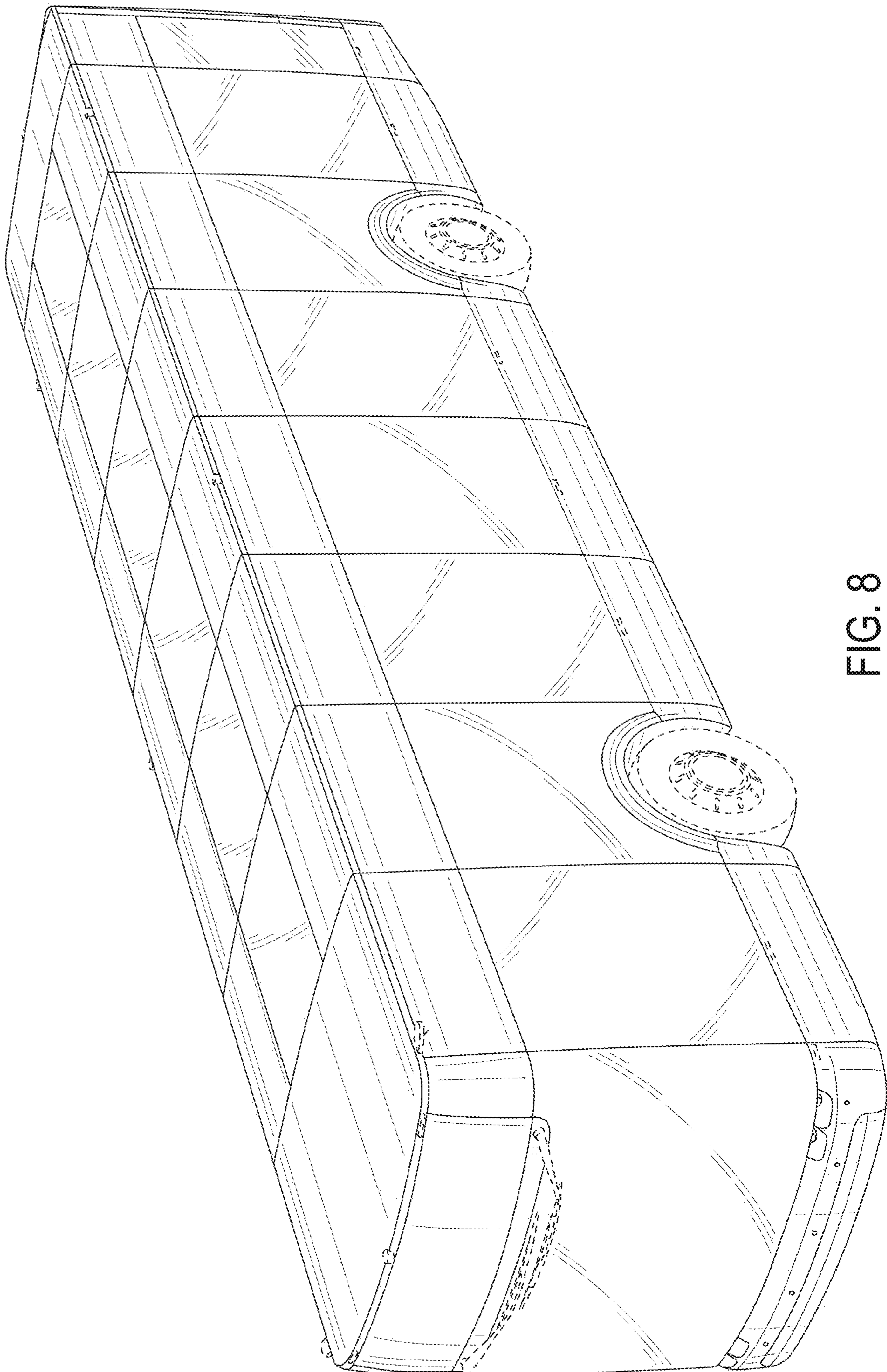


FIG. 8

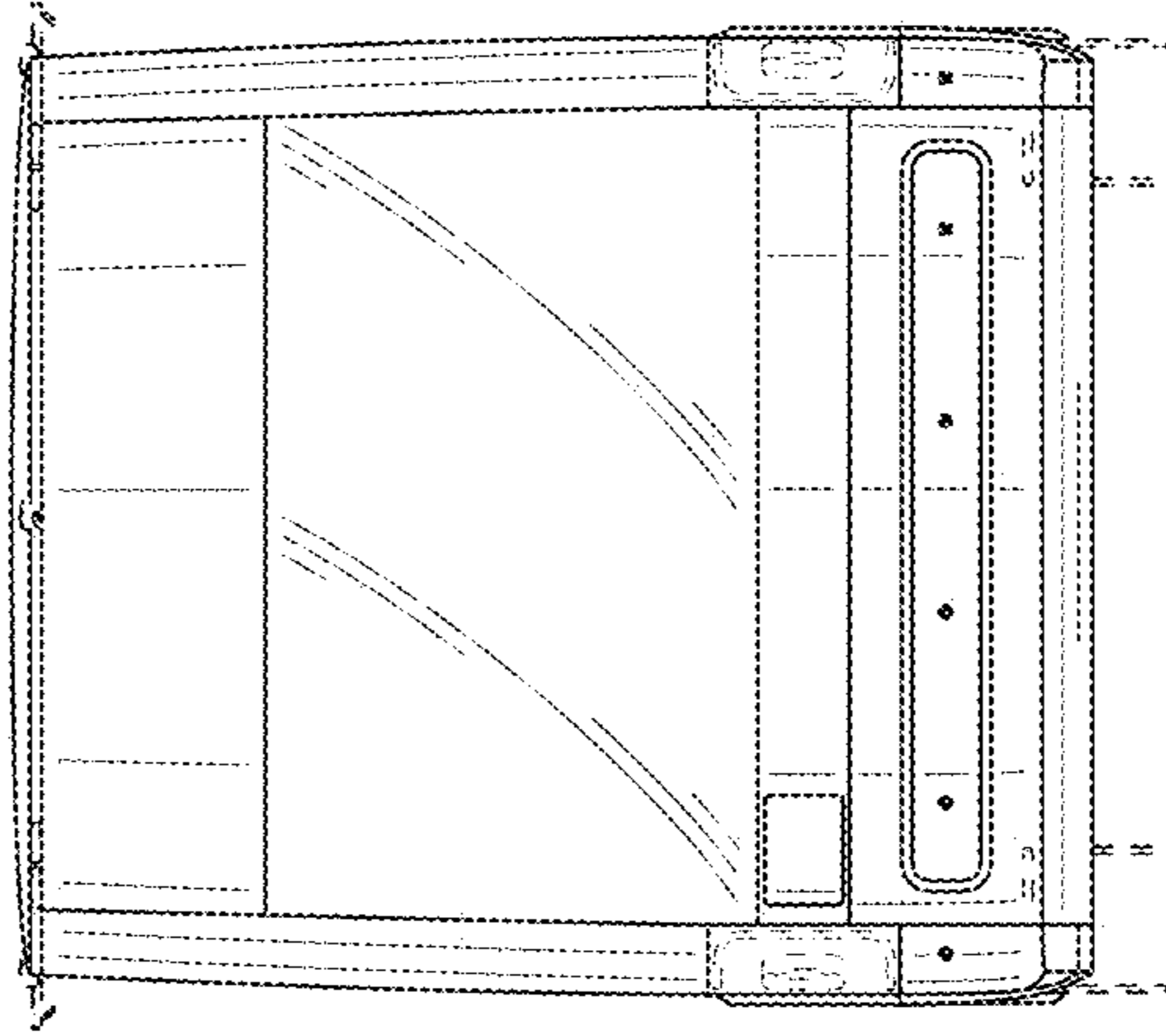


FIG. 9

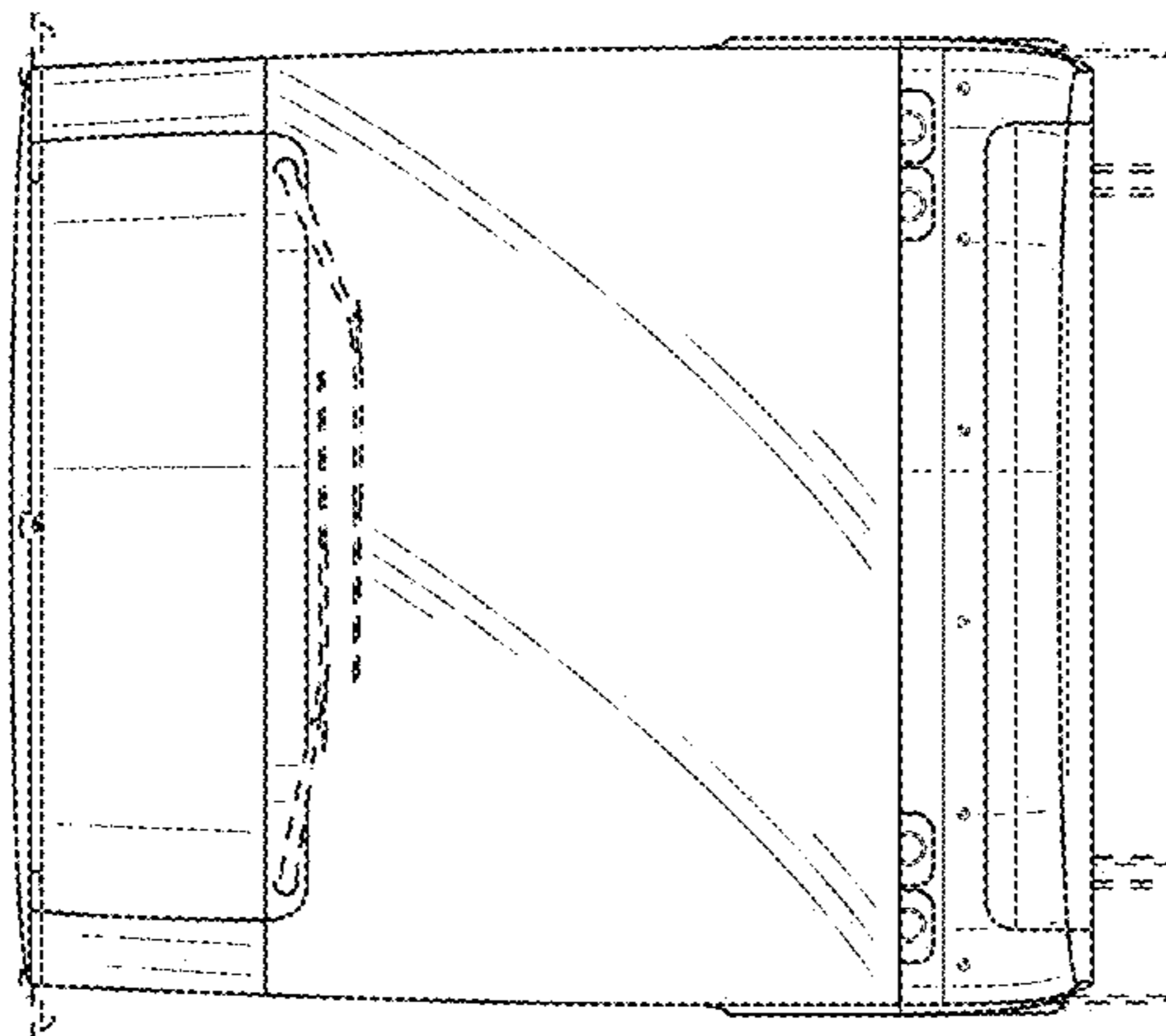


FIG. 10

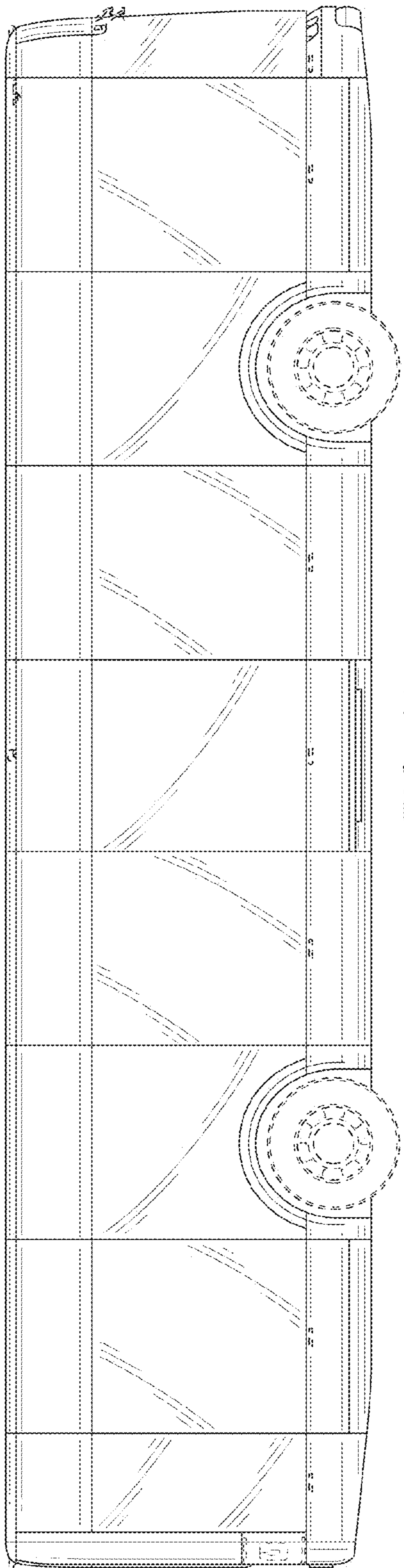


FIG. 11

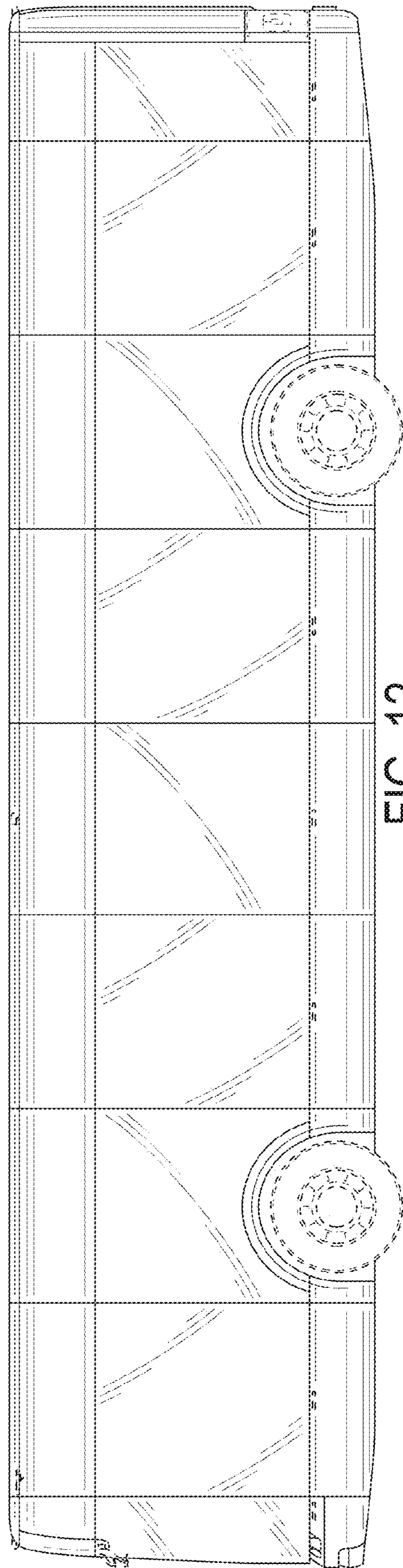


FIG. 12

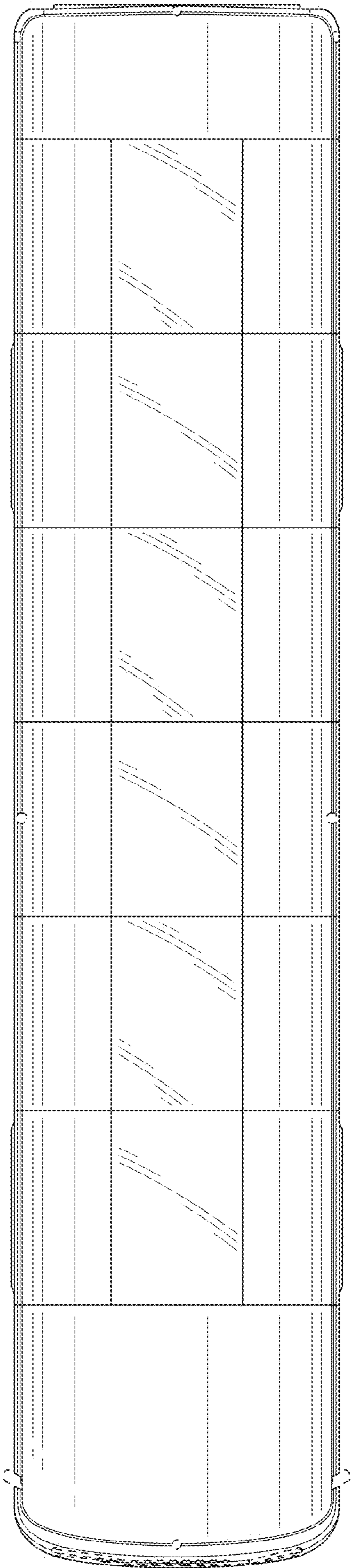


FIG. 13

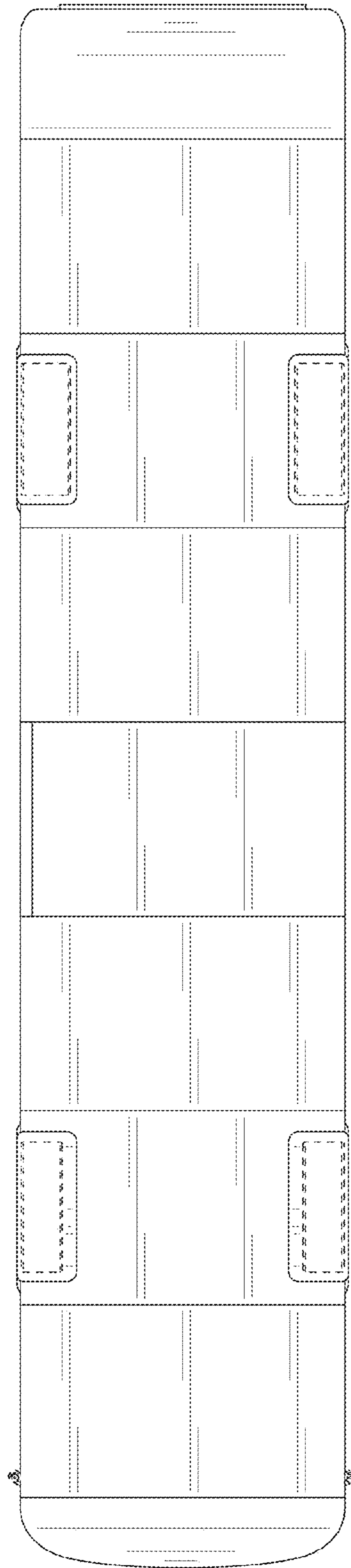


FIG. 14

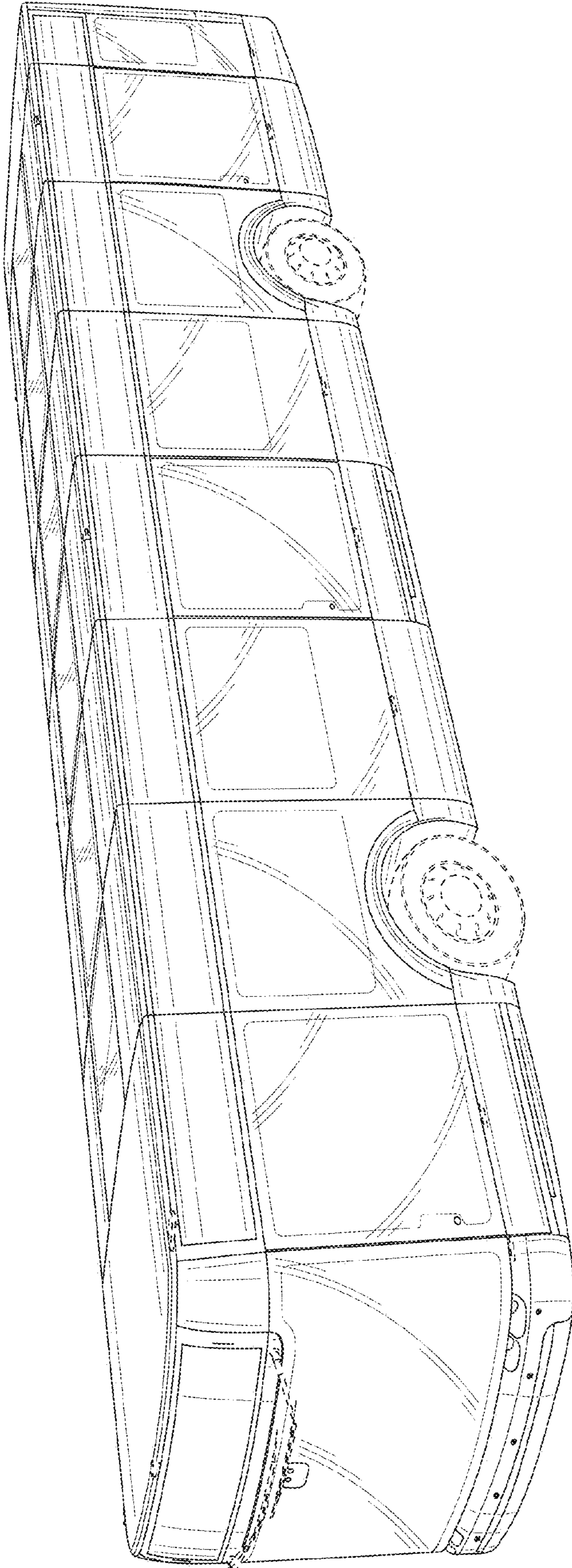


FIG. 15

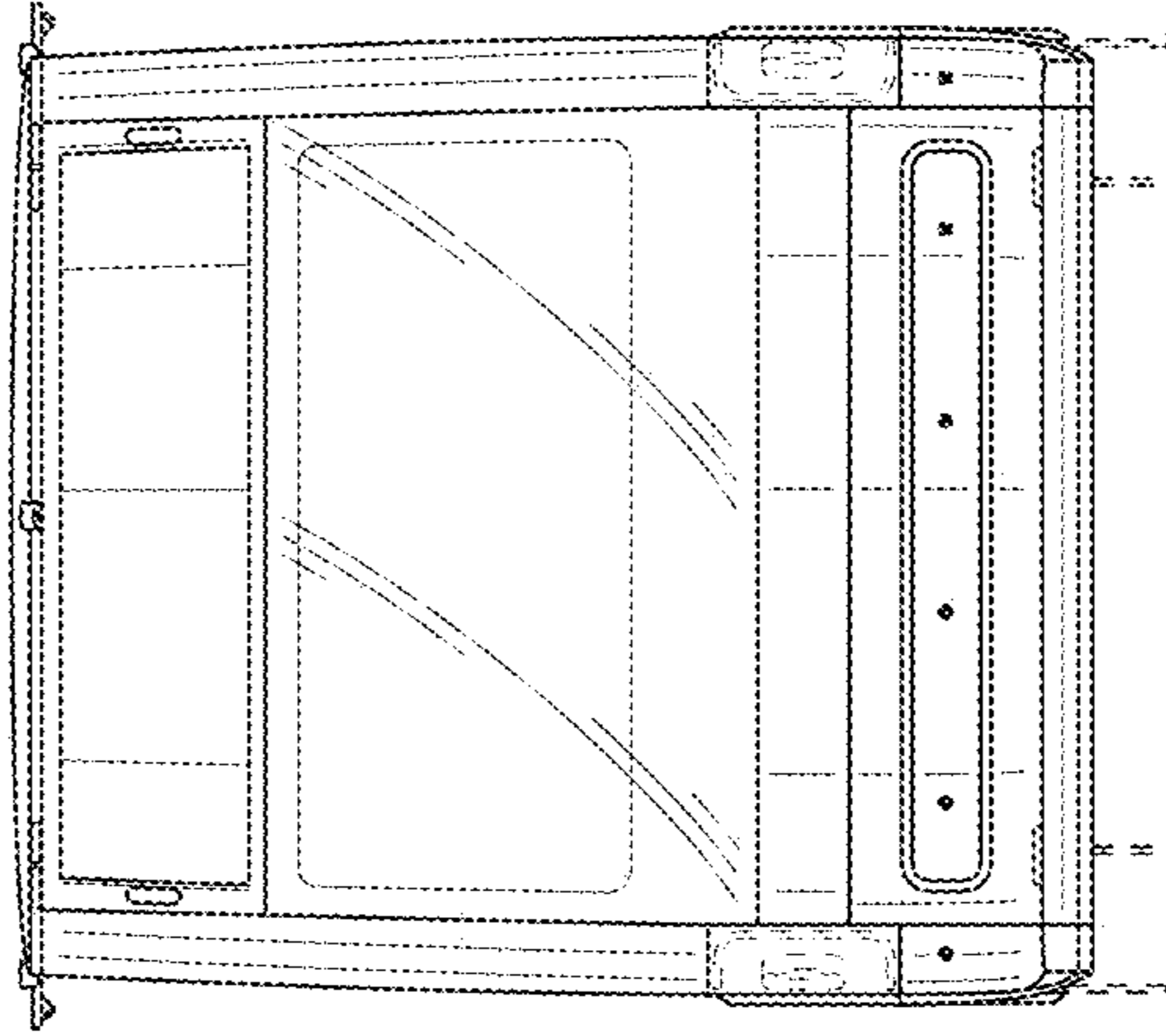


FIG. 17

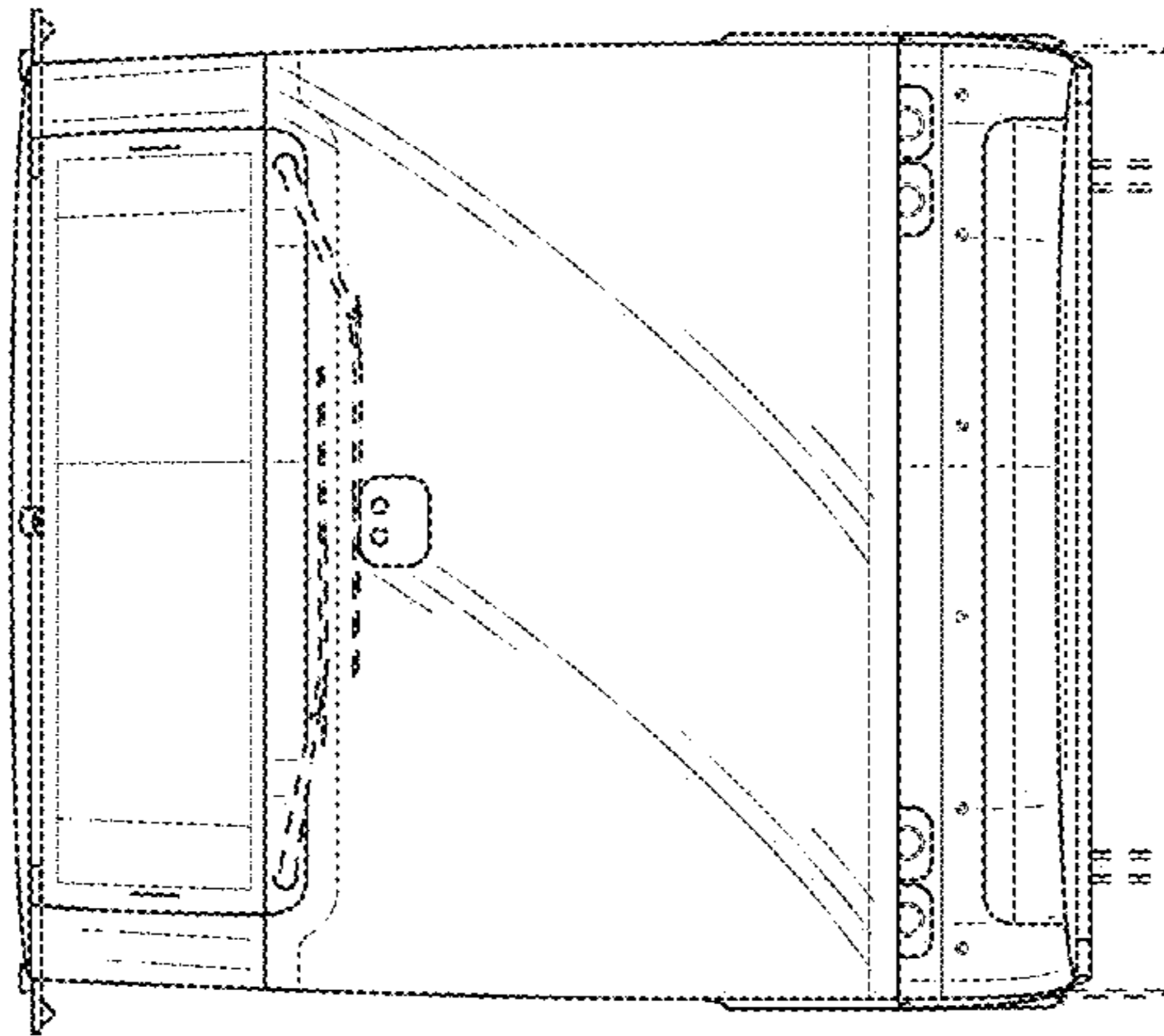


FIG. 16

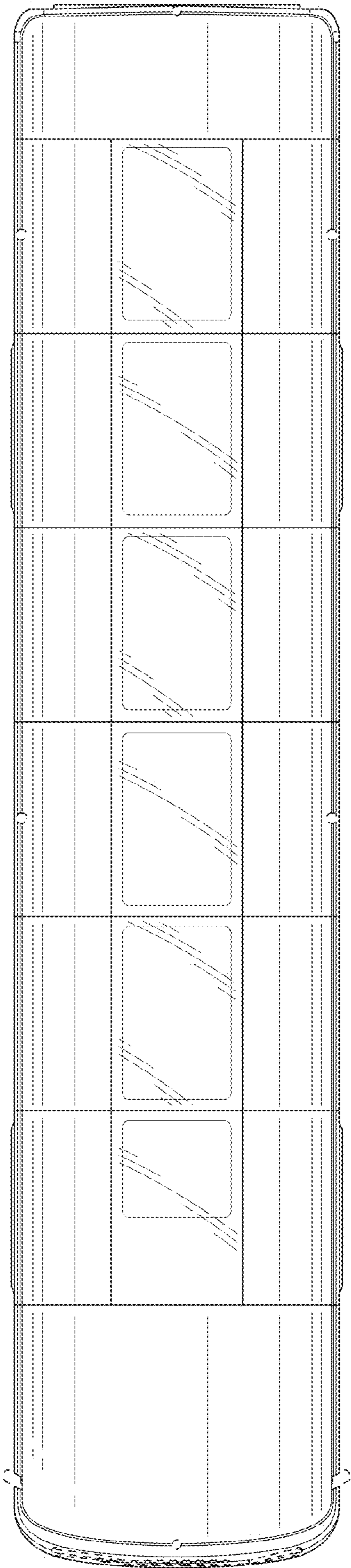


FIG. 20

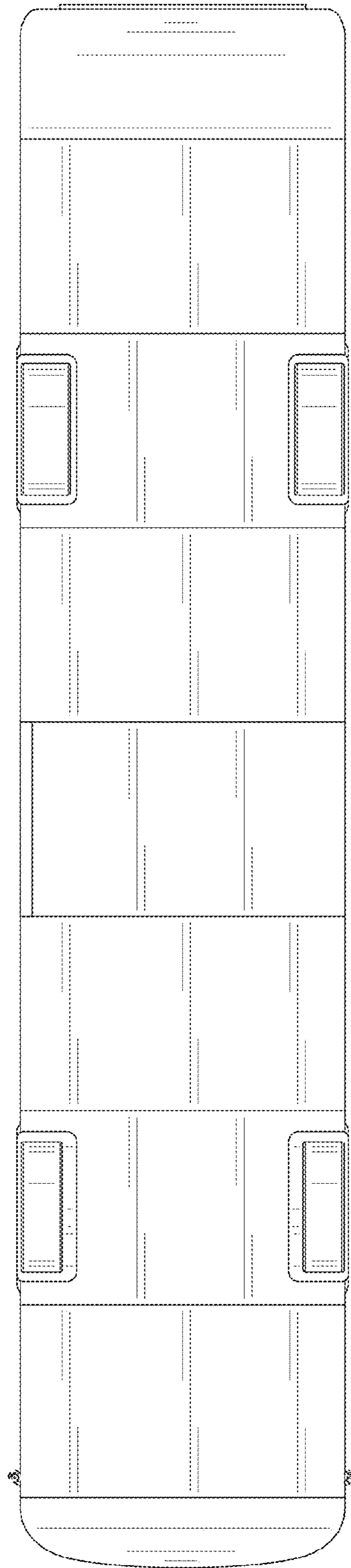


FIG. 21

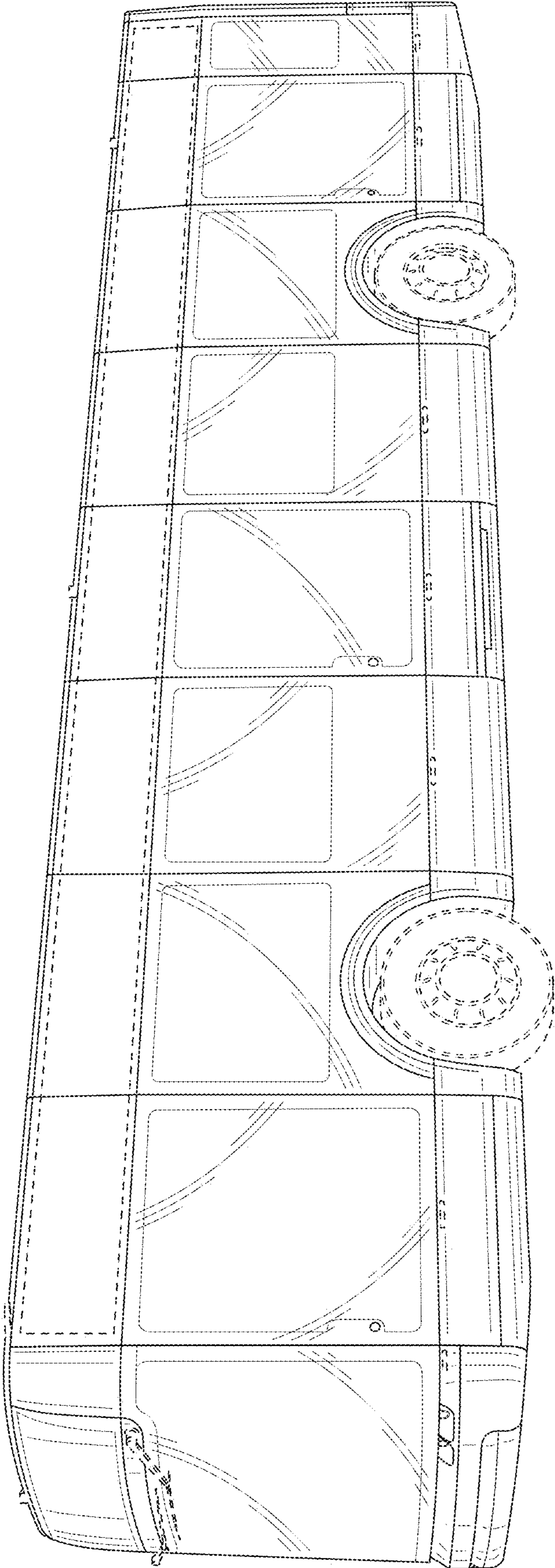


FIG. 22

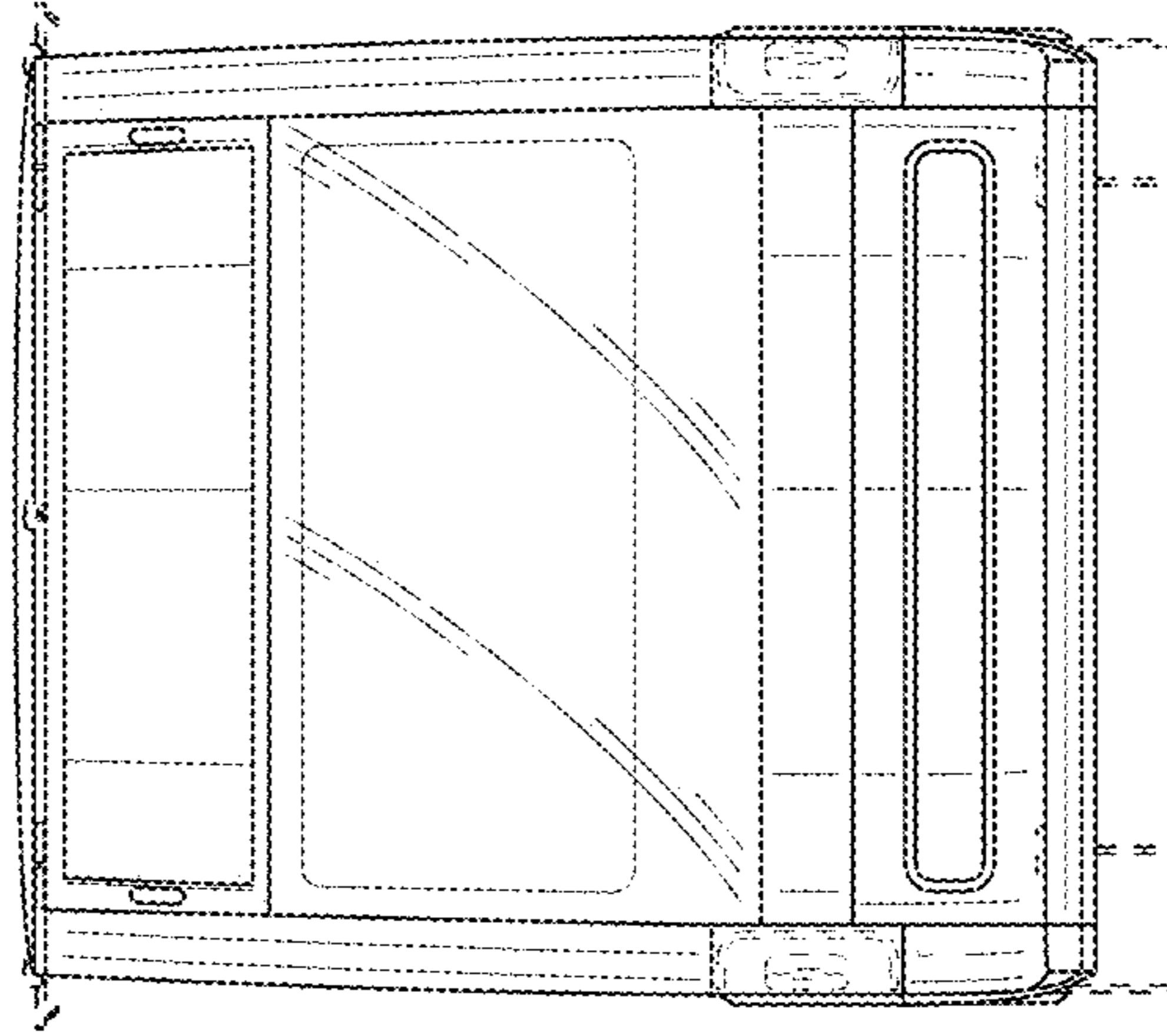


FIG. 24

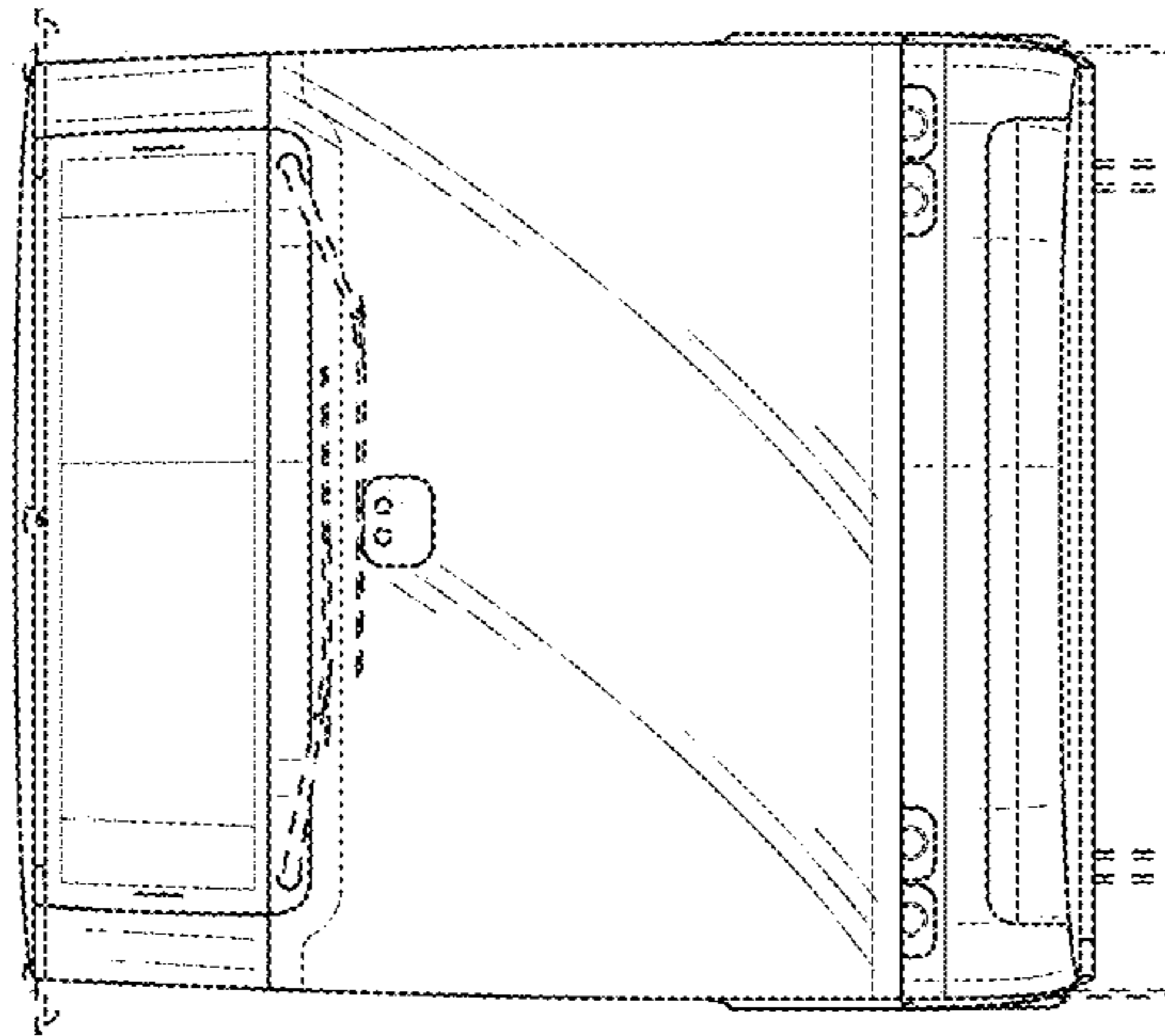


FIG. 23

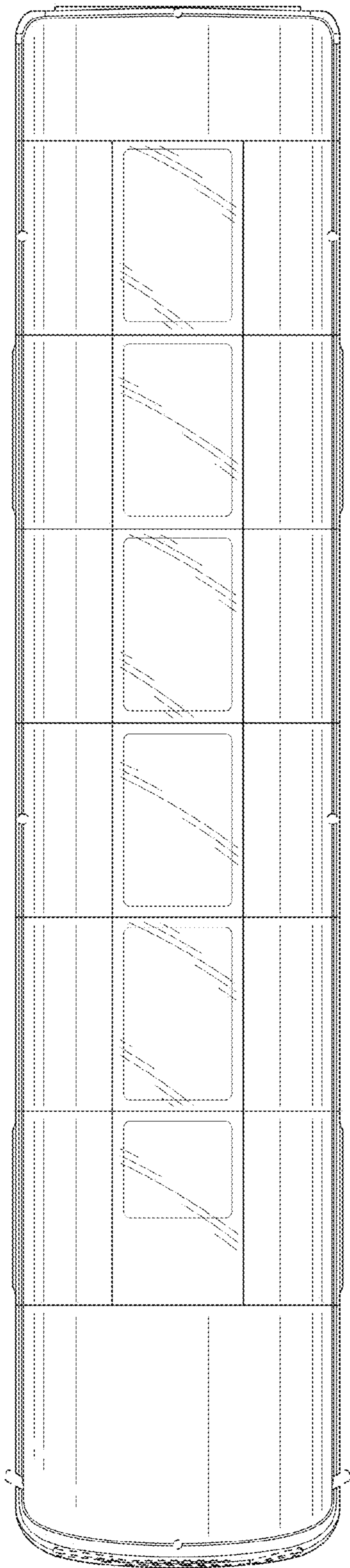


FIG. 27

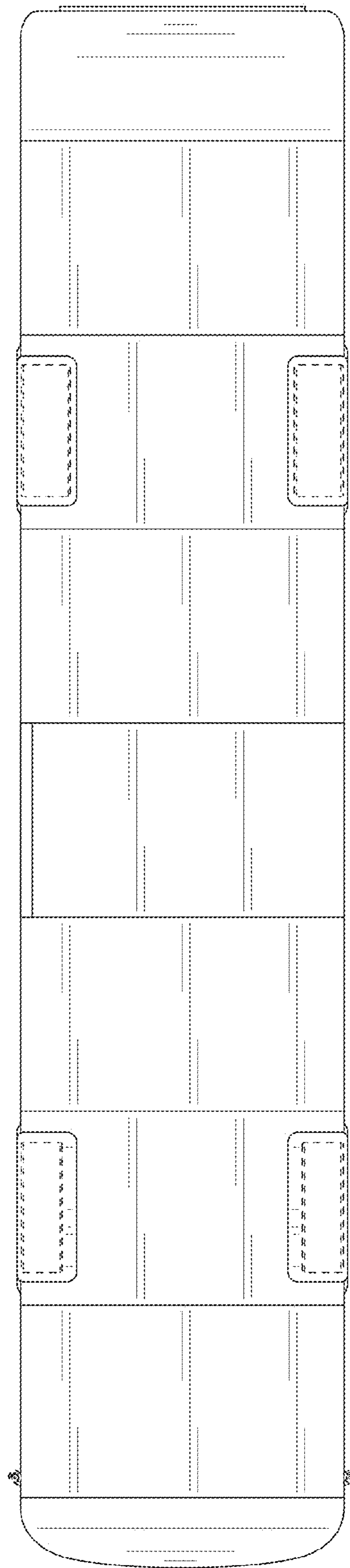


FIG. 28

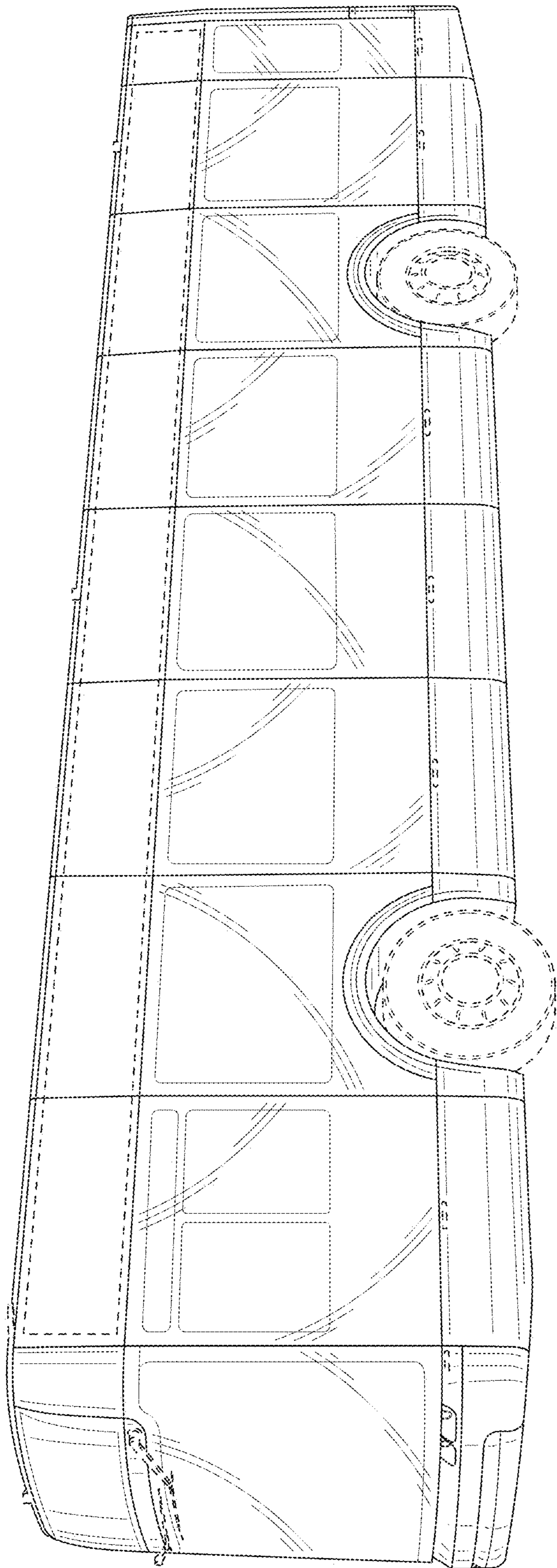


FIG. 29

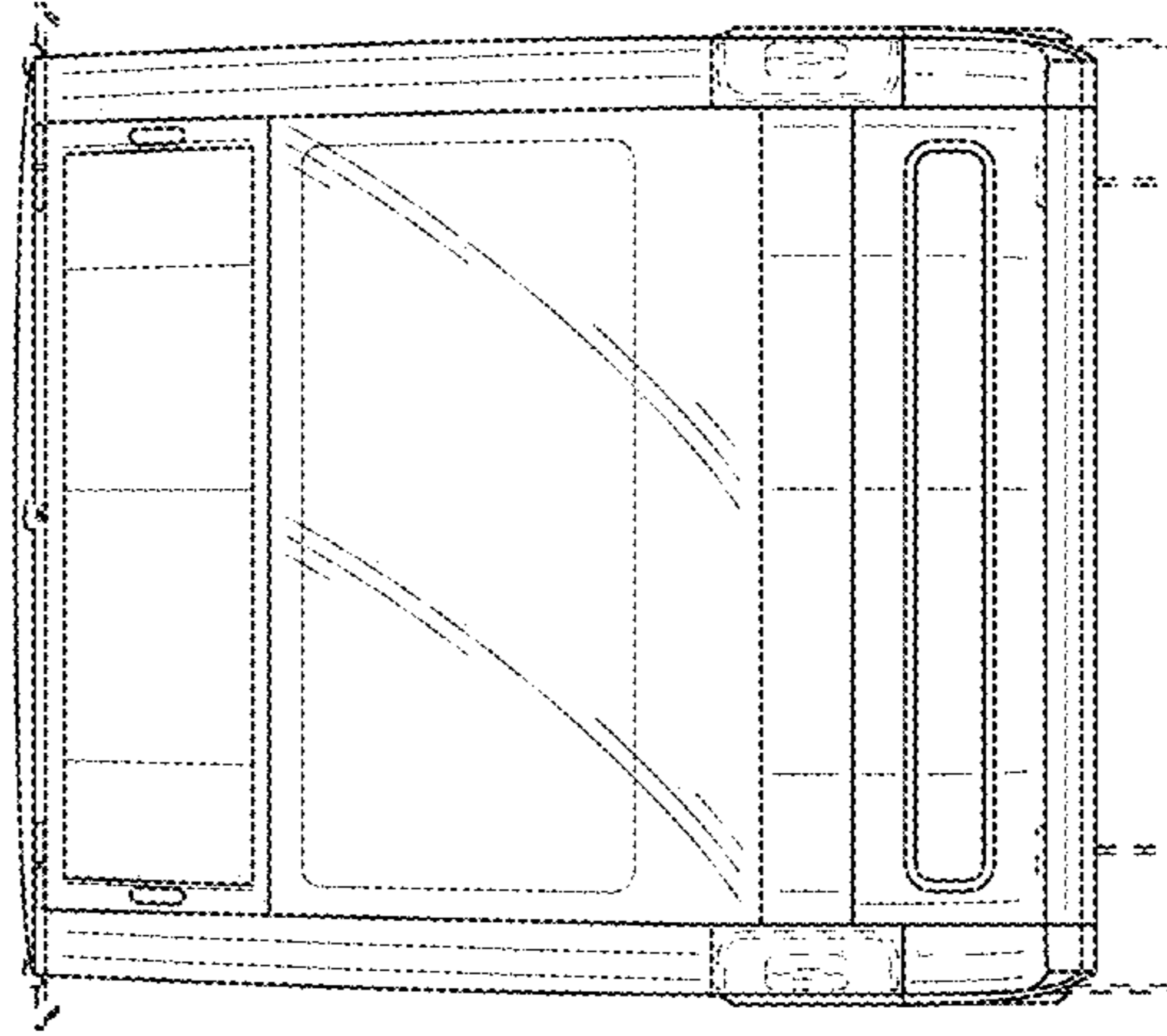


FIG. 31

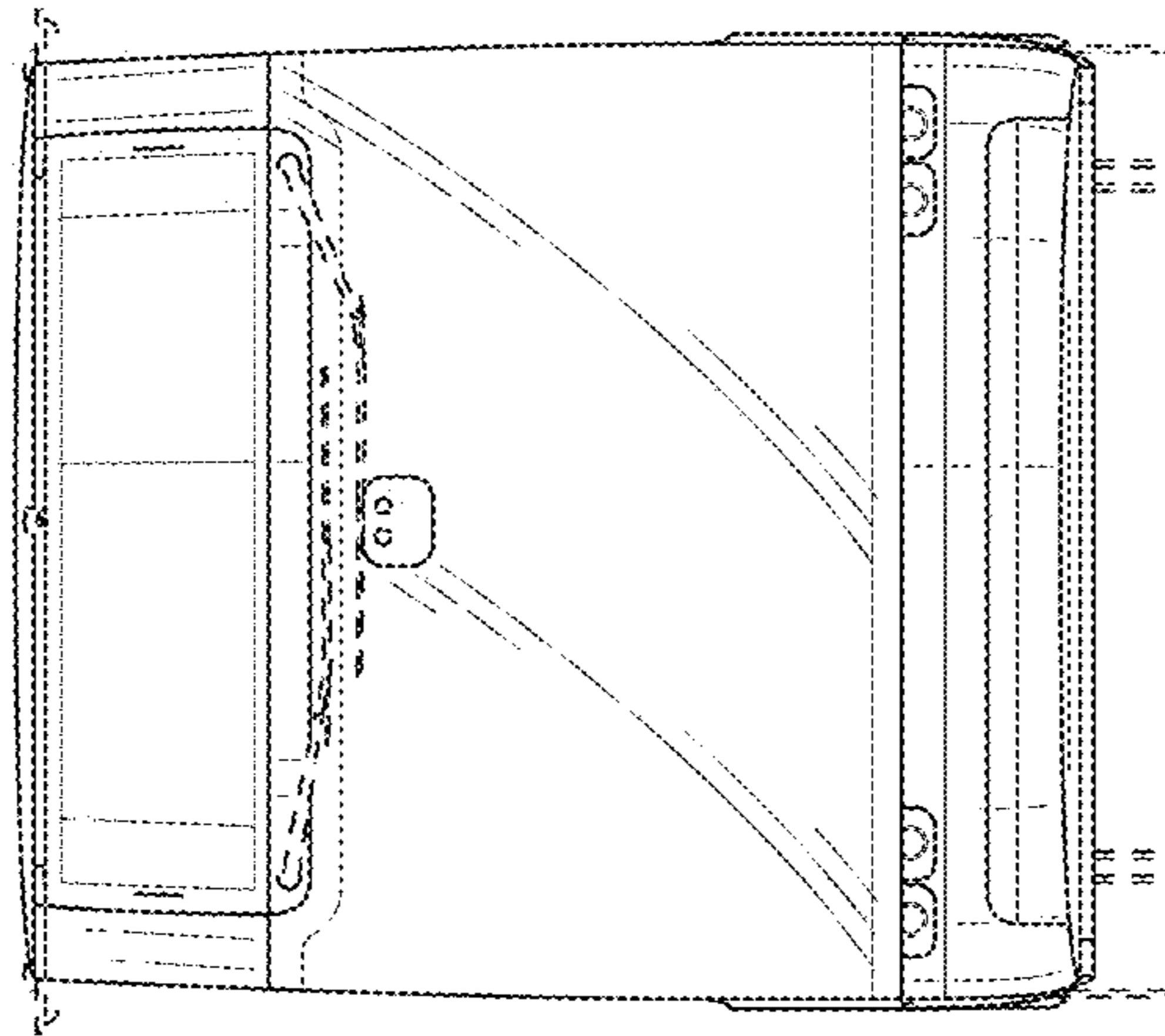


FIG. 30

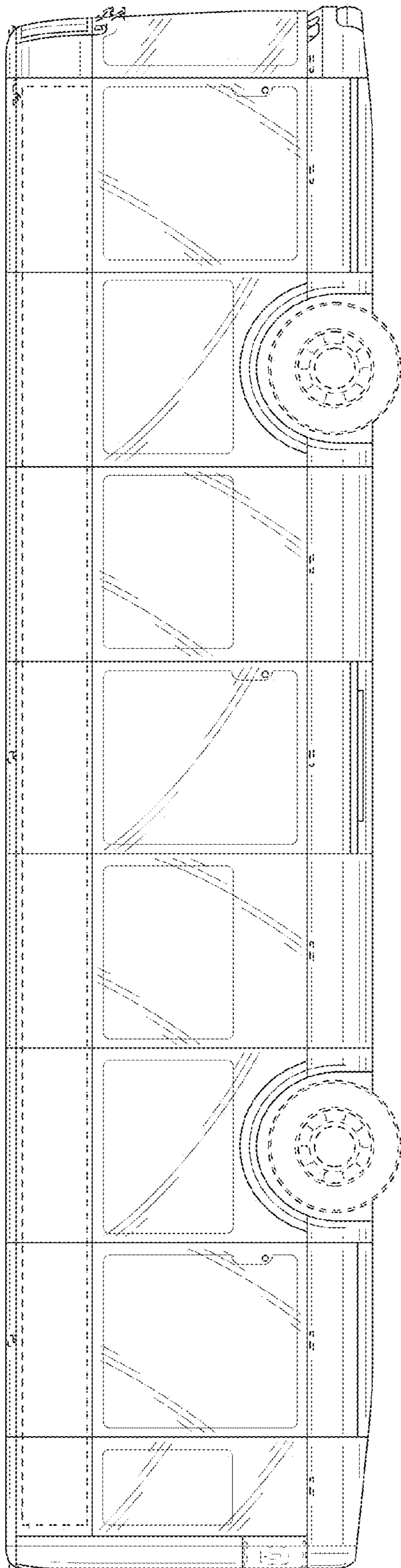


FIG. 32

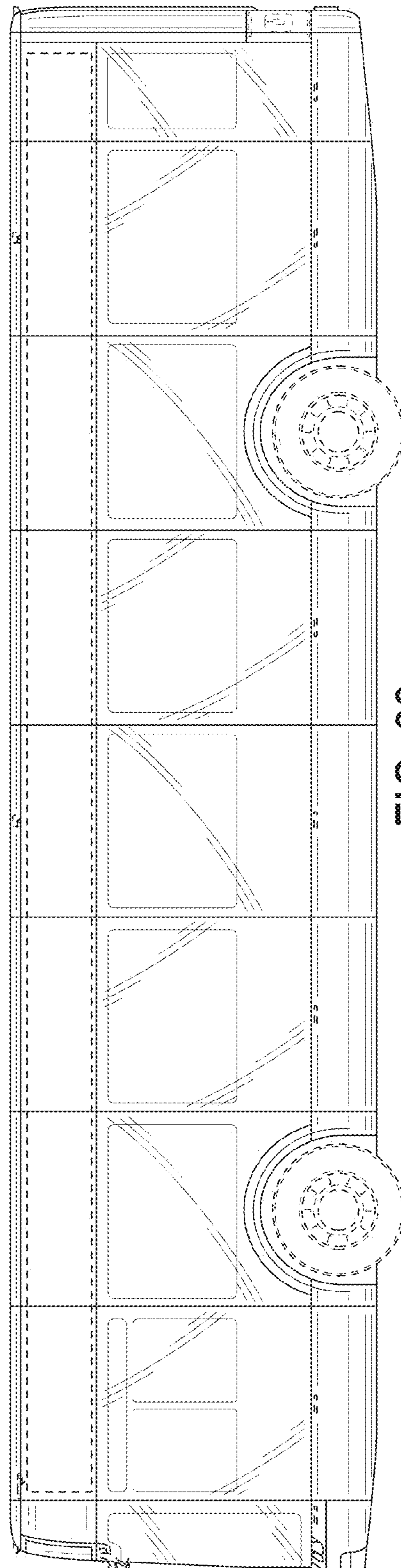


FIG. 33

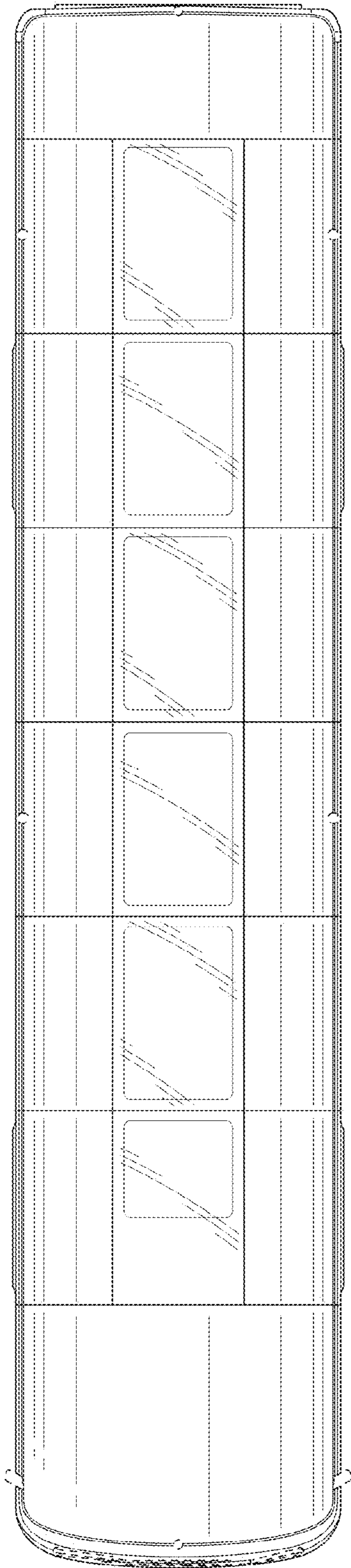


FIG. 34

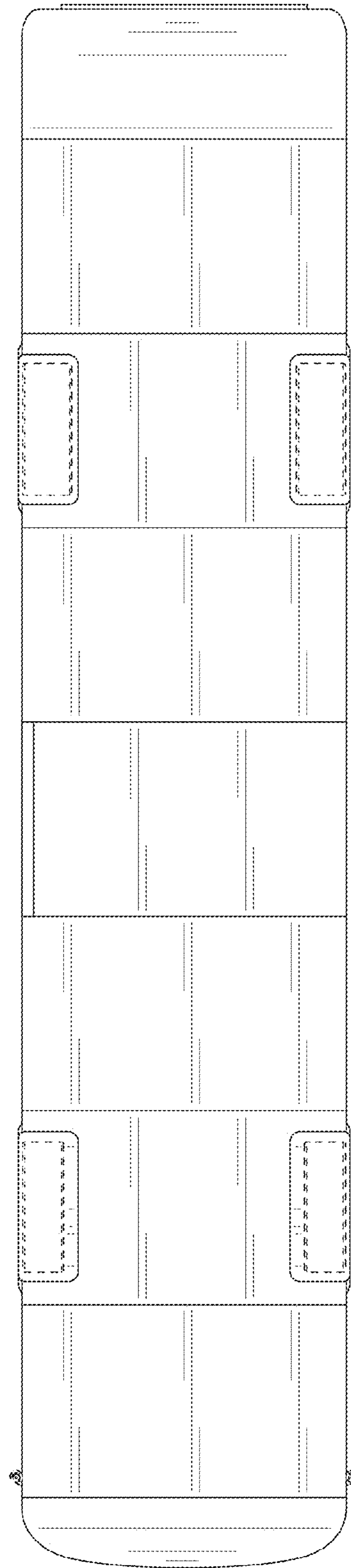


FIG. 35