



US00D977366S

(12) **United States Design Patent** (10) **Patent No.:** **US D977,366 S**
Nolte et al. (45) **Date of Patent:** **** Feb. 7, 2023**

(54) **OFF-ROAD VEHICLE BODY**
(71) Applicant: **BOMBARDIER RECREATIONAL PRODUCTS INC., Valcourt (CA)**
(72) Inventors: **Drake Nolte, London (CA); Jean-Philippe Crepeau, Bromont (CA)**
(73) Assignee: **BOMBARDIER RECREATIONAL PRODUCTS INC., Valcourt (CA)**

D828,225 S 9/2018 Zhang et al.
D879,663 S * 3/2020 Barlow, Jr. D12/87
D934,118 S * 10/2021 Schroeder D12/87
2012/0223500 A1 * 9/2012 Kinsman B60G 7/008
180/312
2015/0047917 A1 * 2/2015 Burt, II B60K 1/04
180/68.5
2017/0174027 A1 * 6/2017 Mailhot B60R 21/13
2018/0312025 A1 11/2018 Denielson et al.
2021/0237802 A1 * 8/2021 Chalifour B62D 27/00

(**) Term: **15 Years**
(21) Appl. No.: **29/693,562**
(22) Filed: **Jun. 3, 2019**
(51) **LOC (14) Cl.** **12-13**
(52) **U.S. Cl.**
USPC **D12/14**
(58) **Field of Classification Search**
USPC D12/1, 16, 14, 86, 87, 88, 90, 91, 92
CPC B62D 25/081; B62D 23/00; B62D 21/18;
B62D 21/183; B62D 24/02; B62D 25/00;
B62D 39/00; B62D 49/06; B62D 49/0621
See application file for complete search history.

OTHER PUBLICATIONS

Grant Decision issued from the ROSPATENT dated Sep. 14, 2020 in connection with the corresponding application No. 2019505405. Office Action issued from the USPTO dated Oct. 3, 2022 in connection with the US-related U.S. Appl. No. 29/850,459.

* cited by examiner

Primary Examiner — Ania Aman
(74) *Attorney, Agent, or Firm* — BCF LLP

(57) **CLAIM**

The ornamental design for an off-road vehicle body, as shown and described.

DESCRIPTION

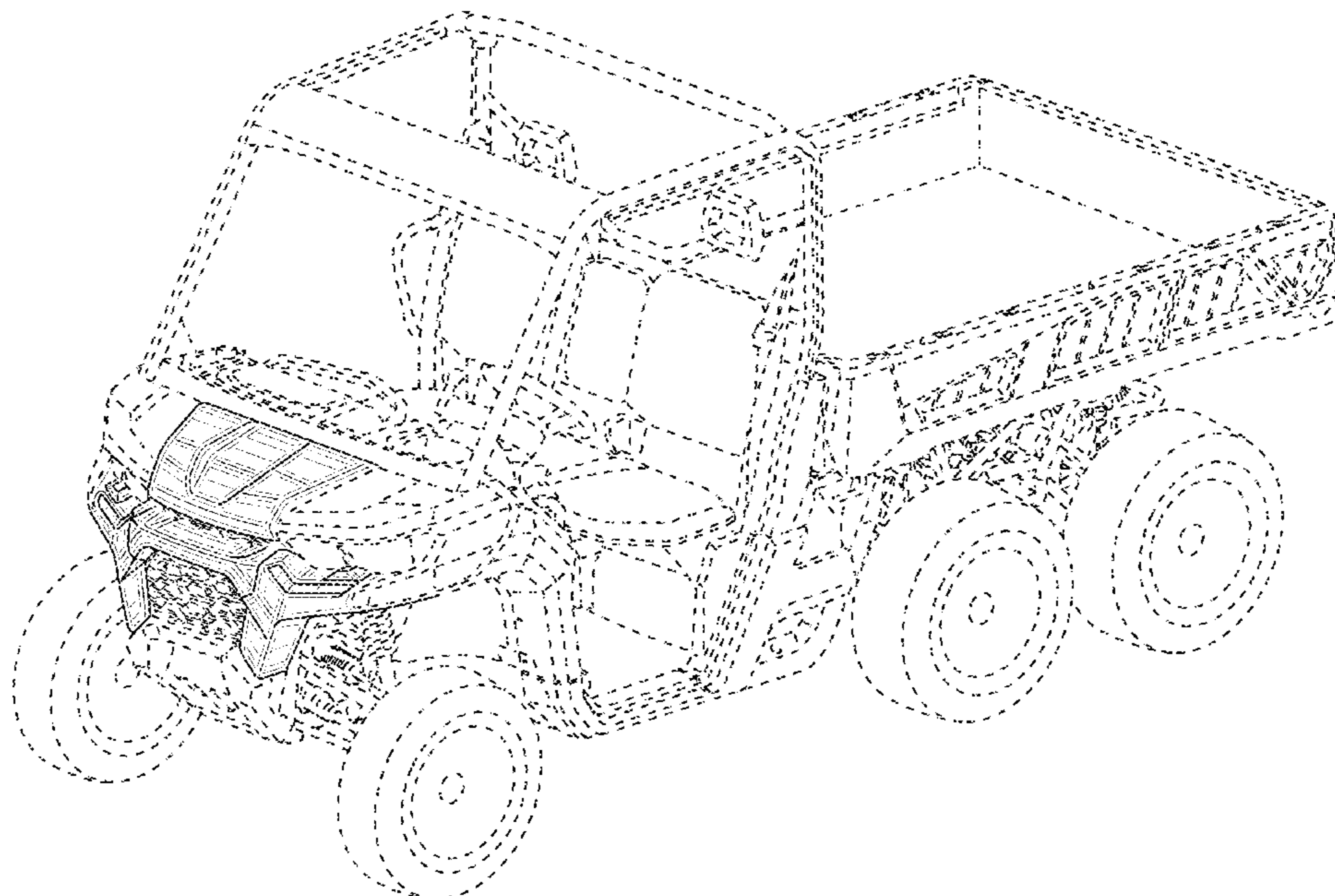
FIG. 1 is a perspective view taken from a front, left side of an off-road vehicle body according to our design; FIG. 2 is a front elevation view thereof; FIG. 3 is a left side elevation view thereof; FIG. 4 is a right side elevation view thereof; FIG. 5 is a top plan view thereof; and, FIG. 6 is a bottom plan view thereof. Throughout the Figures, where shown, the dashed lines showing additional structure are for illustrative purposes only and form no part of the claimed design.

(56) **References Cited**

U.S. PATENT DOCUMENTS

D586,694 S * 2/2009 Huang D12/14
D625,662 S * 10/2010 Li D12/87
D642,493 S * 8/2011 Goebert D12/87
D670,198 S * 11/2012 Li D12/14
D699,627 S * 2/2014 Tang D12/14
D712,309 S * 9/2014 Wu D12/14
D727,794 S * 4/2015 Tandrup D12/87
D735,077 S 7/2015 Sato et al.
D764,973 S * 8/2016 Mikhailov D12/14
D764,974 S * 8/2016 Mikhailov D12/14
D814,347 S 4/2018 Kushita et al.

1 Claim, 6 Drawing Sheets



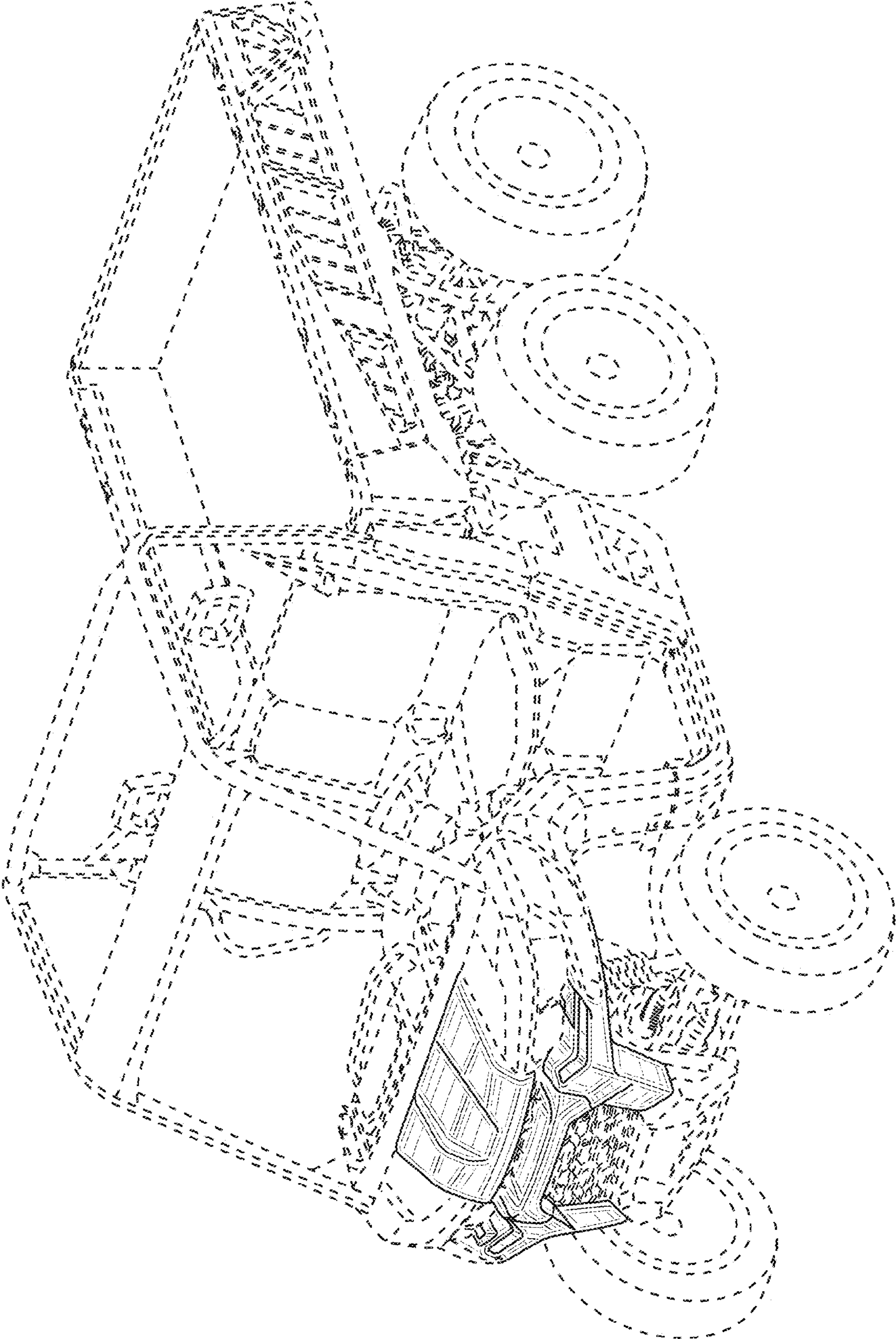


FIG. 1

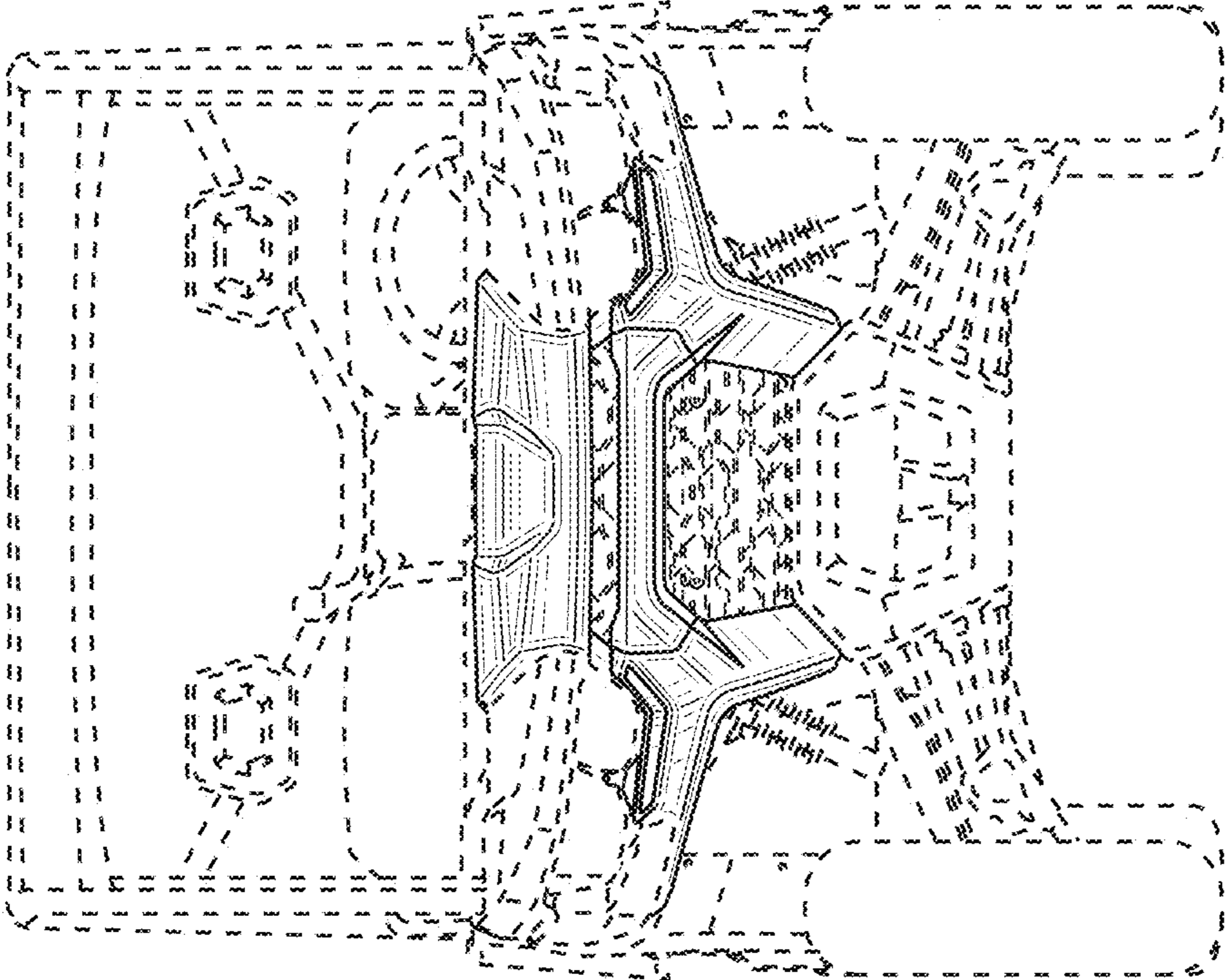


FIG. 2

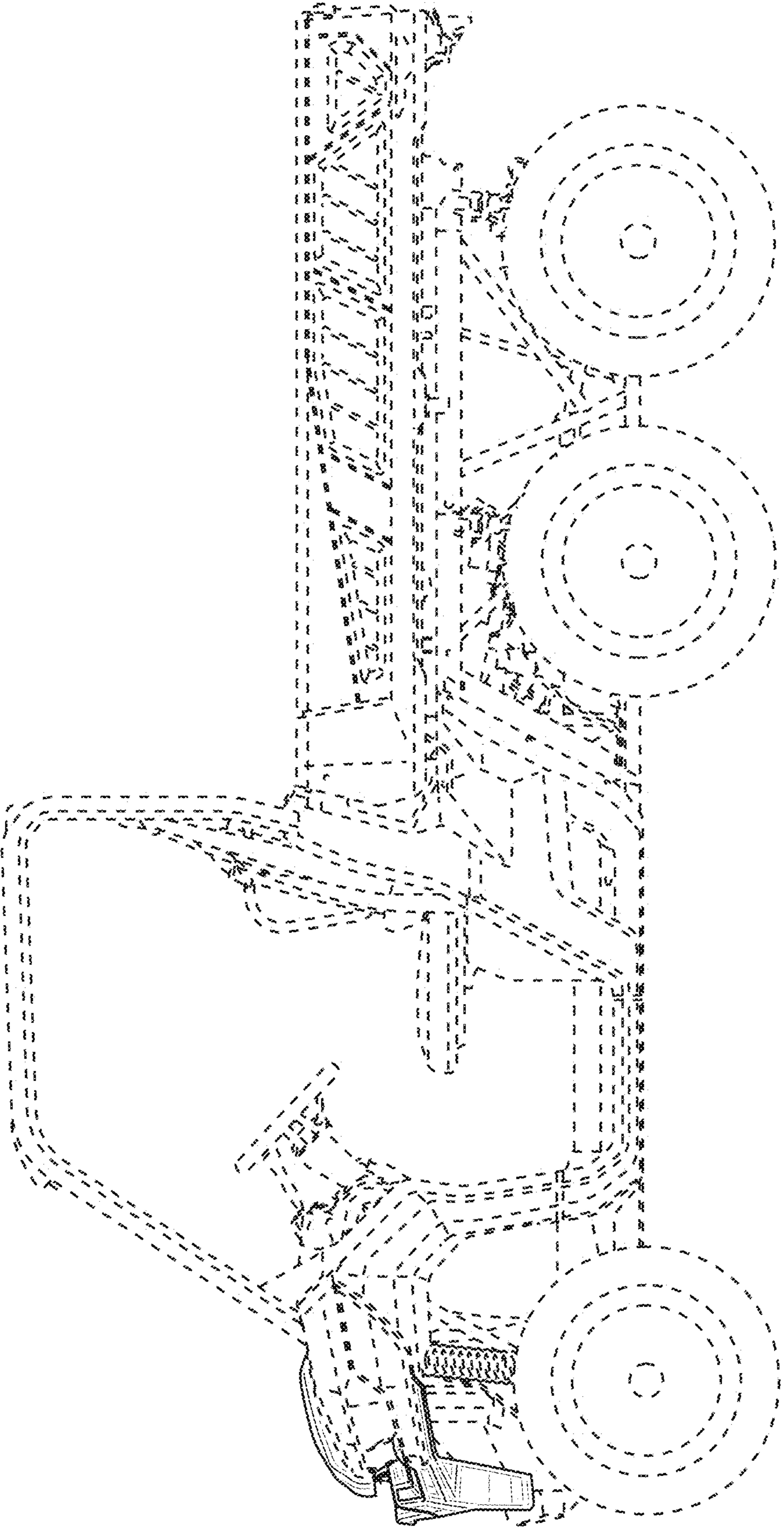


FIG. 3

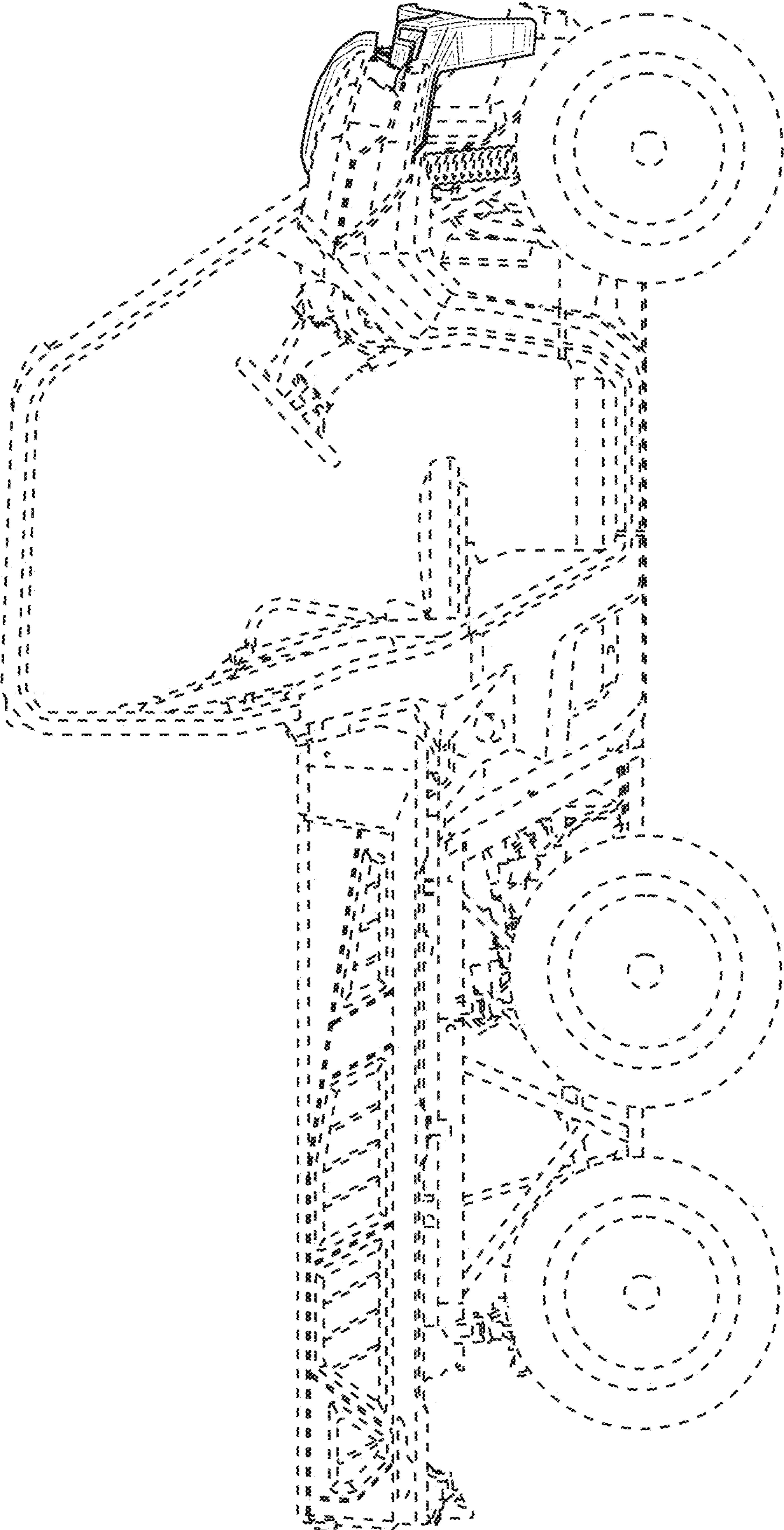


FIG. 4

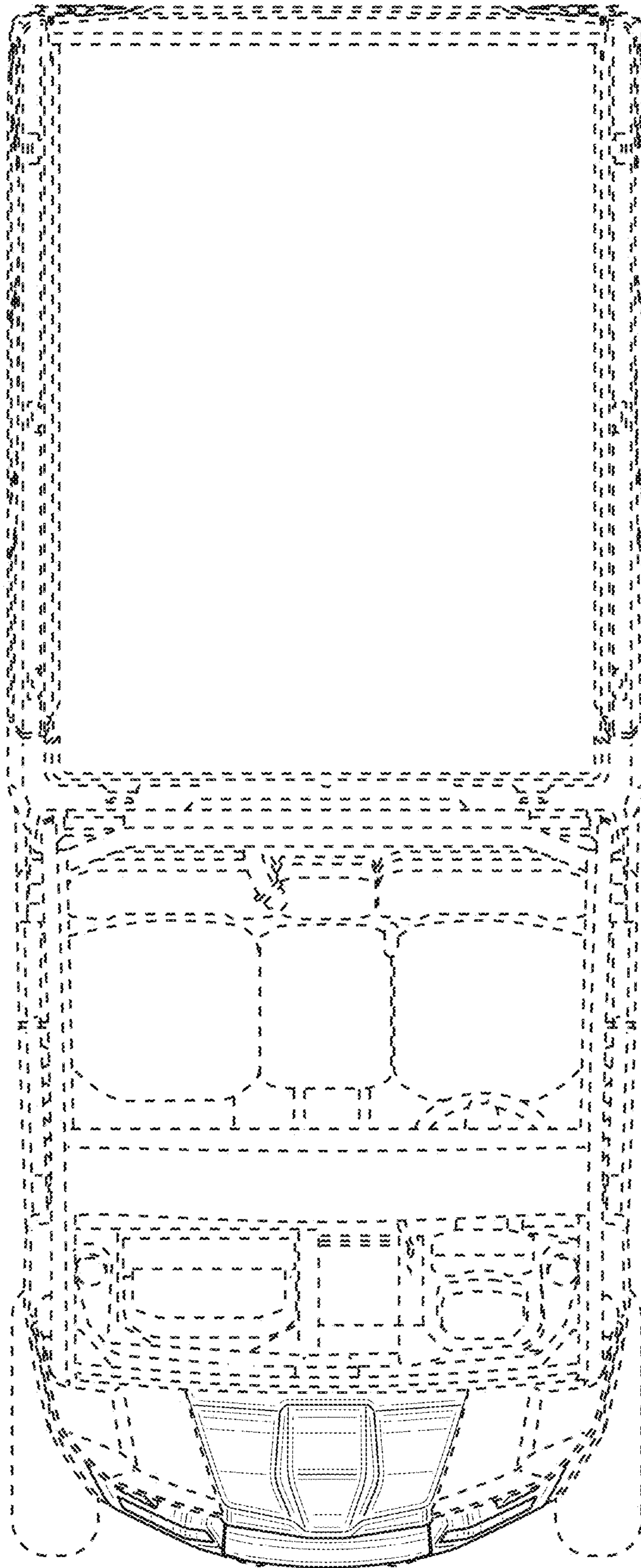


FIG. 5

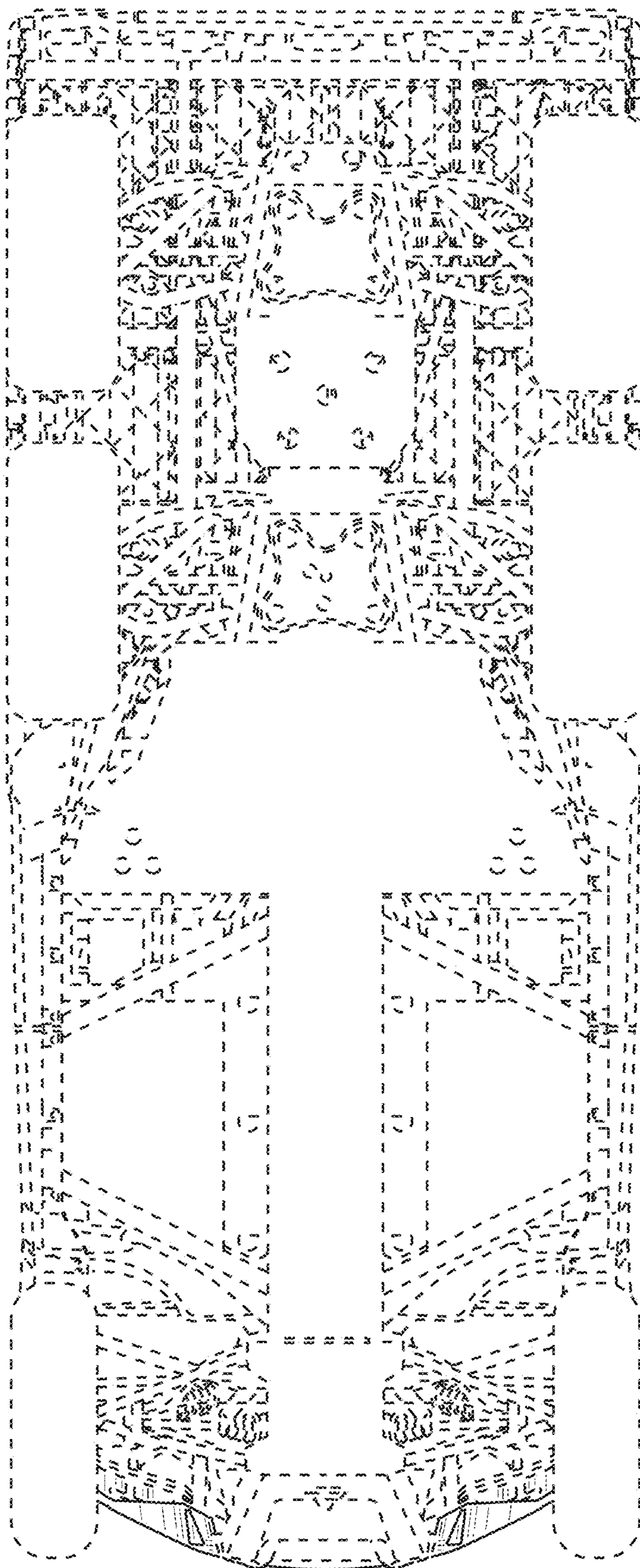


FIG. 6