



US00D977365S

(12) **United States Design Patent** (10) **Patent No.:** **US D977,365 S**
Zhao (45) **Date of Patent:** **** Feb. 7, 2023**

(54) **BUCKLE**

(71) Applicant: **Ting Zhao**, Nanjing (CN)

(72) Inventor: **Ting Zhao**, Nanjing (CN)

(**) Term: **15 Years**

(21) Appl. No.: **29/812,679**

(22) Filed: **Oct. 22, 2021**

(51) **LOC (14) Cl.** **02-07**

(52) **U.S. Cl.**

USPC **D11/217**; D11/239

(58) **Field of Classification Search**

USPC D11/200–241, 3; D14/344; D10/32

CPC A44B 11/00; A44B 11/001; A44B 11/003;

A44B 11/005; A44B 11/006; A44B

11/008; A44B 11/02; A44B 11/04; A44B

11/06; A44B 11/10; A44B 11/12; A44B

11/22; A44B 11/25; A44B 11/2503; A44B

11/2507; A44B 17/00; A44B 17/0041;

A44B 18/00; A44B 18/0003; A44B

18/0007; A44B 18/0019

See application file for complete search history.

(56) **References Cited**

U.S. PATENT DOCUMENTS

D196,908 S * 11/1963 Di D11/212
D296,310 S * 6/1988 Crowle D11/216
D329,210 S * 9/1992 Cullmann D11/216
D349,871 S * 8/1994 Murai D11/216
5,410,780 A * 5/1995 Silagy A44B 11/02
24/163 K

D481,330 S * 10/2003 Fildan D11/218
D508,218 S * 8/2005 Yoshiguchi D11/218
D622,178 S * 8/2010 Kelleghan D11/201
D638,332 S 5/2011 Fair
D654,397 S * 2/2012 Wong D11/218
D734,209 S 7/2015 Kadoishi
D739,785 S 9/2015 Fildan et al.
D815,981 S 4/2018 Meador, III et al.

D845,168 S * 4/2019 Paik D11/216
D915,934 S * 4/2021 Paik D11/216
D962,118 S * 8/2022 Paik D11/216
2002/0062541 A1 * 5/2002 Fildan A44B 11/005
24/578.1
2019/0059331 A1 * 2/2019 Lai A01K 27/001

FOREIGN PATENT DOCUMENTS

CN 303295412 * 7/2015
CN 305248663 * 7/2019

OTHER PUBLICATIONS

AliExpress—Pet Cat Accessories Safety Buckle, available Nov. 3, 2022, online, site visited Nov. 3, 2022. Available online, URL: <https://www.aliexpress.com/i/2251832648729825.html?gatewayAdapt=4itemAdapt> (Year: 2022).*

(Continued)

Primary Examiner — W. A. Teddy Falloway

Assistant Examiner — Sarah J Ault

(74) *Attorney, Agent, or Firm* — Zhihua Han; Wen IP LLC

(57) **CLAIM**

The ornamental design for a buckle, as shown and described.

DESCRIPTION

FIG. 1 is a perspective view of a buckle, showing my new design;

FIG. 2 is a front elevation view thereof;

FIG. 3 is a rear elevation view thereof;

FIG. 4 is a left side elevation view thereof;

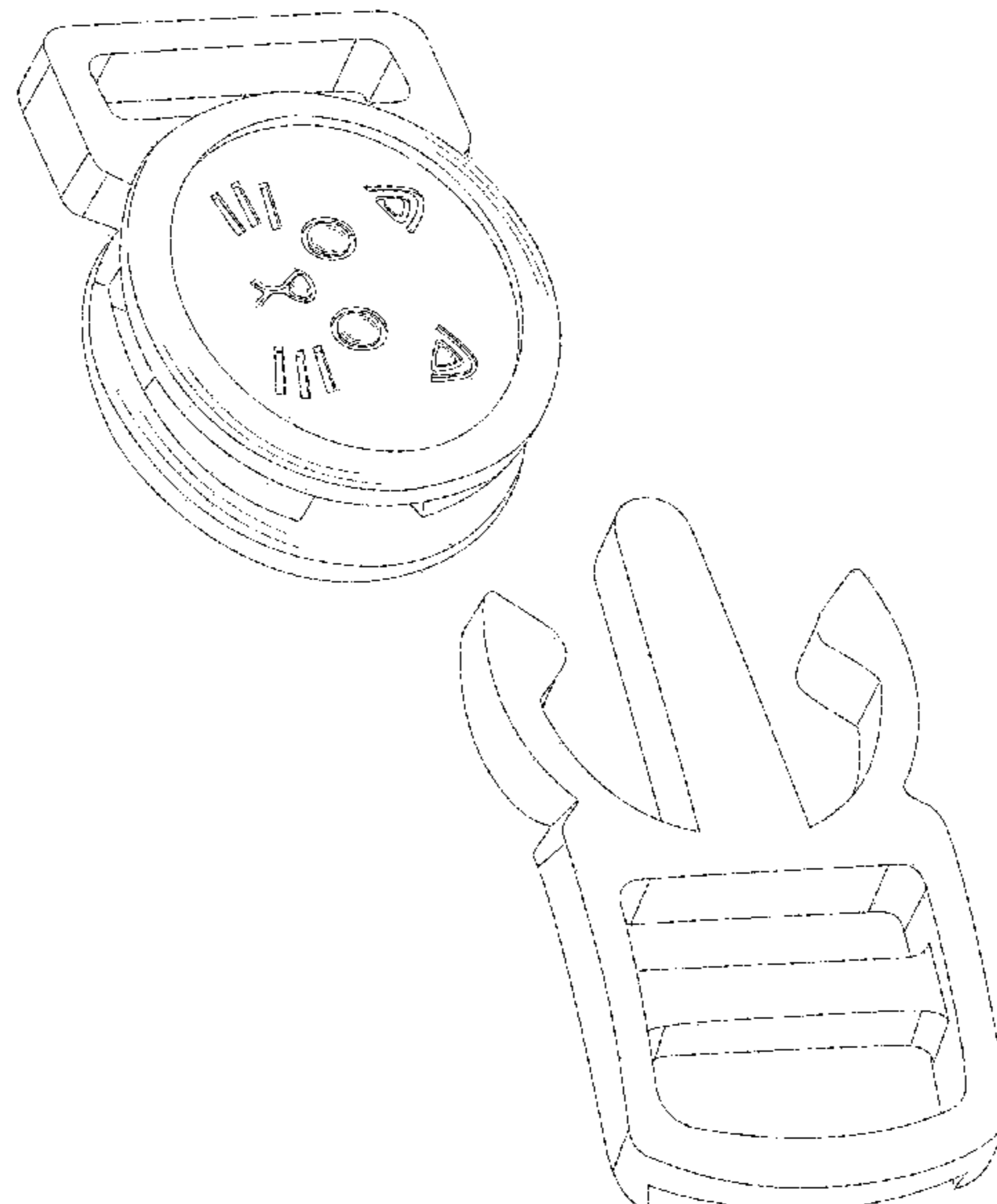
FIG. 5 is a right side elevation view thereof;

FIG. 6 is a top plan view thereof;

FIG. 7 is a bottom plan view thereof; and,

FIG. 8 is an exploded perspective view thereof showing the buckle in its fully open position.

1 Claim, 8 Drawing Sheets



(56)

References Cited

OTHER PUBLICATIONS

4leggedCompanions Reflective Cat Collar, available Jun. 6, 2022, online, site visited Nov. 3, 2022. Available online, URL: <https://www.amazon.com/4leggedCompanions-Reflective-Cat-Collar-Adjustable/dp/B0B37ZZL95/> (Year: 2022).*

Sam and Maui Linen Blend Adjustable Cat Collar, available Apr. 7, 2022, online, site visited Nov. 3, 2022. Available online, URL: <https://www.amazon.com/Sam-Maui-Adjustable-Breakaway-Release/dp/B09XDP3BV4/> (Year: 2022).*

* cited by examiner

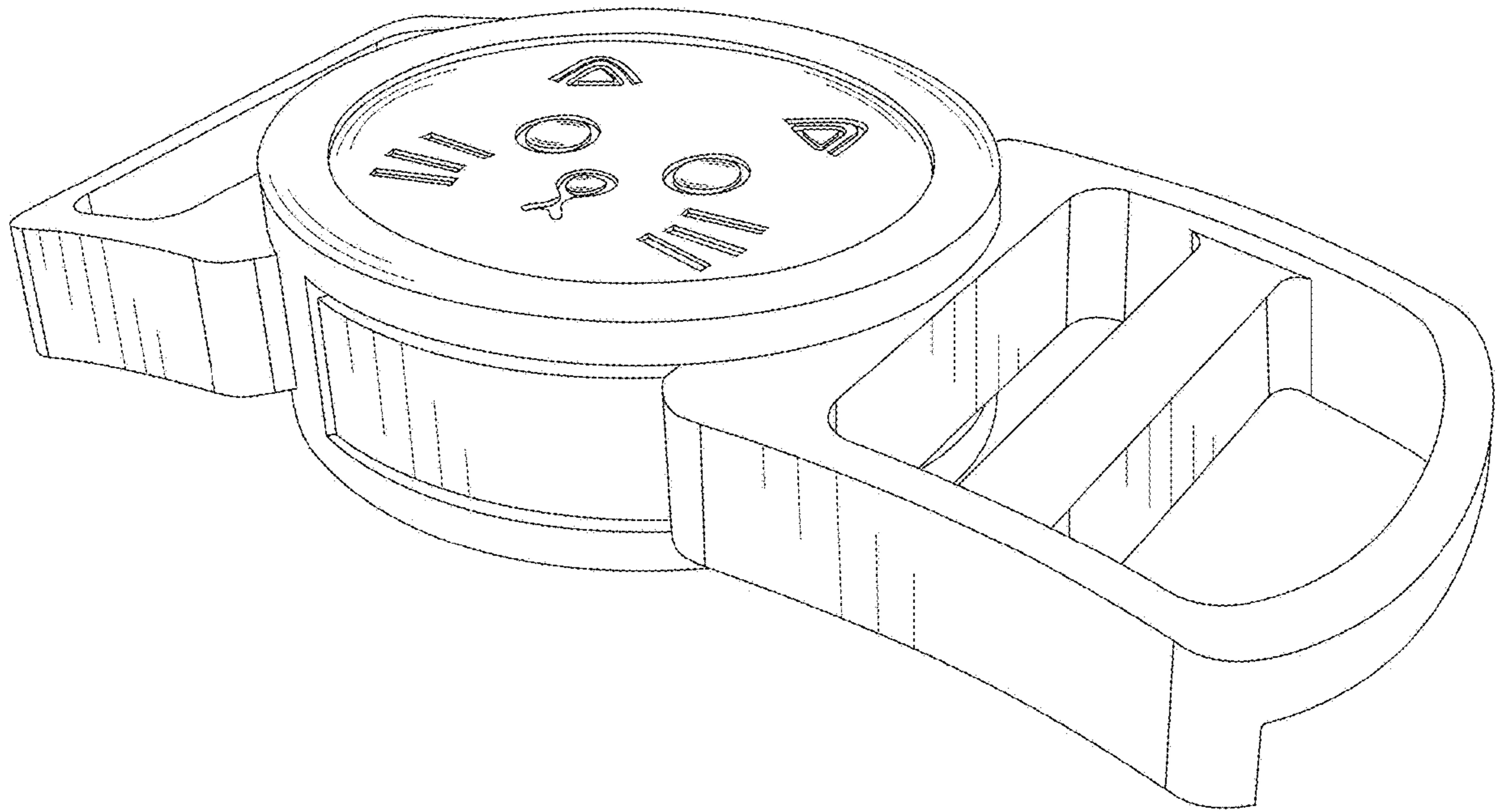


FIG. 1

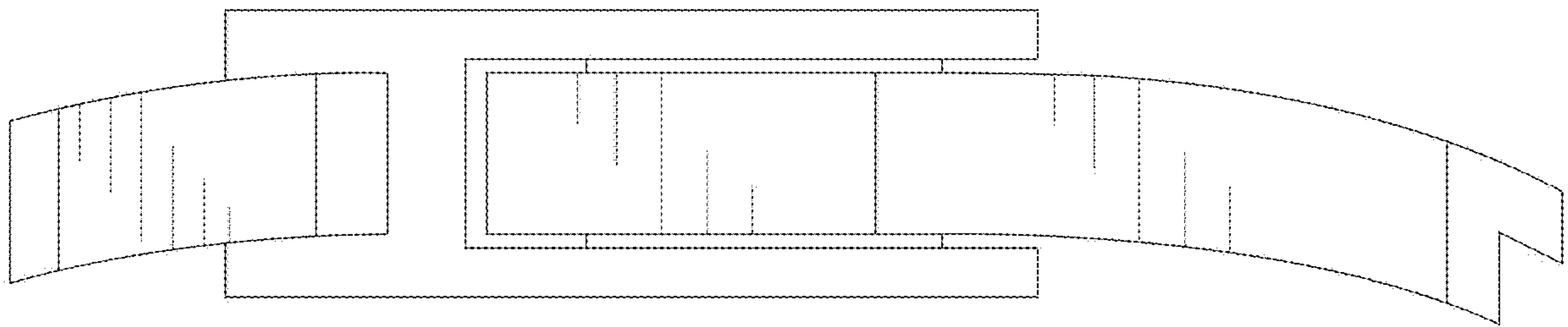


FIG. 2

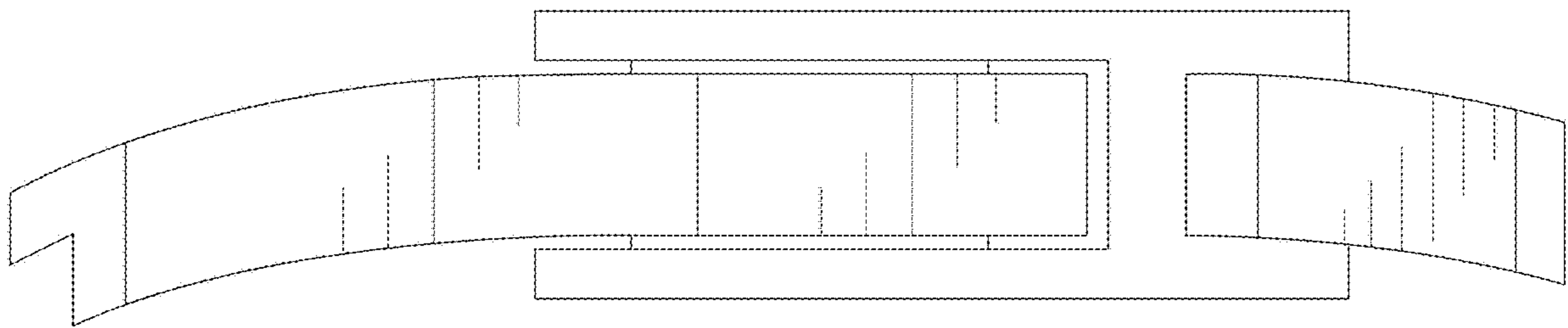


FIG. 3

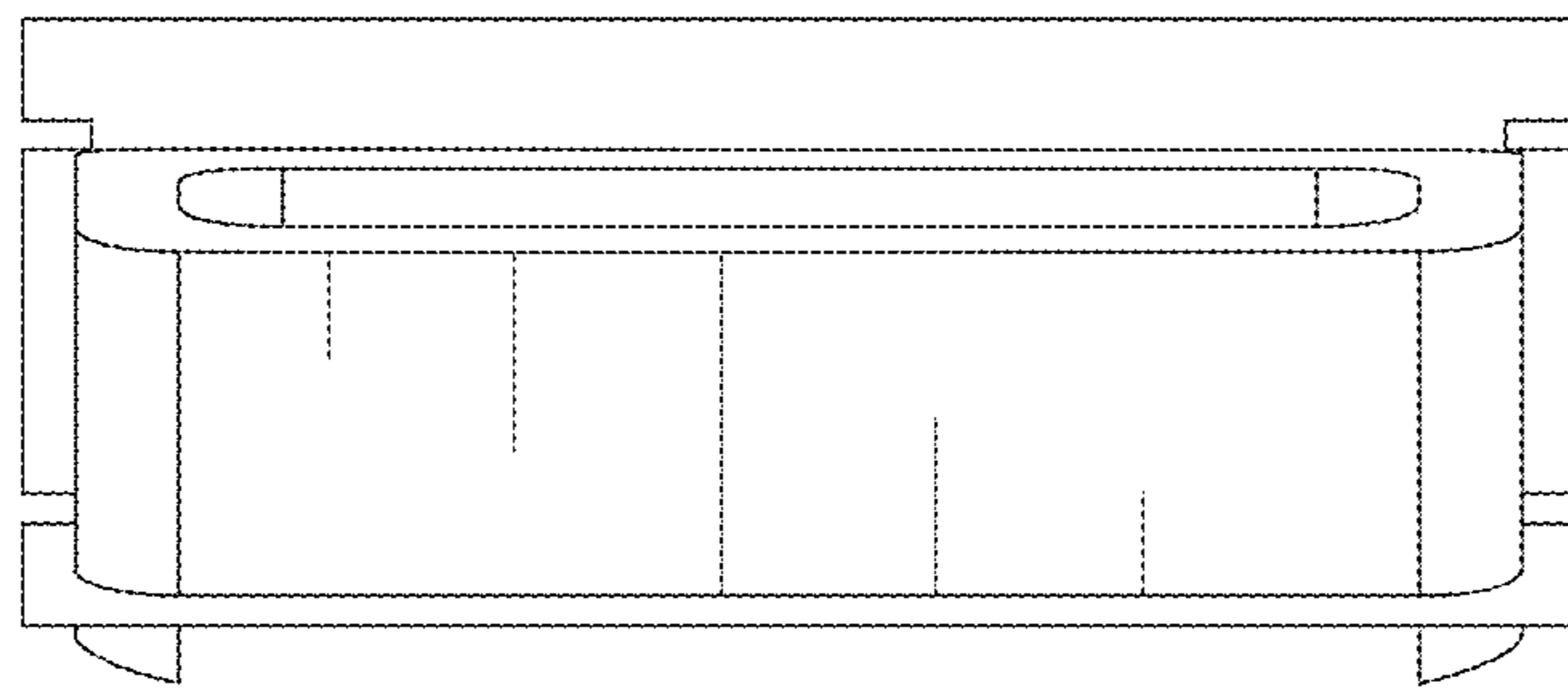


FIG. 4

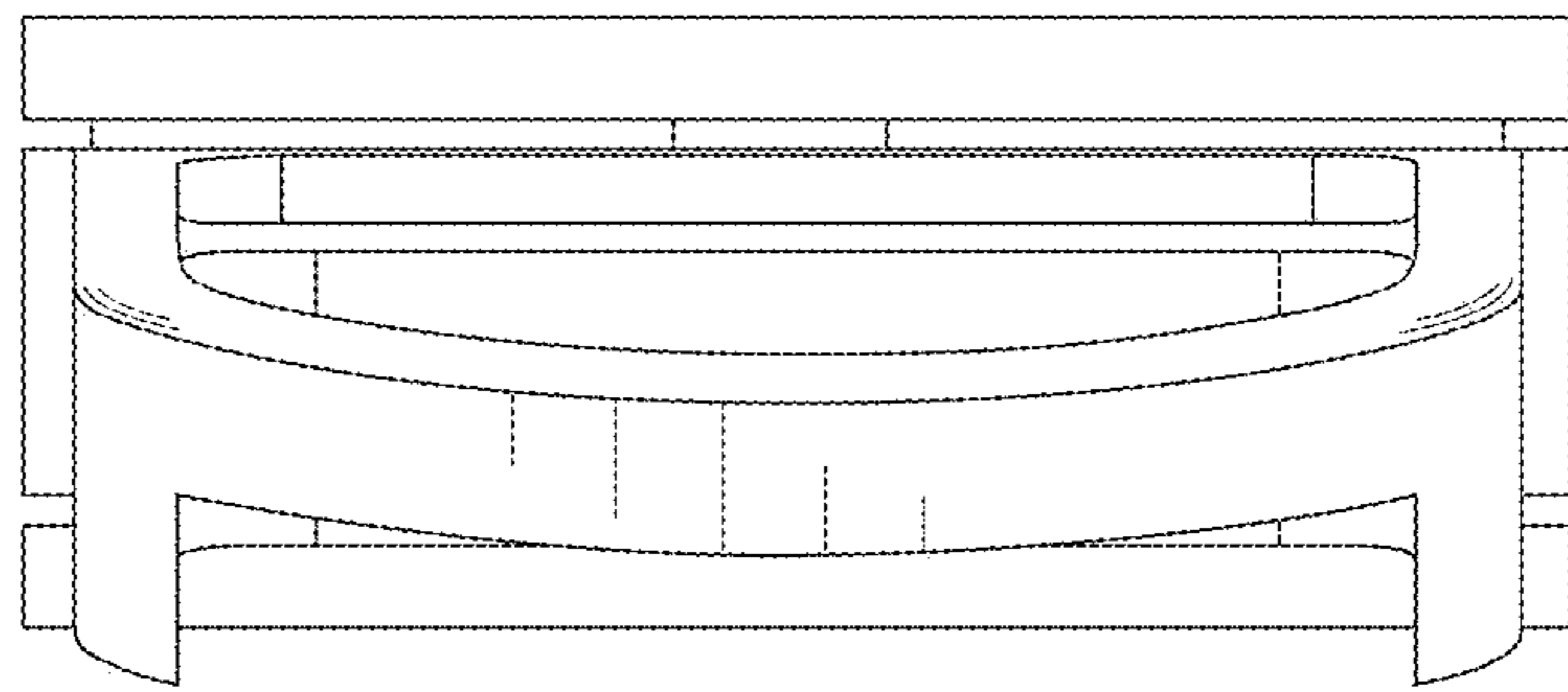


FIG. 5

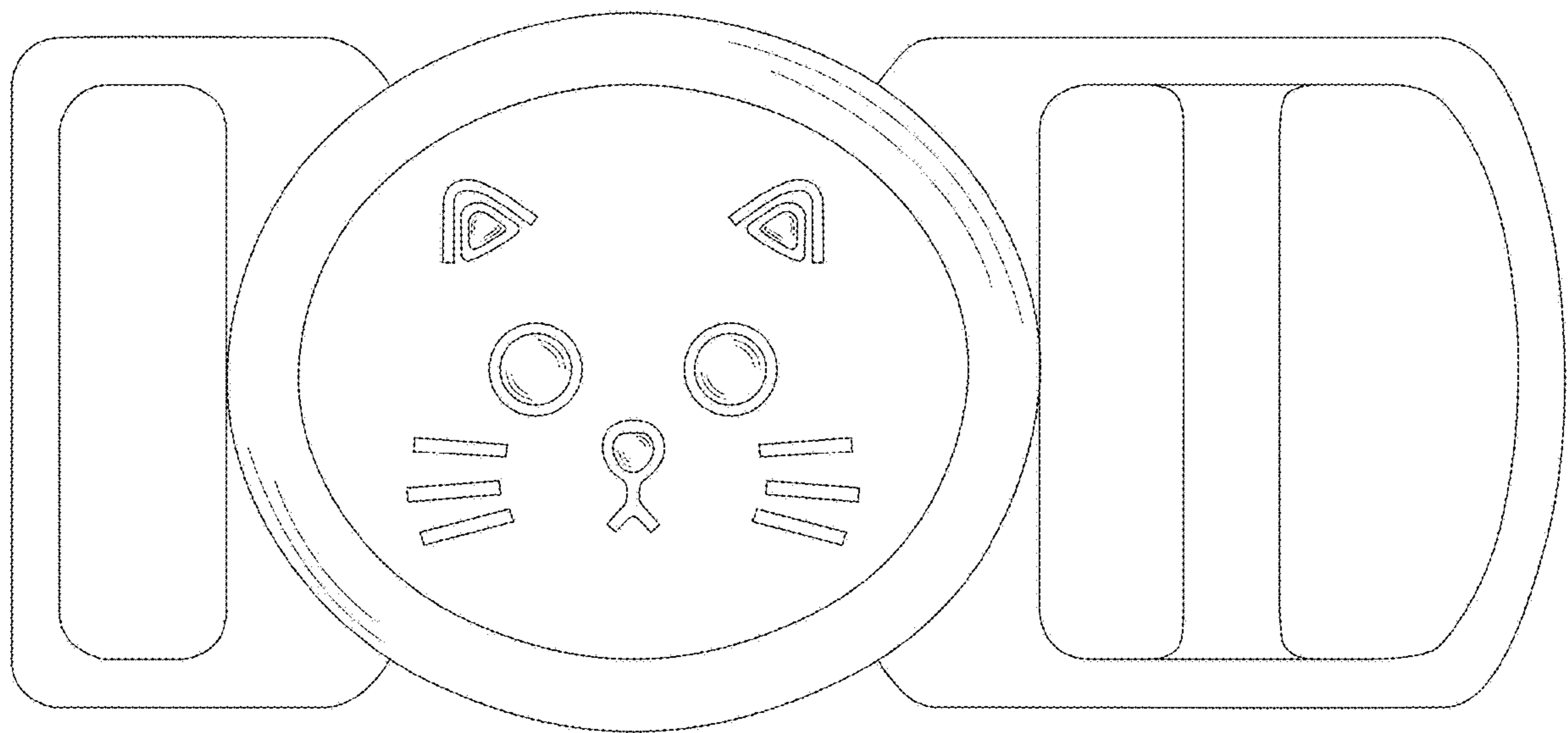


FIG. 6

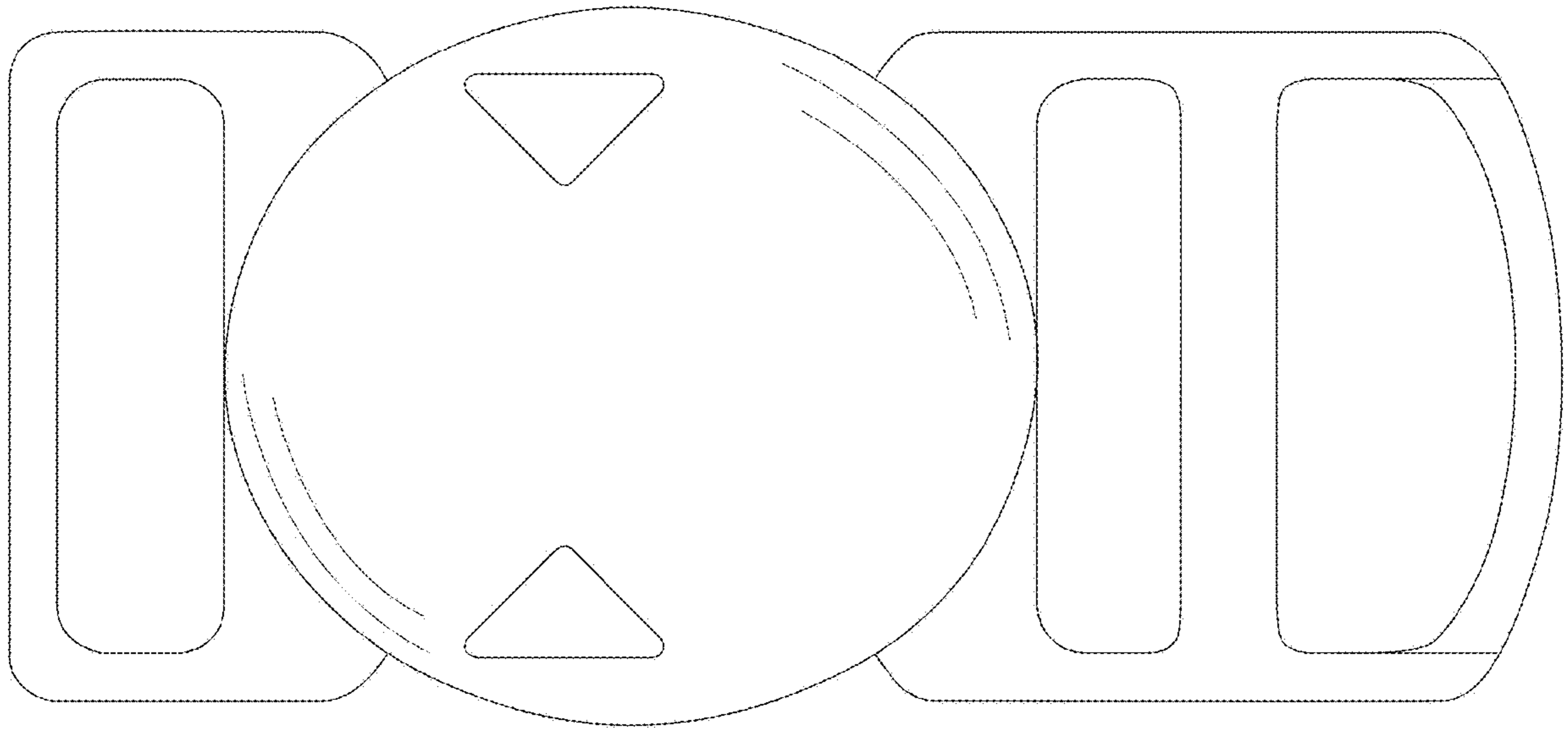


FIG. 7

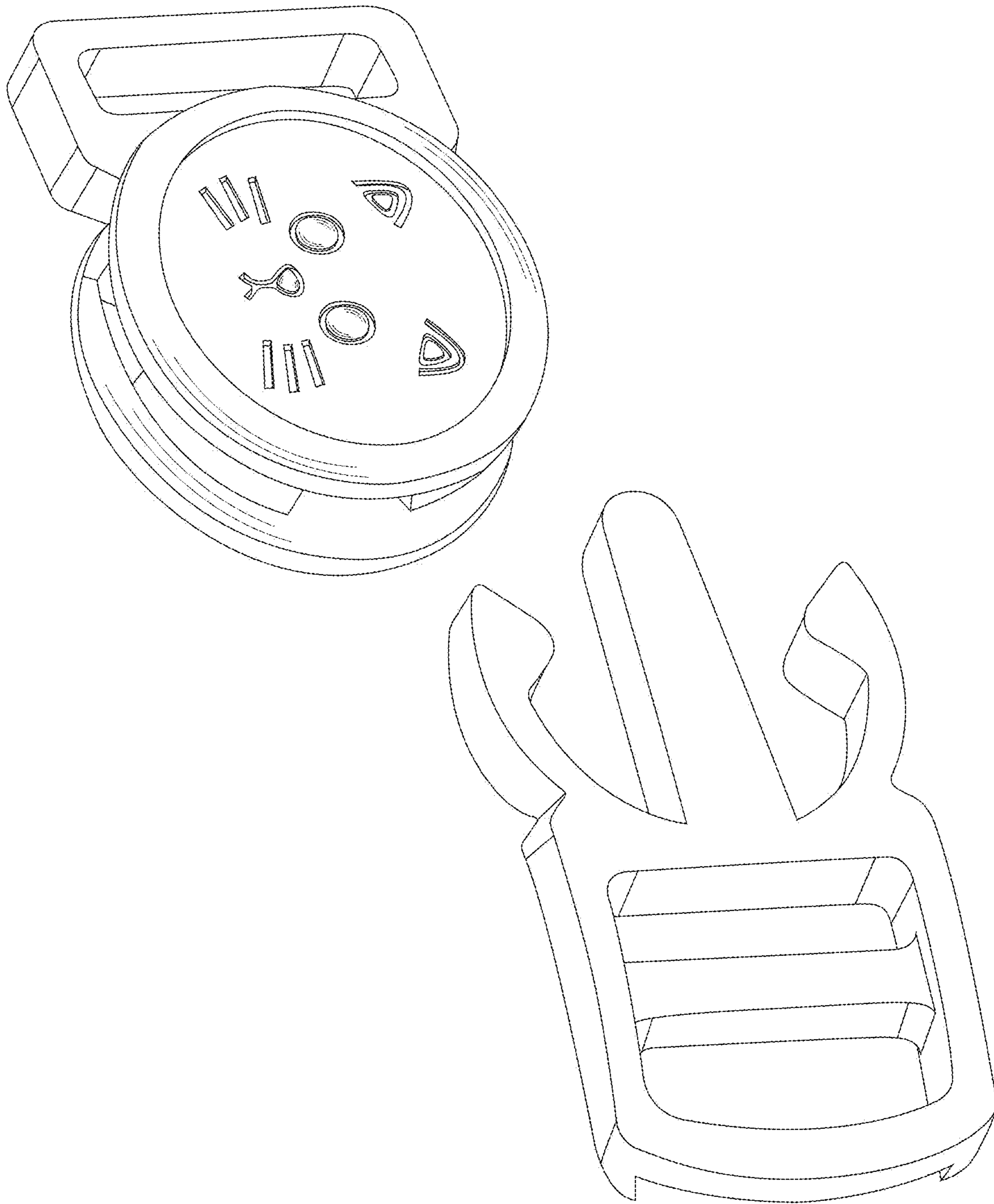


FIG. 8