



US00D977363S

(12) **United States Design Patent**
Bateman et al.

(10) **Patent No.:** **US D977,363 S**

(45) **Date of Patent:** **** Feb. 7, 2023**

- (54) **PAIR OF SPEAKER EARRINGS**
- (71) Applicants: **Michael Bateman**, Apopka, FL (US);
Christopher Reynante, Apopka, FL (US)
- (72) Inventors: **Michael Bateman**, Apopka, FL (US);
Christopher Reynante, Apopka, FL (US)
- (**) Term: **15 Years**
- (21) Appl. No.: **29/764,044**
- (22) Filed: **Dec. 28, 2020**
- (51) **LOC (14) Cl.** **11-01**
- (52) **U.S. Cl.**
USPC **D11/48; D11/2; D11/40; D14/216**
- (58) **Field of Classification Search**
USPC D11/1-7, 16, 40-45, 47-50, 52;
D14/204, 215, 216, 221, 222, 223
CPC A44C 1/00; A44C 5/00; A44C 5/0007;
A44C 5/02; A44C 7/00; A44C 7/002;
H04R 1/10; H04R 1/1016; H04R 1/1066;
H04R 1/105; H04R 1/1033; H04R 1/08
See application file for complete search history.

(56) **References Cited**

U.S. PATENT DOCUMENTS

758,848	A	*	5/1904	Pejchar	A44C 7/00 63/29.1
5,319,164	A	*	6/1994	Shen	H04R 1/025 D14/215
D362,442	S	*	9/1995	Goldfarb	D14/215
D433,349	S	*	11/2000	Brisk	D11/41
D433,402	S	*	11/2000	Azumi	D14/215
D460,014	S	*	7/2002	Williams	D11/91
D653,151	S	*	1/2012	Bennett	D11/40
D668,984	S	*	10/2012	Sasportas	D11/40
D674,719	S	*	1/2013	Bennett	D11/40
D686,186	S	*	7/2013	Kaneko	D14/496

D708,540	S	*	7/2014	Norendzayan	D11/40
D708,541	S	*	7/2014	Norendzayan	D11/41
D712,777	S	*	9/2014	Kuiawa	D11/40

(Continued)

FOREIGN PATENT DOCUMENTS

GB 8098055000-1000 * 6/2017

OTHER PUBLICATIONS

Spiritilele, first available Nov. 3, 2022 [online], [retrieved Nov. 15, 2022]. Available from the Internet, URL: <https://a.co/d/03Dd6JA>. (Year: 2022).*

(Continued)

Primary Examiner — Dana K Weiland
Assistant Examiner — Russell Carnell Smith, Jr.
(74) *Attorney, Agent, or Firm* — Sanchelima & Associates, P.A.; Christian Sanchelima; Jesus Sanchelima

(57) **CLAIM**

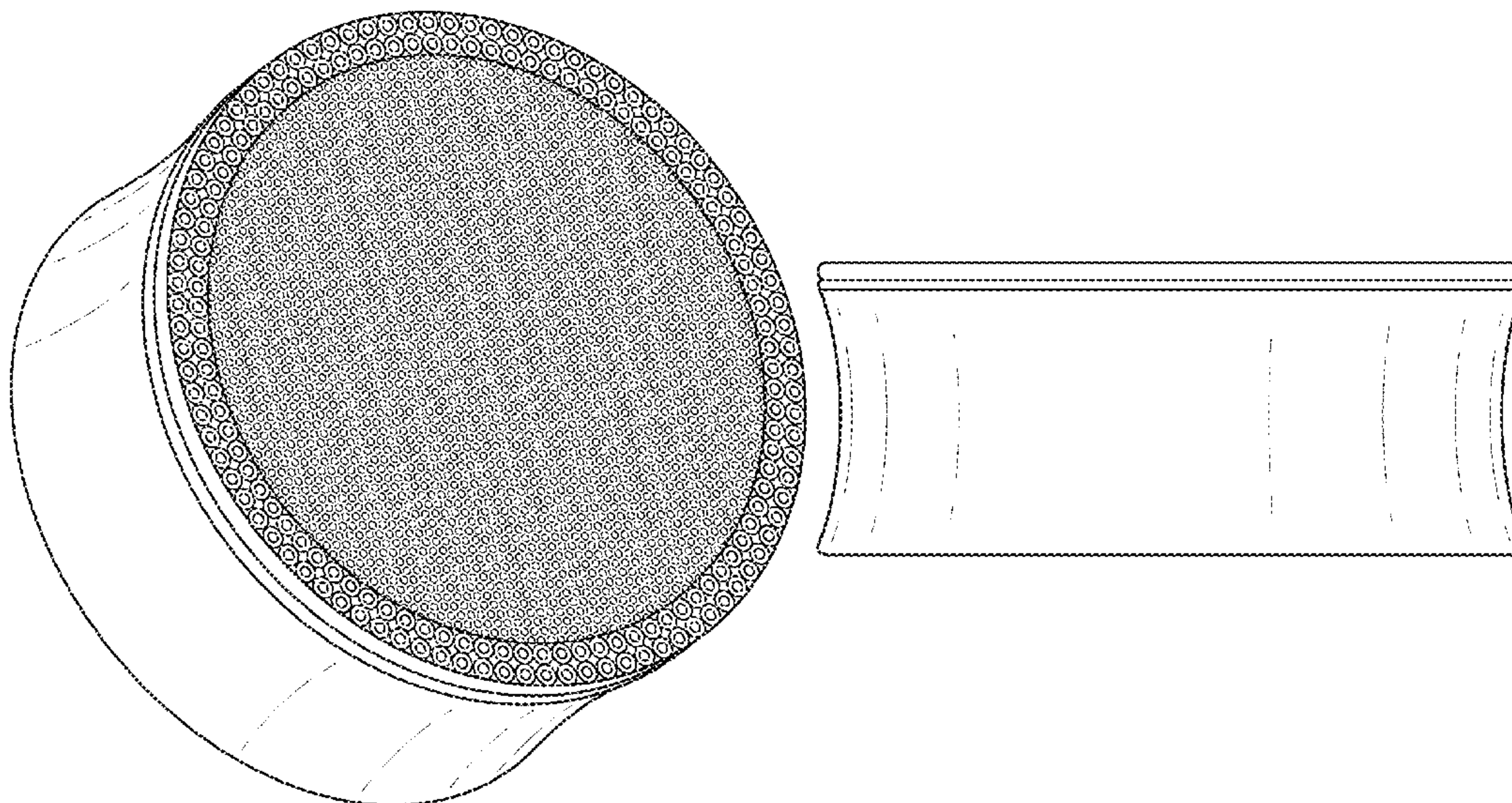
The ornamental design for a pair of speaker earrings, as shown and described.

DESCRIPTION

FIG. 1 is an isometric view of a speaker earring of the pair of speaker earrings, showing our new design; FIG. 2 is a front elevational view thereof; FIG. 3 is a rear elevational view thereof; FIG. 4 is a left side elevational view thereof; FIG. 5 is a right elevational view thereof; FIG. 6 is a top plan view thereof; FIG. 7 is a bottom plan view thereof; and, FIG. 8 is an isometric view of the pair of speaker earrings within a carrying case.

The broken line showing of the carrying case is for the purpose of illustrating environmental structure. The broken line showing of the magnetic connections is for the purpose of illustrating portions of the pair of speaker earrings. None of the broken lines form part of the claimed design.

1 Claim, 5 Drawing Sheets



(56)

References Cited

U.S. PATENT DOCUMENTS

D723,519	S	*	3/2015	Files	D14/215
D782,441	S	*	3/2017	Morrison	D14/204
D798,806	S	*	10/2017	Soriano	D13/108
D803,811	S	*	11/2017	Katsuno	D14/215
D824,272	S	*	7/2018	Hartley	D11/1
D866,518	S	*	11/2019	Ding	D14/216
D919,590	S	*	5/2021	Ekamby	D14/204
D919,598	S	*	5/2021	Laurans	D14/219
D954,018	S	*	6/2022	Teruzzi	D14/204
D962,196	S	*	8/2022	Li	D14/224
D967,053	S	*	10/2022	Vozzi	D14/204

OTHER PUBLICATIONS

True Wireless Speakers, first available Jan. 3, 2018 [online], [retrieved Nov. 18, 2022]. Available from the Internet, URL:<<https://www.amazon.com/True-Wireless-Speakers-Bluetooth-Smartphones/dp/B078SLF7YF/>>. (Year: 2018).*

Magnetic Earrings, first available Sep. 23, 2022 [online], [retrieved Nov. 18, 2022]. Available from the Internet, URL:<<https://a.co/d/huYKKss>>. (Year: 2022).*

Women Stud Earrings, first available May 18, 2018 [online], [retrieved Nov. 18, 2022]. Available from the Internet, URL:<<https://a.co/d/9gFo8ed>>. (Year: 2018).*

Ear lobe speakers, first available Jan. 29, 2012 [online], [retrieved Nov. 18, 2022]. Available from the Internet, URL:<<https://pin.it/3hvwS6d>>. (Year: 2012).*

Double Flared Gauges, first available Jul. 30, 2022 [online], [retrieved Nov. 18, 2022]. Available from the Internet, URL:<<https://a.co/d/3kT3aGI>>. (Year: 2022).*

* cited by examiner

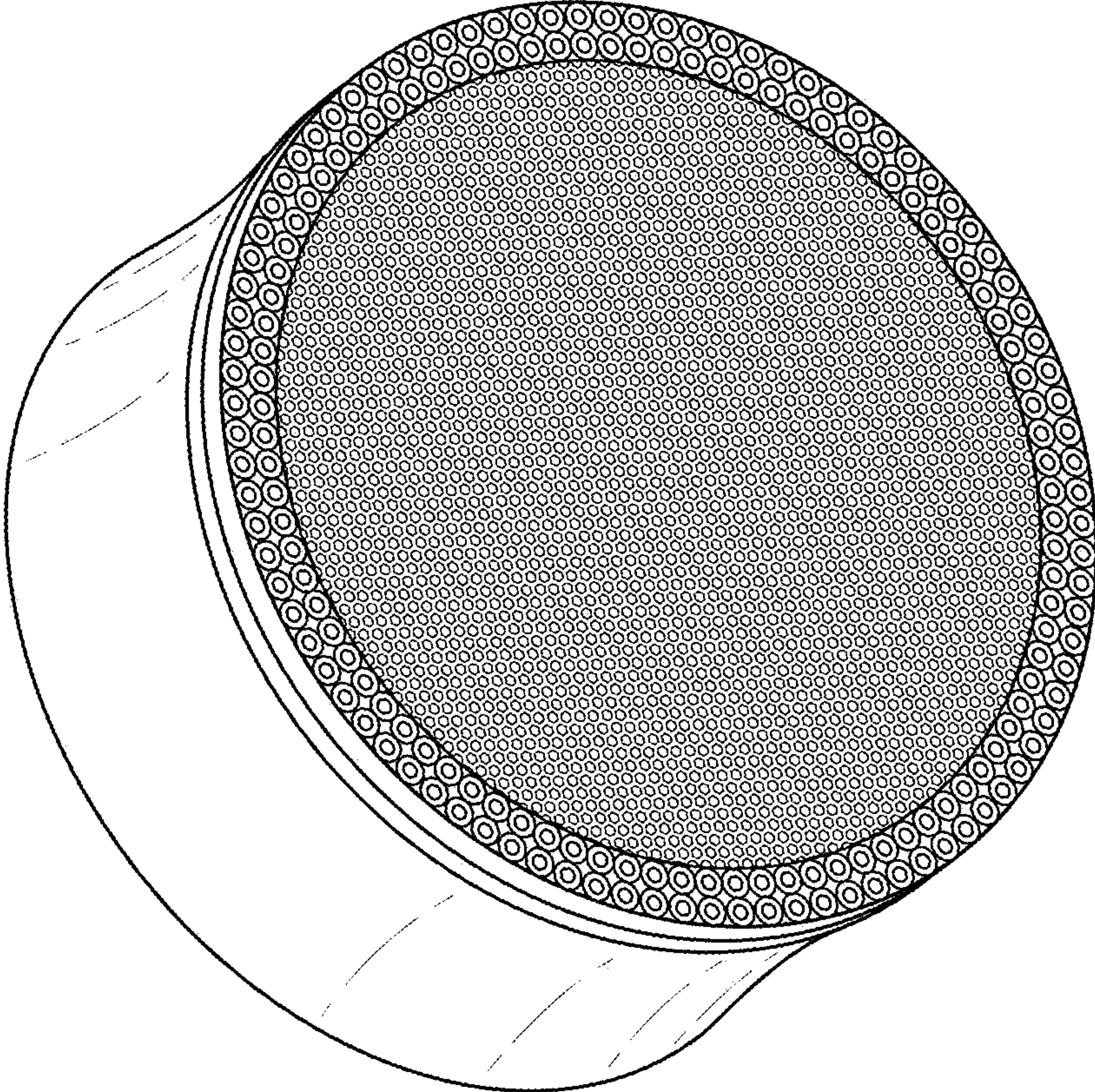


FIG. 1

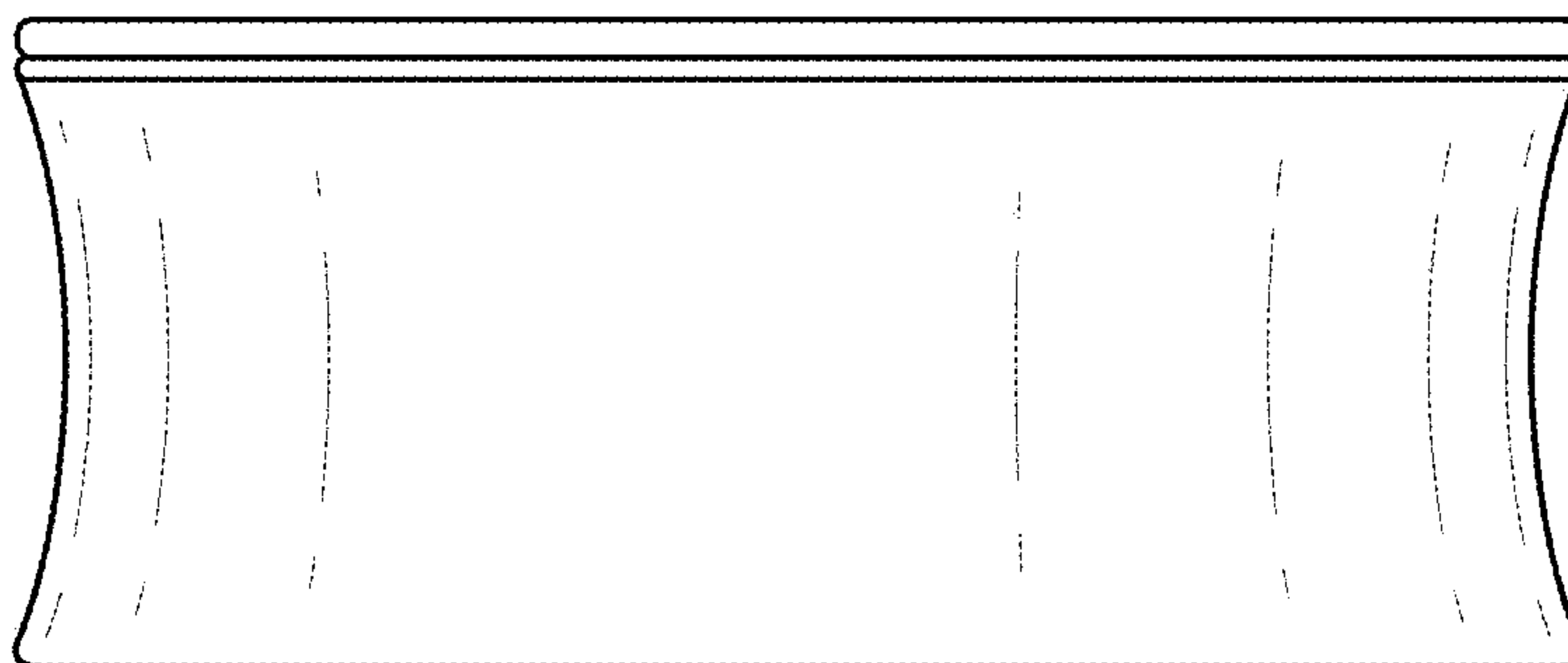


FIG. 2

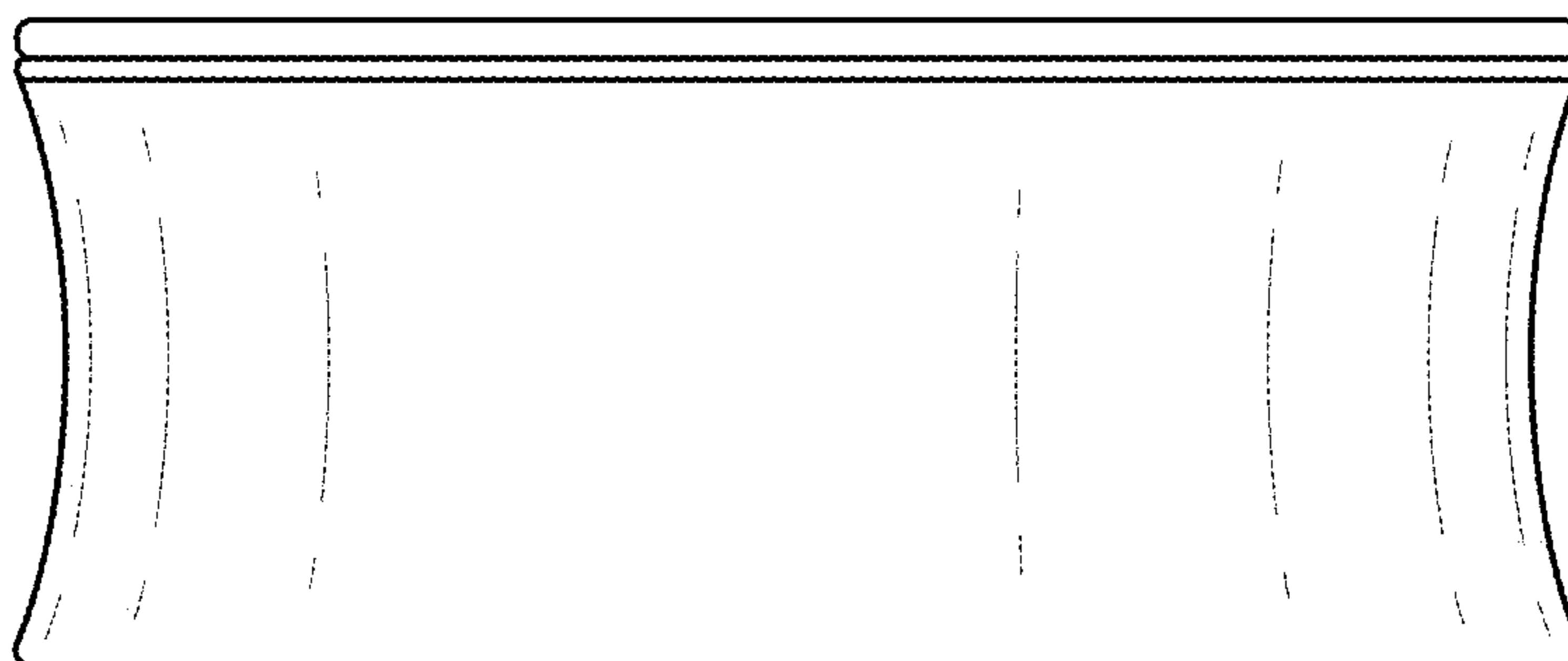


FIG. 3

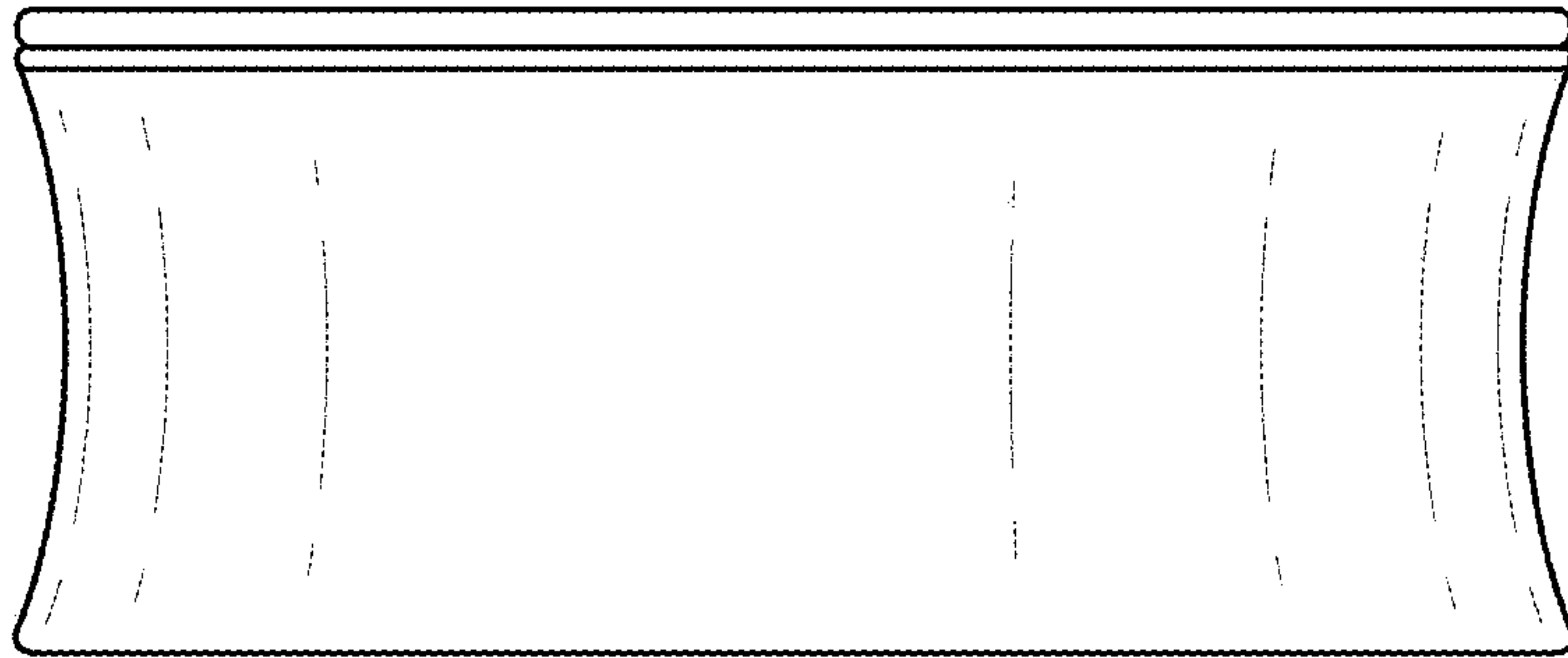


FIG. 4

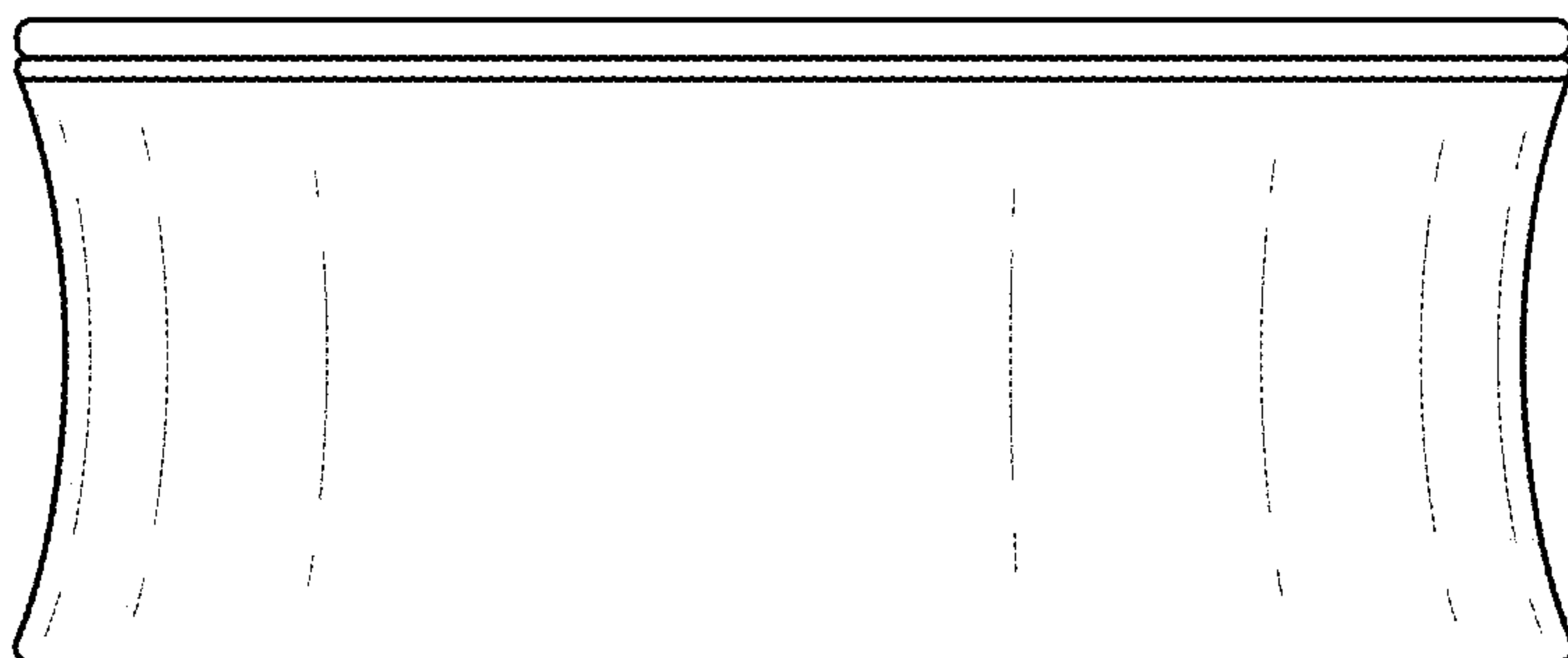


FIG. 5

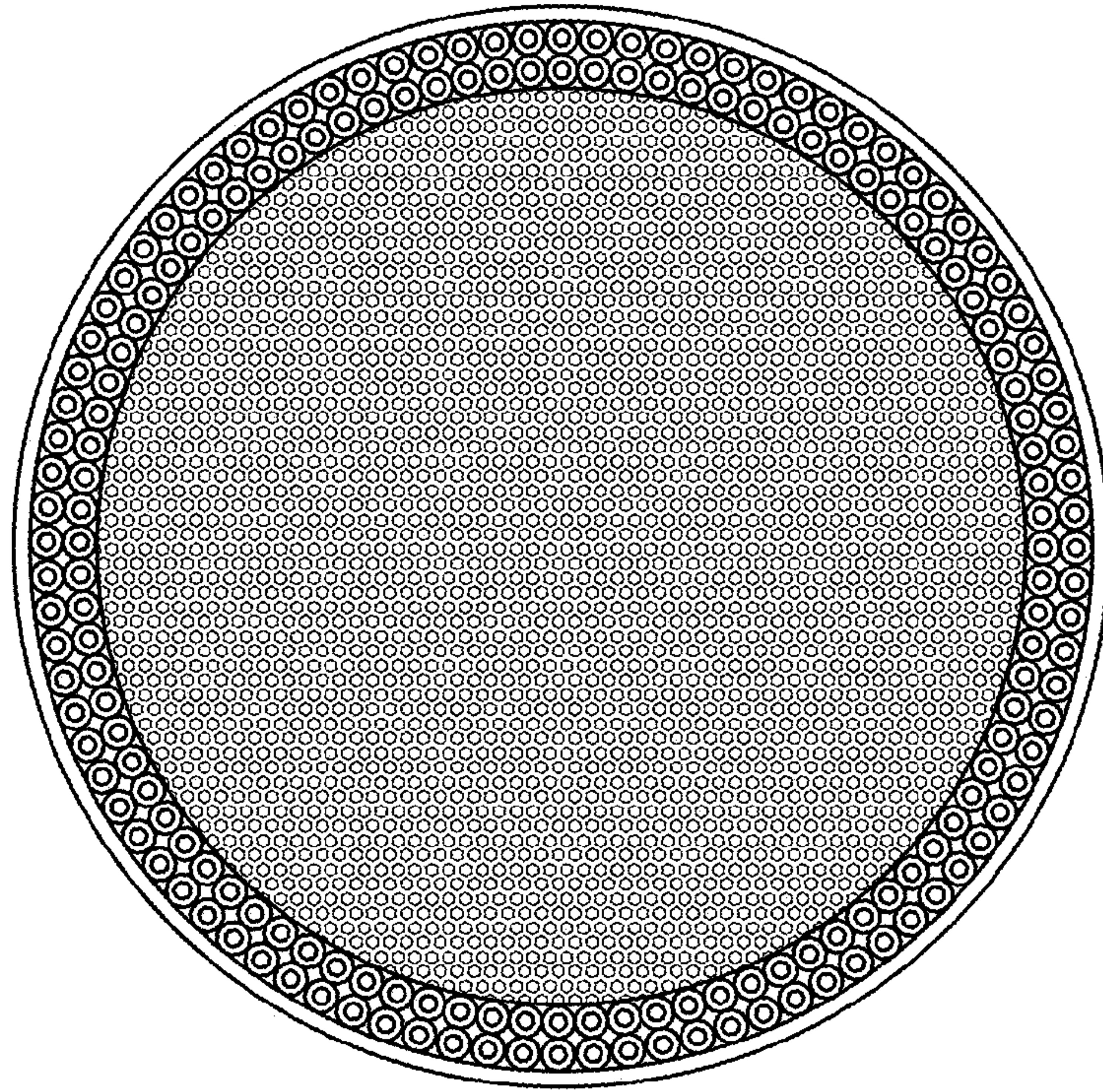


FIG. 6

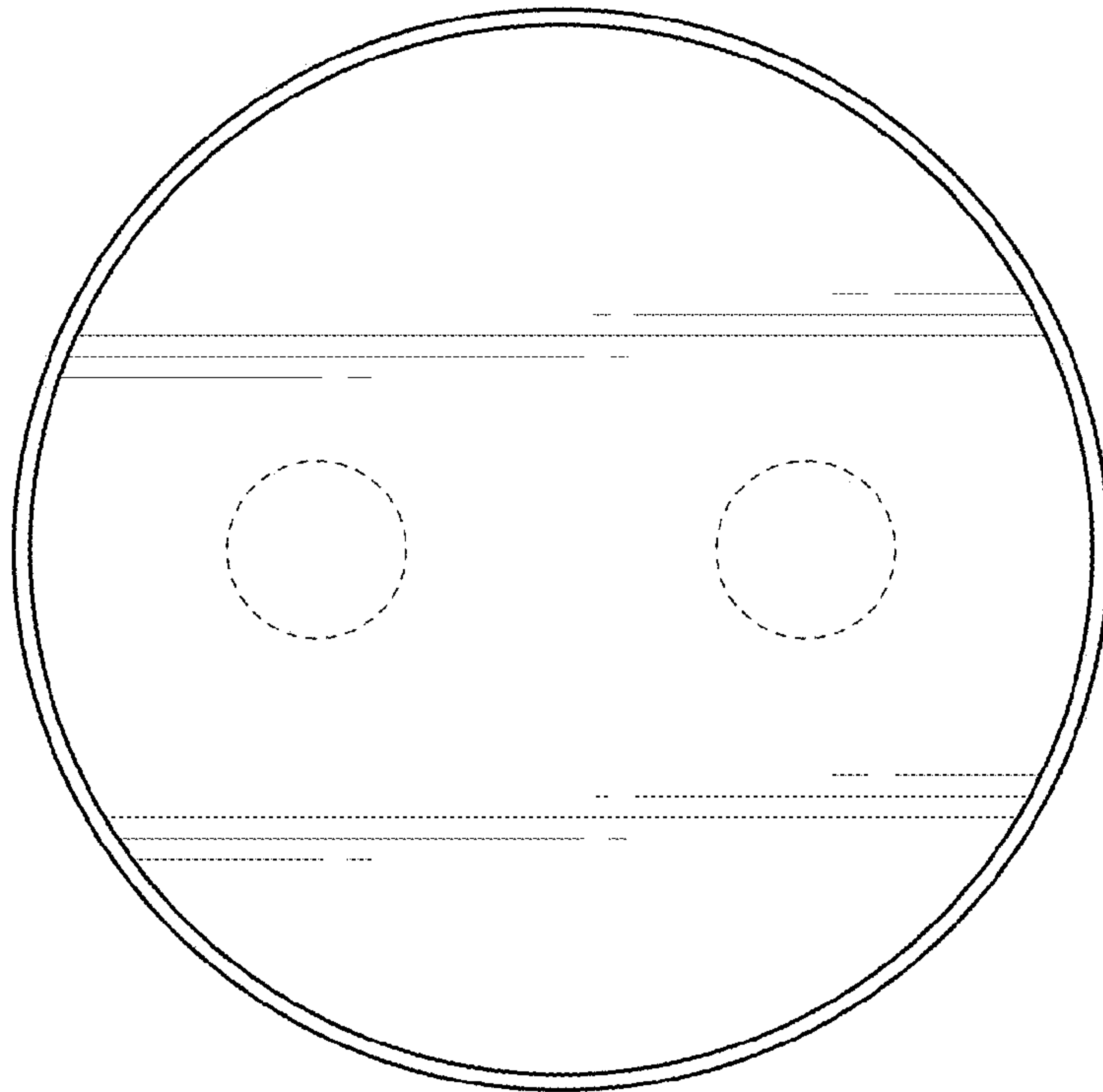


FIG. 7

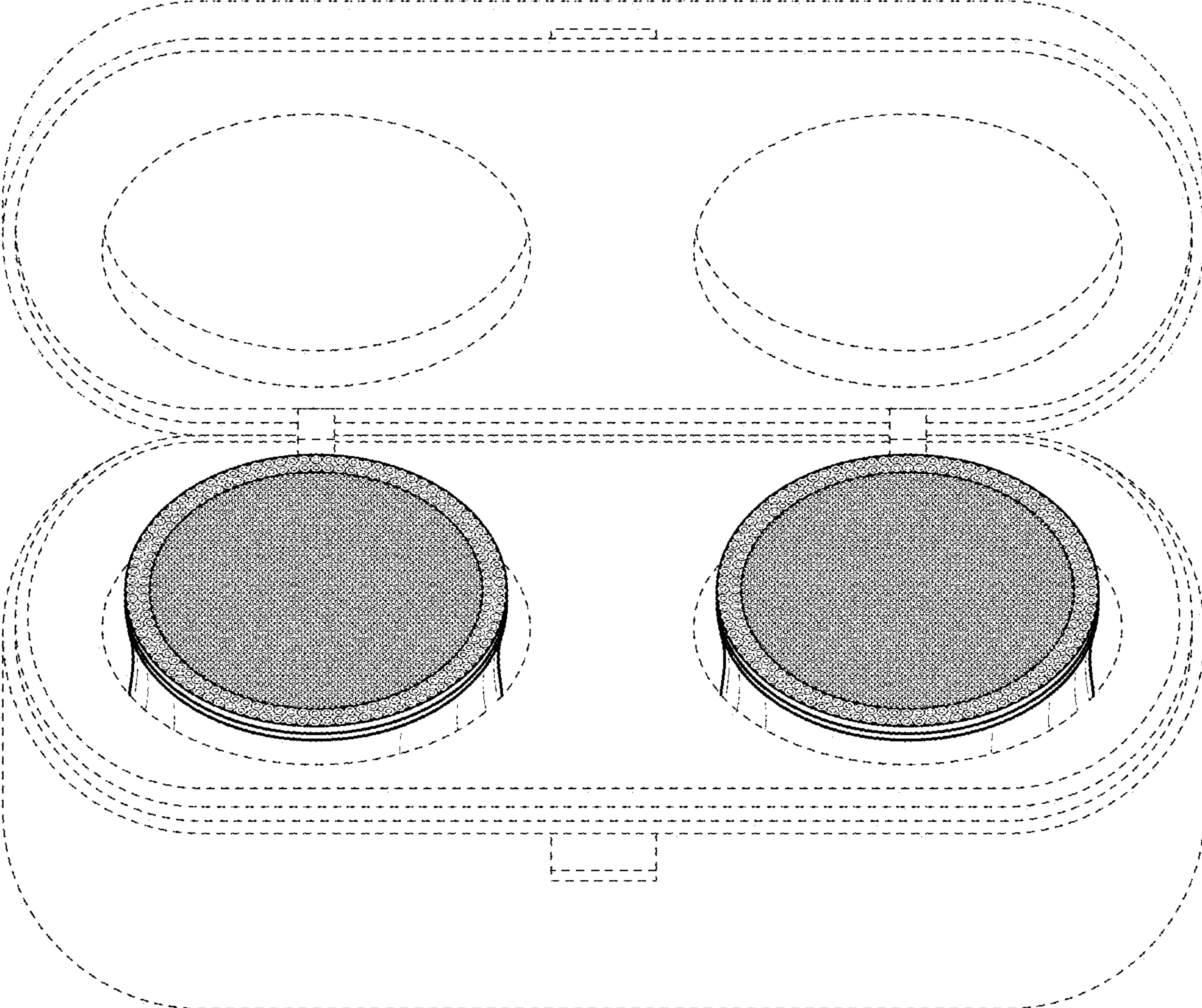


FIG. 8