



US00D977362S

(12) **United States Design Patent**
Zhang

(10) **Patent No.:** **US D977,362 S**

(45) **Date of Patent:** **** Feb. 7, 2023**

(54) **WATCHBAND**

(71) Applicant: **Shenzhen Xianyang E-Commerce Co., Ltd.**, Shenzhen (CN)

(72) Inventor: **Jianlan Zhang**, Shenzhen (CN)

(73) Assignee: **Shenzhen Xianyang E-Commerce Co., Ltd.**, Shenzhen (CN)

(**) Term: **15 Years**

(21) Appl. No.: **29/854,553**

(22) Filed: **Sep. 26, 2022**

(51) **LOC (14) Cl.** **11-01**

(52) **U.S. Cl.**
USPC **D11/3**

(58) **Field of Classification Search**
USPC D11/1-25, 86, 93, 94; D10/30-39, 70,
D10/46; D24/186, 167; D14/344;
D2/627, 635

CPC G04B 37/1486; G04B 37/16; G04B 37/18;
A44C 5/14; A44C 5/0053; A44C 5/0069;
A44C 5/0076; A44C 5/00; A44C 5/0007;
A44C 5/0015; A44C 5/0023; A44C
5/003; A44C 5/0061; A44C 5/12; A44C
5/147; A44C 5/18; A44C 5/185
See application file for complete search history.

(56) **References Cited**

U.S. PATENT DOCUMENTS

D71,839 S * 1/1927 Klinke D11/15
D126,086 S * 3/1941 Bayan D11/3
D136,558 S * 10/1943 Searer D11/3
D926,053 S * 7/2021 Soheili D14/344

D955,257 S * 6/2022 Huang D11/3
D961,437 S * 8/2022 Tian
D963,505 S * 9/2022 Ke D11/3
D968,998 S * 11/2022 Tian D11/3
D968,999 S * 11/2022 Peng D11/3
D970,381 S * 11/2022 Tian D10/32
D971,054 S * 11/2022 Tan D11/15

OTHER PUBLICATIONS

[Online] https://www.amazon.com/Silicone-Compatible-Hollow-out-Replacement-Wristbands/dp/B09YGXYMDL/ref=sr_1_53?crd=3MDFV0Y8ODT7C&keywords=scalloped+watch+band&qid=1670101351&srefix=scalloped+watch+band%2Caps%2C100&sr=8-53. Posted online Apr. 21, 2022. Retrieved Dec. 3, 2022.*

* cited by examiner

Primary Examiner — Melanie Pellegrini

(74) *Attorney, Agent, or Firm* — ScienBiziP, P.C.

(57) **CLAIM**

The ornamental design for a watchband, as shown and described.

DESCRIPTION

FIG. 1 is a front, right and top perspective view of a watchband, showing my design.

FIG. 2 is a front elevation view thereof.

FIG. 3 is a rear elevation view thereof.

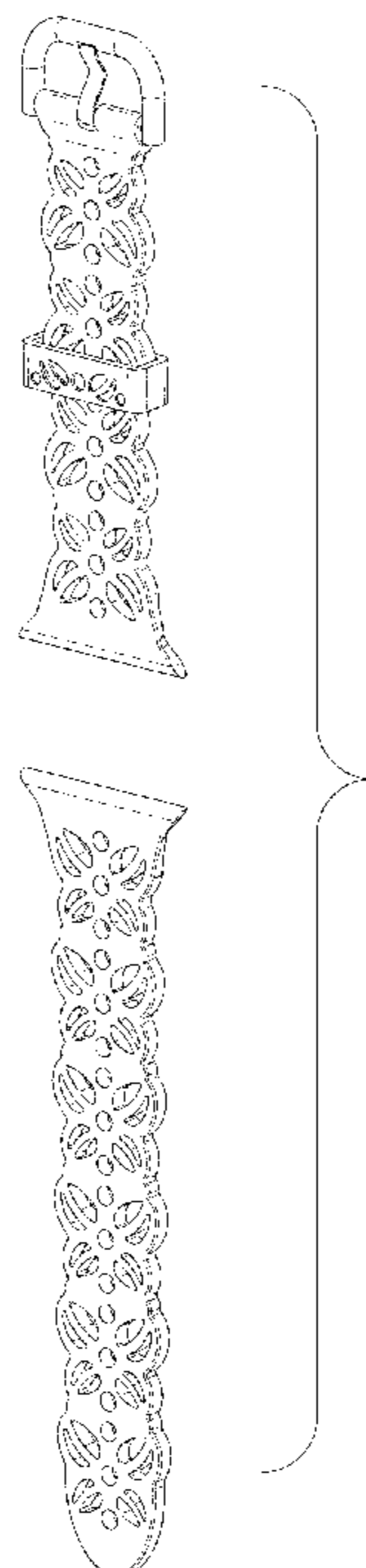
FIG. 4 is a left side elevation view thereof.

FIG. 5 is a right side elevation view thereof.

FIG. 6 is an enlarged top plan view thereof; and,

FIG. 7 is an enlarged bottom plan view thereof.

1 Claim, 7 Drawing Sheets



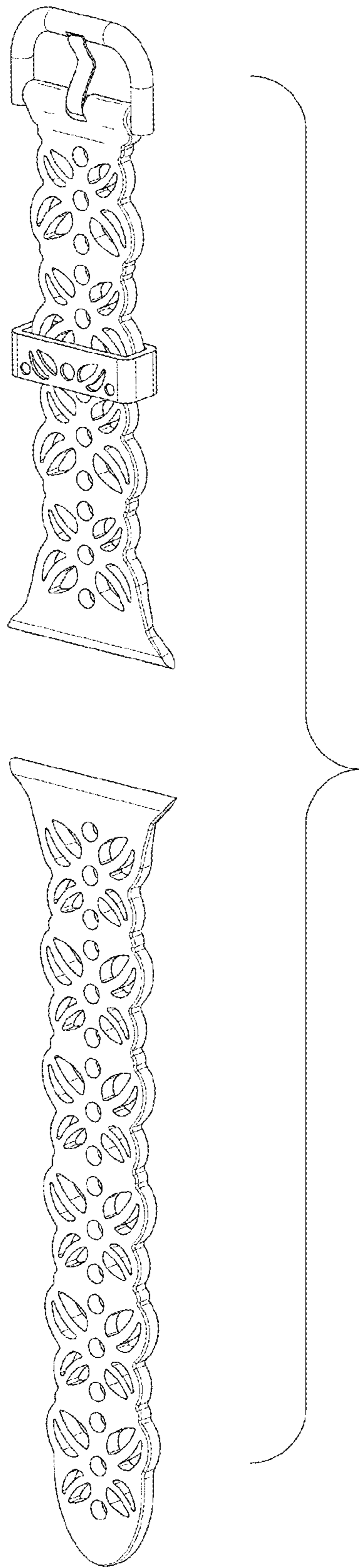


FIG. 1

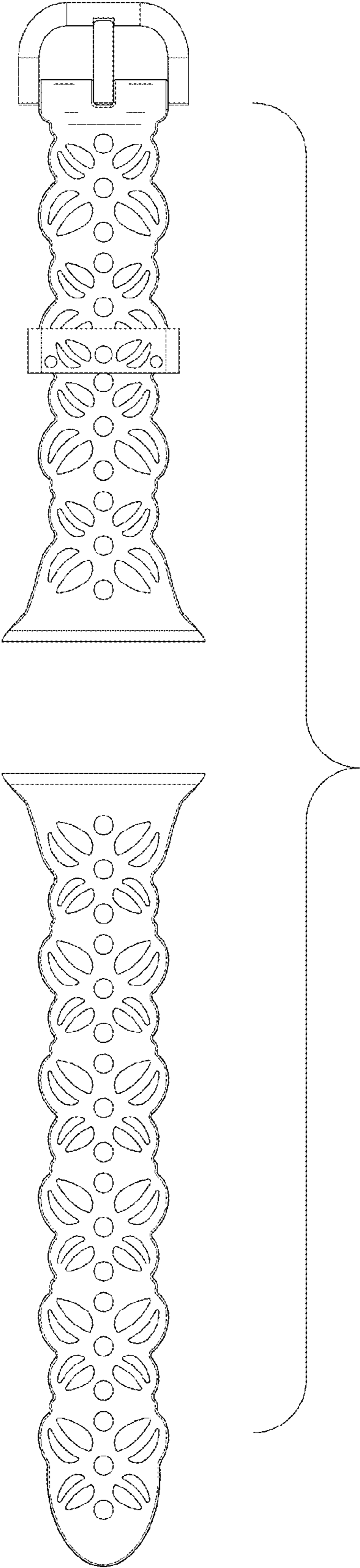


FIG. 2

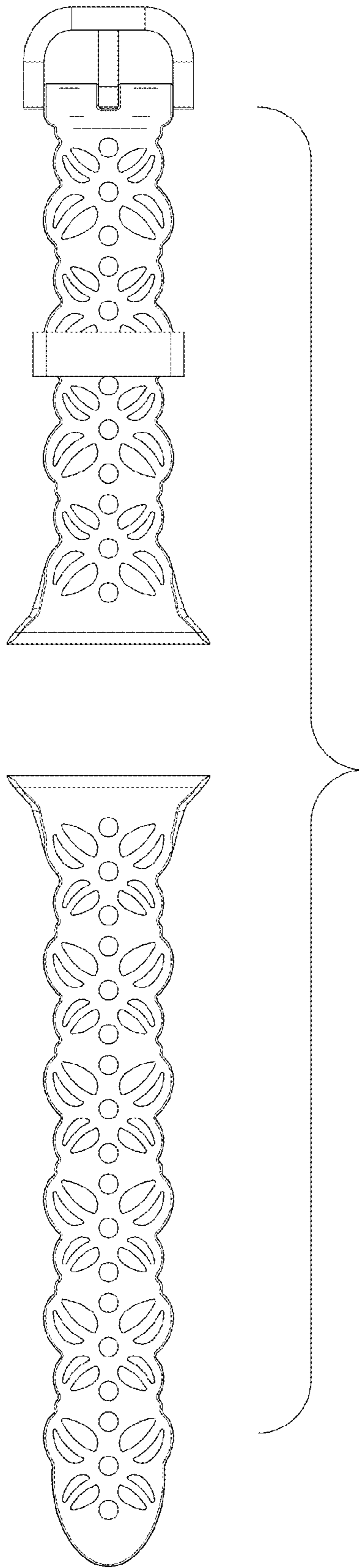


FIG. 3

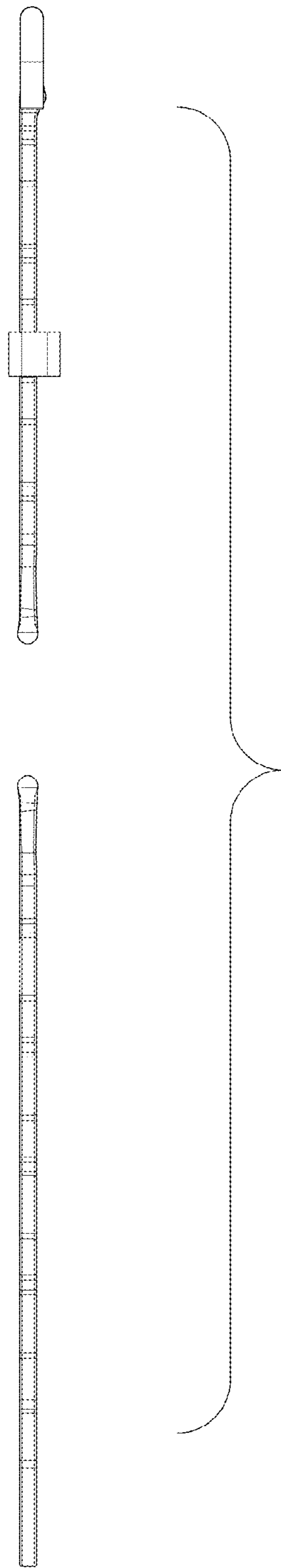


FIG. 4

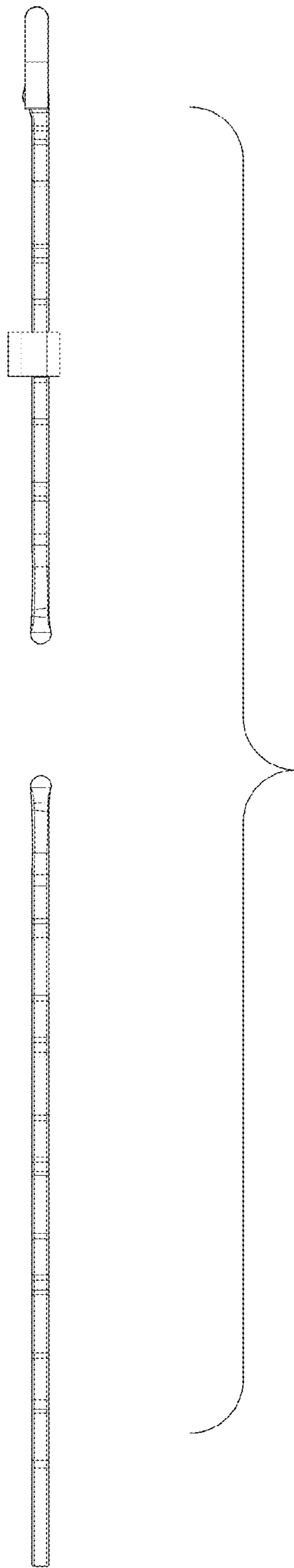


FIG. 5

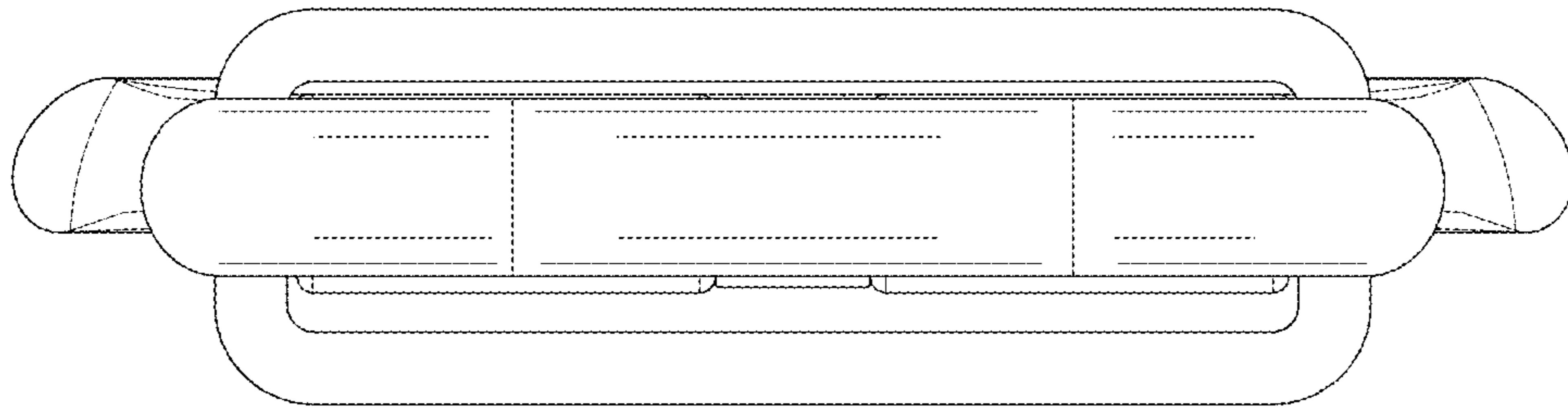


FIG. 6

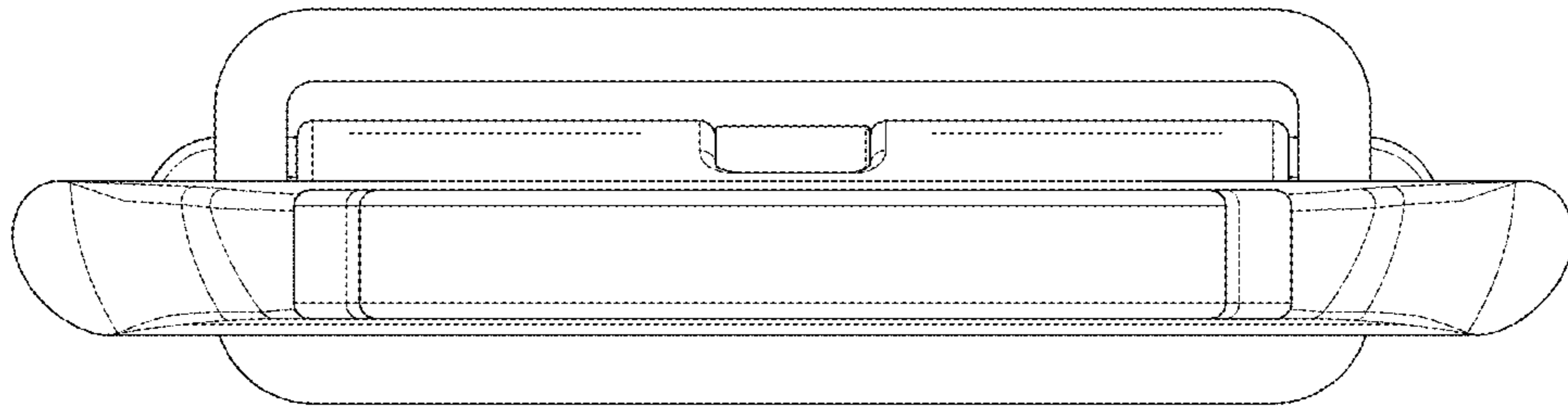


FIG. 7