



US00D977361S

(12) **United States Design Patent**
Sheng

(10) **Patent No.:** **US D977,361 S**
(45) **Date of Patent:** **** Feb. 7, 2023**

(54) **SENSOR COVER ARMBAND**

(71) Applicant: **Li Sheng**, Yongzhou (CN)

(72) Inventor: **Li Sheng**, Yongzhou (CN)

(**) Term: **15 Years**

(21) Appl. No.: **29/852,017**

(22) Filed: **Sep. 2, 2022**

(51) **LOC (14) Cl.** **11-01**

(52) **U.S. Cl.**
USPC **D11/3**

(58) **Field of Classification Search**
USPC D11/1-25, 86, 93, 94; D10/30-39, 70,
D10/46; D24/186, 167; D14/344;
D2/627, 635
CPC G04B 37/1486; G04B 37/16; G04B 37/18;
A44C 5/14; A44C 5/0053; A44C 5/0069;
A44C 5/0076; A44C 5/00; A44C 5/0007;
A44C 5/0015; A44C 5/0023; A44C
5/003; A44C 5/0061; A44C 5/12; A44C
5/147; A44C 5/18; A44C 5/185
See application file for complete search history.

(56) **References Cited**

U.S. PATENT DOCUMENTS

D317,730 S *	6/1991	Mo	224/183
D698,689 S *	2/2014	Boyd	D11/4
D709,873 S *	7/2014	Aumiller	D14/344
D710,596 S	8/2014	Morgan et al.		
D715,537 S	10/2014	Soriano et al.		
D718,170 S *	11/2014	Aumiller	D10/32
D724,556 S *	3/2015	Choi	D14/344
D729,675 S *	5/2015	Behar	D10/103
D729,681 S *	5/2015	Lee	D14/344
D759,958 S	6/2016	Requa		
D767,436 S *	9/2016	Goodner	D11/3

D781,852 S *	3/2017	Yu	D14/344
D784,177 S *	4/2017	Kaiser	D11/2
D795,863 S *	8/2017	Park	D14/344
D810,604 S *	2/2018	Ross	D11/4
D845,812 S *	4/2019	Green	D11/3
D864,011 S *	10/2019	Moon	D10/104.2
D939,995 S *	1/2022	Kim	D11/3
D951,124 S *	5/2022	Deng	D10/32
D966,114 S *	10/2022	Qu	D14/344
2010/0069848 A1 *	3/2010	Alferness	A61M 5/14248 604/179
2012/0234043 A1 *	9/2012	Guerrero, II	A44C 5/0007 63/3.1
2022/0322796 A1 *	10/2022	Govea Suarez	A44C 5/145

* cited by examiner

Primary Examiner — Melanie Pellegrini

(74) *Attorney, Agent, or Firm* — Rumit Ranjit Kanakia

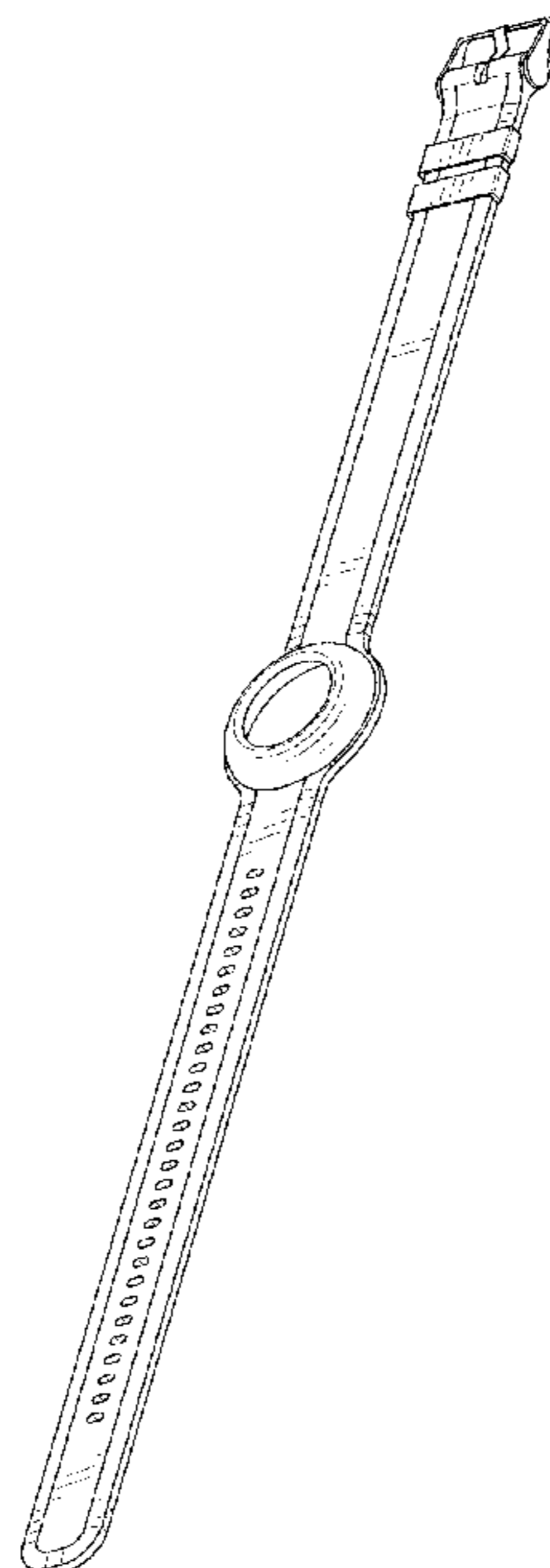
(57) **CLAIM**

The ornamental design for a sensor cover armband, as shown and described.

DESCRIPTION

FIG. 1 is a first perspective view of a sensor cover armband showing my new design;
FIG. 2 is a second perspective view thereof;
FIG. 3 is a front view thereof;
FIG. 4 is a back view thereof;
FIG. 5 is a left side view thereof;
FIG. 6 is a right side view thereof;
FIG. 7 is a top view thereof;
FIG. 8 is a bottom view thereof; and,
FIG. 9 is a perspective view of the using state of the sensor cover armband thereof.
The broken lines shown in drawing FIG. 9 depict environment and form no part of the claimed design.

1 Claim, 9 Drawing Sheets



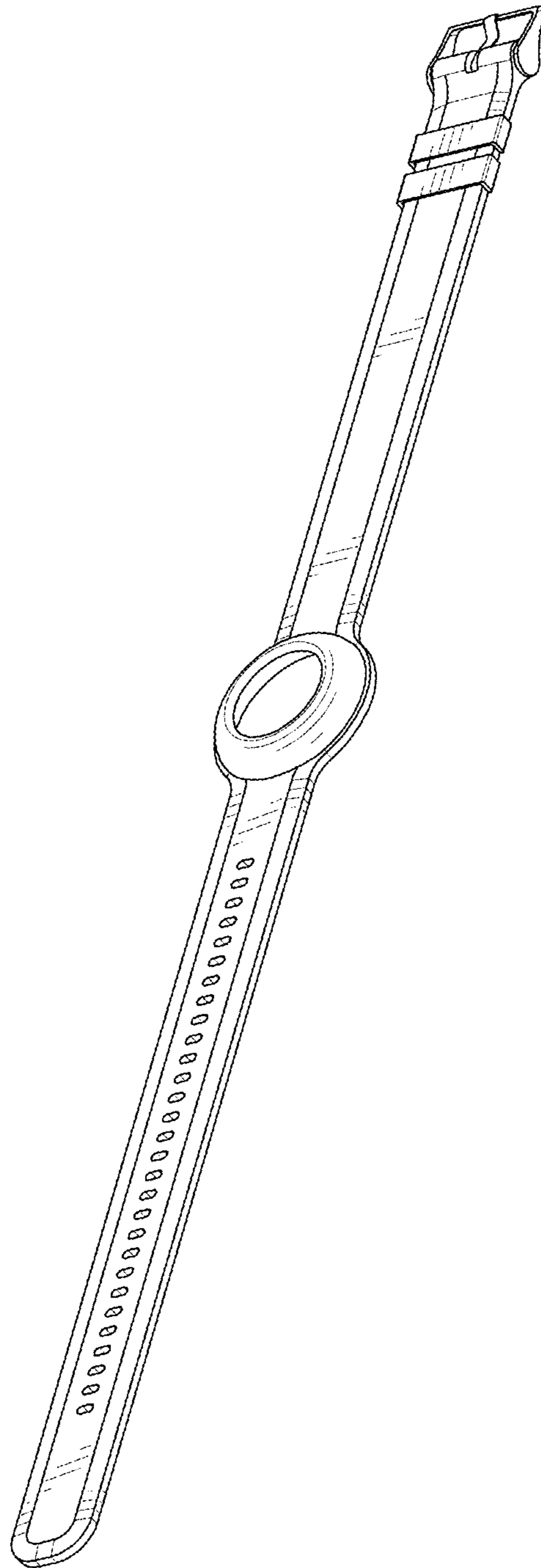


FIG. 1

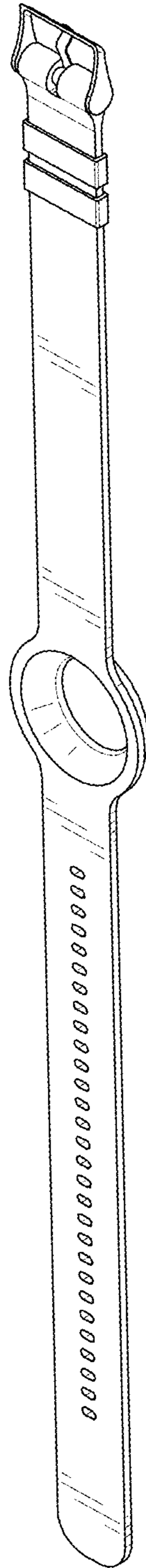


FIG. 2

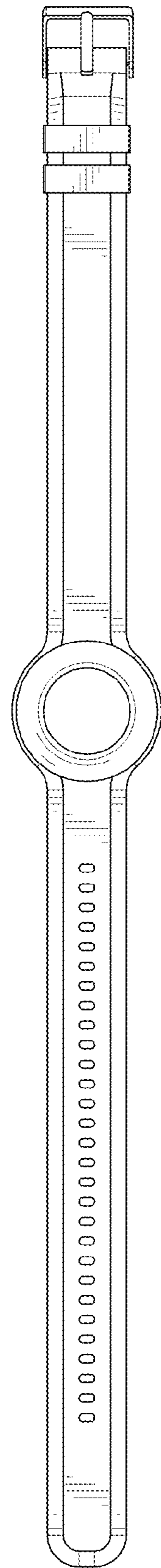


FIG. 3

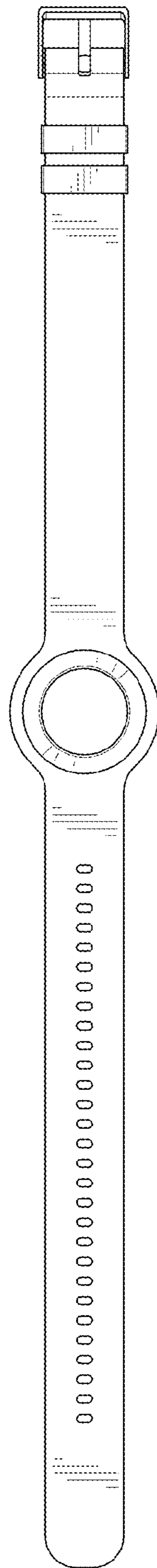


FIG. 4

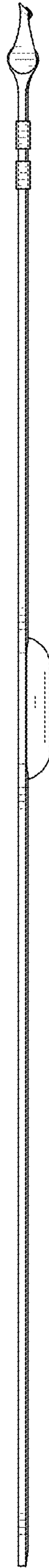


FIG. 5

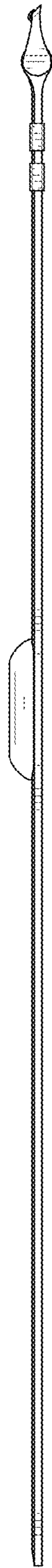


FIG. 6

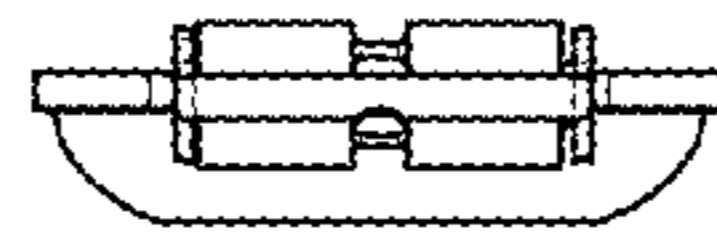


FIG. 7

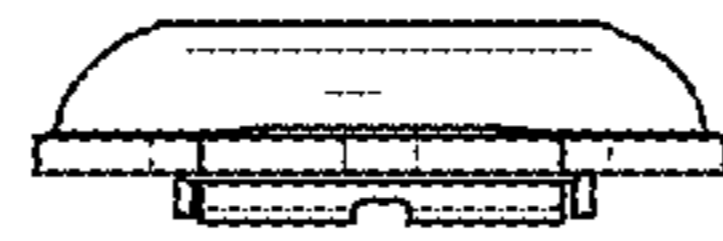


FIG. 8

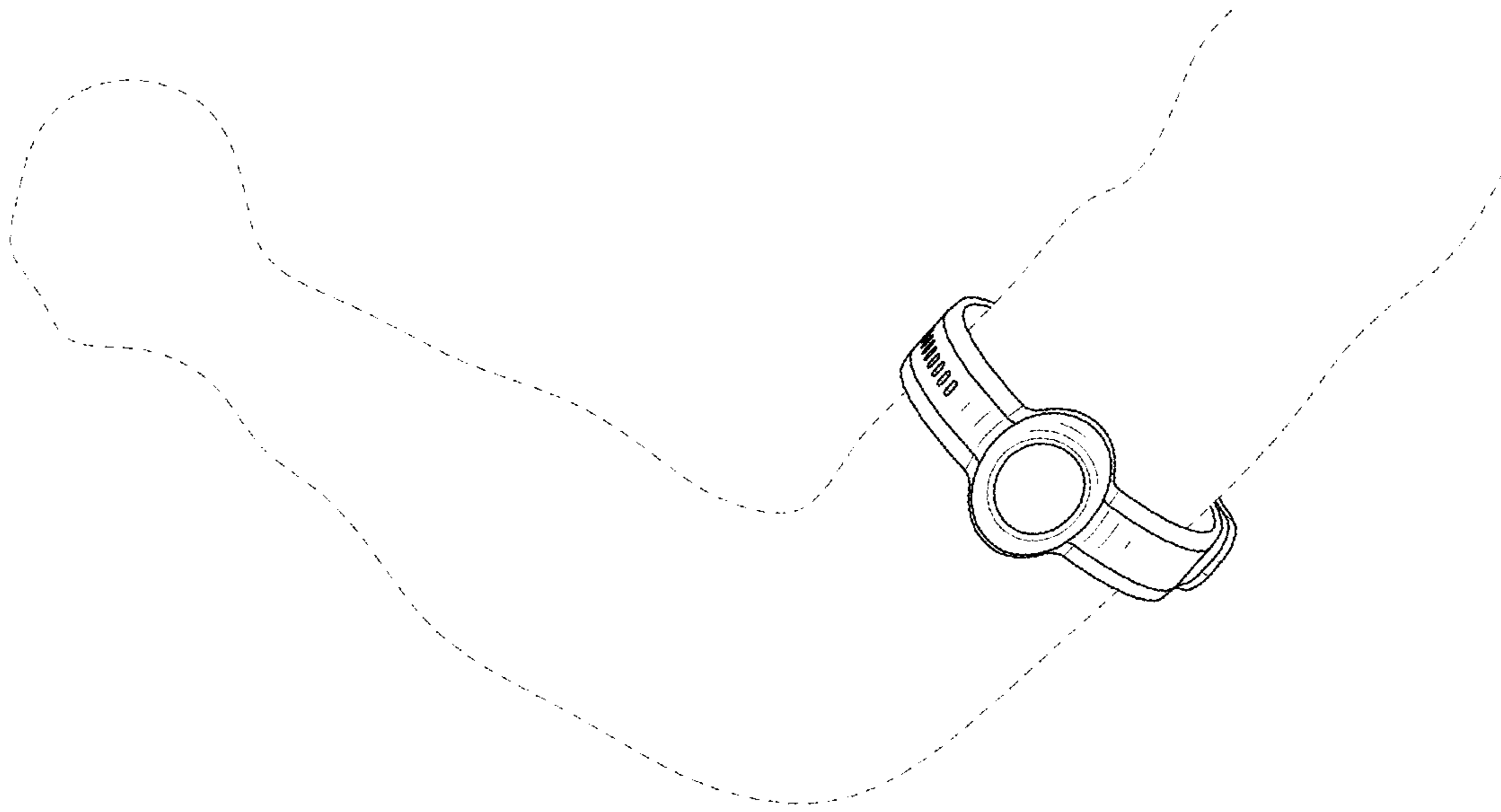


FIG. 9